



US00D467053S

(12) **United States Design Patent**  
**Comtois**

(10) **Patent No.:** **US D467,053 S**

(45) **Date of Patent:** **\*\* Dec. 10, 2002**

(54) **CONVERTIBLE PALLET**

(75) Inventor: **Jean-Sebastien Comtois**, Raleigh, NC  
(US)

(73) Assignee: **Induspac Packaging Group**, Durham,  
NC (US)

(\*\*) Term: **14 Years**

(21) Appl. No.: **29/136,656**

(22) Filed: **Feb. 5, 2001**

(51) **LOC (7) Cl.** ..... **09-08**

(52) **U.S. Cl.** ..... **D34/38**

(58) **Field of Search** ..... D34/38, 12-27;  
108/53.1, 51.1, 53.5, 52.1, 55.3, 56.1, 57.1;  
248/346; 280/47.34

(56) **References Cited**

**U.S. PATENT DOCUMENTS**

D199,898 S	*	12/1964	De Pew et al.	.....	D34/38
3,208,768 A	*	9/1965	Hulbert	.....	108/51.1
D221,633 S	*	8/1971	Kotkowski	.....	D34/12
D231,730 S	*	6/1974	Lee	.....	D34/12
4,014,560 A	*	3/1977	Hughes	.....	108/53.1
4,720,115 A	*	1/1988	Rehrig	.....	108/56.1
D337,406 S	*	7/1993	Herring et al.	.....	D34/38
D370,757 S	*	6/1996	Loftus et al.	.....	D34/23

D395,533 S	*	6/1998	Morison et al.	.....	D34/38
5,921,566 A	*	7/1999	Kern et al.	.....	280/47.34
D420,188 S	*	2/2000	Betcher	.....	D34/23
D427,406 S	*	6/2000	Hartwell	.....	D34/23
6,112,672 A	*	9/2000	Heil	.....	108/55.3
D437,669 S	*	2/2001	Blason et al.	.....	D34/23

\* cited by examiner

*Primary Examiner*—Cynthia E. Ramirez

(74) *Attorney, Agent, or Firm*—Carter & Schnedler

(57) **CLAIM**

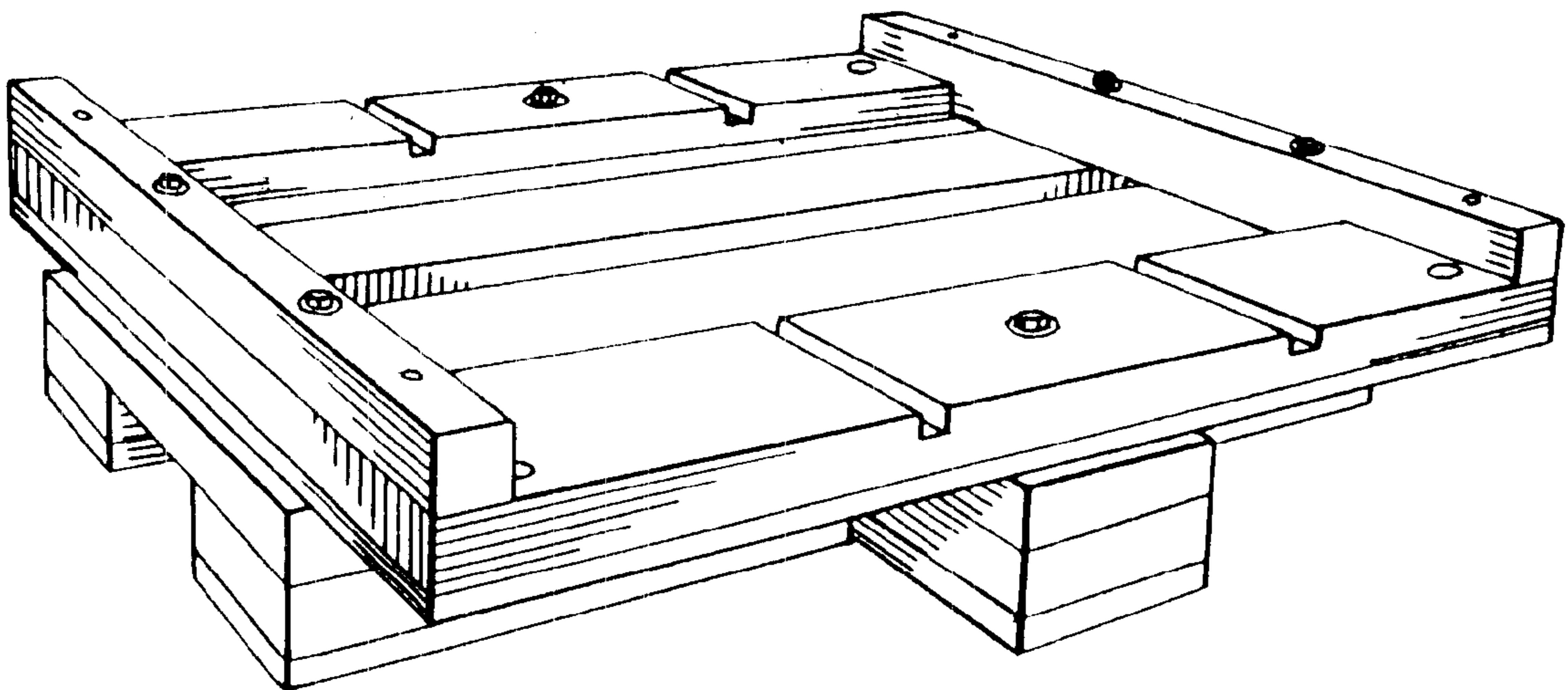
The ornamental design for a convertible pallet, as shown and described.

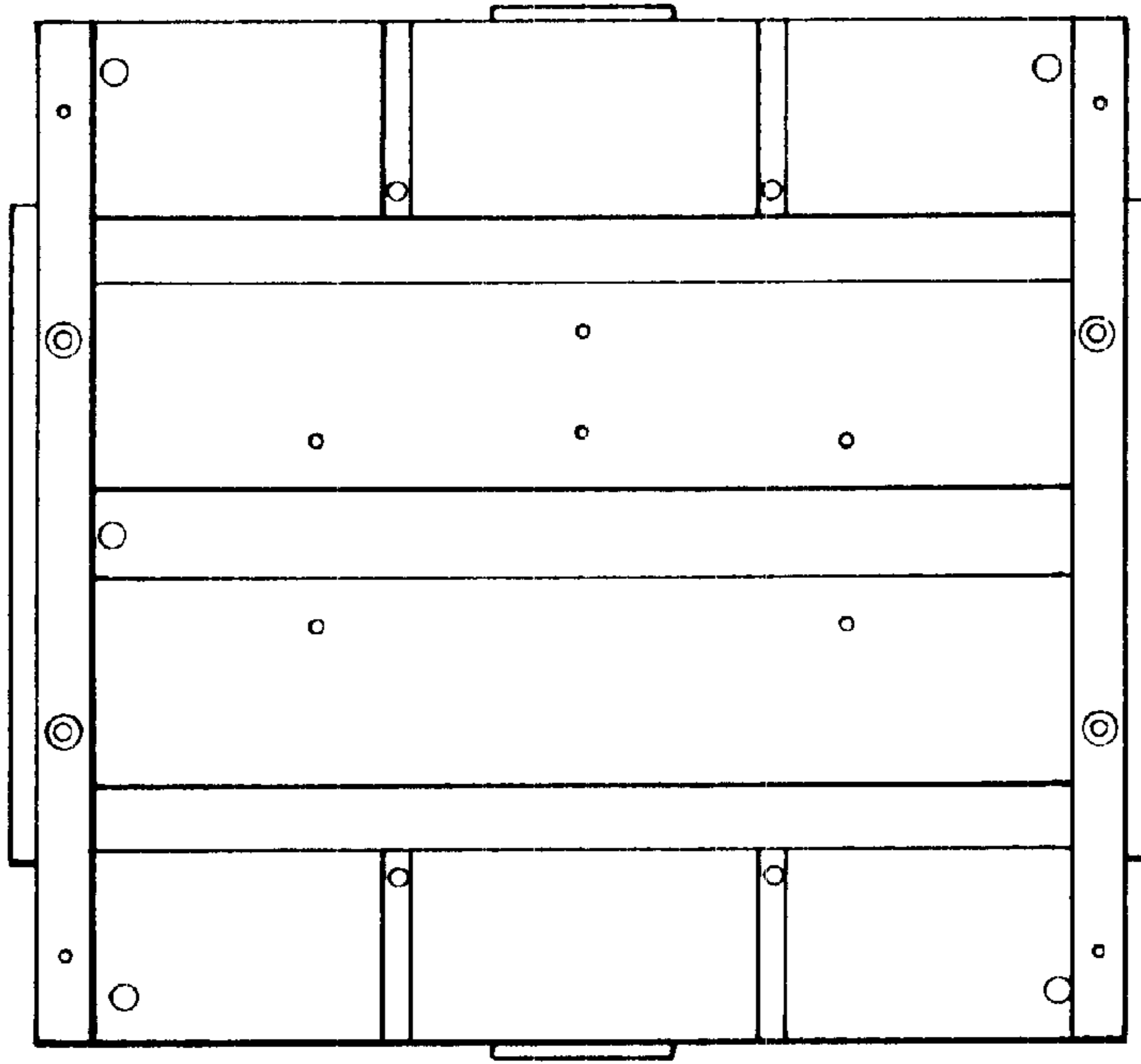
**DESCRIPTION**

FIG. 1 is a top view of the pallet;  
FIG. 2 is a side end view of the pallet, opposed sides being identical;  
FIG. 3 is a front end view of the pallet, the rear end view being identical;  
FIG. 4 is a perspective view of the convertible pallet; and,  
FIG. 5 is a perspective view of the design of FIG. 4 wherein wheels are shown in phantom in the four corners of the pallet.

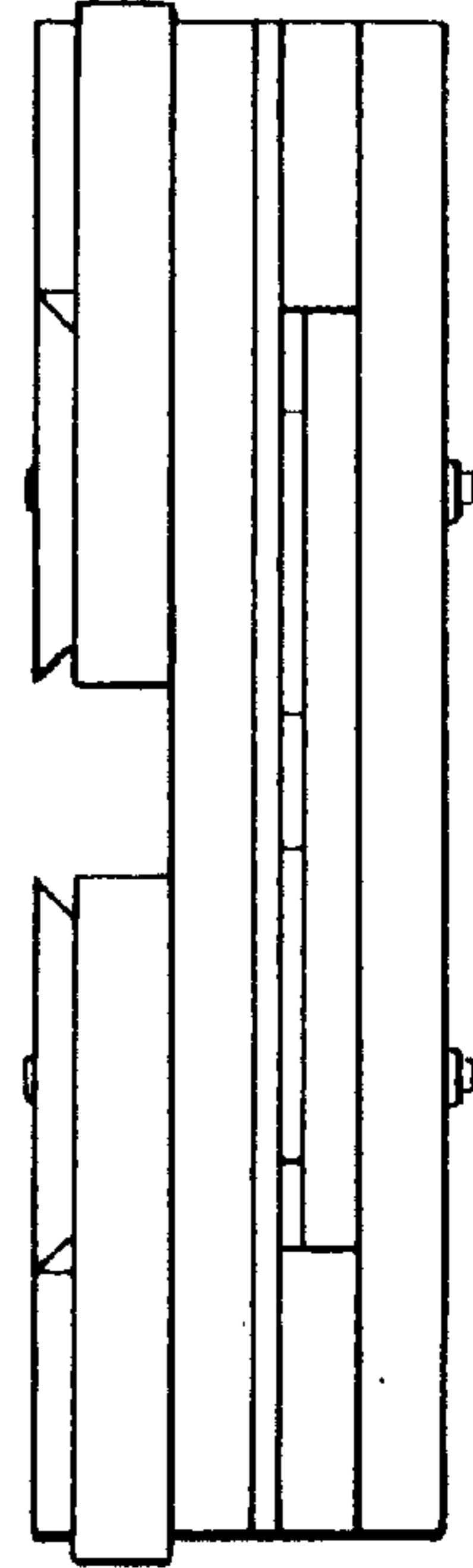
The broken lines shown in FIG. 5 are for illustrative purposes only and form no part of the claimed design.

**1 Claim, 2 Drawing Sheets**

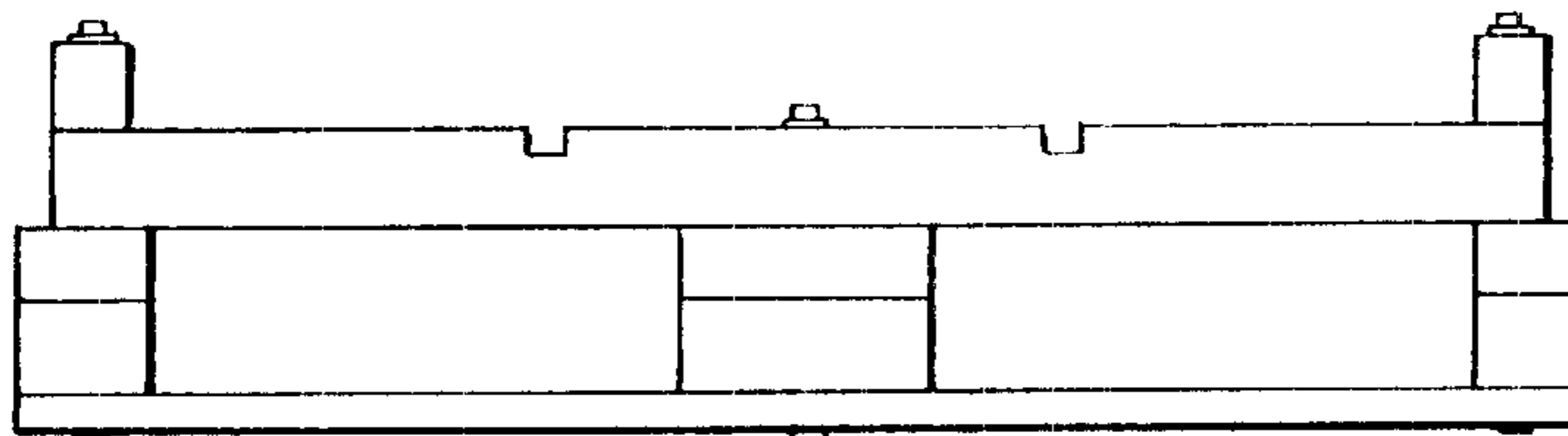




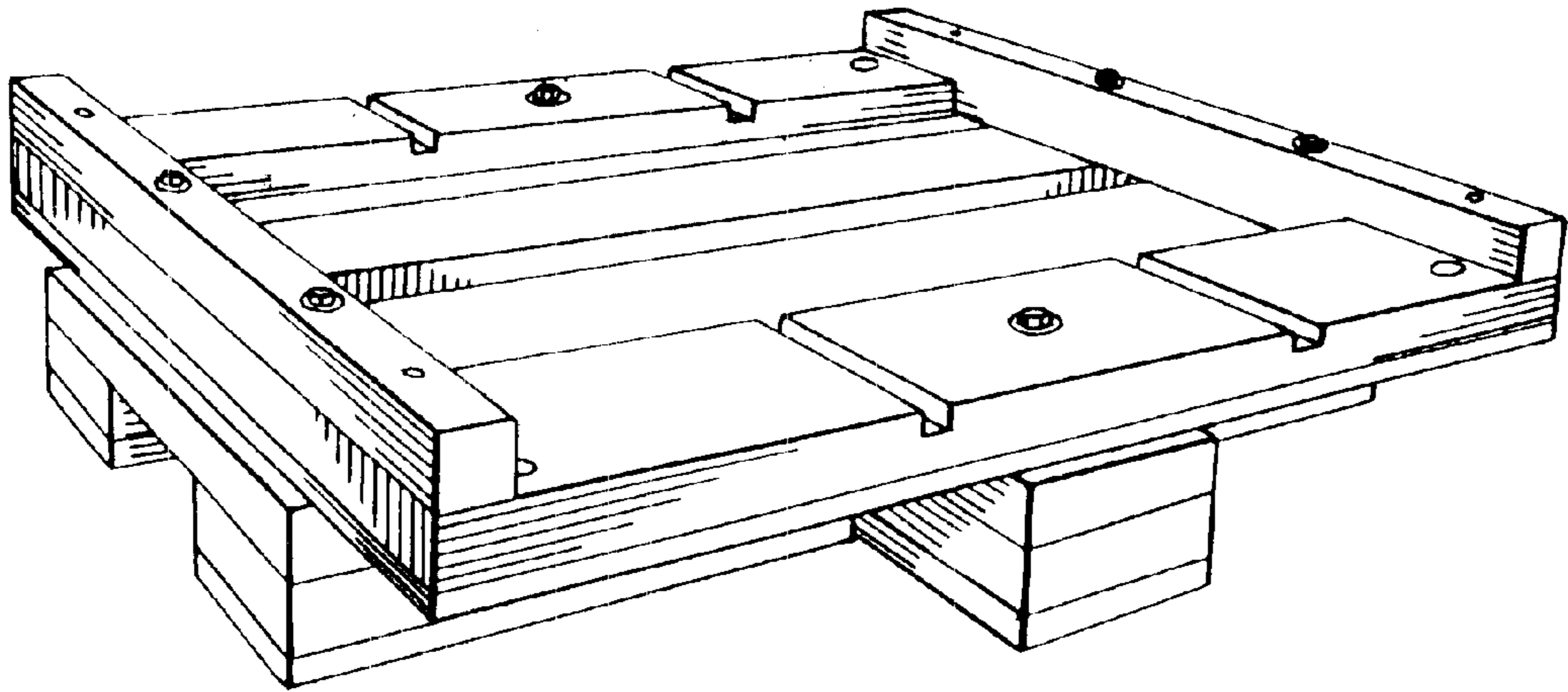
*Fig. 1*



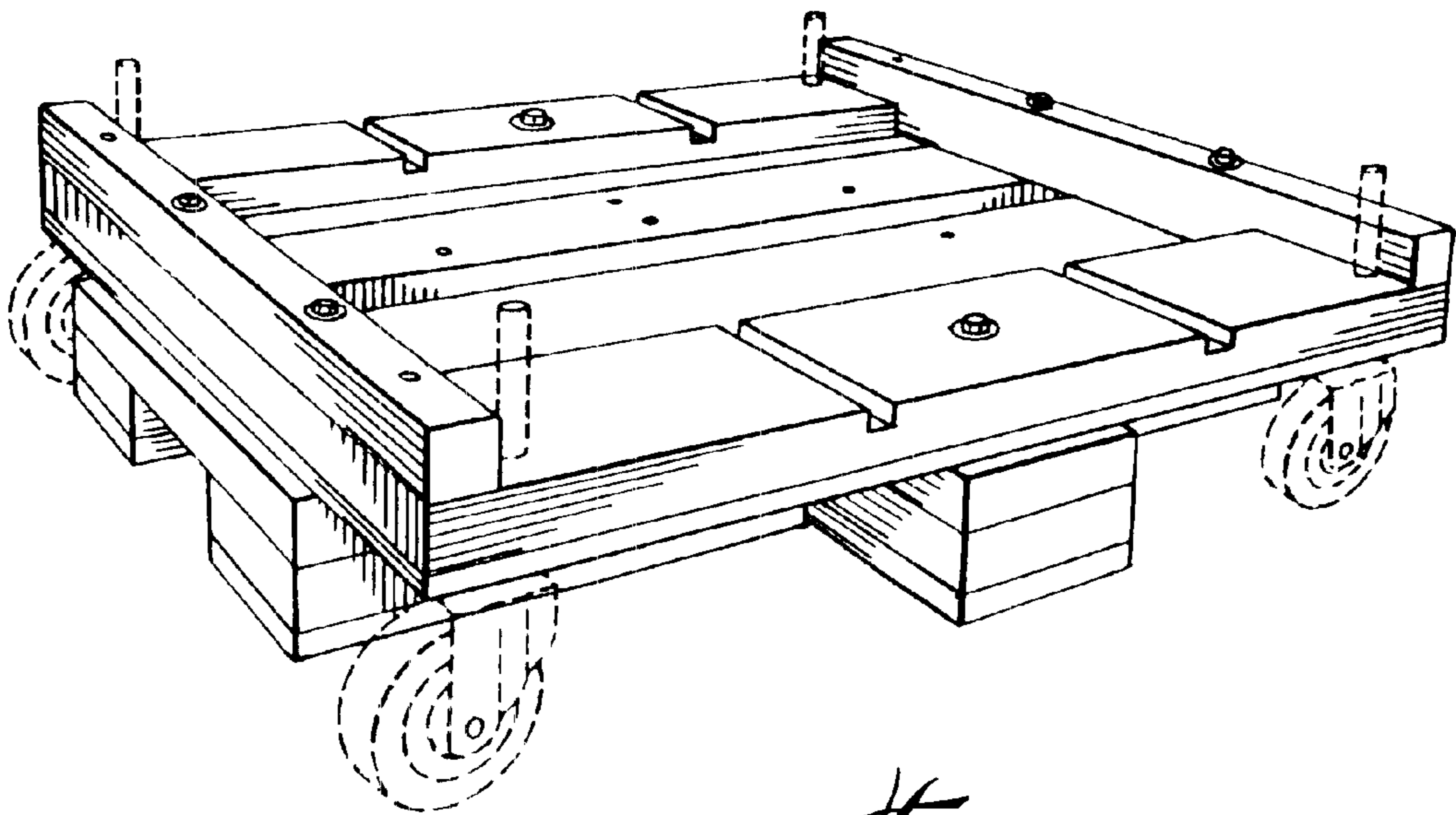
*Fig. 2*



*Fig. 3*



*Fig. 4*



*Fig. 5*