



US00D467051S

(12) **United States Design Patent**
Marbury

(10) **Patent No.:** **US D467,051 S**

(45) **Date of Patent:** **** Dec. 10, 2002**

(54) **BATTERY OPERATED IRON AND RECHARGING BASE**

(76) Inventor: **Yvonne L Marbury**, 2336 Fairfield Ave. #65, Fairfield, CA (US) 94533

(**) Term: **14 Years**

(21) Appl. No.: **29/144,307**

(22) Filed: **Jun. 29, 2001**

(51) **LOC (7) Cl.** **07-05**

(52) **U.S. Cl.** **D32/69**

(58) **Field of Search** D32/68-73; 38/74-75, 38/77.1, 77.2, 77.5, 77.6, 77.7, 77.9, 79, 96, 142; 219/245-248, 252, 254, 256, 257, 259

(56) **References Cited**

U.S. PATENT DOCUMENTS

D155,666	S	*	10/1949	Wilson	D32/69
2,864,186	A	*	12/1958	Praud	38/77.6
4,354,092	A		10/1982	Manabe et al.		
4,650,268	A		3/1987	Dobson et al.		
D299,573	S		1/1989	Gudefin		
4,856,212	A		8/1989	Dikoff		
D313,683	S	*	1/1991	Chen	D32/68
5,039,838	A		8/1991	Ito et al.		
5,074,066	A		12/1991	Sakano et al.		

D323,047	S	*	1/1992	O'Flynn	D32/70
5,120,934	A	*	6/1992	Nakada et al.	219/247
D335,010	S	*	4/1993	Vildosola	D32/68
5,802,749	A		9/1998	Barmntlo et al.		

* cited by examiner

Primary Examiner—Alan P. Douglas

Assistant Examiner—Lavone Tabor

(57) **CLAIM**

The ornamental design for a battery operated iron and recharging base, as shown and described.

DESCRIPTION

FIG. 1 is a front elevational view of the battery operated iron and recharging base of the present invention;
 FIG. 2 is a rear elevational view of the battery operated iron and recharging base of FIG. 1;
 FIG. 3 is a right side elevational view of the battery operated iron and recharging base of FIG. 1;
 FIG. 4 is a left side elevational view of the battery operated iron and recharging base of FIG. 1;
 FIG. 5 is a top plan view of the battery operated iron and recharging base of FIG. 1; and,
 FIG. 6 is a bottom plan view of the battery operated iron and recharging base of FIG. 1.

1 Claim, 3 Drawing Sheets

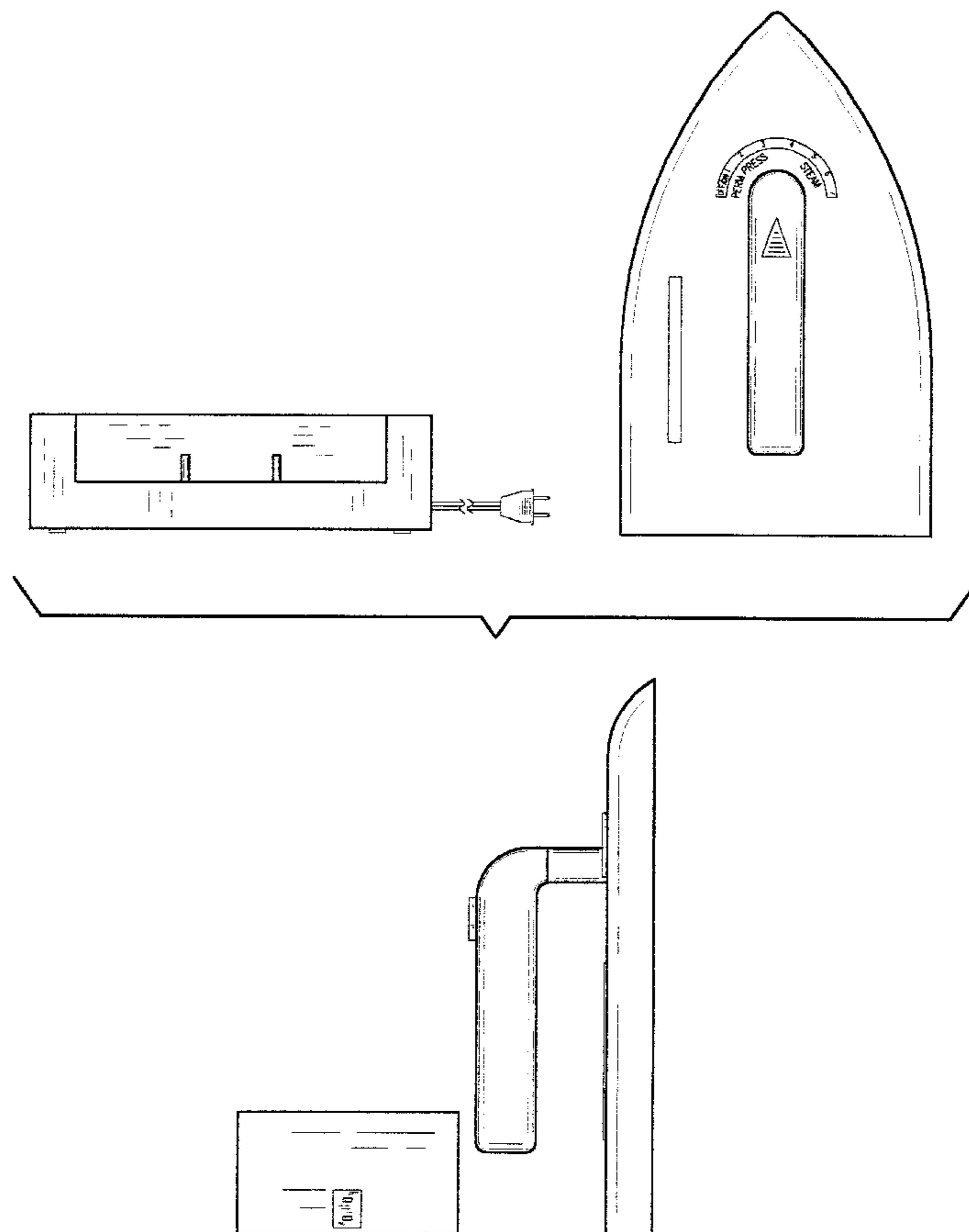


FIG. 1

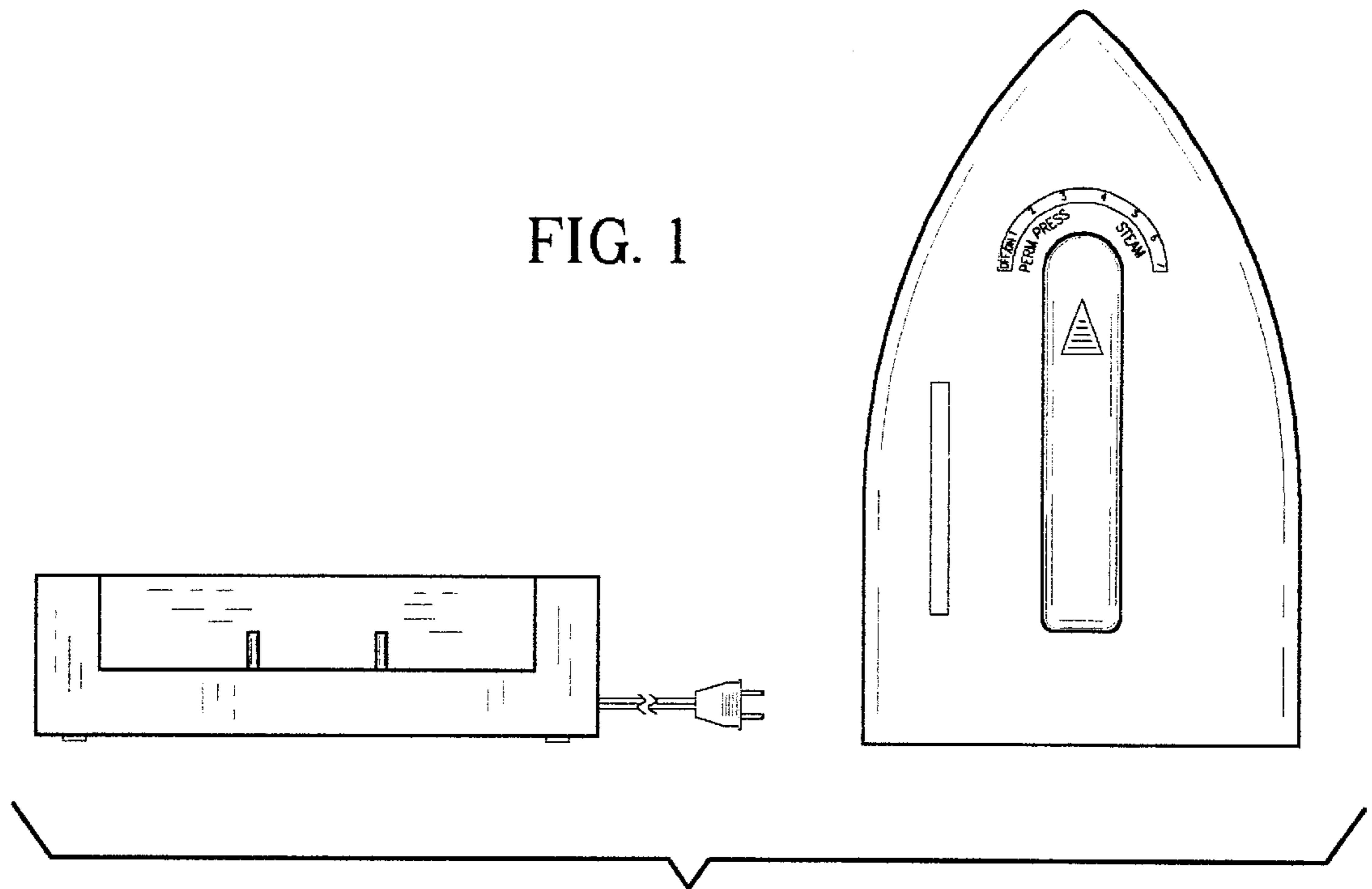
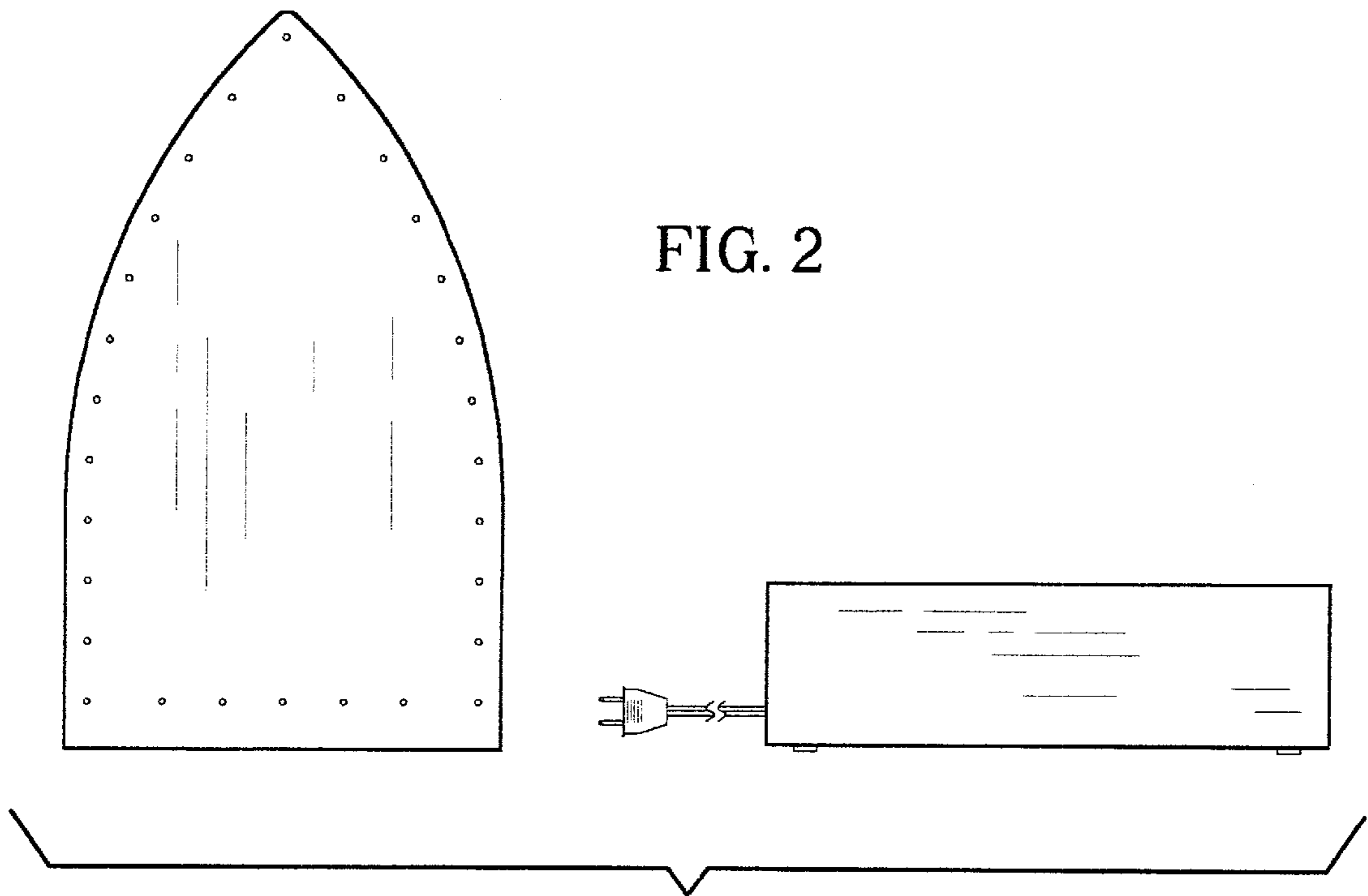


FIG. 2



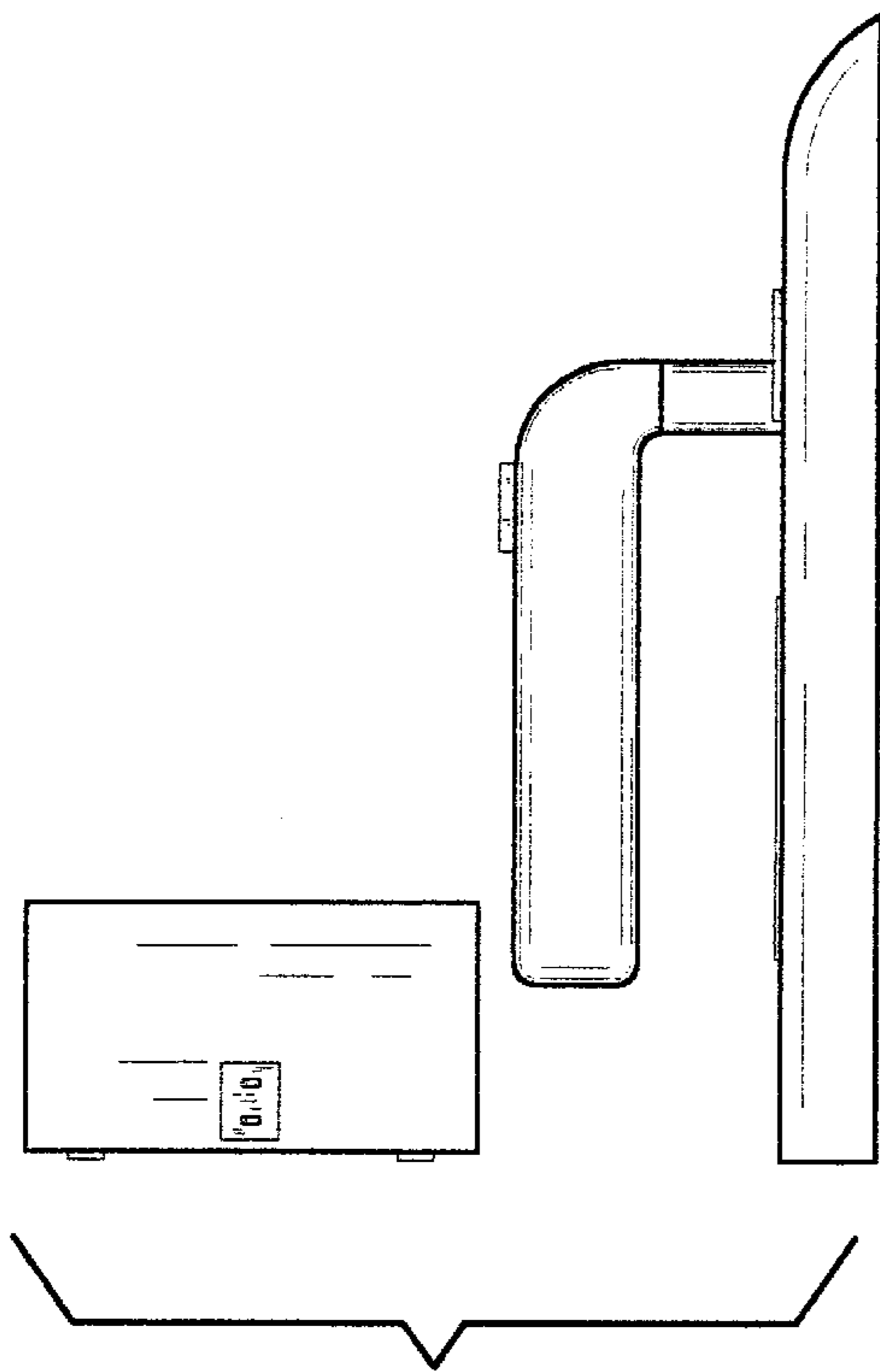


FIG. 3

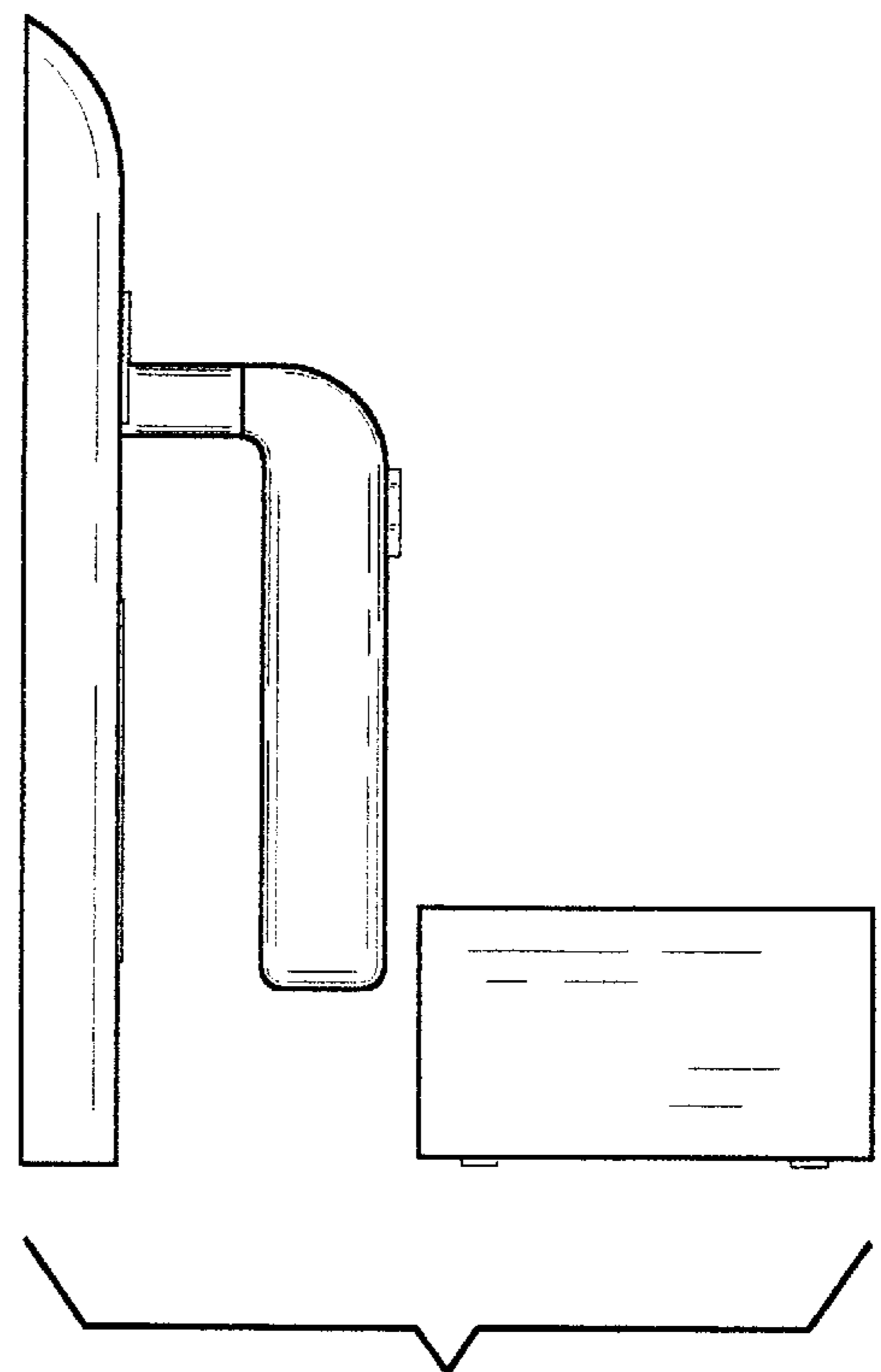


FIG. 4

FIG. 5

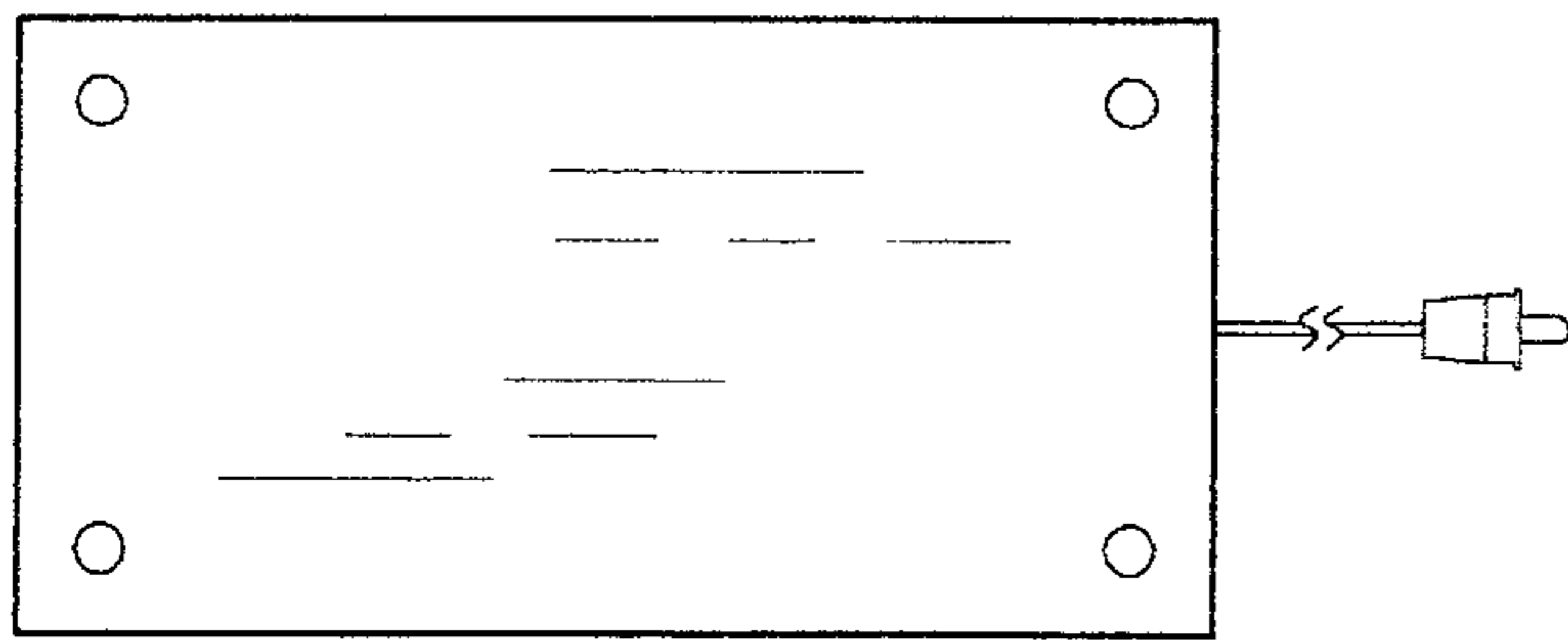
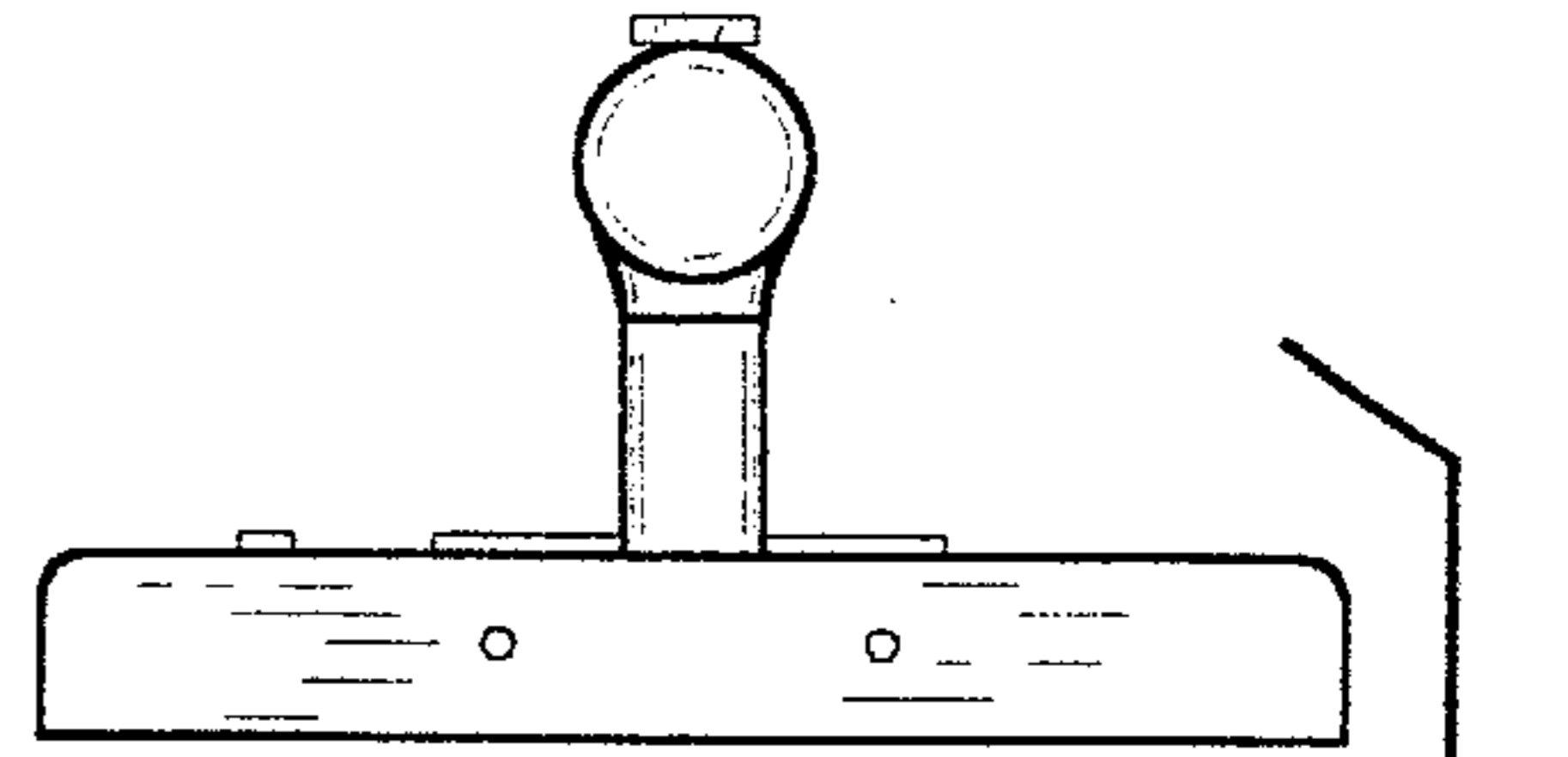
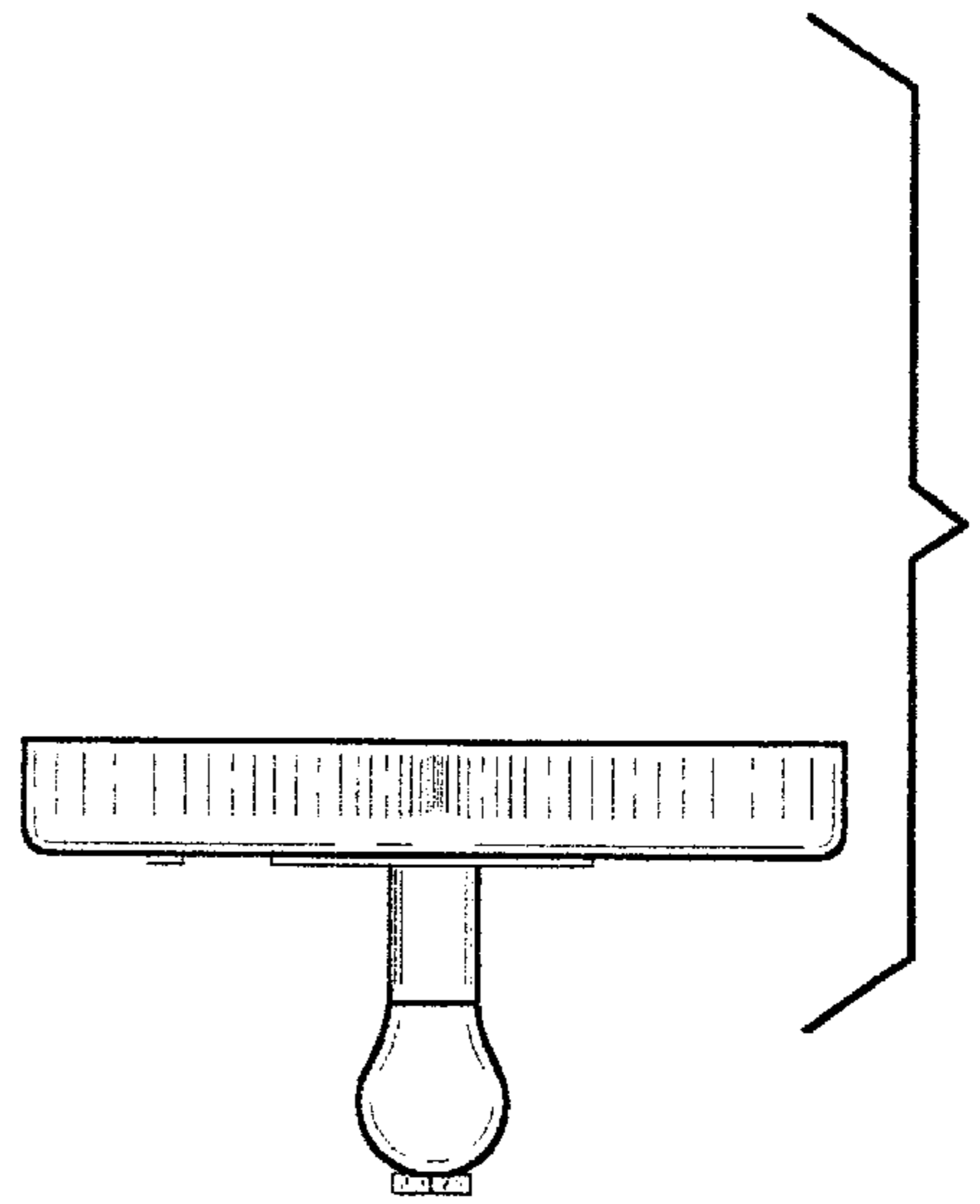
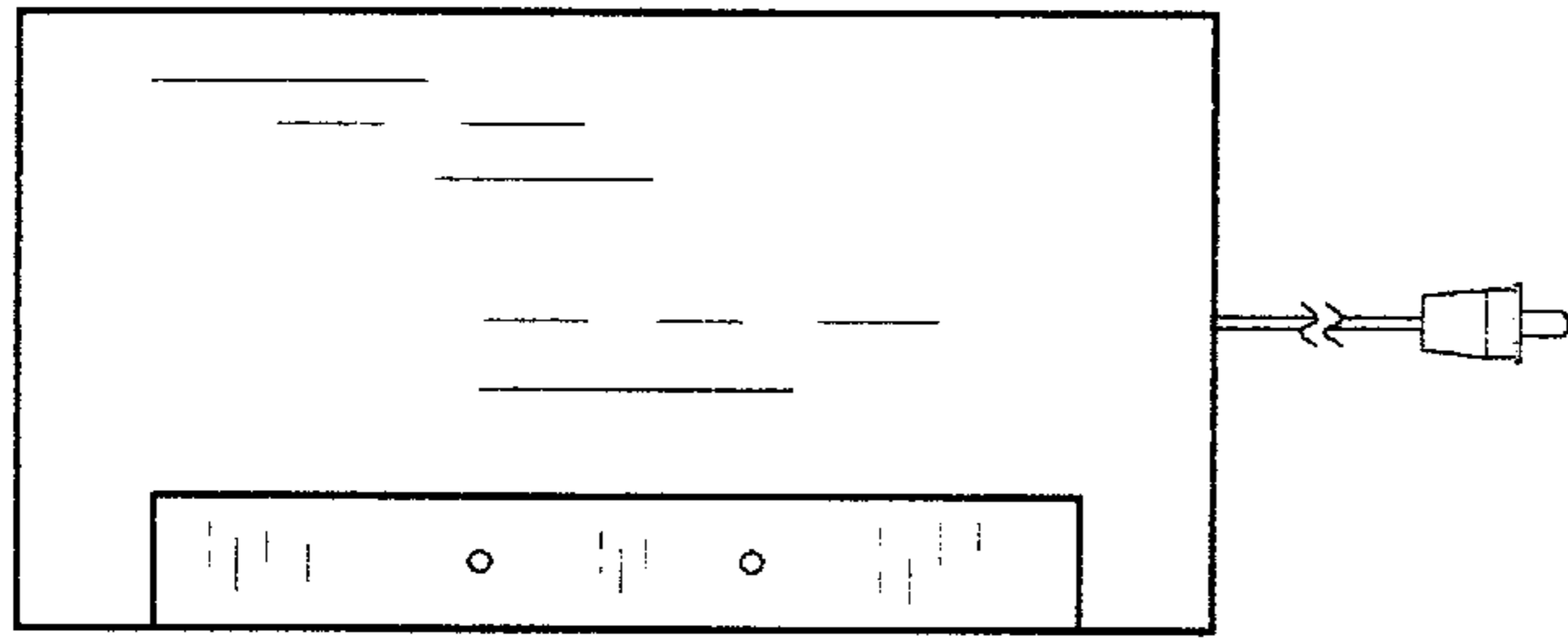


FIG. 6