



US00D467049S

(12) **United States Design Patent**  
**Kohn**

(10) **Patent No.:** **US D467,049 S**

(45) **Date of Patent:** **\*\* Dec. 10, 2002**

(54) **PAINT BUCKET LID**

(76) **Inventor:** **Peter Kohn**, 162-21 Powell Cove Blvd., Queens, NY (US) 11357

(\*\*) **Term:** **14 Years**

(21) **Appl. No.:** **29/157,011**

(22) **Filed:** **Mar. 12, 2002**

(51) **LOC (7) Cl.** ..... **07-07**

(52) **U.S. Cl.** ..... **D32/53.1; D9/449**

(58) **Field of Search** ..... D3/323, 326; D9/435, D9/436, 447, 449, 503, 518; D32/37, 53, 53.1, 54; 220/200, 212, 254.1, 254.3, 254.4, 351, 367.1, 368, 697, 735, 780, 784, 792, 793, 795-798; D34/11

(56) **References Cited**

**U.S. PATENT DOCUMENTS**

- D350,688 S \* 9/1994 Wardell, Jr. .... D9/435
- D382,203 S \* 8/1997 Fonville ..... D9/449
- 5,743,425 A \* 4/1998 Ellis ..... 220/254.2

- 5,791,534 A \* 8/1998 Davis et al. .... 220/697 X
- 6,102,235 A \* 8/2000 Stern et al. .... 220/212
- D456,713 S \* 5/2002 Bried et al. .... D9/449

\* cited by examiner

*Primary Examiner*—Alan P. Douglas

*Assistant Examiner*—Lavone D. Tabor

(74) *Attorney, Agent, or Firm*—Goldstein & Lavas, P.C.

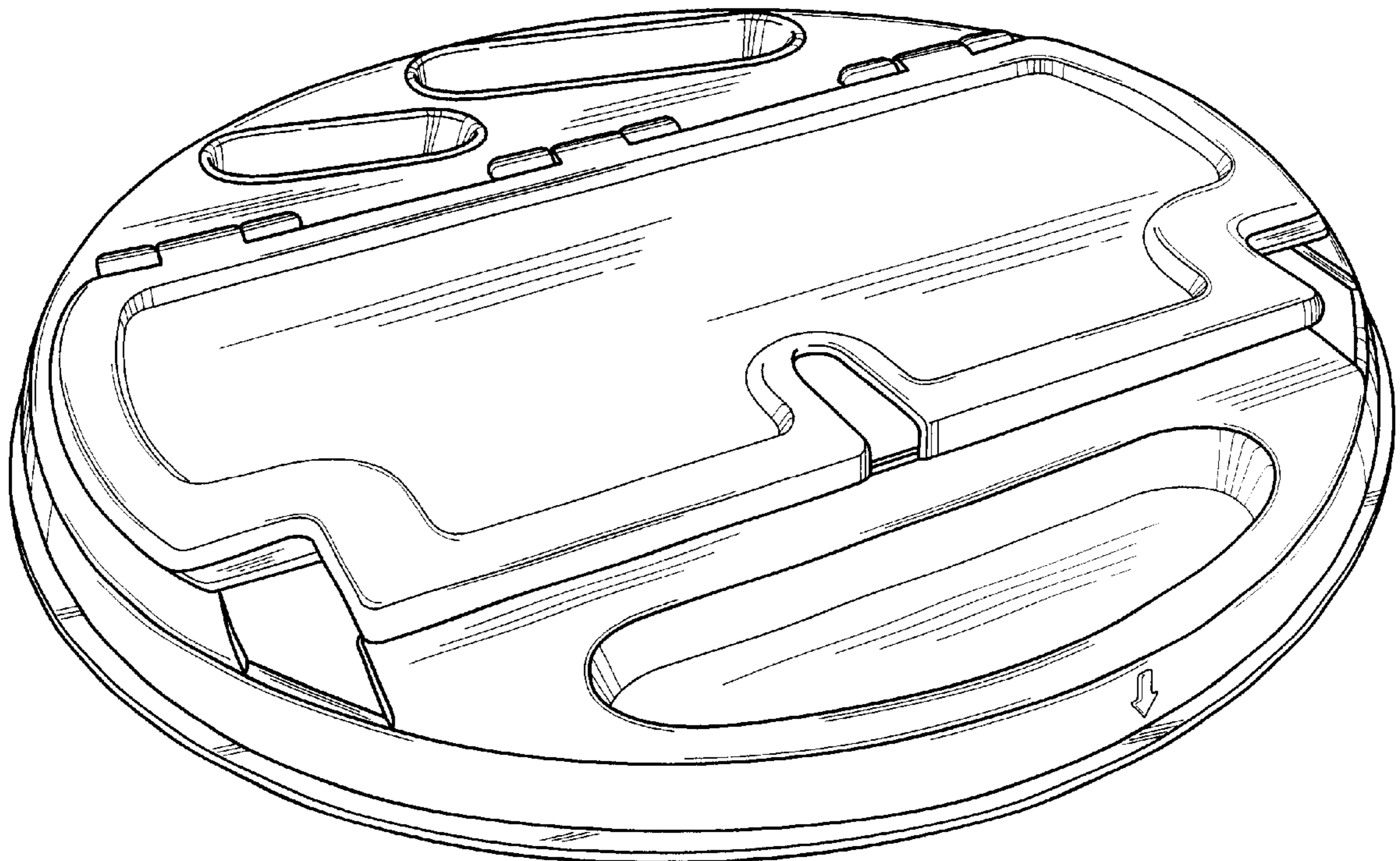
(57) **CLAIM**

The ornamental design for a paint bucket lid, as shown and described.

**DESCRIPTION**

FIG. 1 is a perspective view of a paint bucket lid.  
 FIG. 2 is a reduced front elevational view thereof.  
 FIG. 3 is a reduced rear elevational view thereof.  
 FIG. 4 is a reduced right side elevational view thereof.  
 FIG. 5 is a reduced left side elevational view thereof.  
 FIG. 6 is a reduced top plan view of the paint bucket lid; and,  
 FIG. 7 is a reduced bottom plan view thereof.

**1 Claim, 4 Drawing Sheets**



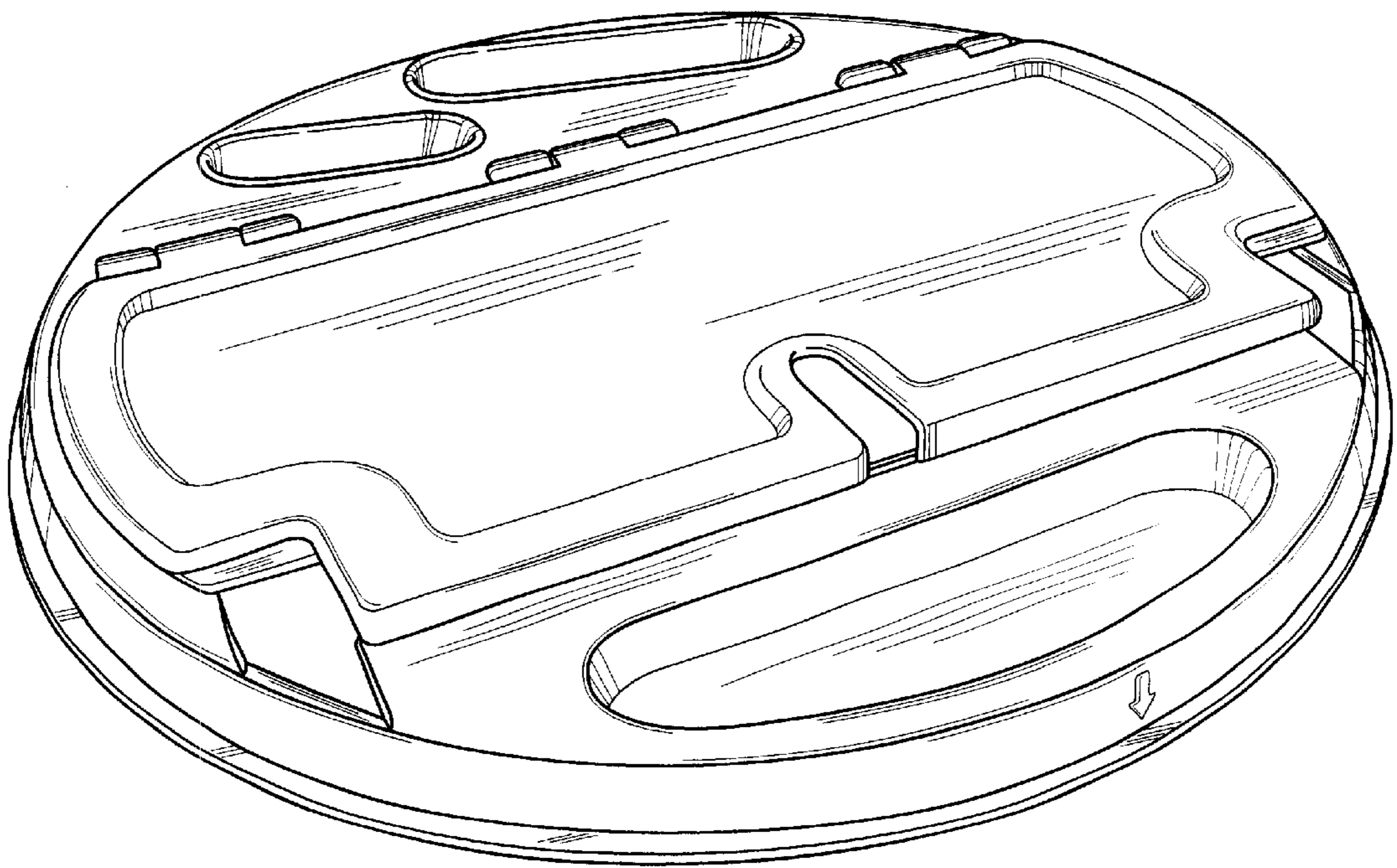


FIG. 1

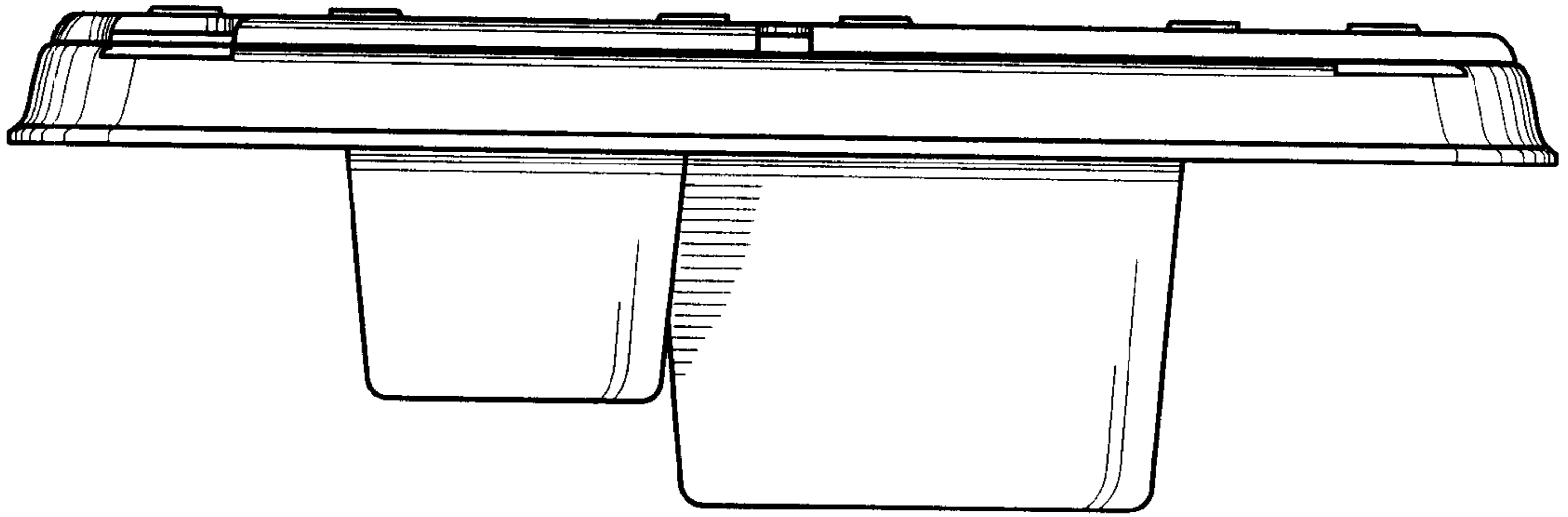


FIG. 2

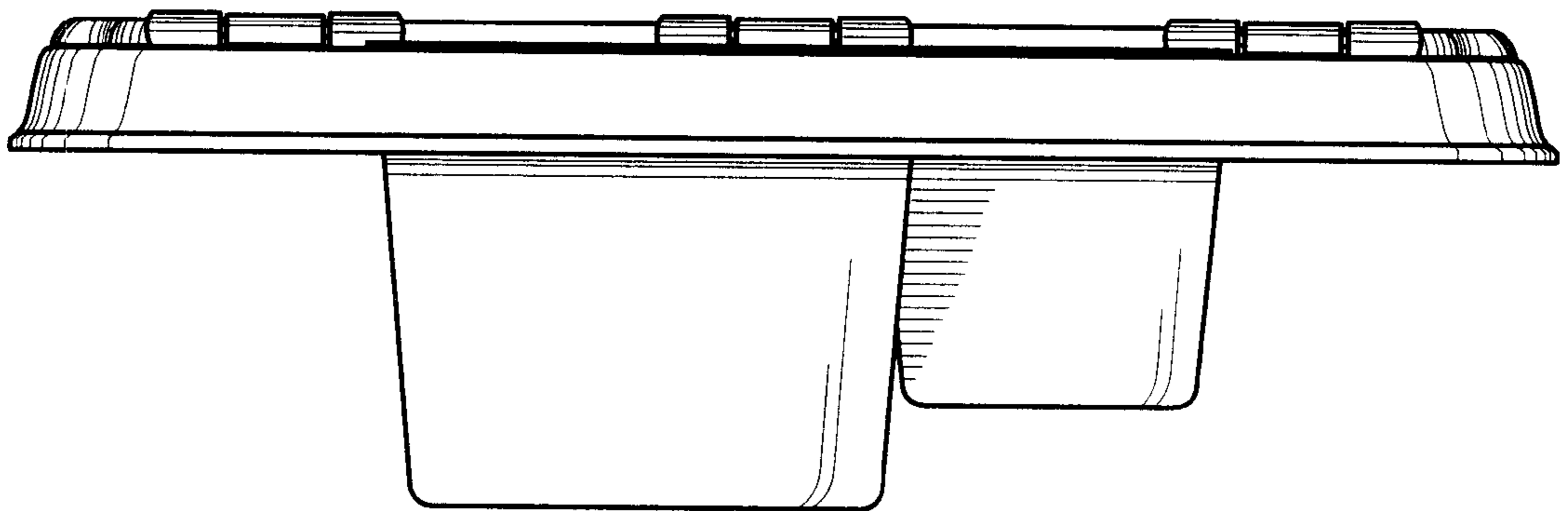


FIG. 3

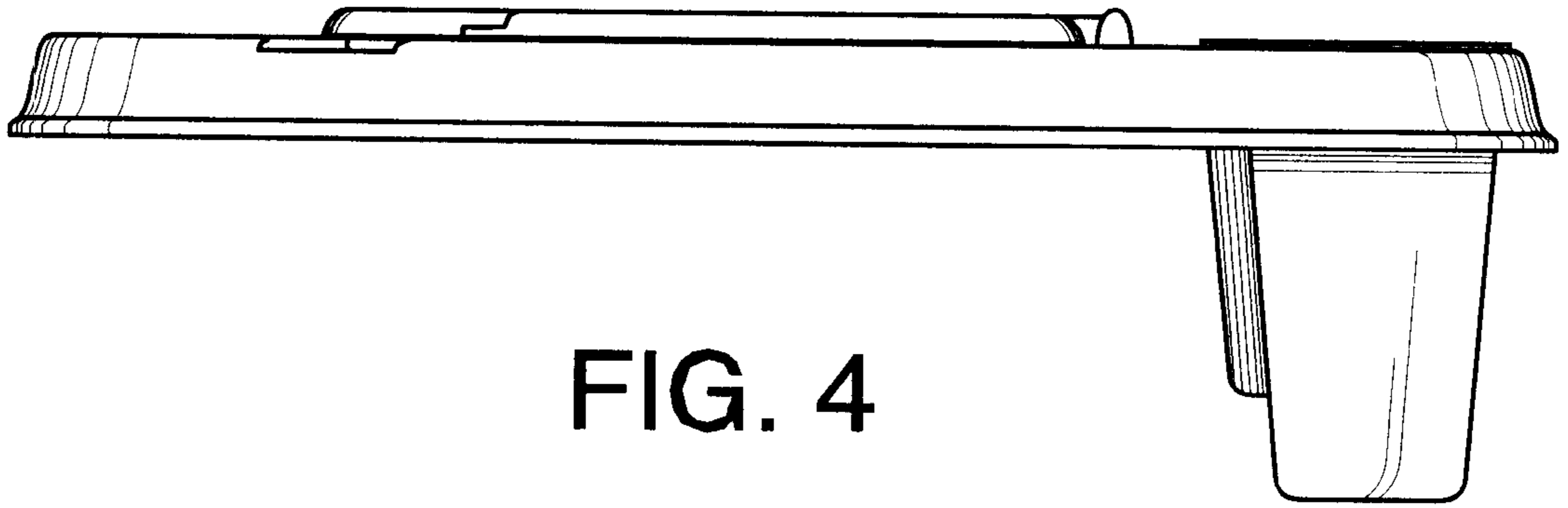


FIG. 4

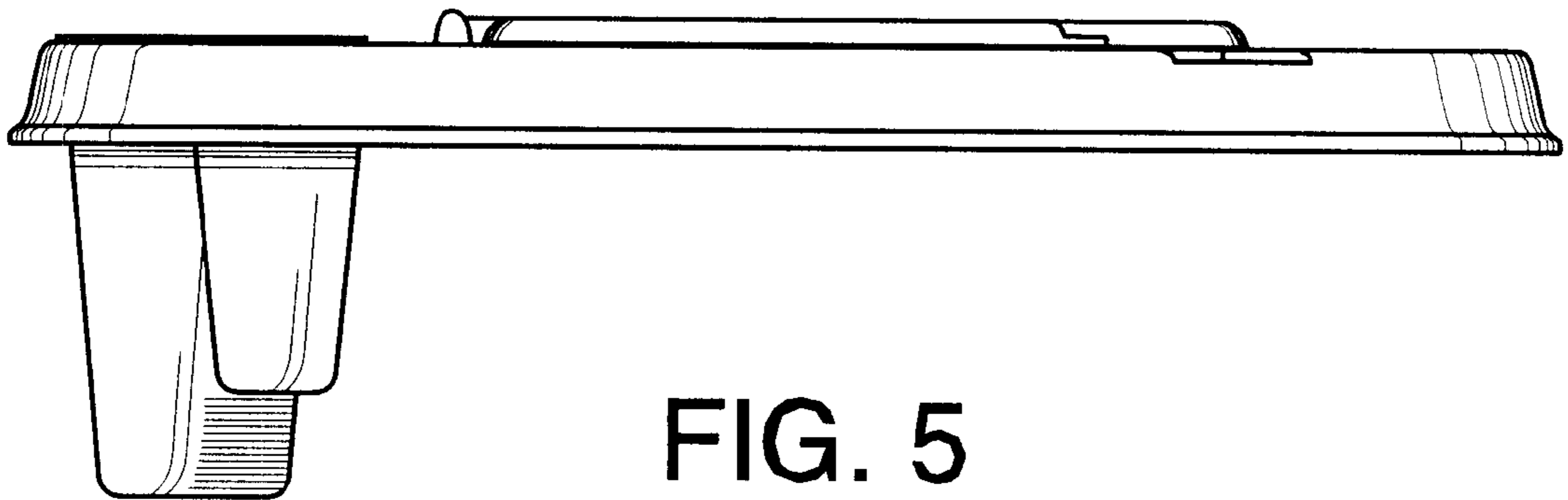


FIG. 5

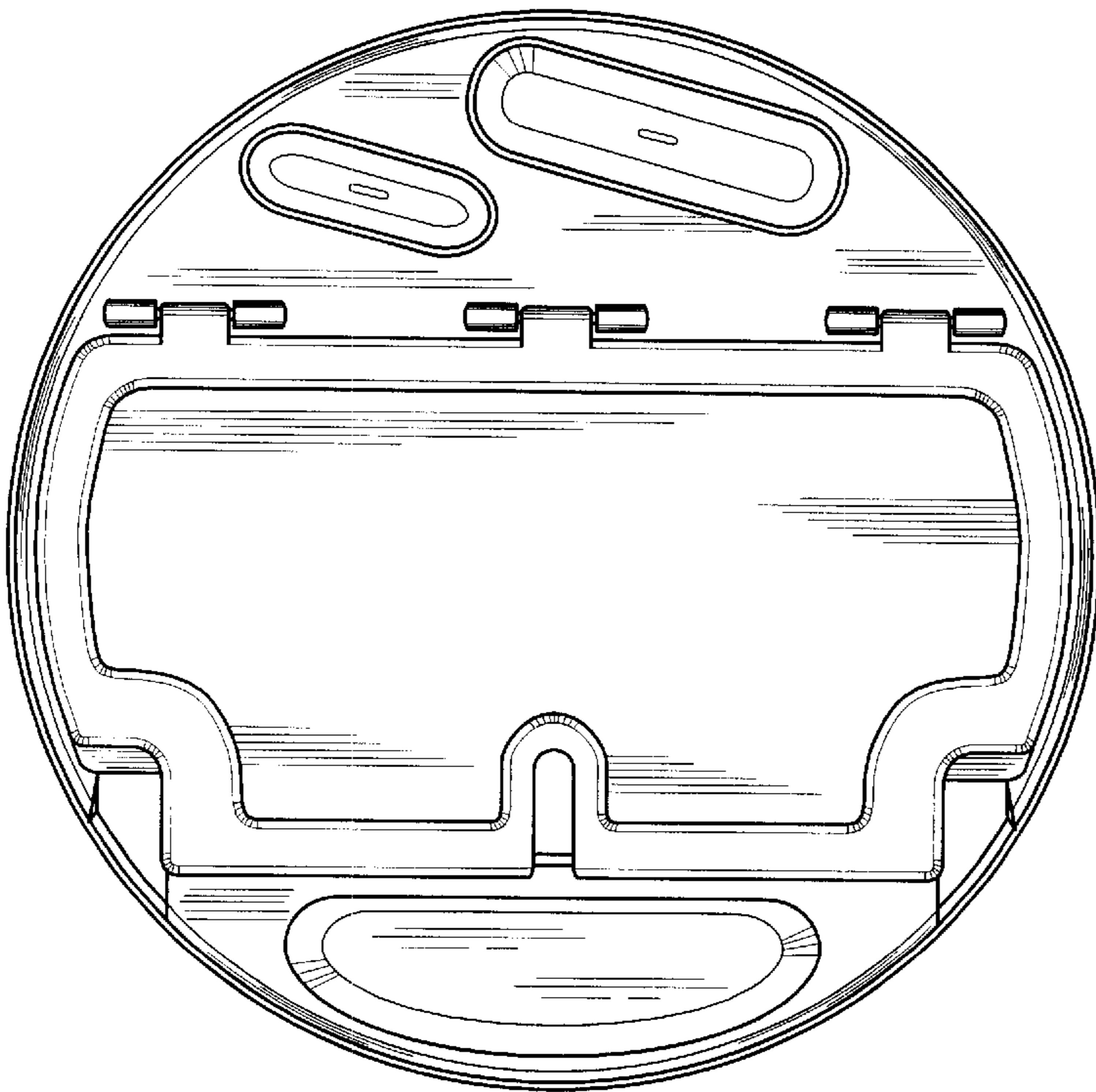


FIG. 6

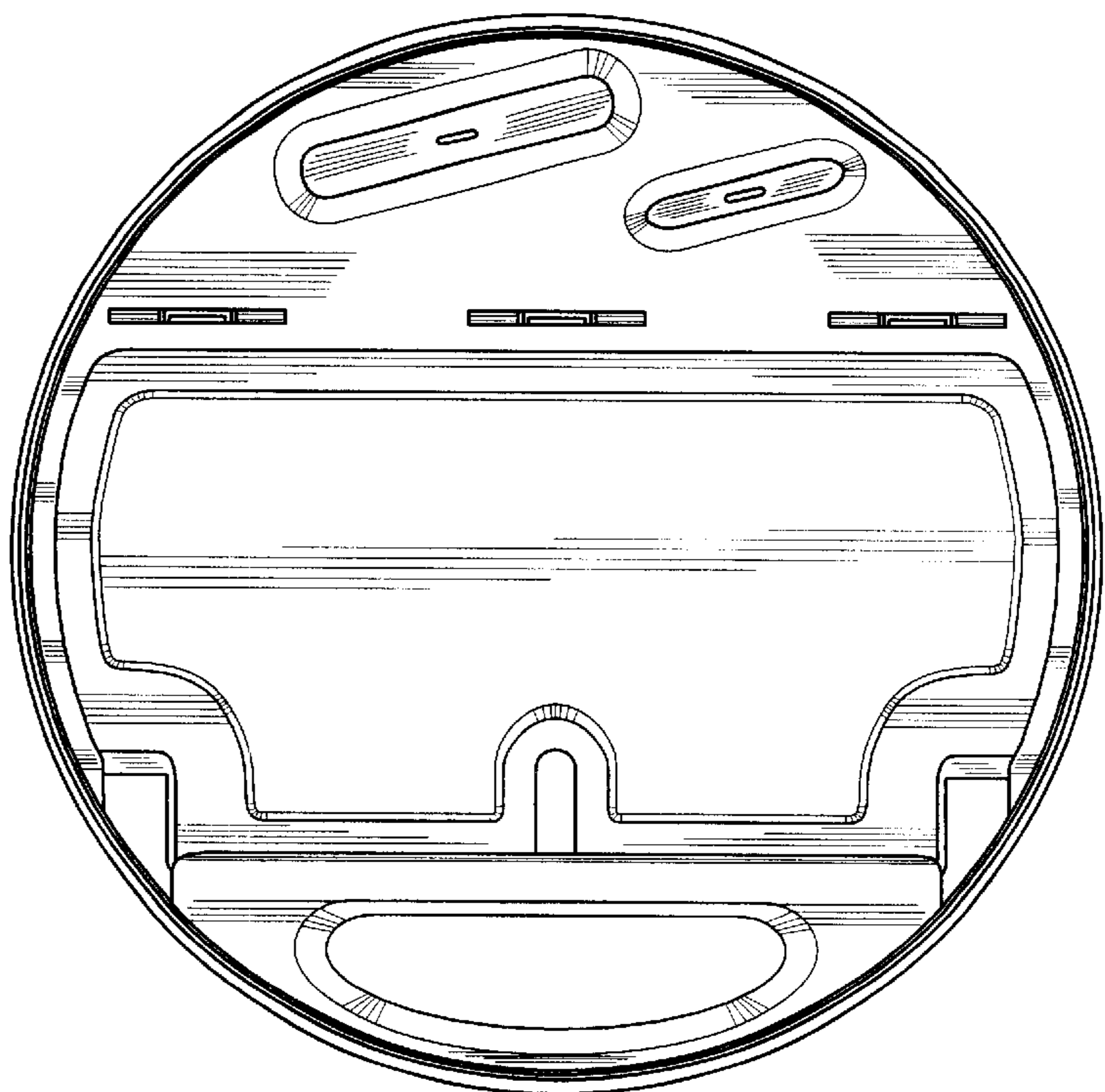


FIG. 7