



US00D467048S

(12) **United States Design Patent**  
**Masaki**

(10) **Patent No.:** **US D467,048 S**

(45) **Date of Patent:** **\*\* Dec. 10, 2002**

(54) **HAND-HELD VACUUM PICK-UP**

(75) Inventor: **Hiroyuki Masaki, Osaka (JP)**

(73) Assignee: **Hakko Corporation, Osaka (JP)**

(\*\*) Term: **14 Years**

(21) Appl. No.: **29/143,445**

(22) Filed: **Jun. 13, 2001**

(51) **LOC (7) Cl.** ..... **15-05**

(52) **U.S. Cl.** ..... **D32/17**

(58) **Field of Search** ..... D32/17-18, 21,  
D32/25, 31; D28/50; D30/158, 199; D8/30;  
15/344, 329, 320, 350, 352, 413, 345, 409,  
32, 341; 132/112; 68/222; 134/172, 198,  
105; 228/4.1, 20.5, 119, 264

(56) **References Cited**

**U.S. PATENT DOCUMENTS**

D206,259 S	*	11/1966	Polatcher	.....	D32/18
D207,977 S	*	6/1967	Kensrue	.....	D8/30
D214,056 S	*	5/1969	Trapainer	.....	D8/30
D218,274 S	*	8/1970	Knowles	.....	D8/30
D228,440 S	*	9/1973	Mestrovic et al.	.....	D8/30
3,921,249 A	*	11/1975	Fortune	.....	15/341
D238,651 S	*	2/1976	Fortune	.....	D8/30
3,965,608 A	*	6/1976	Schuman	.....	43/110

4,178,496 A	*	12/1979	Fortune	.....	219/230
4,528,746 A	*	7/1985	Yoshimura	.....	29/743
D316,316 S	*	4/1991	Yuen	.....	D32/18
5,555,601 A	*	9/1996	Schultz	.....	15/339
5,560,531 A	*	10/1996	Ruszowski	.....	228/19
5,890,646 A	*	4/1999	Tang et al.	.....	228/180.21
5,938,410 A	*	8/1999	Lee	.....	417/234
6,131,791 A	*	10/2000	Masaki	.....	228/4.1

\* cited by examiner

*Primary Examiner*—Ruth McInroy

(74) *Attorney, Agent, or Firm*—Squire, Sanders & Dempsey L.L.P.; David B. Abel

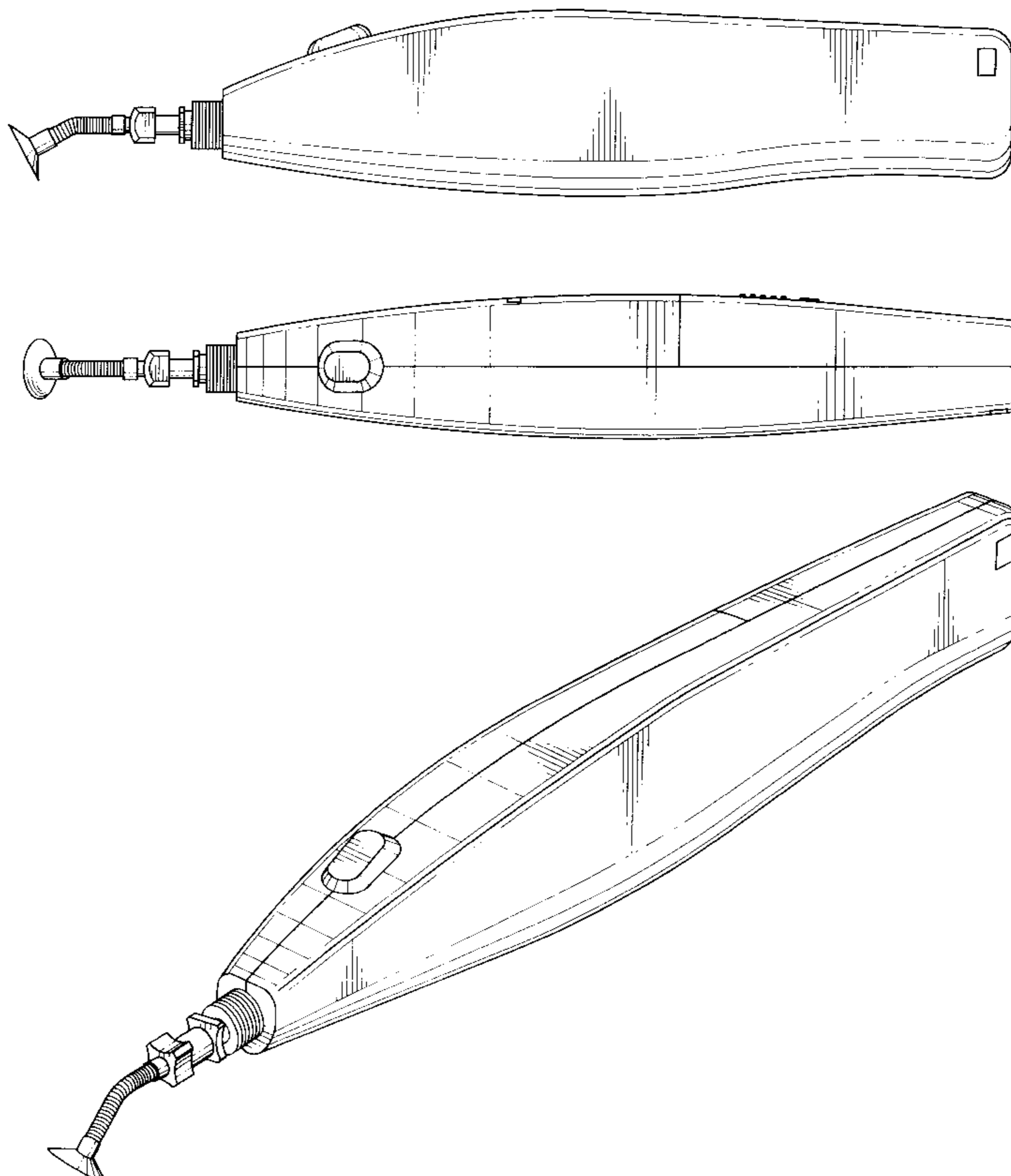
(57) **CLAIM**

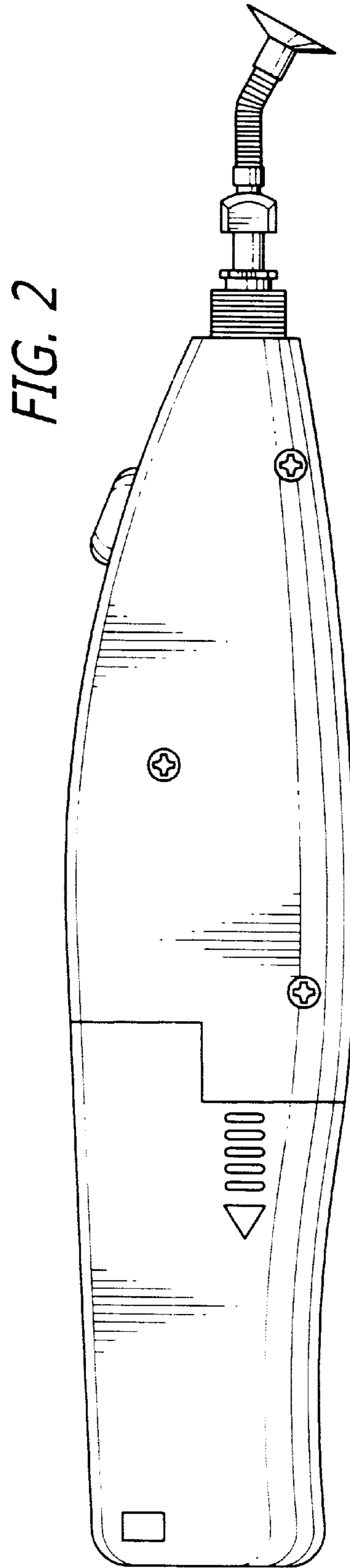
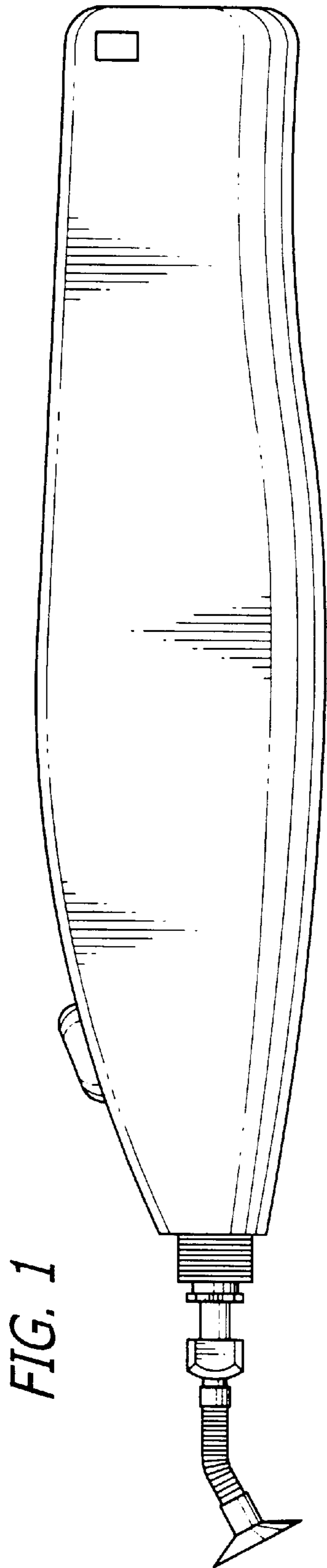
The ornamental design for a hand-held vacuum pick-up, as shown.

**DESCRIPTION**

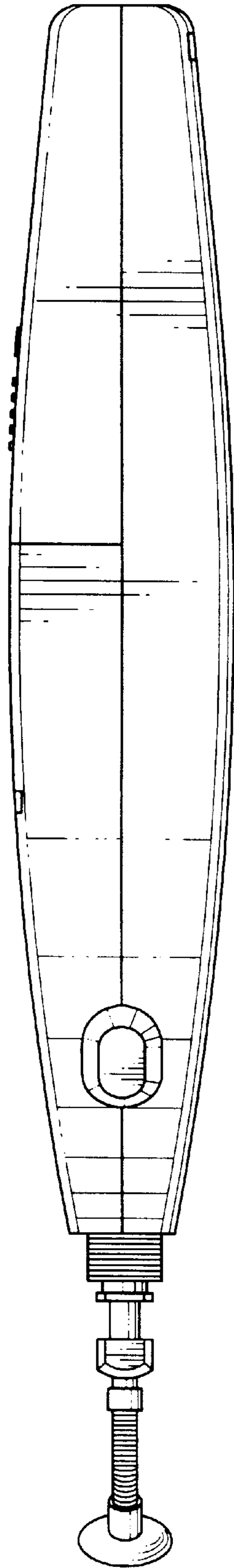
FIG. 1 is a front view of a hand-held vacuum pick-up embodying my new design;  
FIG. 2 is a rear view of my new design;  
FIG. 3 is a plan view of my new design;  
FIG. 4 is a bottom view of my new design;  
FIG. 5 is a right side view of my new design;  
FIG. 6 is a left side view of my new design; and,  
FIG. 7 is a perspective view of my new design.

**1 Claim, 3 Drawing Sheets**





*FIG. 3*



*FIG. 4*

