



US00D467045S

(12) **United States Design Patent**
Tsengas

(10) **Patent No.: US D467,045 S**

(45) **Date of Patent: ** Dec. 10, 2002**

(54) **STACKABLE PET FEEDER**

(75) Inventor: **Steven Tsengas**, Mentor, OH (US)

(73) Assignee: **Our Pet's Company**, Fairport Harbor, OH (US)

(**) Term: **14 Years**

(21) Appl. No.: **29/105,344**

(22) Filed: **May 21, 1999**

(51) **LOC (7) Cl. 30-03**

(52) **U.S. Cl. D30/130**

(58) **Field of Search** D30/121, 122,
D30/129-133; D7/502, 504, 505, 506, 553-555;
119/61, 51.5, 74, 57.8, 18, 51 R, 52.1,
77, 75, 52.3, 58-63

(56) **References Cited**

U.S. PATENT DOCUMENTS

1,855,314 A 4/1932 Schacht
D105,450 S 7/1937 Clifton
2,555,396 A 6/1951 Cosner

(List continued on next page.)

FOREIGN PATENT DOCUMENTS

DE 3300770 A1 7/1984
GB 2 188 525 A 10/1987

OTHER PUBLICATIONS

Ken. L. Ration advertisement showing a new dog dish that holds water and food simultaneously; D30/129; 1950.

(List continued on next page.)

Primary Examiner—Pamela Burgess

(74) *Attorney, Agent, or Firm*—John D. Gugliotta

(57) **CLAIM**

I claim the ornamental design for a stackable pet feeder, as shown and described.

DESCRIPTION

FIG. 1 is a left, top, front perspective view of a stackable pet feeder showing my new design;

FIG. 2 is a left, top, front perspective view thereof, with environmental structure;

FIG. 3 is a left, top, front perspective view thereof, with environmental structure in an alternate position;

FIG. 4 is a left, top, front perspective view thereof, with the right bowl removed for clarity of disclosure;

FIG. 5 is a right, top, front perspective view thereof;

FIG. 6 is a left, top, front perspective view thereof, with both bowls removed for clarity of disclosure;

FIG. 7 is a top plan view thereof, with both bowls removed for clarity of disclosure;

FIG. 8 is a right side elevational view thereof, the left side being a mirror image;

FIG. 9 is a bottom plan view thereof;

FIG. 10 is a left, top, front perspective view of a second embodiment of a stackable pet feeder showing my new design;

FIG. 11 is a left, top, front perspective view thereof, with environmental structure;

FIG. 12 is a left, top, front perspective view thereof, with environmental structure in an alternate position;

FIG. 13 is a top plan view thereof;

FIG. 14 is a top plan view thereof, with both bowls removed for clarity of disclosure;

FIG. 15 is a right side elevational view thereof, the left side being a mirror image;

FIG. 16 is a bottom plan view thereof;

FIG. 17 is a left, top, front perspective view of a third embodiment of a stackable pet feeder showing my new design;

FIG. 18 is a left, top, front perspective plan view thereof, with both bowls removed for clarity of disclosure;

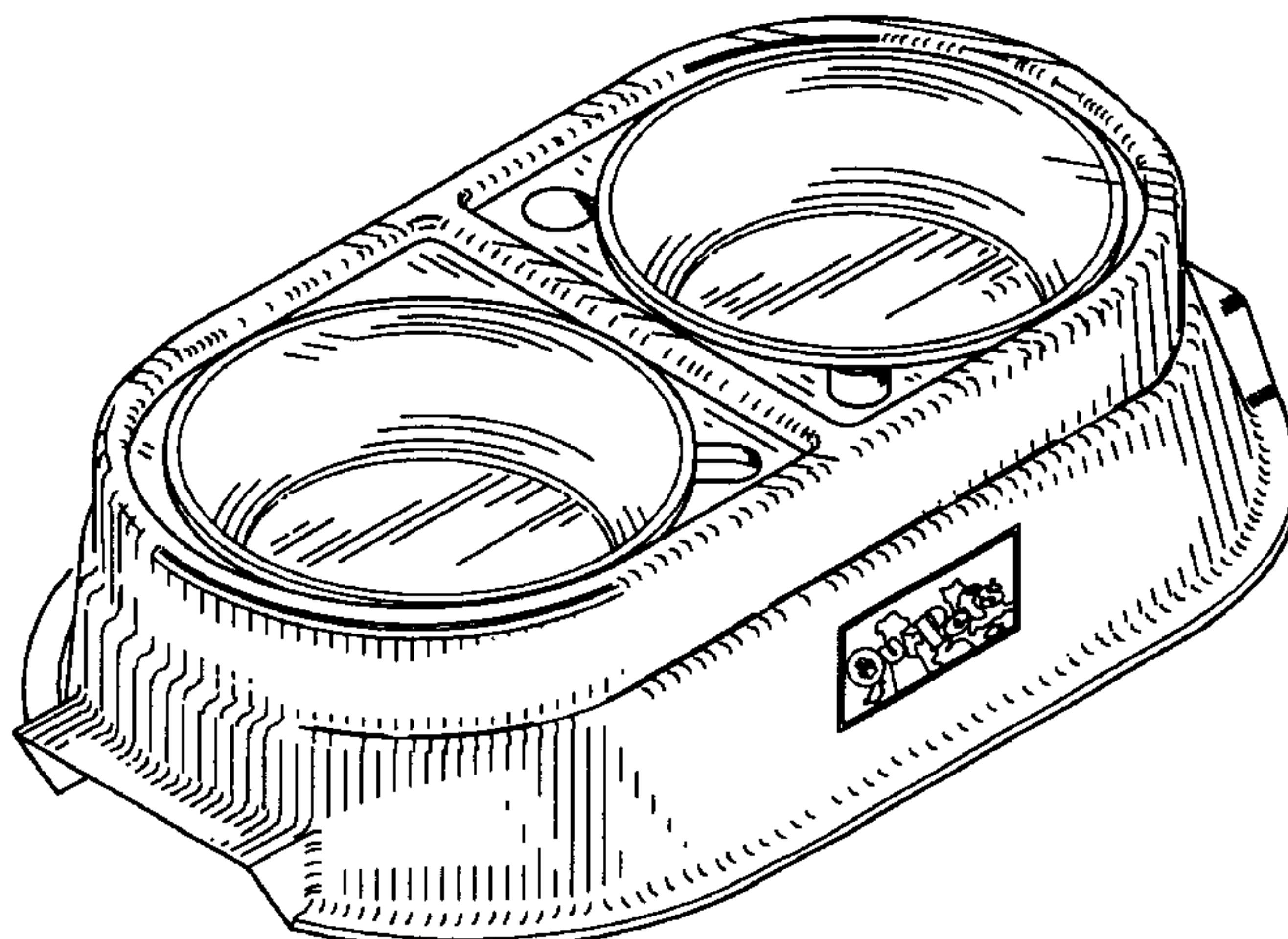
FIG. 19 is a top plan view thereof;

FIG. 20 is a right side elevational view thereof, the left side being a mirror image;

FIG. 21 is a front elevational view thereof; and,

FIG. 22 is a bottom plan view thereof.

1 Claim, 10 Drawing Sheets



US D467,045 S

Page 2

U.S. PATENT DOCUMENTS

2,841,114 A	7/1958	Grant	4,966,099 A	10/1990	Arney	
3,076,435 A	2/1963	Seymour	4,972,781 A	11/1990	Montgomery et al.	
3,538,906 A	11/1970	Heraty et al.	D312,896 S	12/1990	Goetz	
3,651,787 A	3/1972	Cooper	4,976,223 A	12/1990	Pierce	
3,661,121 A	5/1972	Zielin	D313,489 S	1/1991	Conner	
3,687,092 A	8/1972	Manning	5,000,123 A	3/1991	Morse et al.	
3,865,050 A	2/1975	Cecchetti	5,054,431 A	10/1991	Coviello	
3,875,873 A	4/1975	Howitt	5,152,247 A	10/1992	Brown	
3,995,595 A	12/1976	Williams	5,174,245 A	12/1992	Bishop	
4,022,160 A	5/1977	Lester	D338,285 S	8/1993	Chrisco	
4,044,723 A	8/1977	Fitzpatrick	D340,552 S	10/1993	Smith	
4,065,195 A	12/1977	Fahmie	5,429,071 A	7/1995	Altman	
4,143,915 A	3/1979	Kamlay	D362,089 S	9/1995	Moore et al.	
D254,454 S	3/1980	Clugston	5,483,904 A	1/1996	Kelly et al.	
4,205,629 A	6/1980	Wix	D367,736 S *	3/1996	Goetz	D30/130
D258,018 S	1/1981	Venditto et al.	5,501,176 A	3/1996	Tully	
4,357,905 A	11/1982	Carpenter	5,509,376 A	4/1996	Tsengas	
4,359,786 A	11/1982	Rosberg et al.	D373,858 S *	9/1996	Chen	D30/130
4,574,709 A	3/1986	Lackey et al.	D374,513 S	10/1996	Melvin	
4,633,815 A	1/1987	Peterson et al.	D385,068 S *	10/1997	Malcolm	D30/130
4,658,759 A	4/1987	Brown	D393,107 S	3/1998	Tsengas	
4,699,089 A	10/1987	Teschke	5,730,081 A	3/1998	Tsengas	
D298,671 S	11/1988	Simerson				
4,793,288 A	12/1988	Hoadley				
4,852,837 A	8/1989	Merten et al.				
4,856,459 A	8/1989	Wiseman et al.				
4,883,022 A	11/1989	Barker				
4,922,858 A	5/1990	Ahrens				
4,953,506 A	9/1990	Sanders				

OTHER PUBLICATIONS

Pedigrees the Pet Catalog; p. 14; Item J; Automatic pet feeder including ice pack; Jul. 1995.
Pedigrees the Pet Catalog; Summer Preview 1991.
Spiegel Catalog.

* cited by examiner

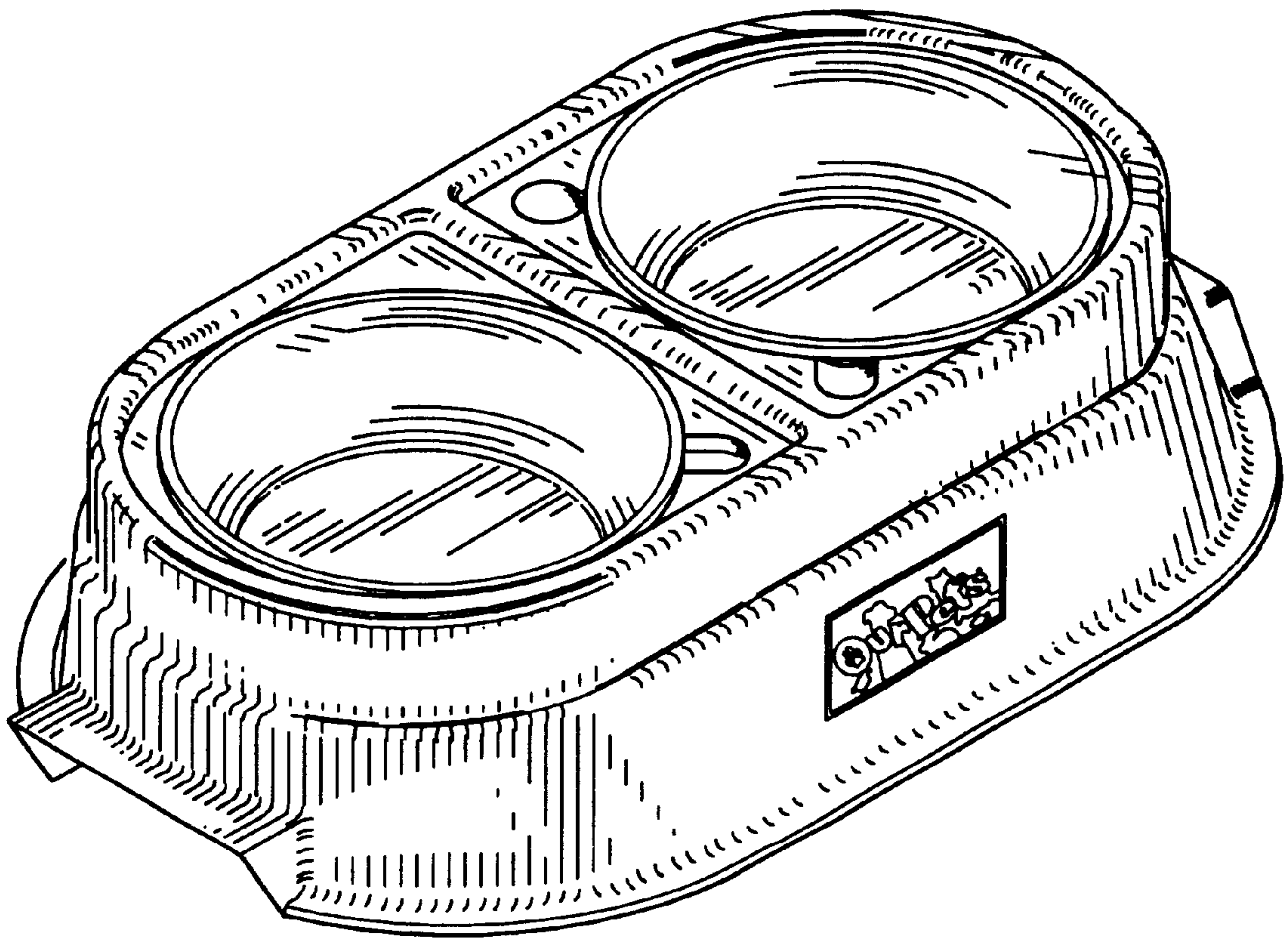


Fig. 1

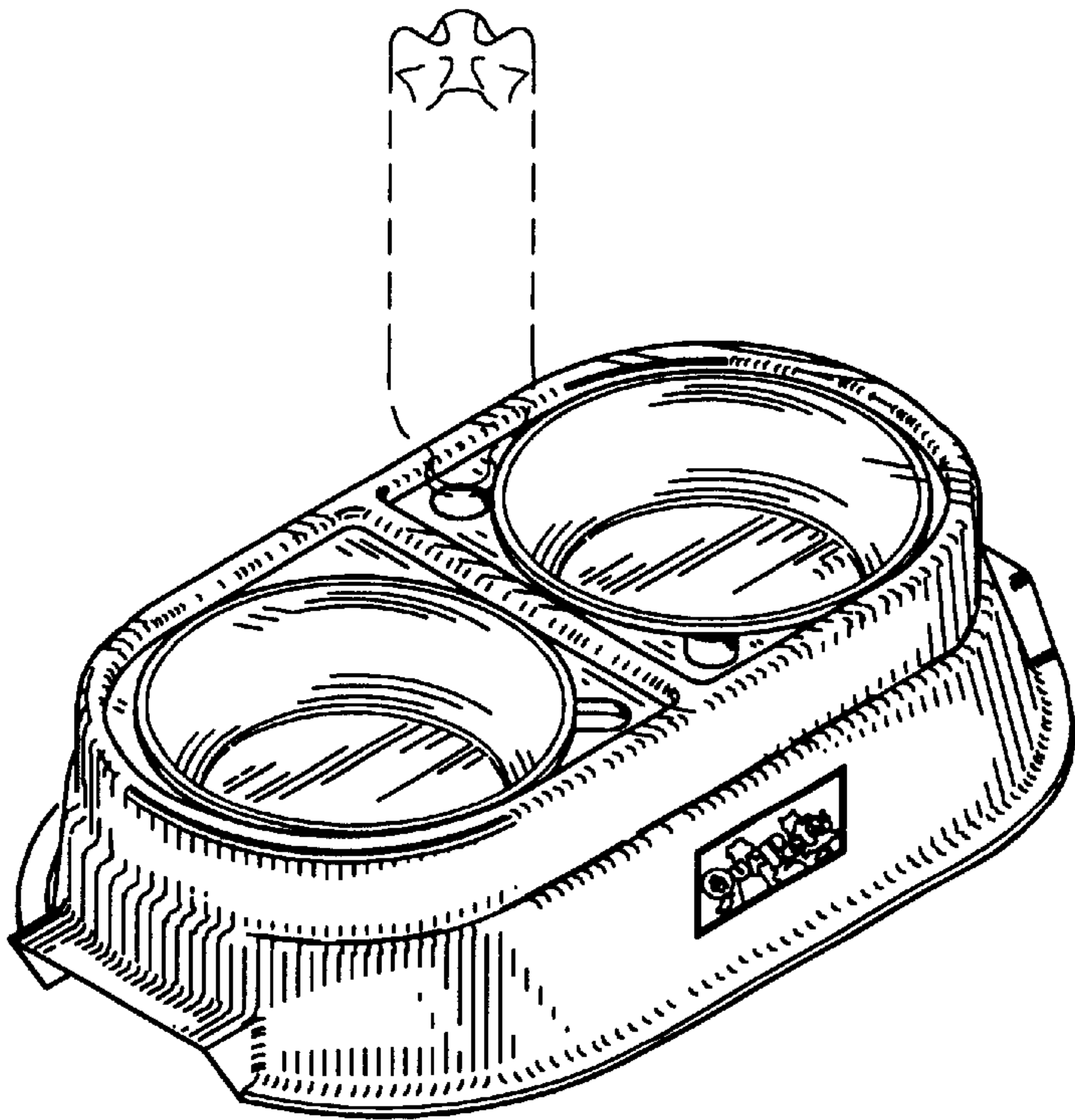


Fig. 2

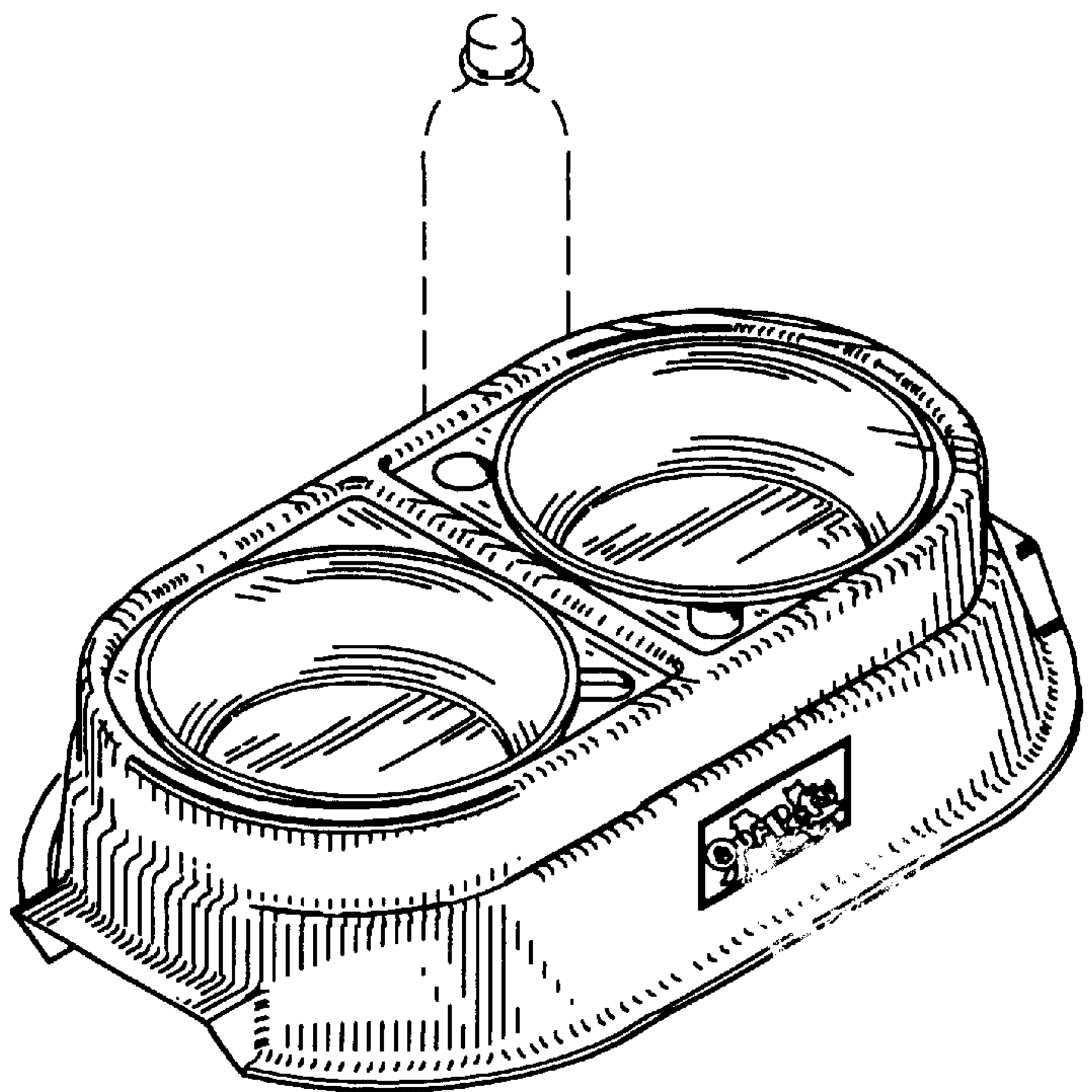


Fig. 3

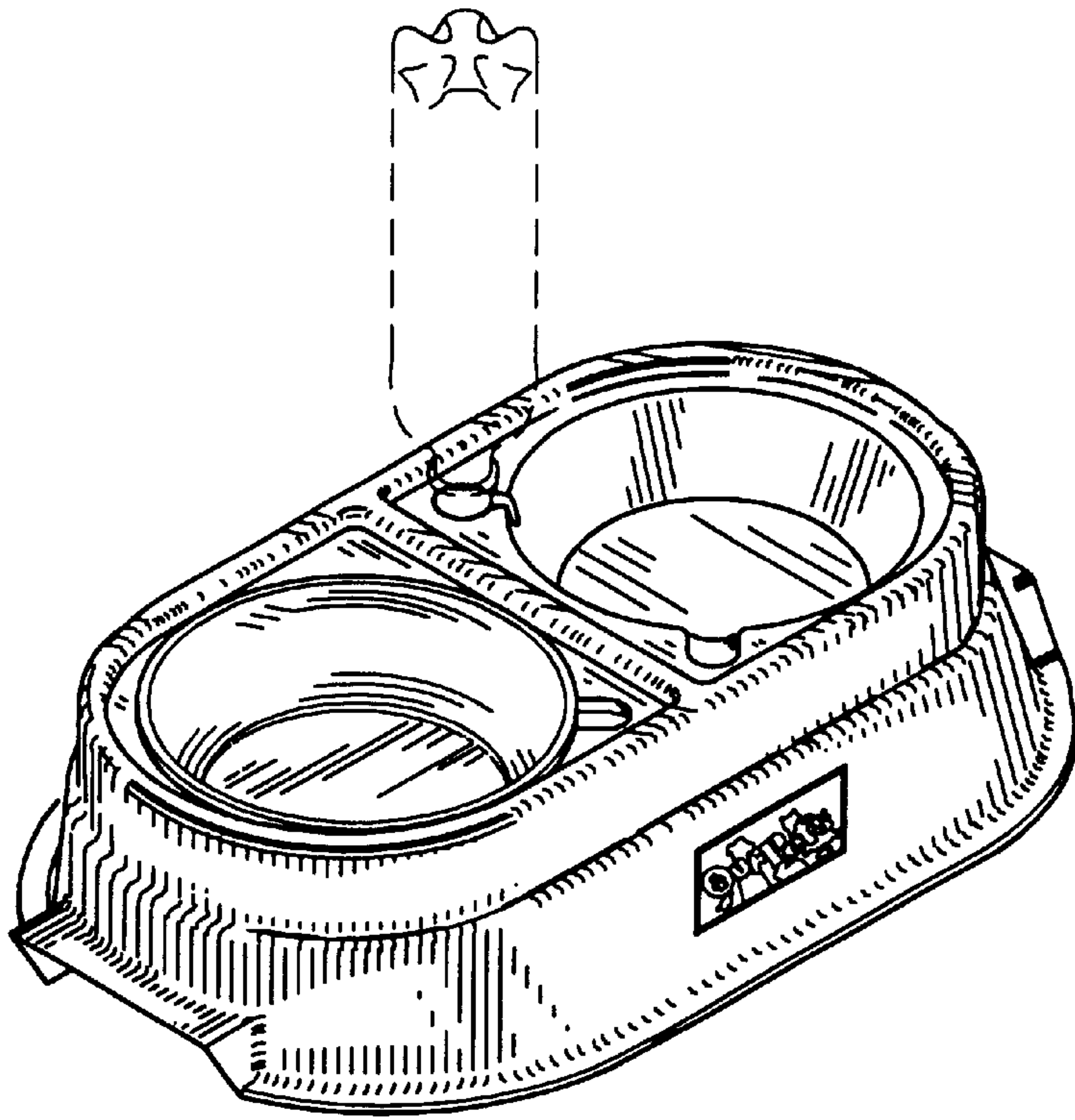


Fig. 4

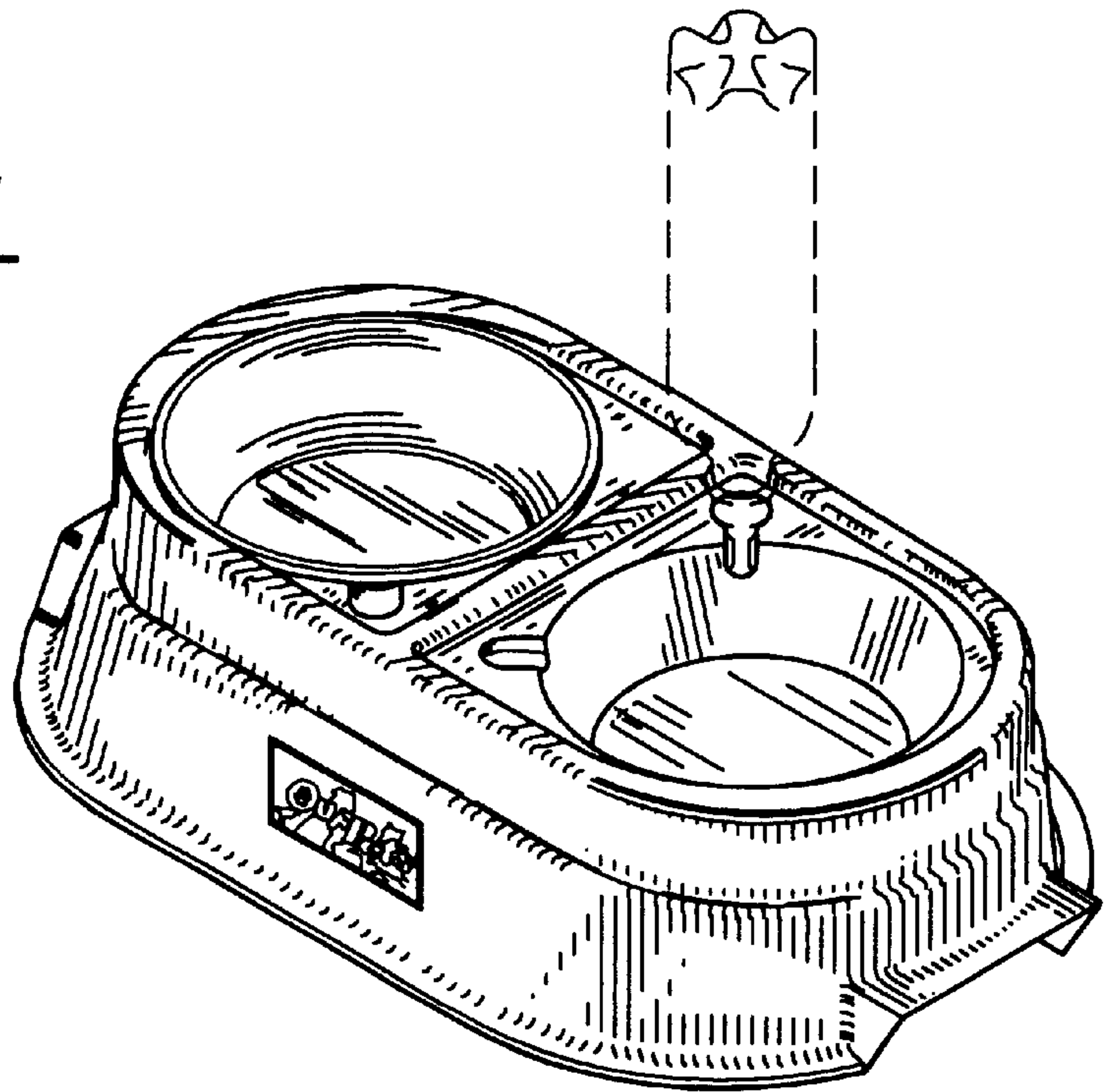


Fig. 5

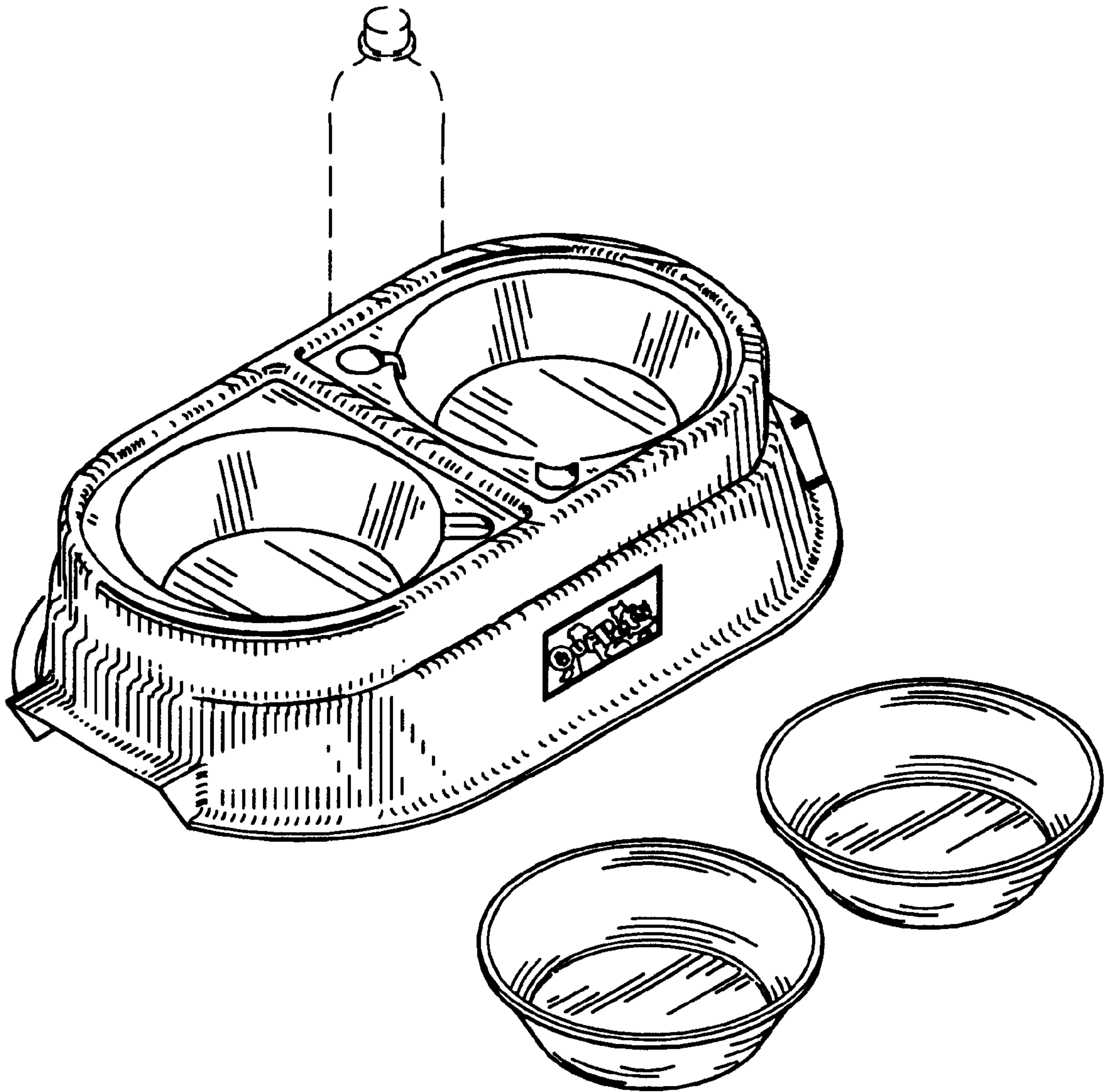


Fig. 6

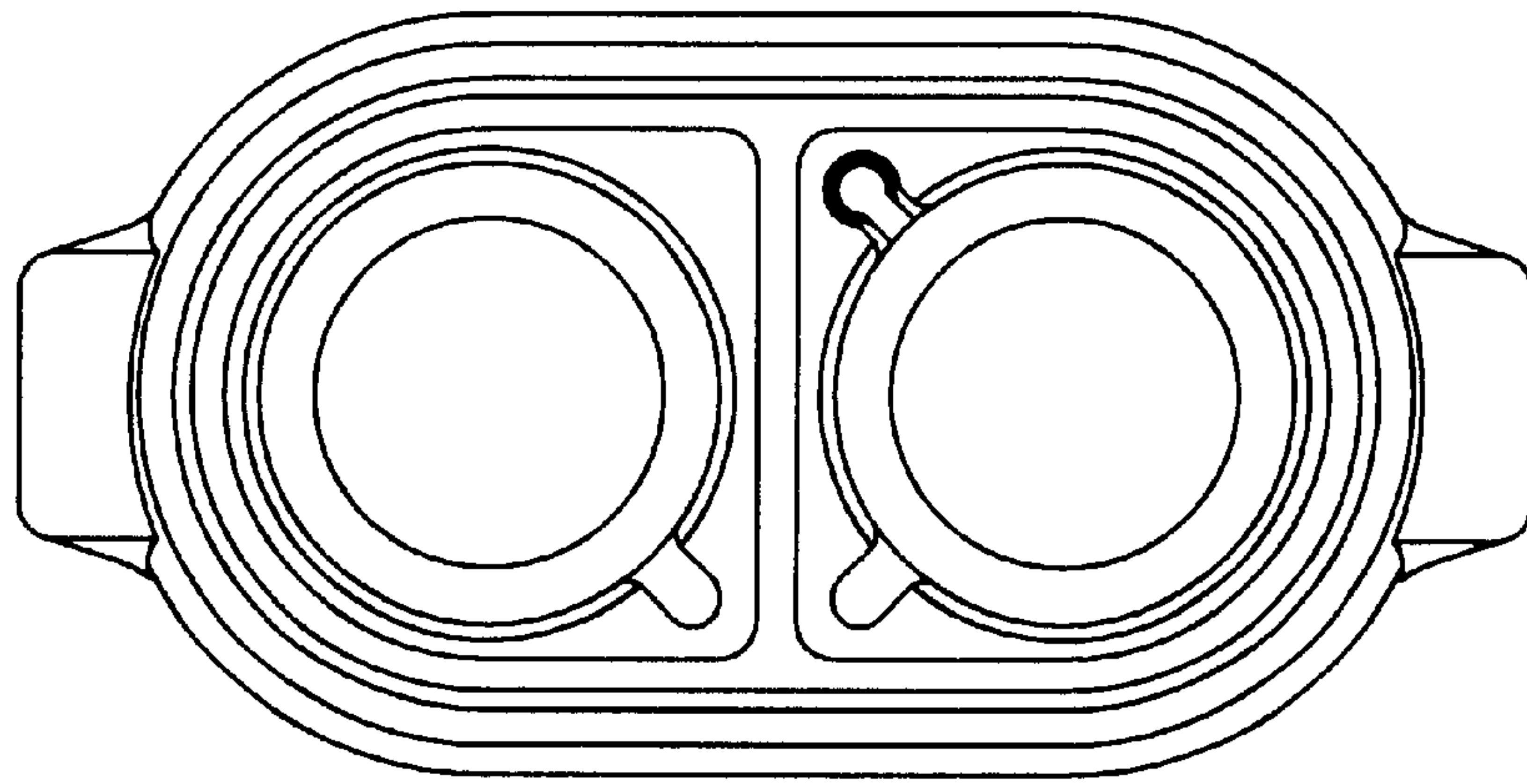


Fig. 7

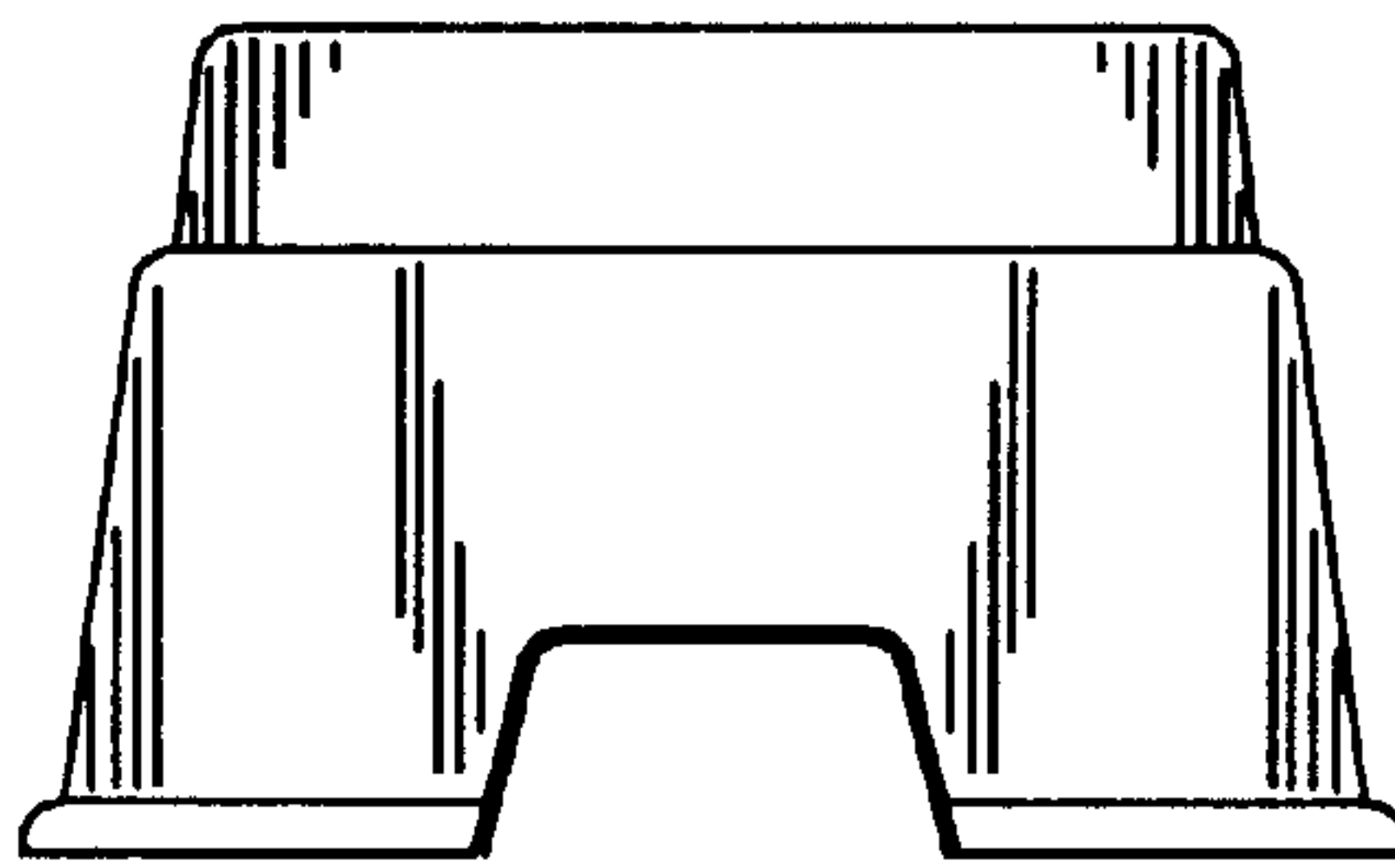


Fig. 8

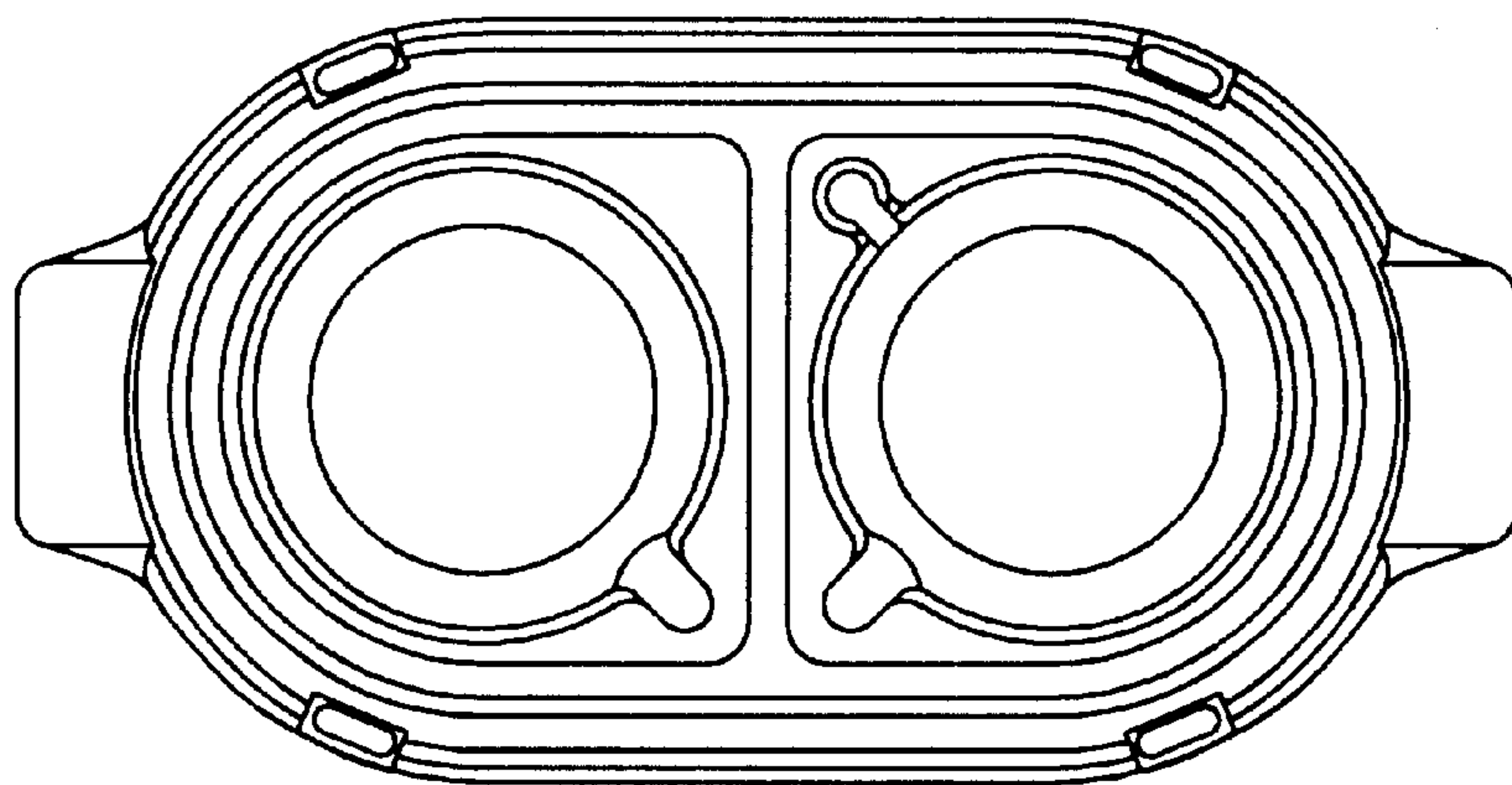


Fig. 9

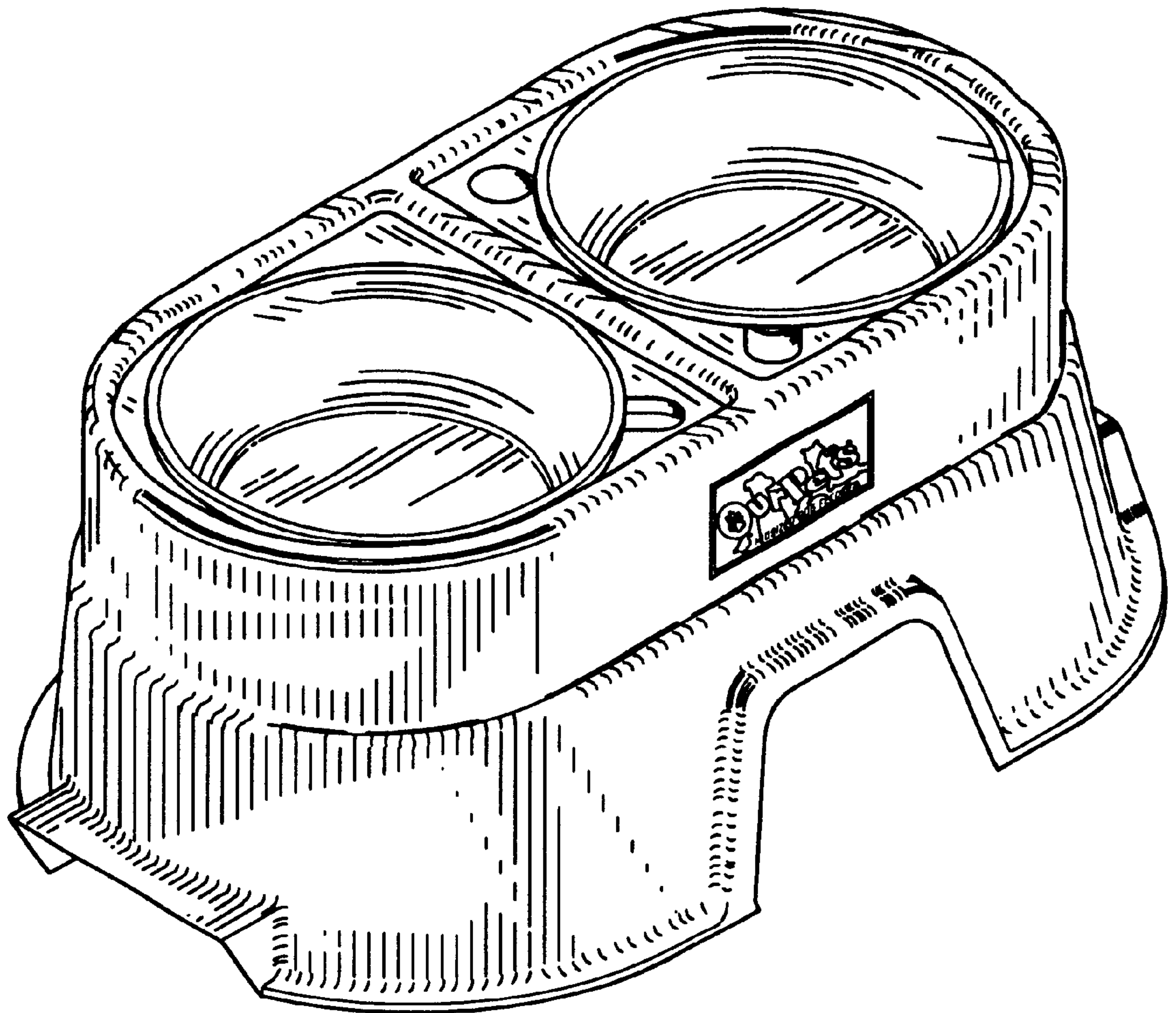


Fig. 10

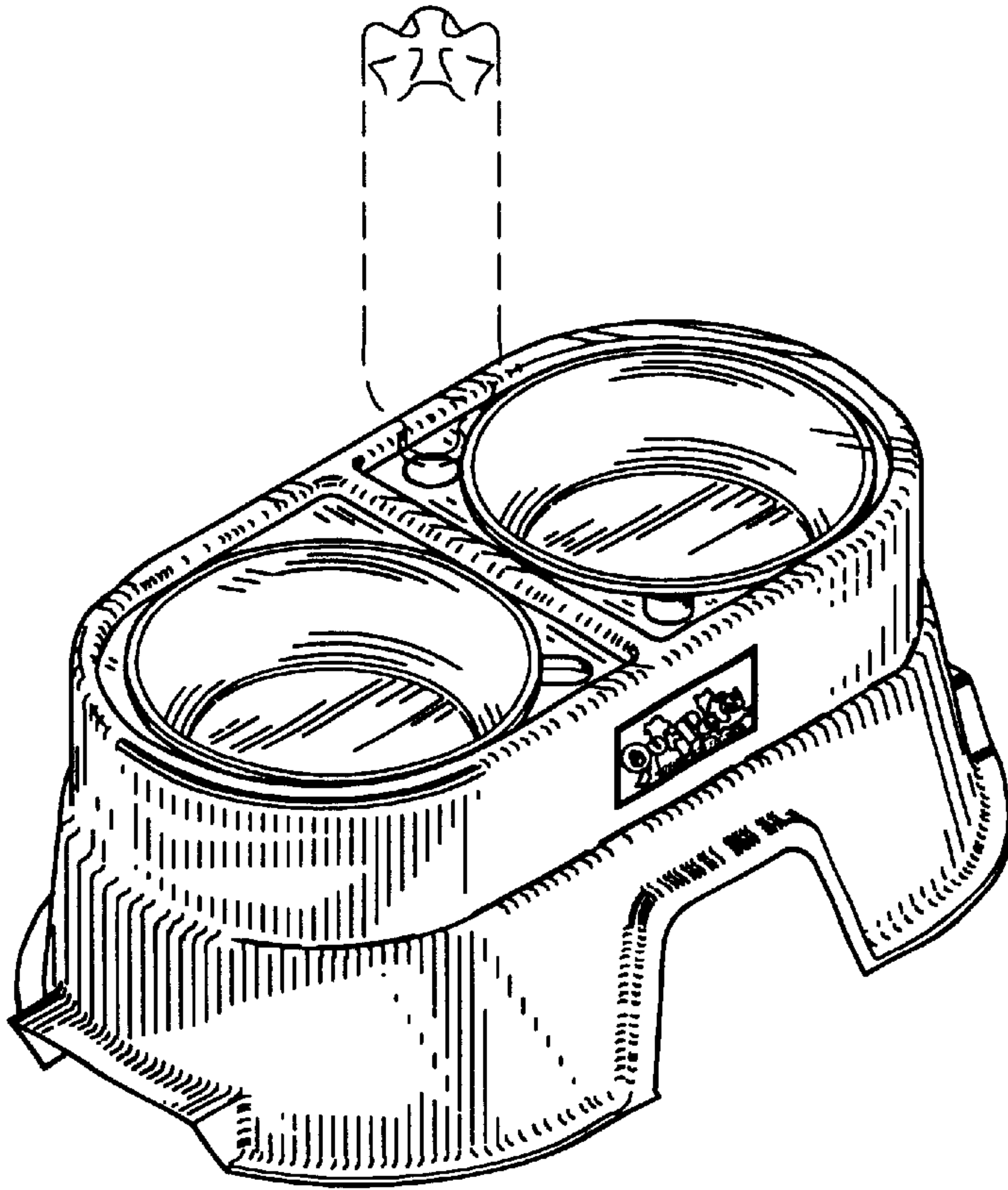


Fig. 11

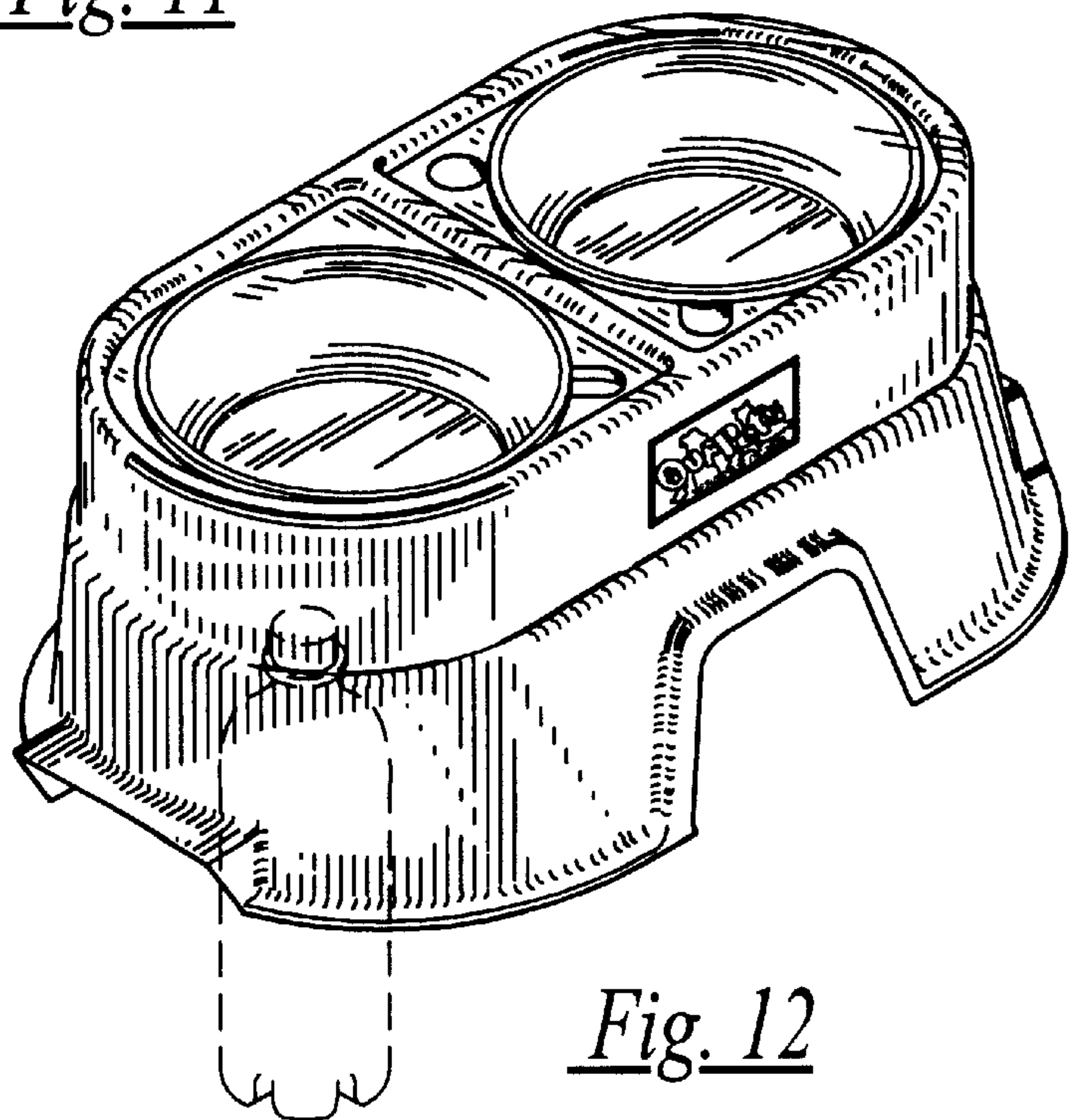


Fig. 12

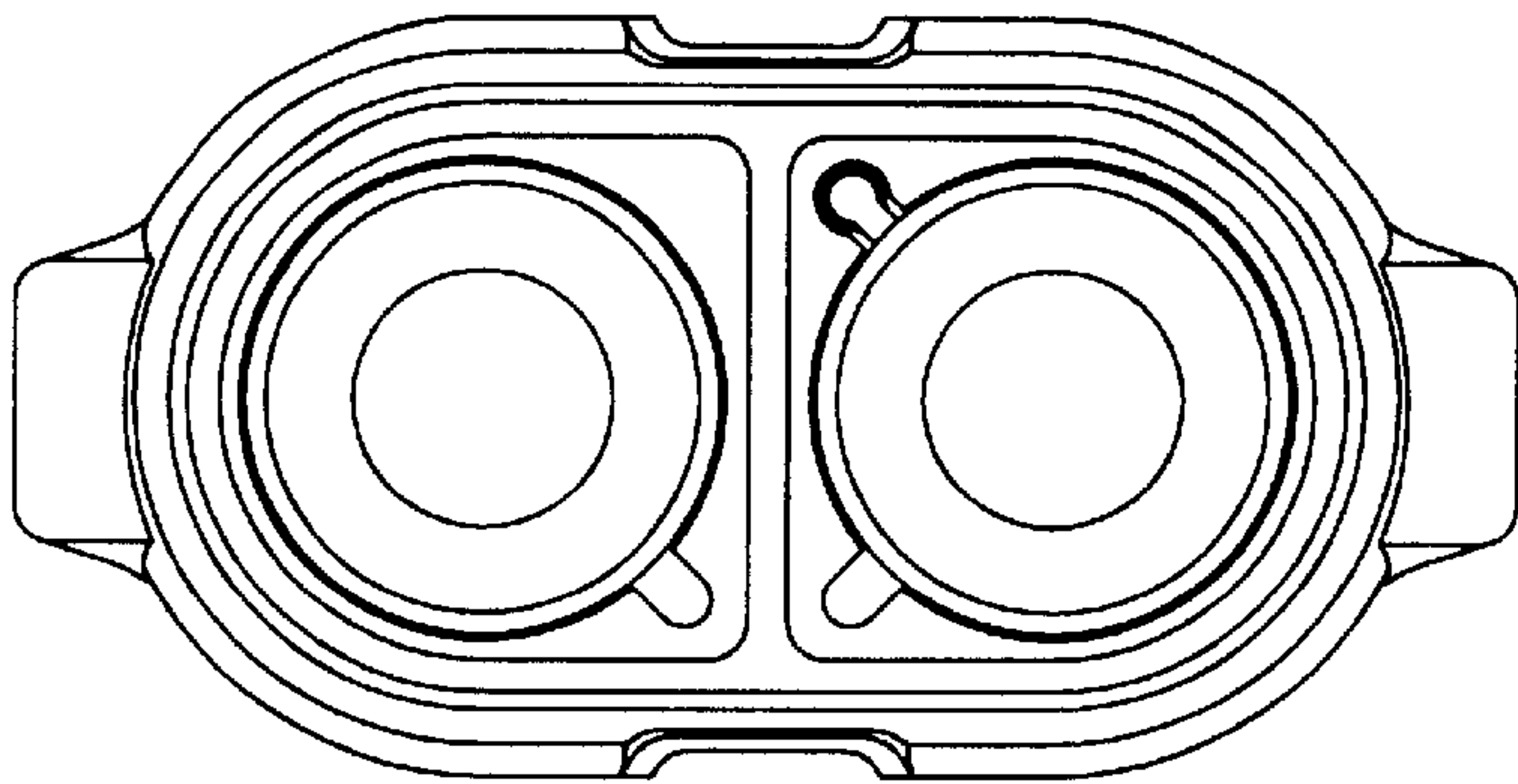


Fig. 13

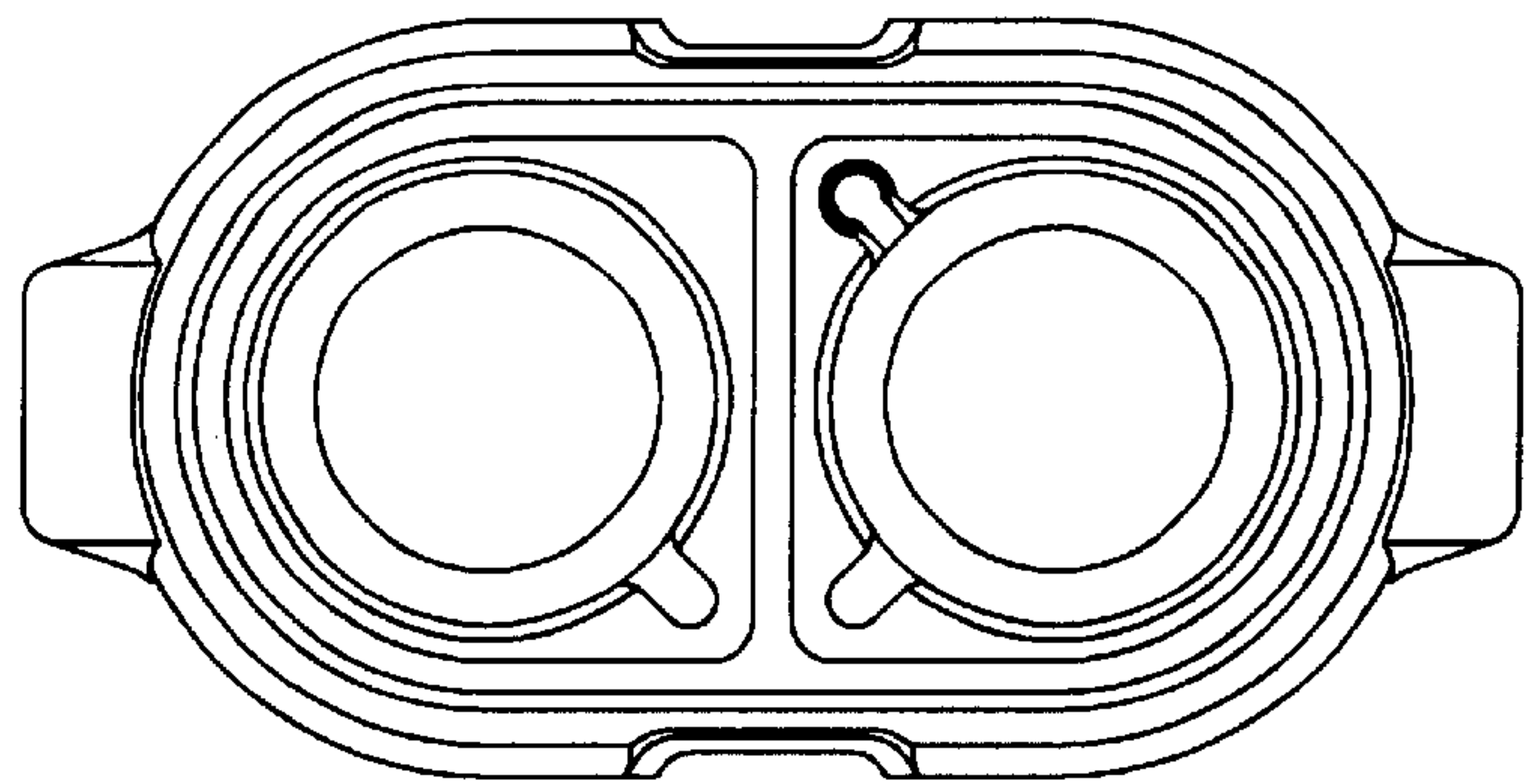


Fig. 14

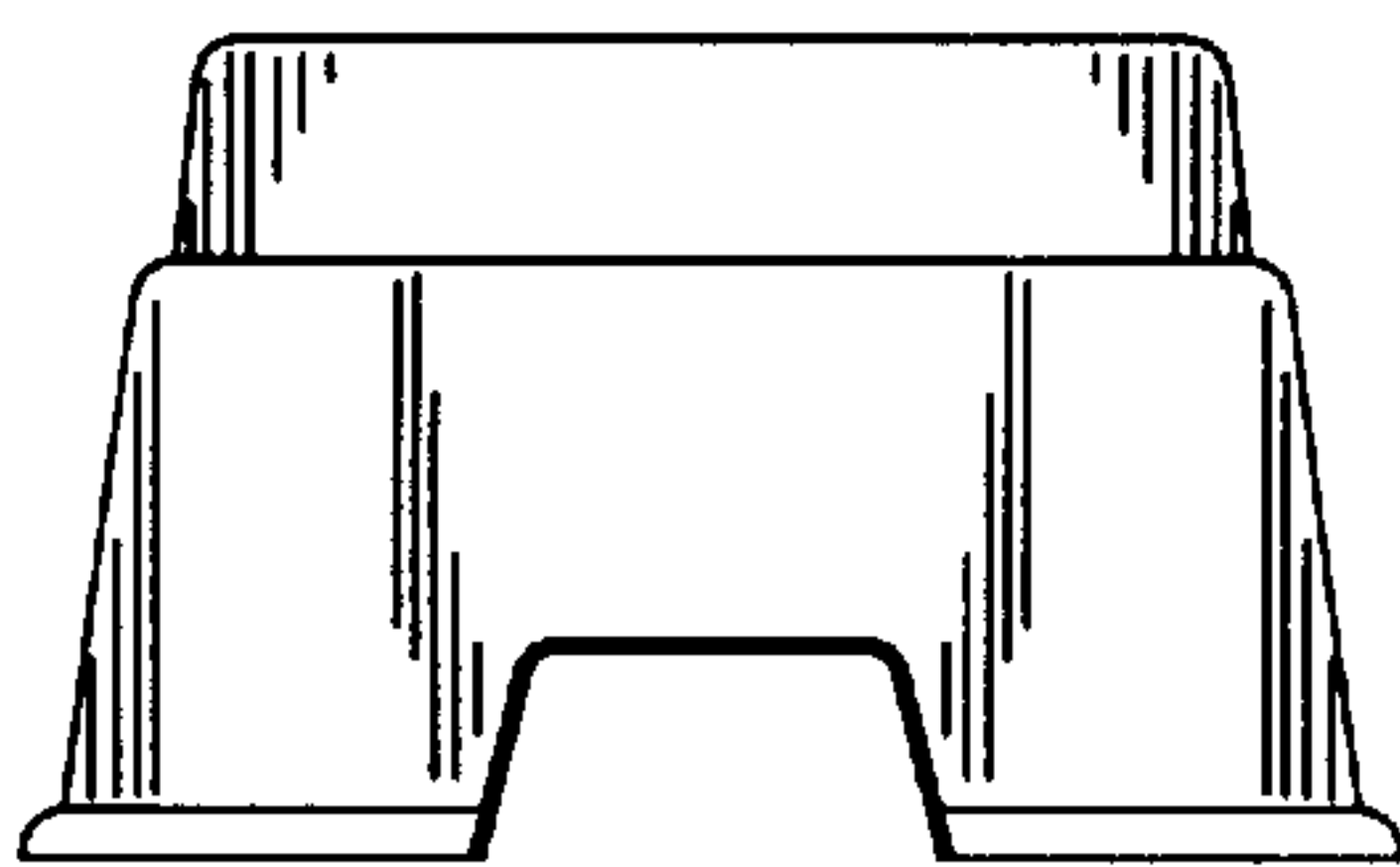


Fig. 15

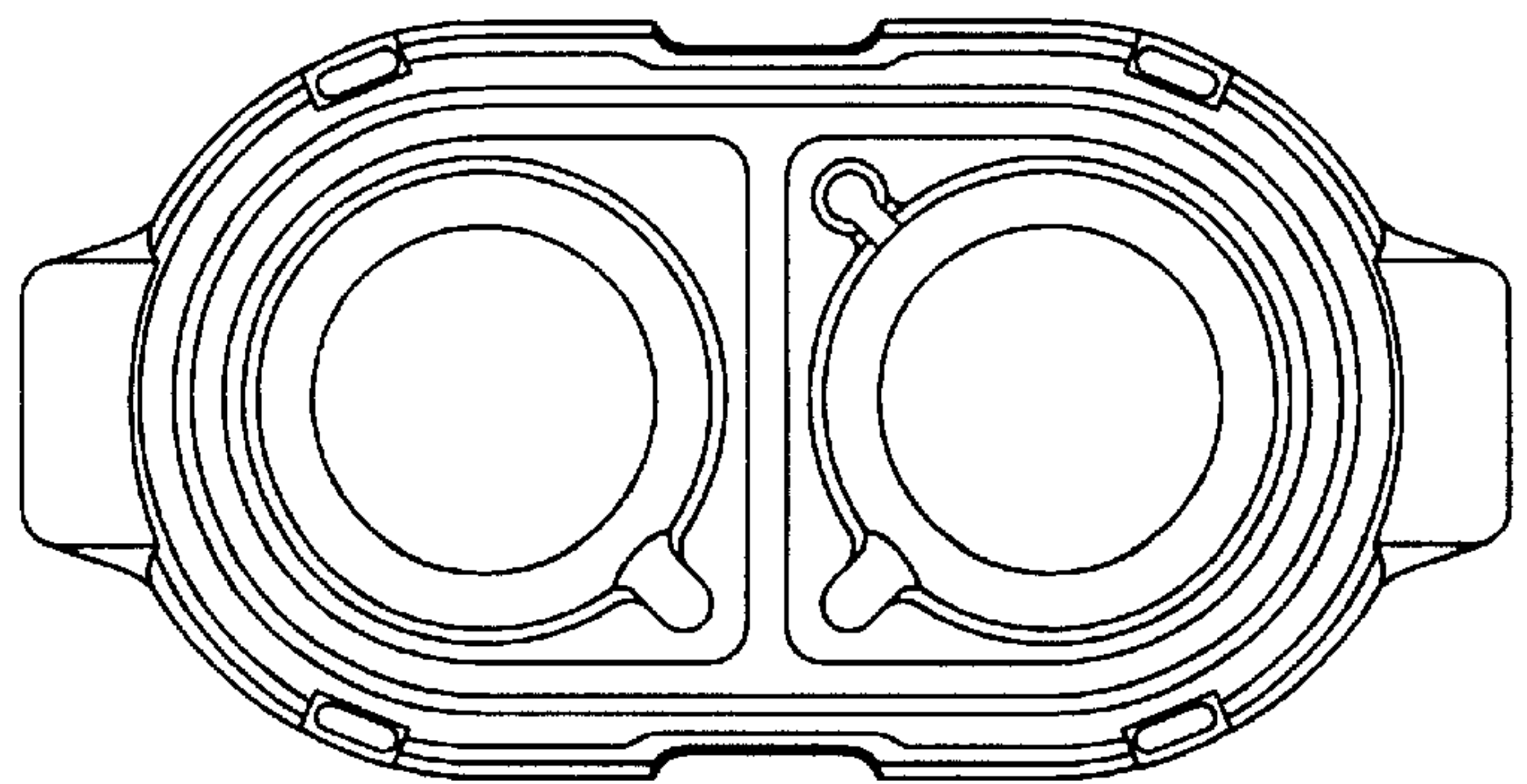


Fig. 16

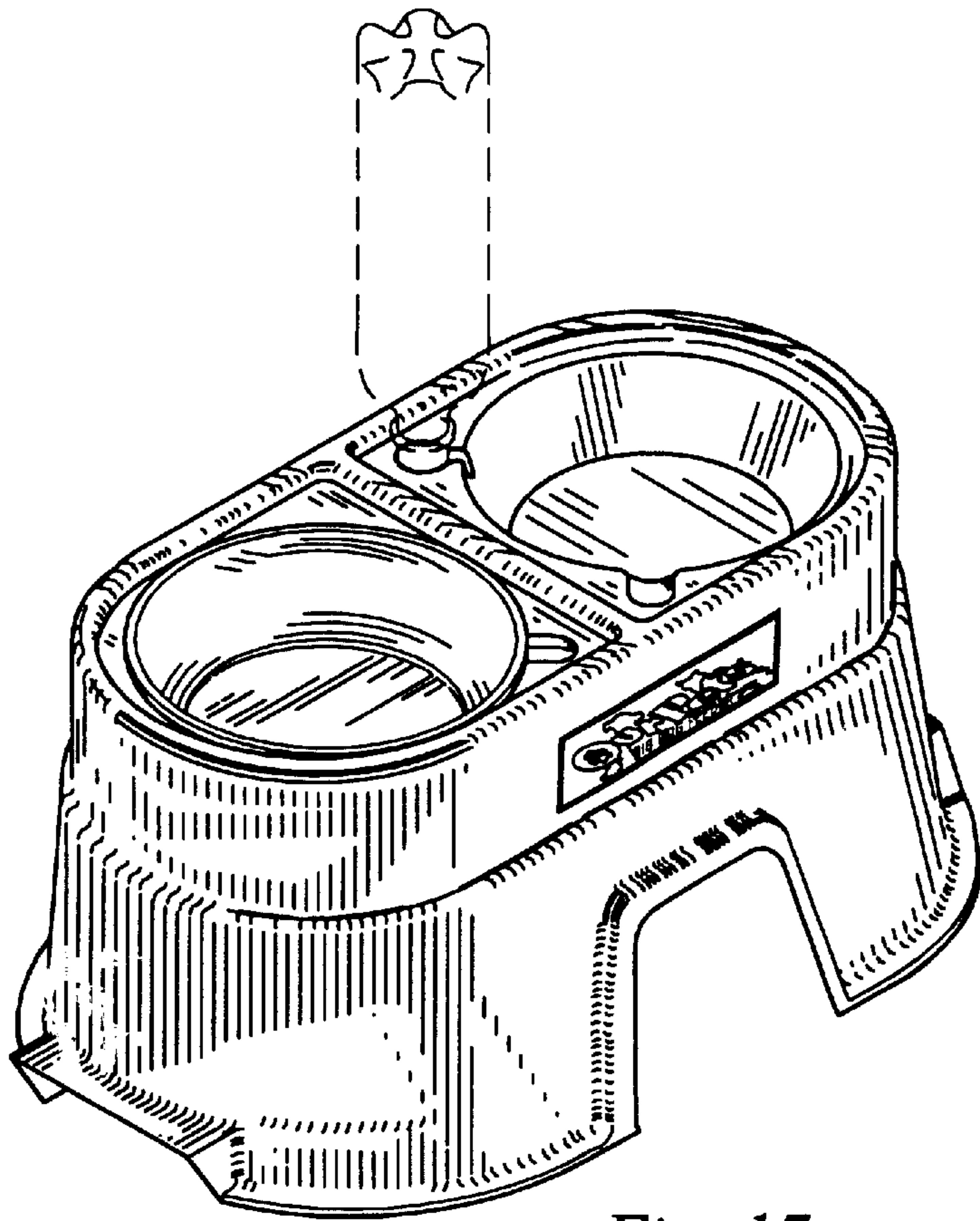


Fig. 17

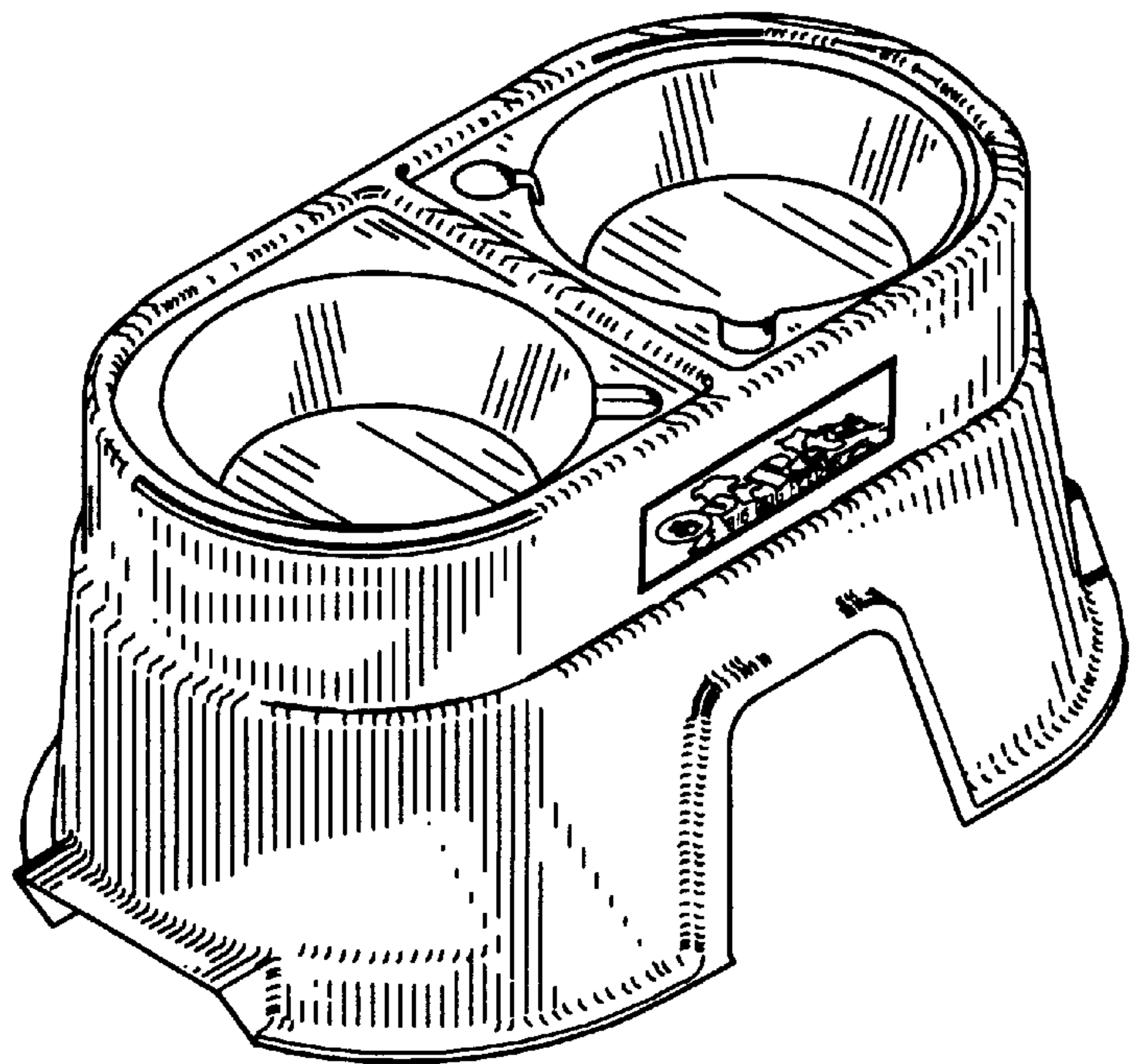


Fig. 18

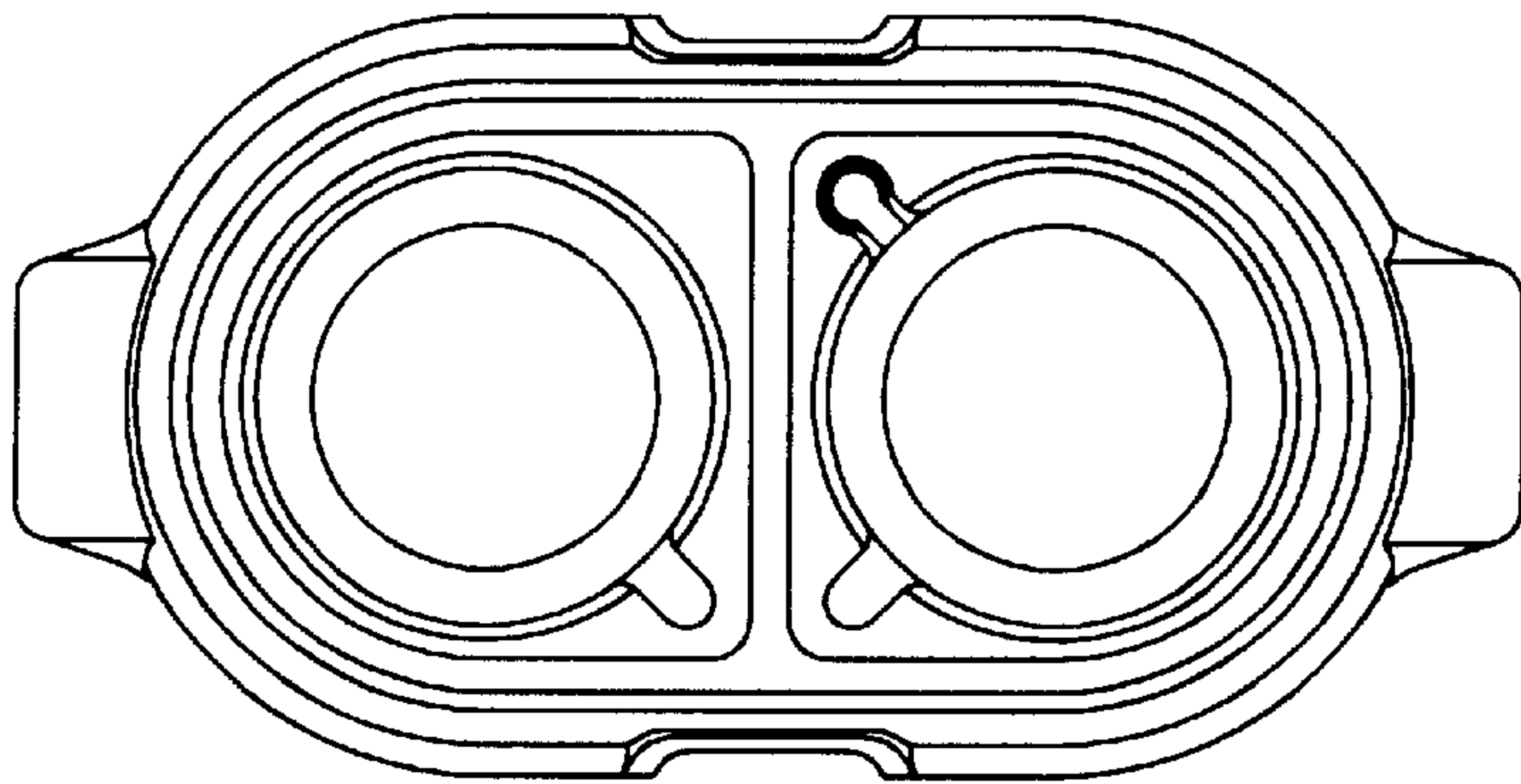


Fig. 19

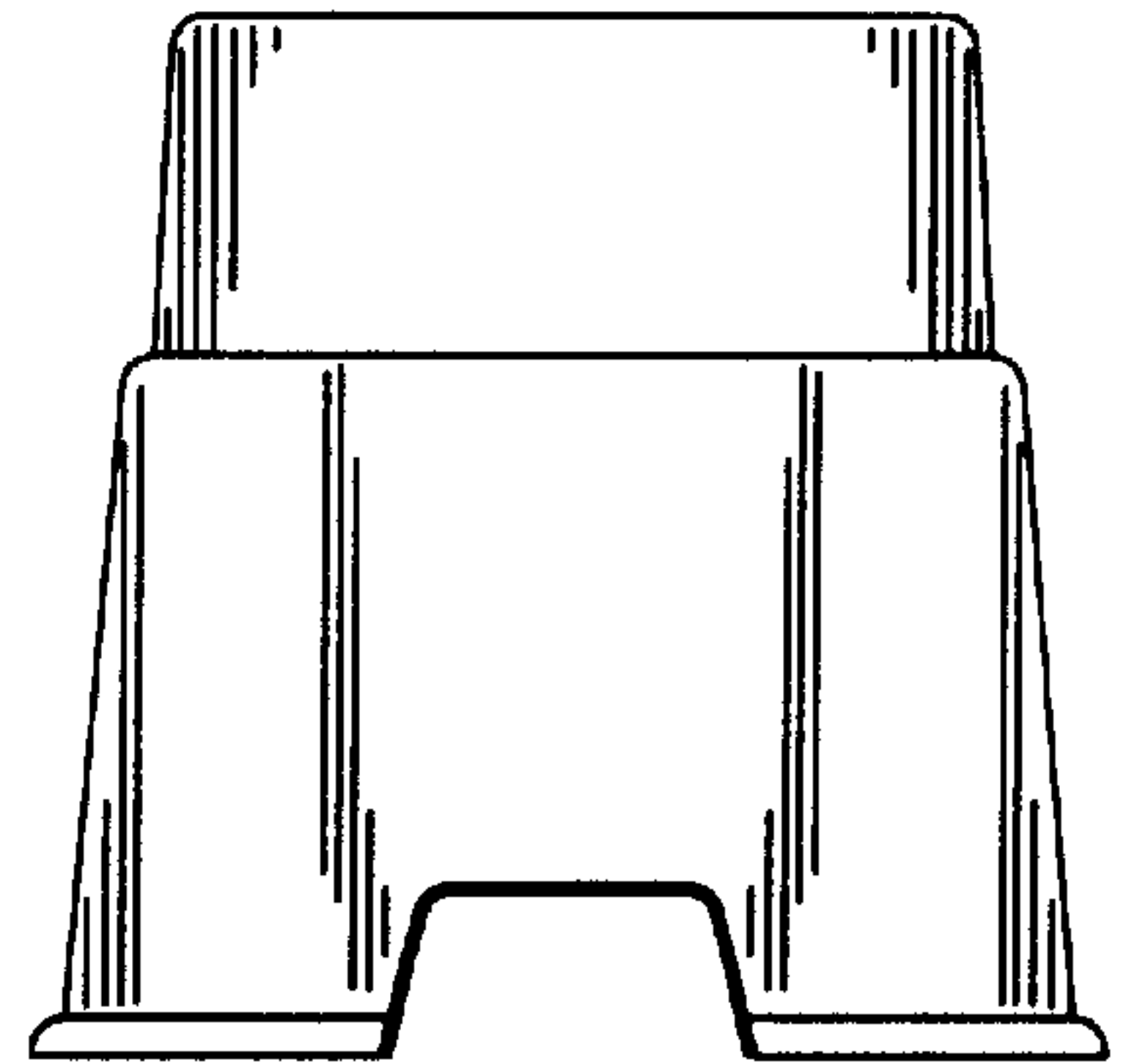


Fig. 20

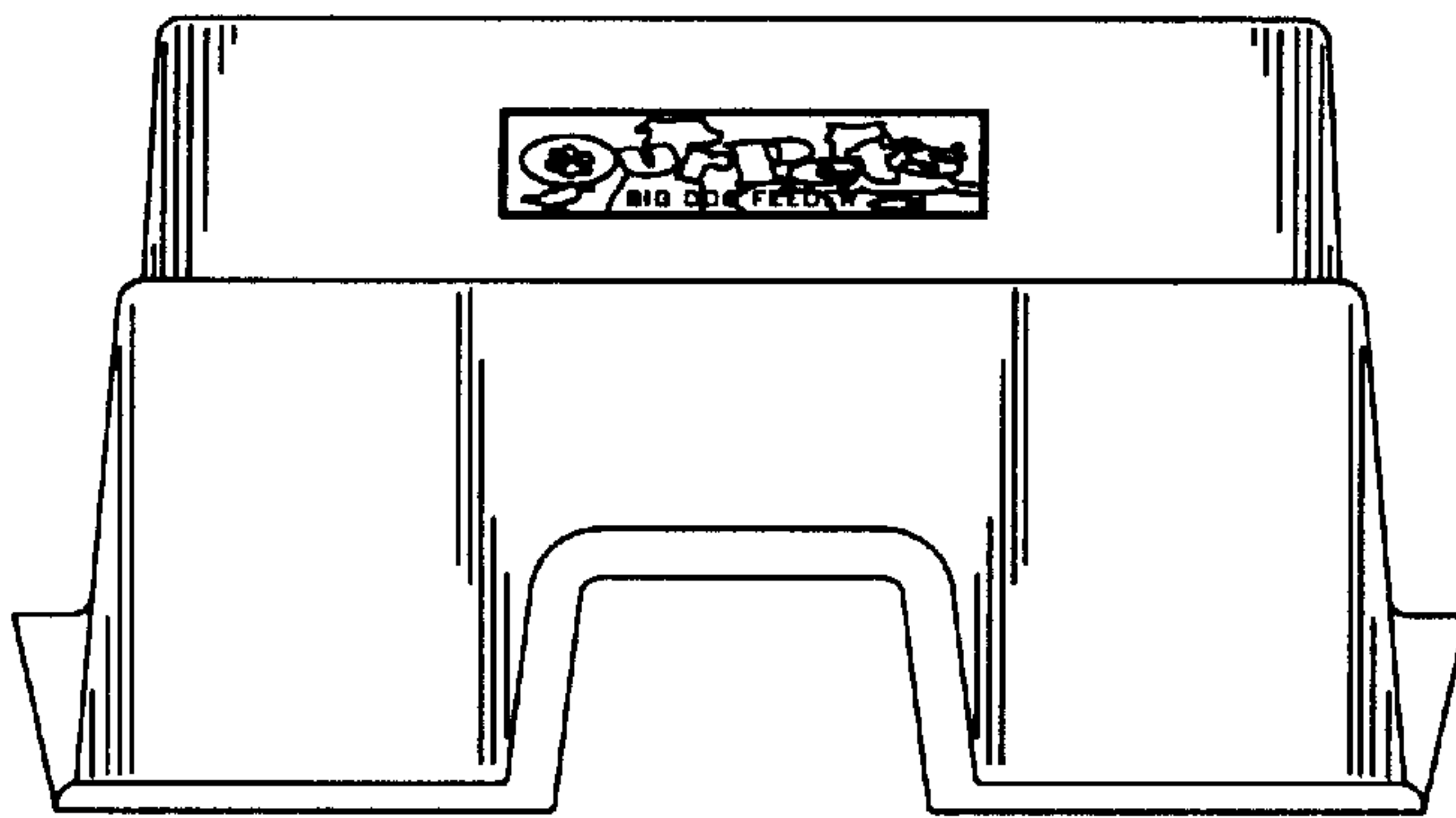


Fig. 21

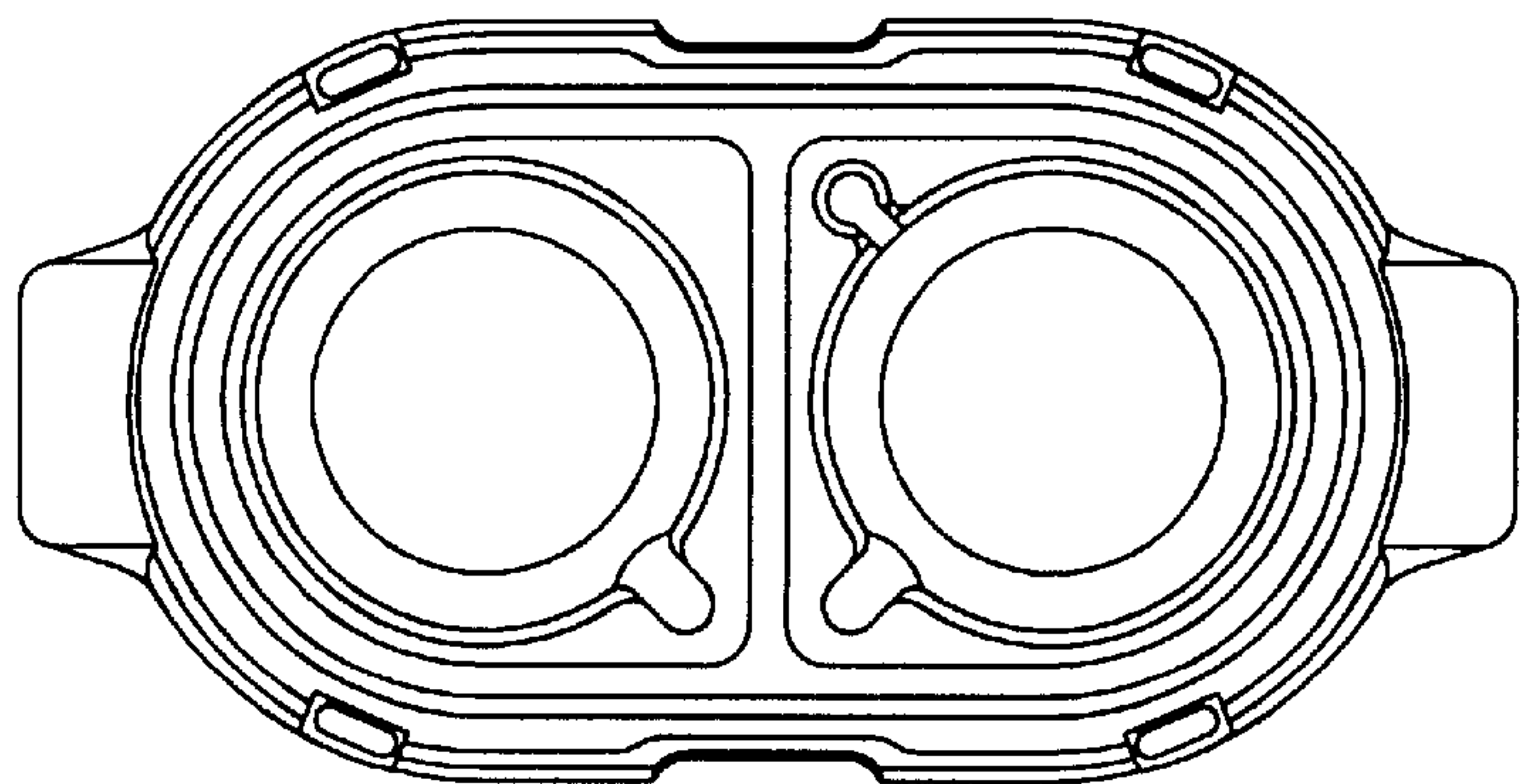


Fig. 22