



US00D467039S

(12) **United States Design Patent**  
**Fuller**

(10) **Patent No.: US D467,039 S**

(45) **Date of Patent: \*\* Dec. 10, 2002**

(54) **LIPSTICK CASE WITH MIRROR**

D392,423 S \* 3/1998 Lerolle ..... D28/90

(76) Inventor: **Joseph Fuller**, 295 S. Compo Rd.,  
Westport, CT (US) 06880

(\*\*) Term: **14 Years**

(21) Appl. No.: **29/158,496**

(22) Filed: **Apr. 4, 2002**

(51) **LOC (7) Cl. .... 28-03**

(52) **U.S. Cl. .... D28/85; D28/77**

(58) **Field of Search** ..... D28/76, 77, 85-90;  
D9/337, 529, 560; 132/316-318, 320; 206/581,  
823, 385; 401/55-98, 195

(56) **References Cited**

**U.S. PATENT DOCUMENTS**

D156,259 S	*	11/1949	Livermore	.....	D28/77
D232,701 S	*	9/1974	Bettonica	.....	D9/504
D305,268 S	*	12/1989	Cheng	.....	D28/88
5,102,249 A	*	4/1992	Holloway et al.	.....	401/78
D368,328 S	*	3/1996	Wacker	.....	D28/85
D382,369 S	*	8/1997	Yang	.....	D28/85

**OTHER PUBLICATIONS**

Beauty Fashion Nov. 1979, p. 87: Eau de Toilette container  
on lower right.\*

\* cited by examiner

*Primary Examiner*—Ted Shooman

*Assistant Examiner*—C Tuttle

(74) *Attorney, Agent, or Firm*—Patrick J. Walsh

(57) **CLAIM**

The ornamental design for a lipstick case with mirror,  
substantially as shown and described.

**DESCRIPTION**

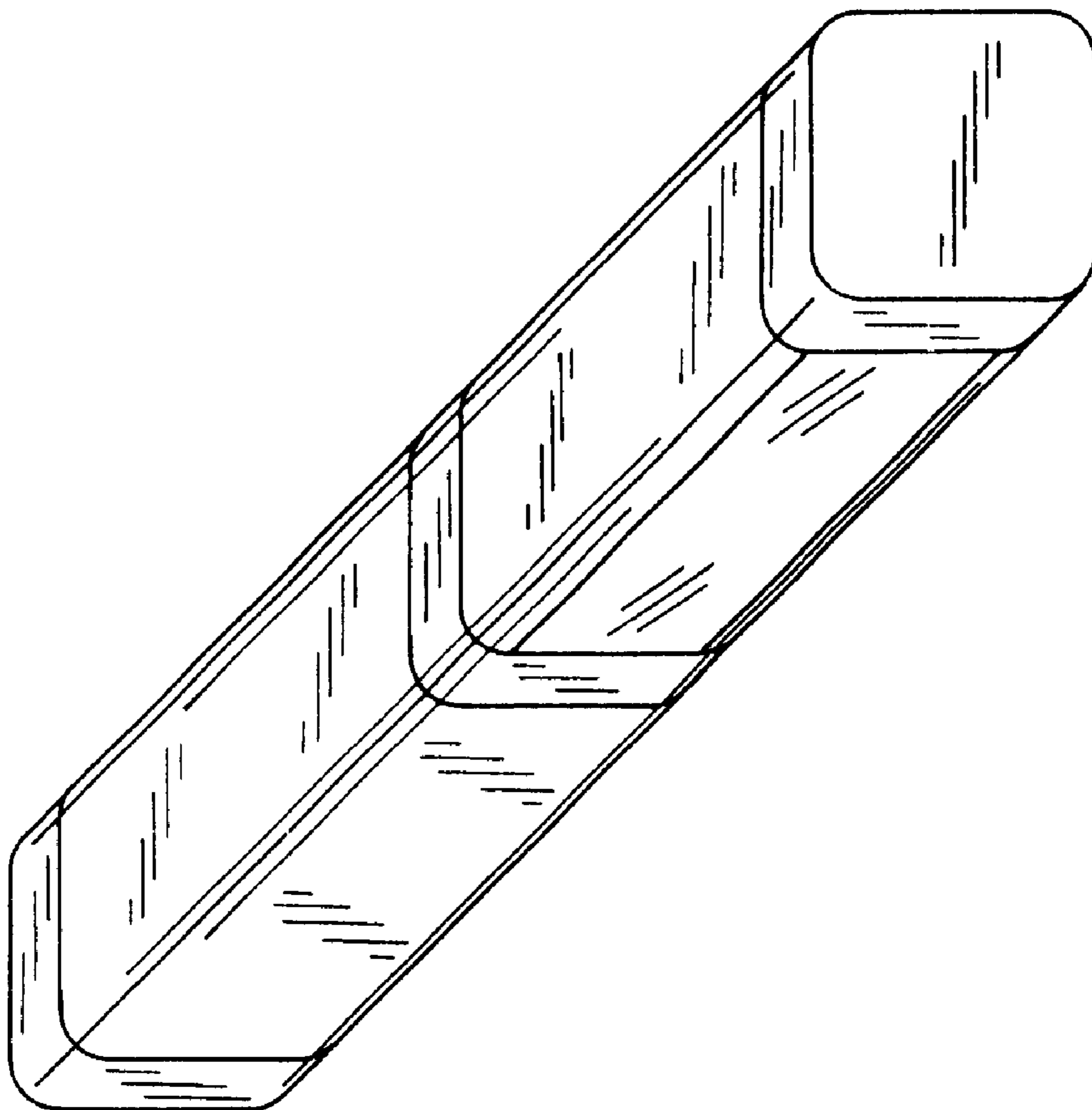
FIG. 1 is a perspective view of lipstick case with mirror,  
showing my new design;

FIG. 2 is a plan view thereof;

FIG. 3 is a front elevation view thereof; and,

FIG. 4 is a side elevation view of each of the three remaining  
sides of the lipstick case which have the same appearance.

**1 Claim, 1 Drawing Sheet**



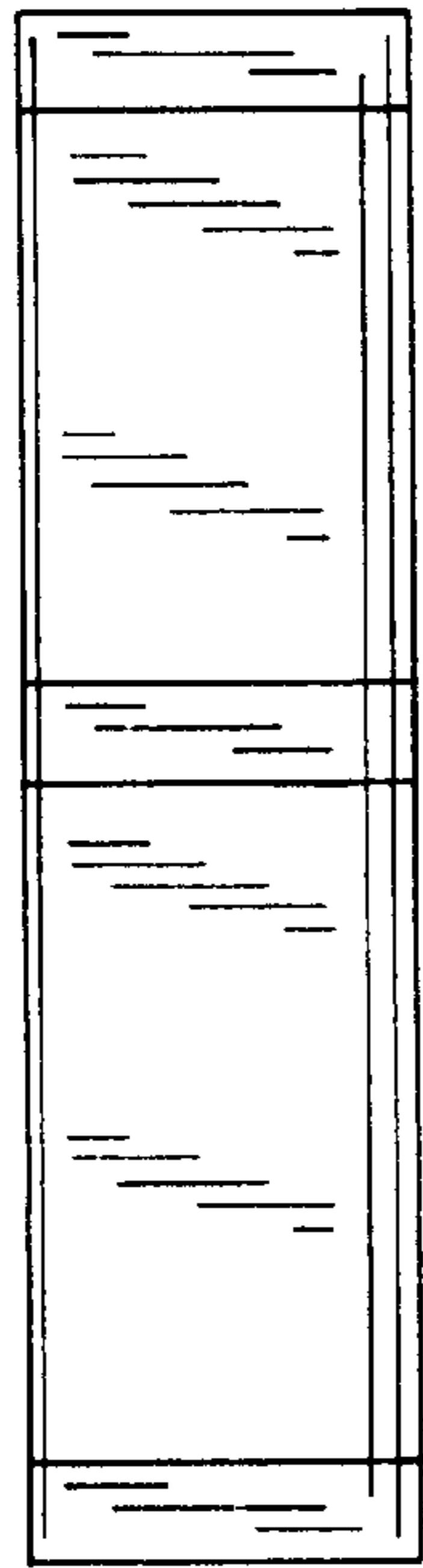


FIG. 4

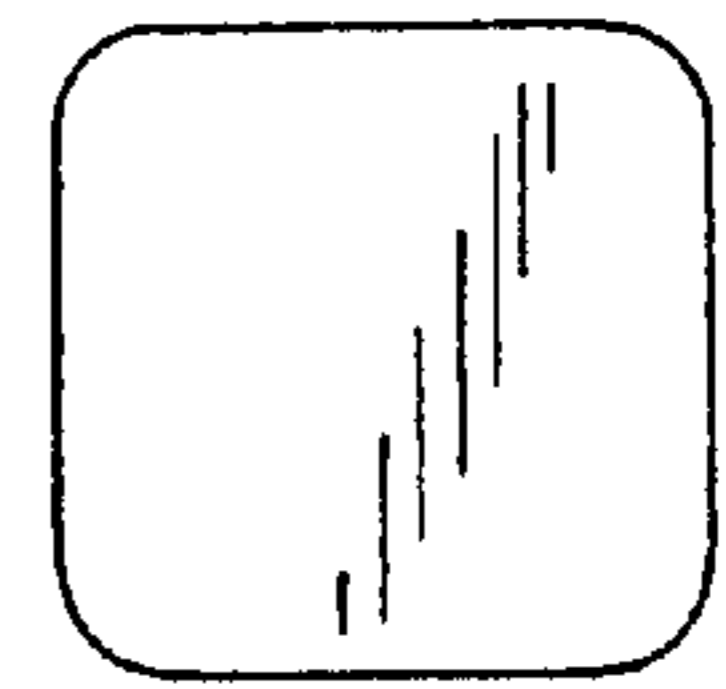


FIG. 2

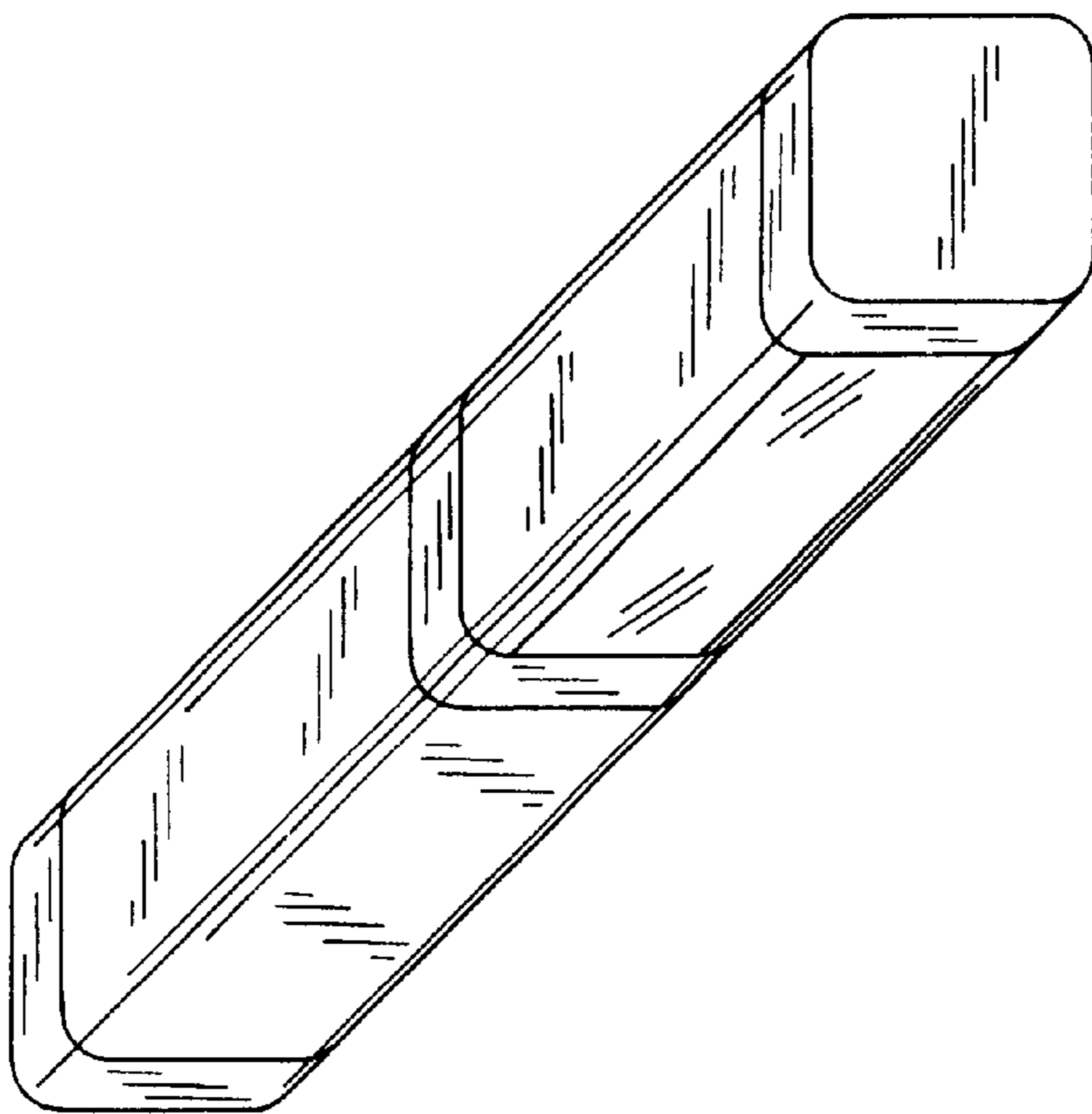


FIG. 1

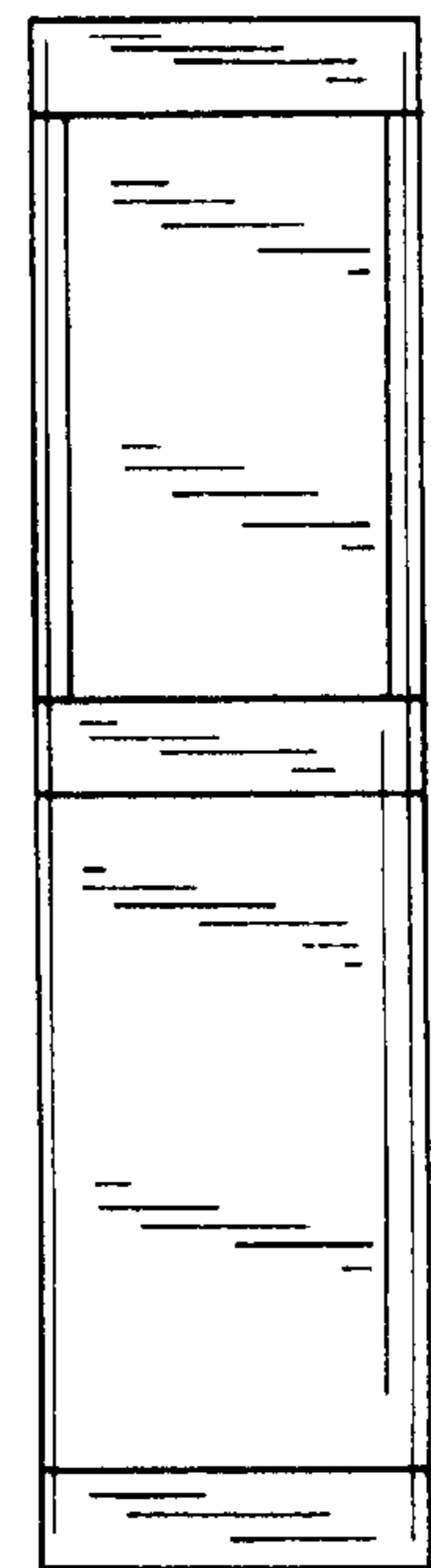


FIG. 3