



US00D467035S

(12) **United States Design Patent**
Carlucci et al.

(10) **Patent No.:** **US D467,035 S**

(45) **Date of Patent:** **** Dec. 10, 2002**

(54) **ATTACHMENT FOR A HAIR DRYER**

(75) Inventors: **Vito James Carlucci**, Stratford, CT (US); **Harold Roy Taylor**, Stratford, CT (US)

(73) Assignee: **Conair CIP, Inc.**, Stamford, CT (US)

(**) Term: **14 Years**

(21) Appl. No.: **29/153,595**

(22) Filed: **Jan. 10, 2002**

(51) **LOC (7) Cl.** **28-03**

(52) **U.S. Cl.** **D28/18**

(58) **Field of Search** D28/18, 12-16; 132/271, 272; 34/96-100; 392/384, 385

(56) **References Cited**

U.S. PATENT DOCUMENTS

D238,109 S	*	12/1975	Vitella	D28/18
4,019,260 A		4/1977	Levy et al.	34/97
D247,630 S		3/1978	Wistrand	D28/13
D252,952 S	*	9/1979	Wistrand	D28/13
4,366,368 A		12/1982	Stephens, III	219/367
4,525,623 A		6/1985	Da Silva	219/373
4,602,146 A		7/1986	Barns et al.	219/373
4,848,007 A		7/1989	Montagnino	34/97
4,977,306 A		12/1990	Kosaka et al.	392/380
5,054,211 A		10/1991	Shulman	34/97
5,157,757 A		10/1992	McDougall	392/383
5,392,528 A		2/1995	McDougall	34/97
5,467,540 A		11/1995	Bastien	34/97
5,471,763 A		12/1995	McArthur	34/96
5,598,640 A		2/1997	Schepisi	34/97
5,649,370 A	*	7/1997	Russo	34/96
5,661,910 A		9/1997	Schepisi	34/97

D411,646 S	*	6/1999	Muller	D28/18
5,966,833 A	*	10/1999	Andis et al.	34/97
6,011,903 A		1/2000	Nosenchuck	392/385
6,038,782 A		3/2000	Schepisi	34/97
6,085,435 A	*	7/2000	Russi	34/97
D433,181 S		10/2000	Chu	D28/13
D436,690 S		1/2001	Cruz et al.	D28/13
6,205,677 B1	*	3/2001	Yune	34/96
6,377,749 B2	*	4/2002	Ohmura	34/97

FOREIGN PATENT DOCUMENTS

EP 0 441 752 A1 8/1991

* cited by examiner

Primary Examiner—Lucy Lieberman

(74) *Attorney, Agent, or Firm*—Ohlandt, Greeley, Ruggiero&Perle LLP

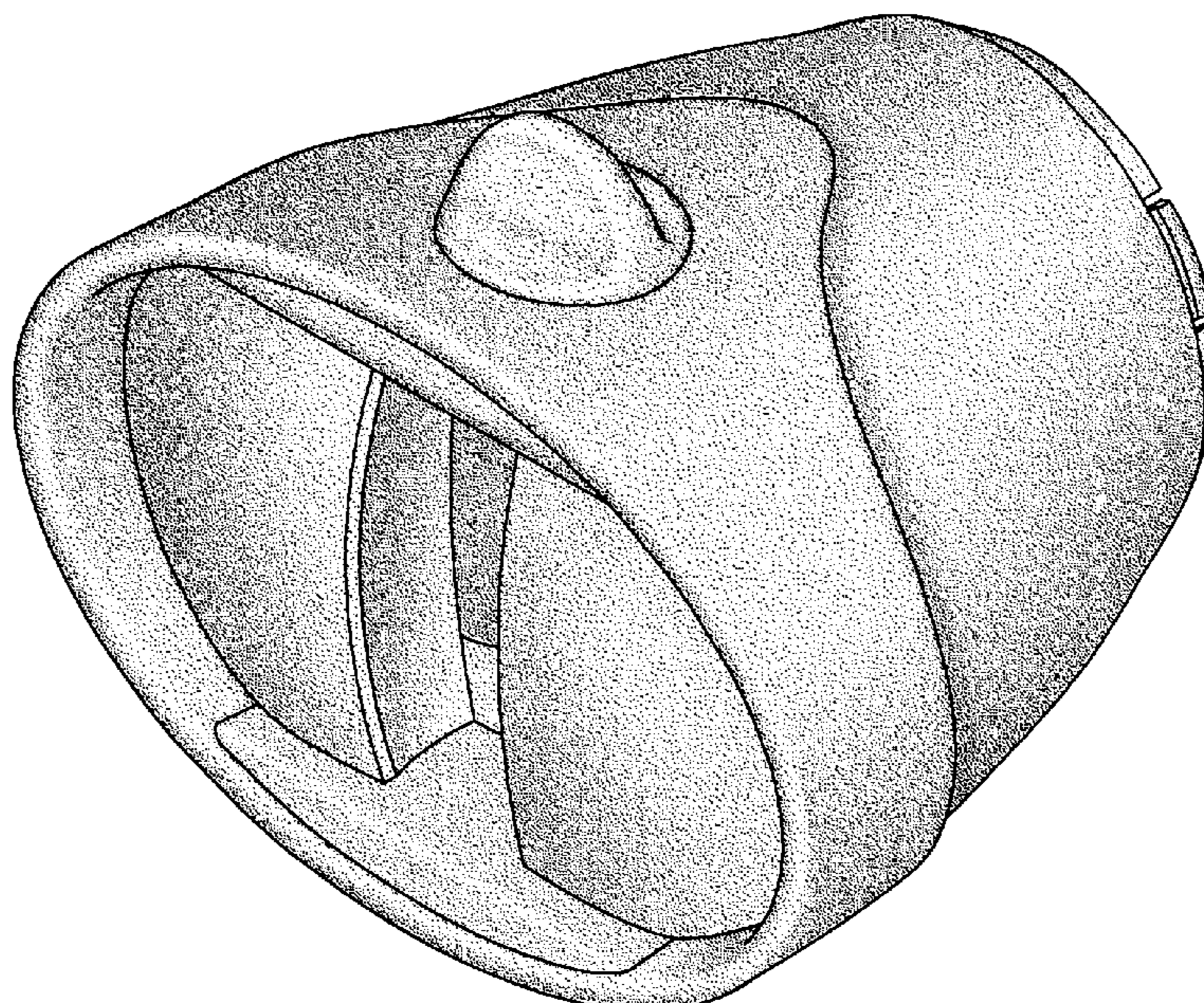
(57) **CLAIM**

The ornamental design for an attachment for a hair dryer, as shown and described.

DESCRIPTION

FIG. 1 is a perspective view of an attachment for a hair dryer according to the present invention;
 FIG. 2 is a side view of the attachment for the hair dryer of FIG. 1, the opposite side being symmetric thereto;
 FIG. 3 is a first end view of the attachment for the hair dryer of FIG. 1;
 FIG. 4 is a second end view, opposite the first end view, of the attachment for the hair dryer of FIG. 1;
 FIG. 5 is a first plan view of the attachment for the hair dryer of FIG. 1; and,
 FIG. 6 is a second plan view, opposite the first plan view, of the attachment for the hair dryer of FIG. 1.

1 Claim, 3 Drawing Sheets



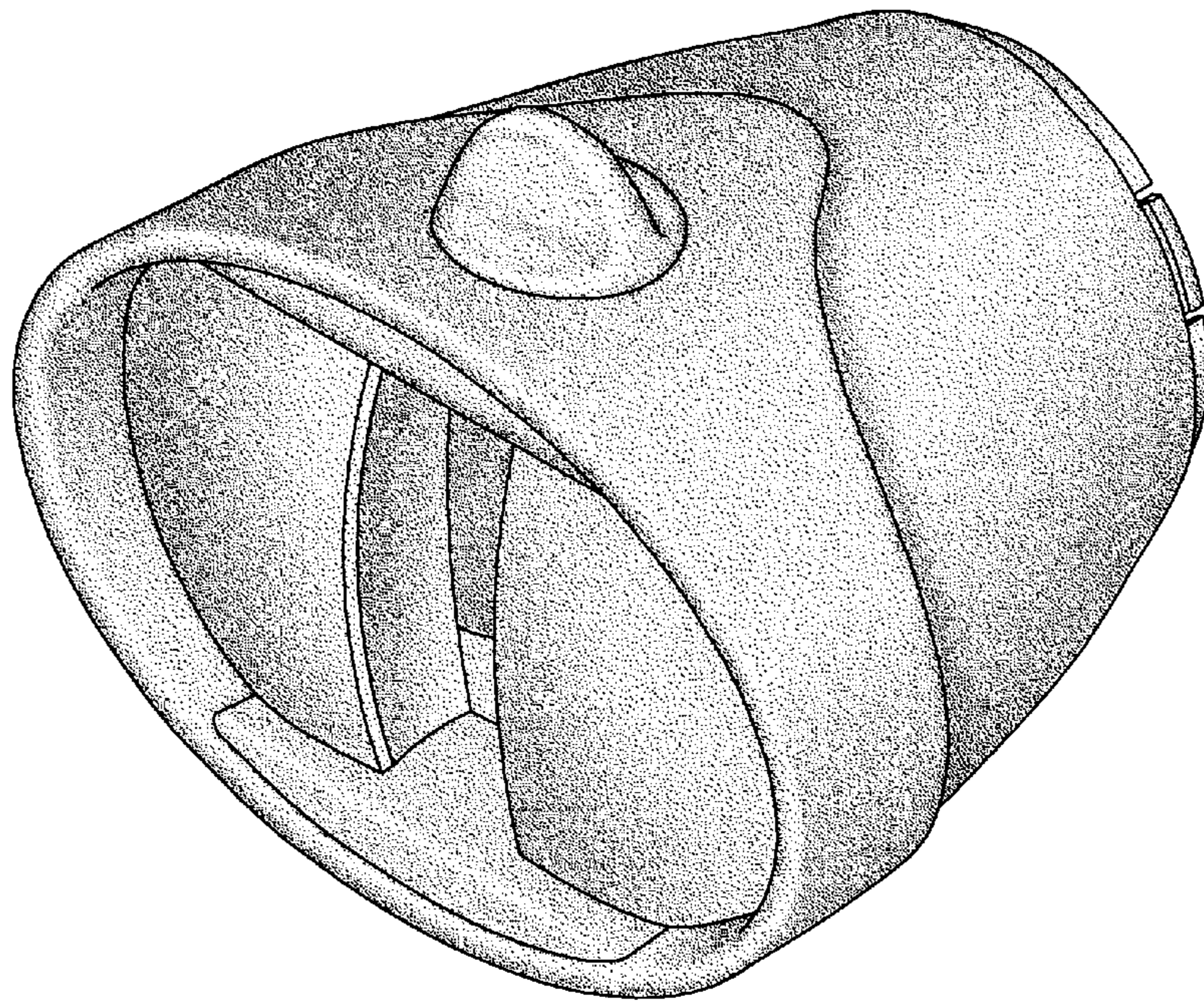


FIG. 1

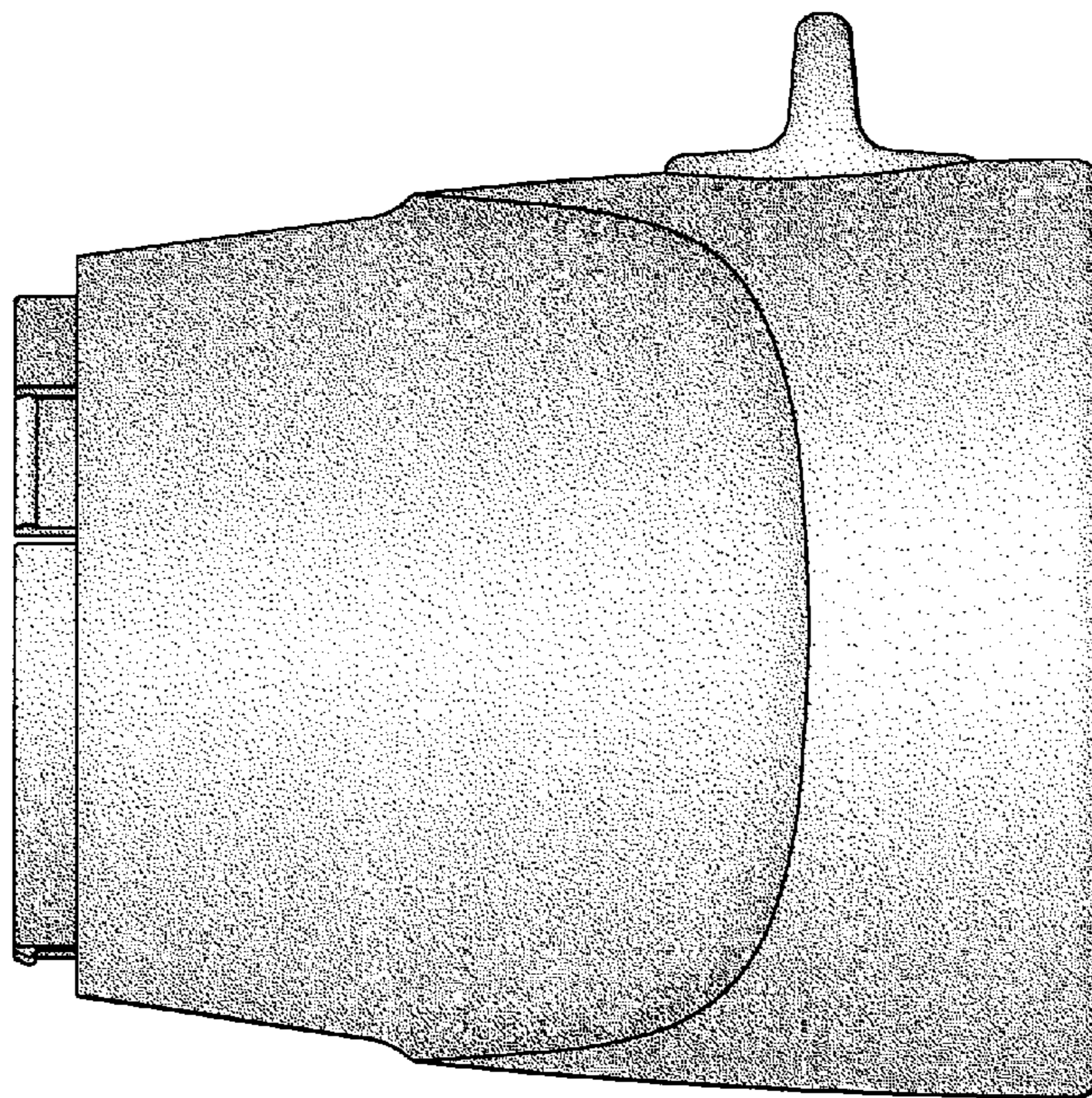


FIG. 2

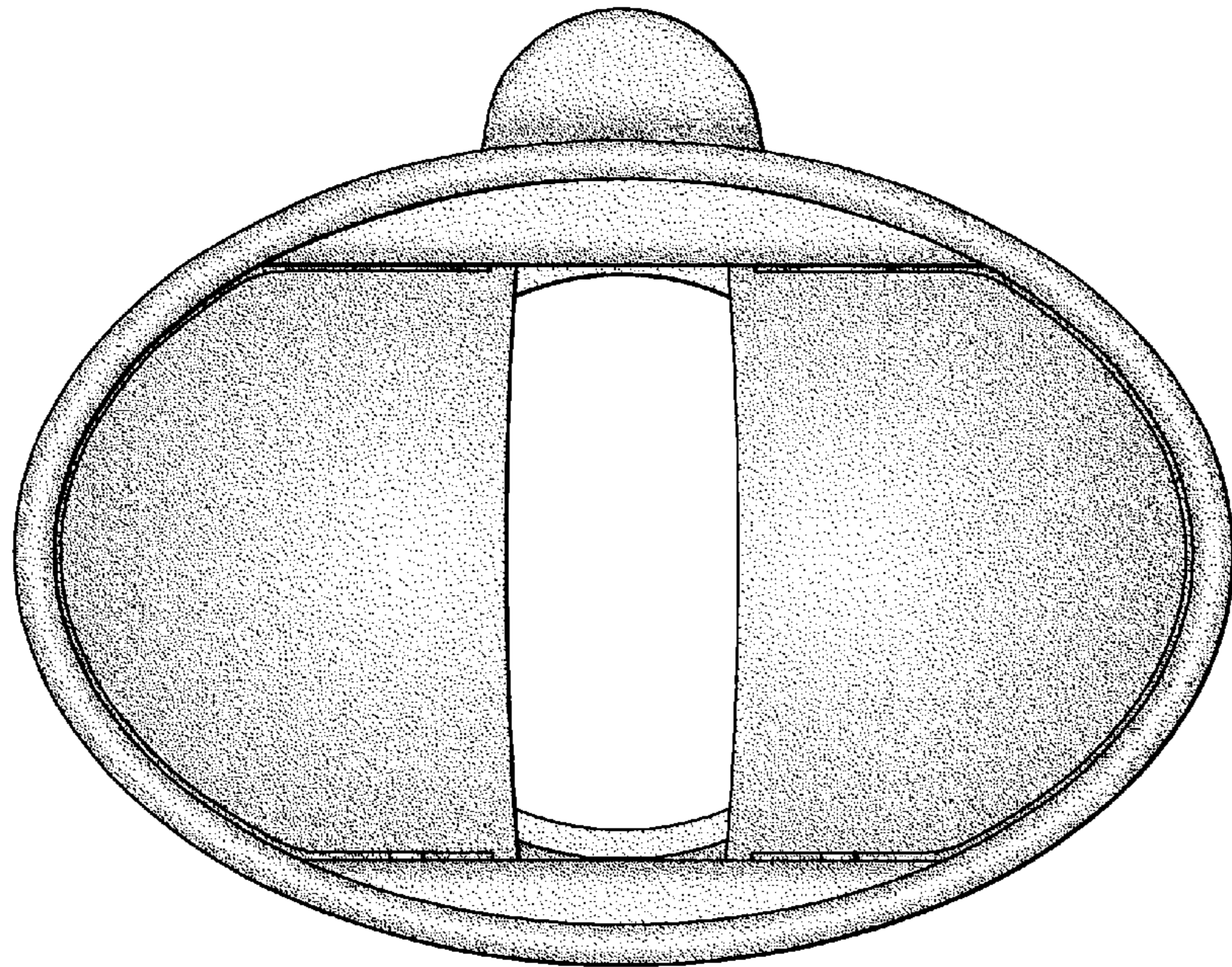


FIG. 3

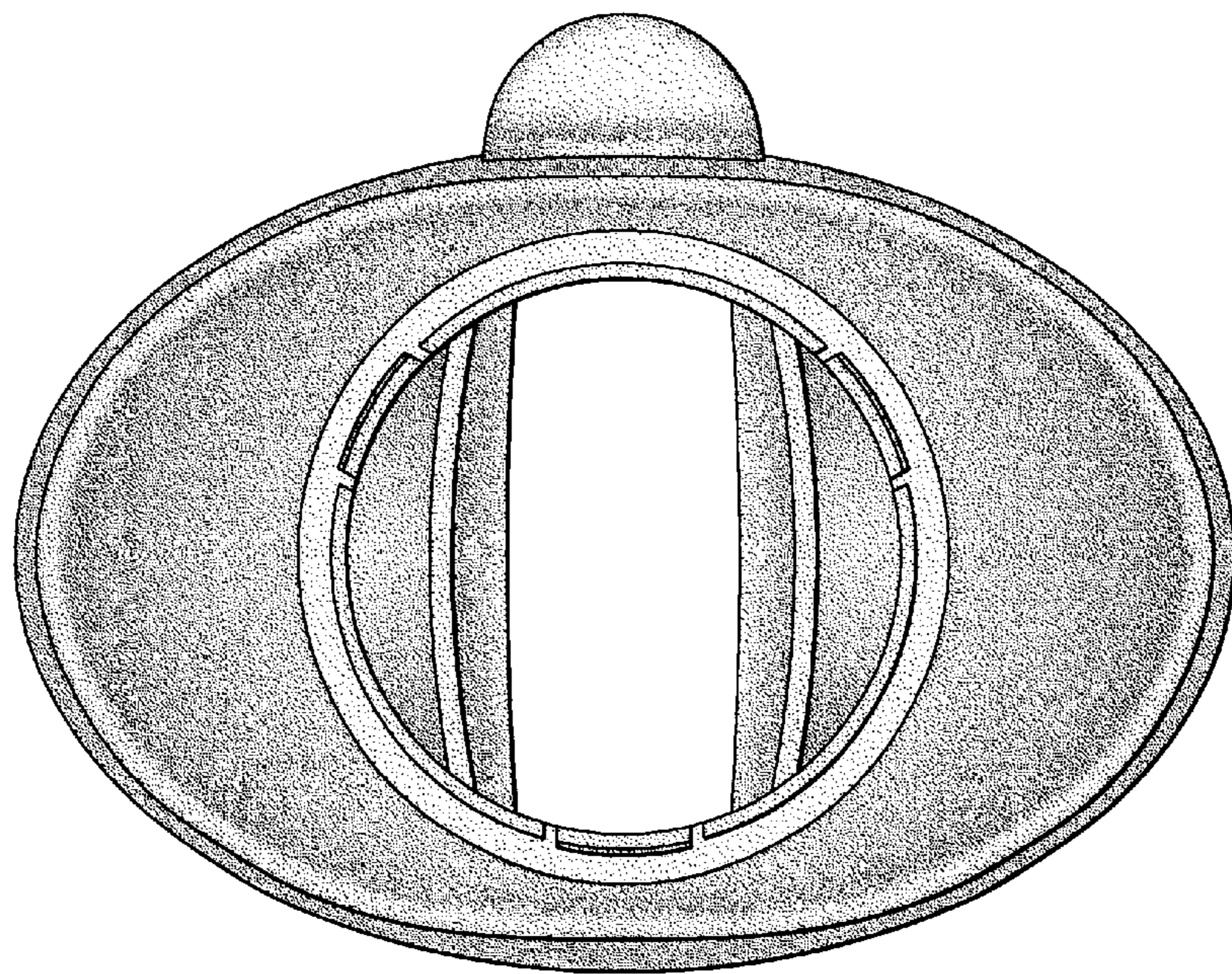


FIG. 4

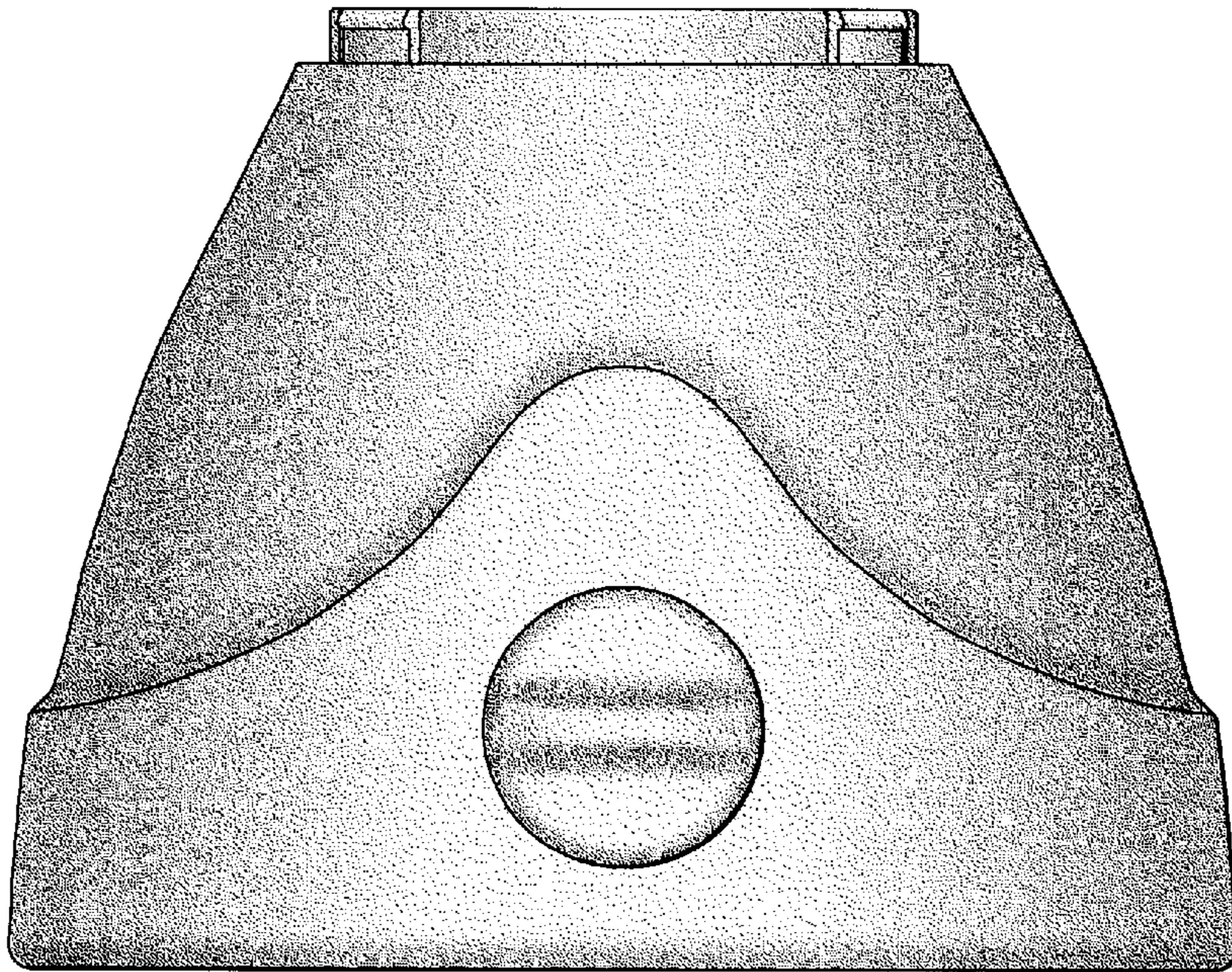


FIG. 5

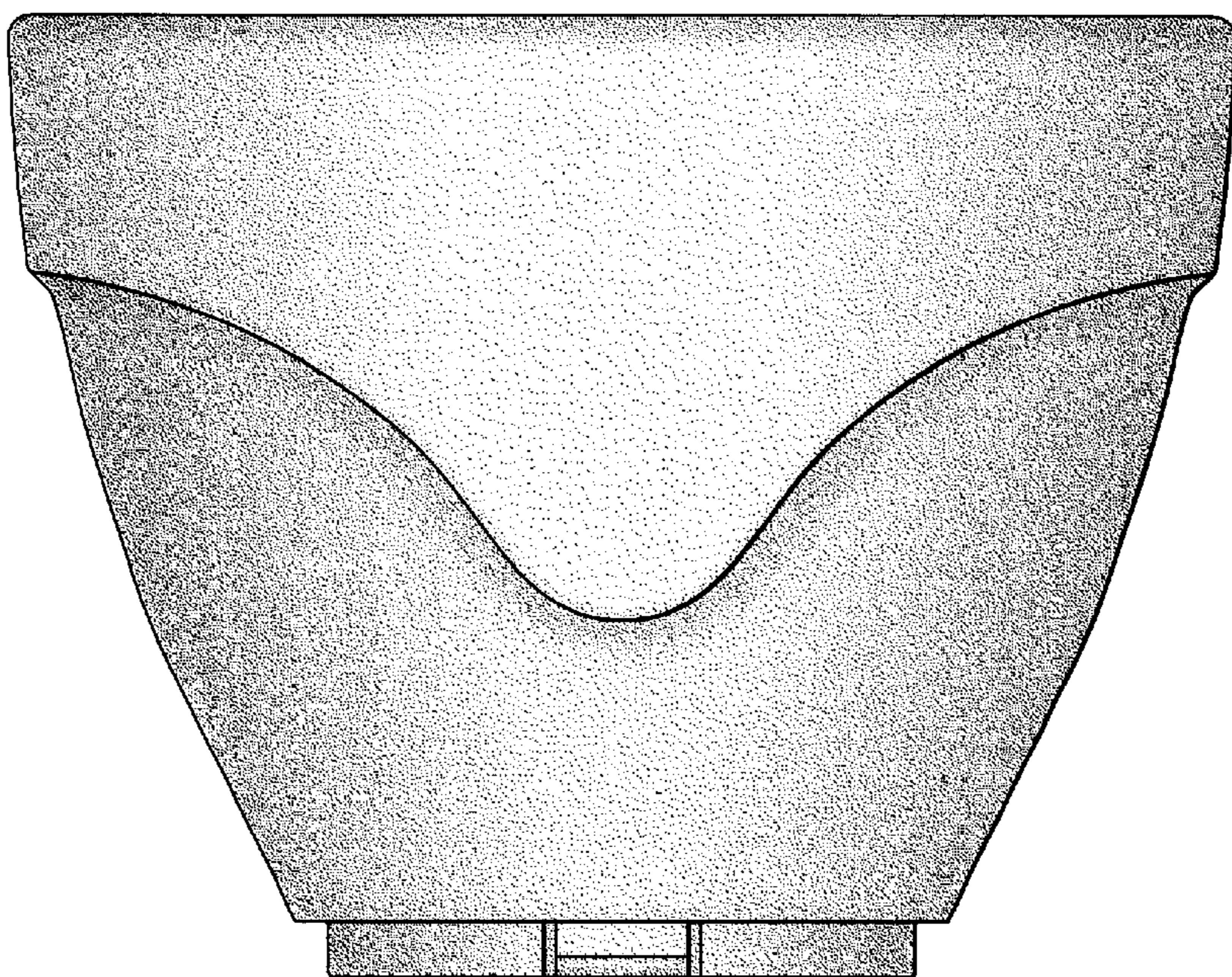


FIG. 6