



US00D467028S

(12) **United States Design Patent**
Okano

(10) **Patent No.:** **US D467,028 S**

(45) **Date of Patent:** **** Dec. 10, 2002**

(54) **COVER LENS FOR AN AUTOMOTIVE LAMP**

3,163,367 A * 12/1964 Bodian 362/330
D254,693 S * 4/1980 Yahraus et al. D26/123
D263,287 S * 3/1982 Maxeiner D26/122 X

(75) Inventor: **Hirofumi Okano**, Saitama Prefecture (JP)

* cited by examiner

(73) Assignee: **Kabushiki Kaisha T AN T**, Saitama Prefecture (JP)

Primary Examiner—Jennifer Rivard

(74) *Attorney, Agent, or Firm*—Nixon & Vanderhye P.C.

(**) Term: **14 Years**

(57) **CLAIM**

(21) Appl. No.: **29/149,271**

The ornamental design for a “cover lens for an automotive lamp”, as shown and described.

(22) Filed: **Oct. 9, 2001**

DESCRIPTION

(30) **Foreign Application Priority Data**

Apr. 10, 2001 (JP) 2001-010357

(51) **LOC (7) Cl.** **26-99**

(52) **U.S. Cl.** **D26/120; D26/139**

(58) **Field of Search** D26/120, 121,
D26/122, 123, 124, 139, 77; 362/326–340,
455, 186, 363, 364, 365

FIG. 1 is a perspective view of a cover lens for an automotive lamp which embodies my new and original design therefor, the dashed line in FIG. 1 representing structural environment only therefor and forms no part of my claimed design;

FIG. 2 is a top plan view of thereof;

FIG. 3 is a bottom plan view thereof;

FIGS. 4 and 5 are right and left side elevational views thereof, respectively; and,

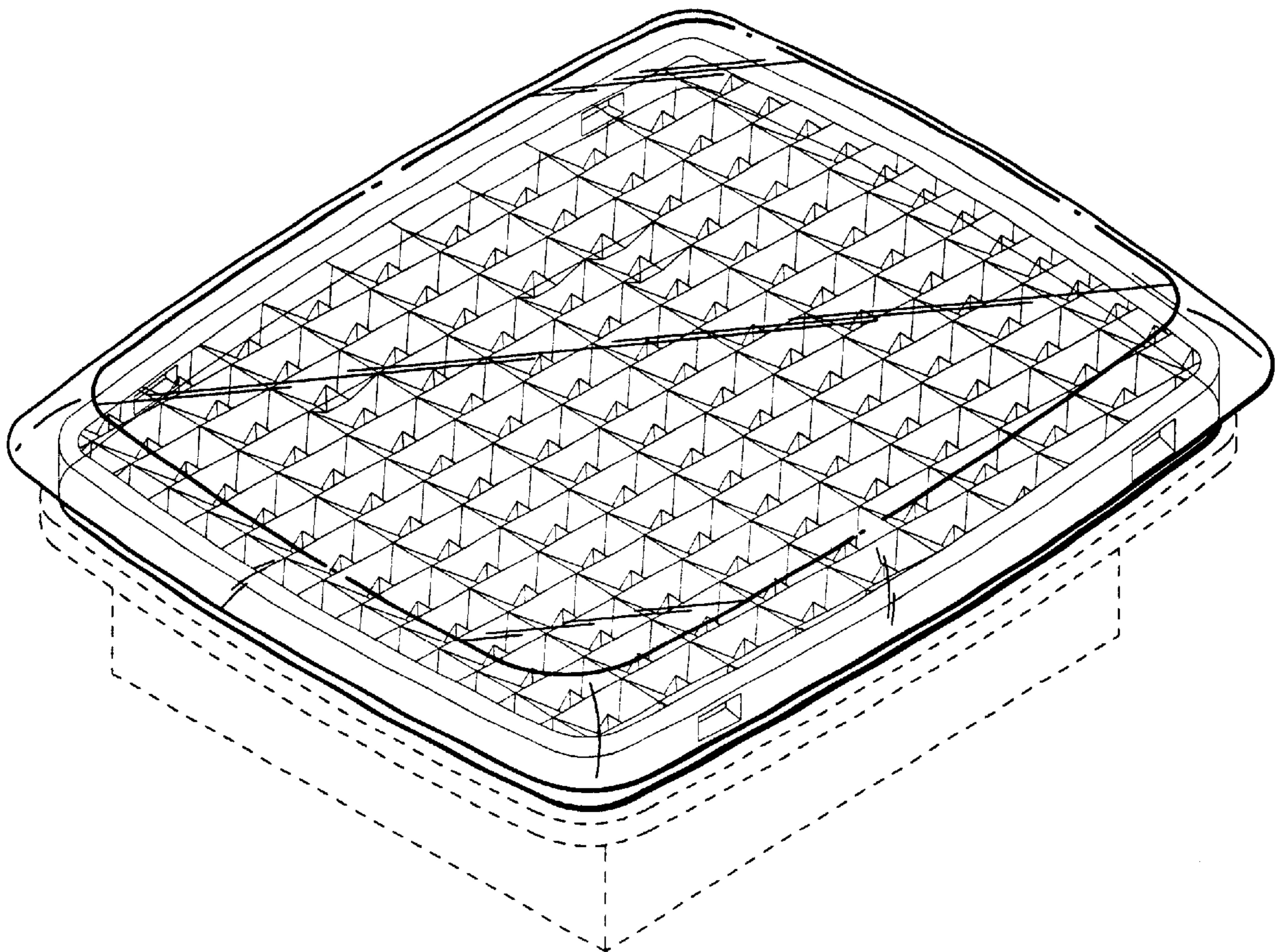
FIGS. 6 and 7 are front and rear side elevational views thereof, respectively.

(56) **References Cited**

U.S. PATENT DOCUMENTS

D171,867 S * 3/1954 Schreckengost D26/122

1 Claim, 4 Drawing Sheets



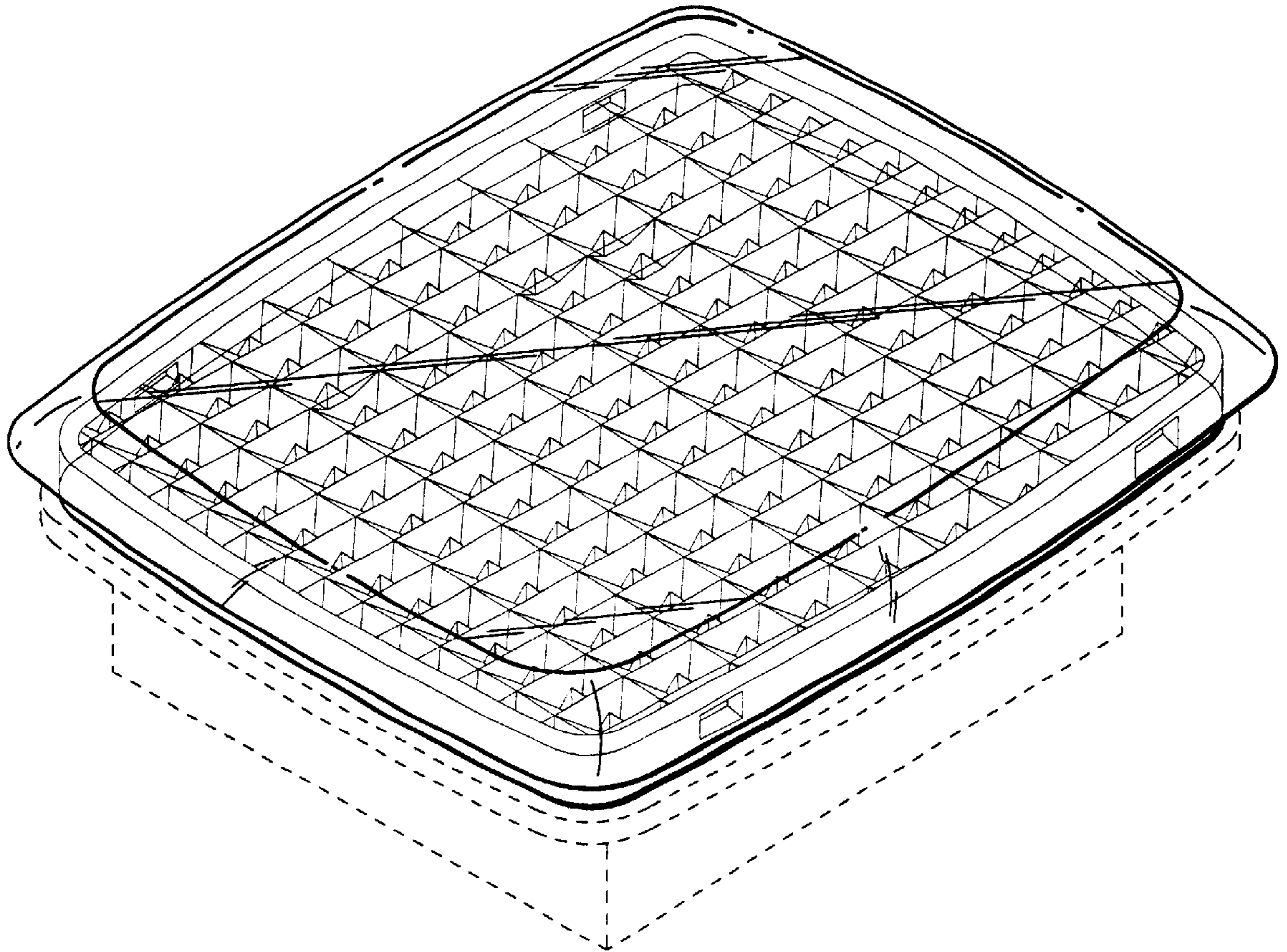


Fig. 1

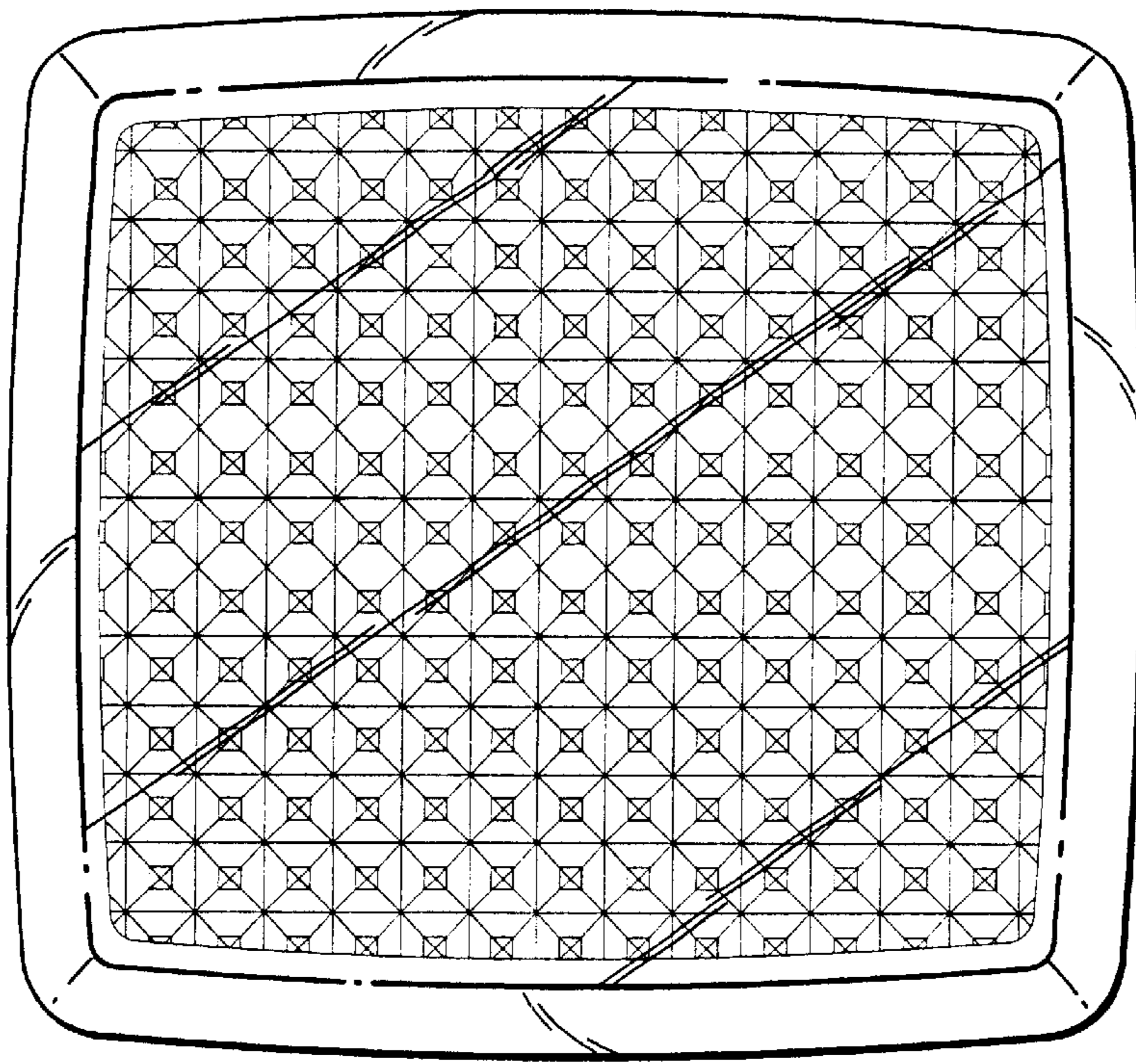


Fig. 2

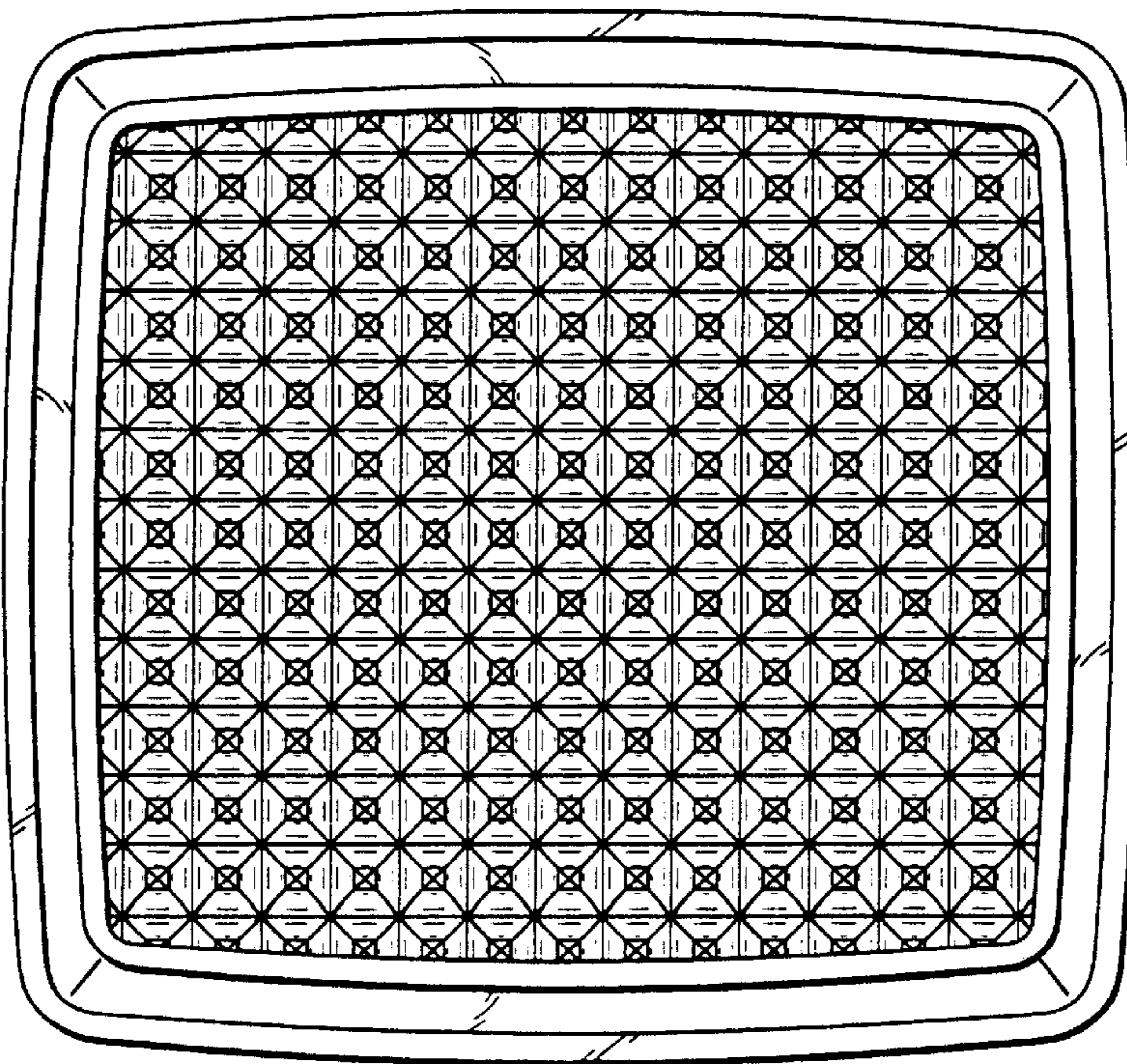


Fig. 3

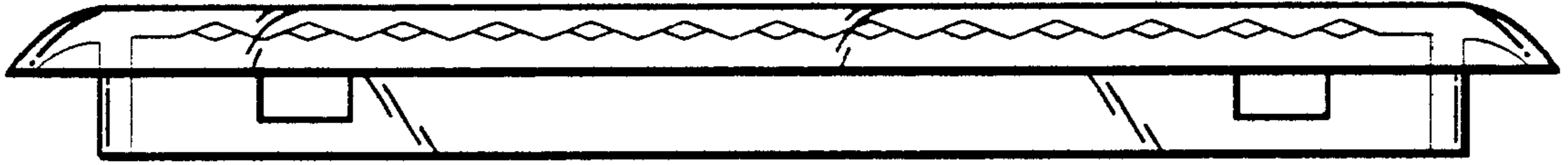


Fig. 4



Fig. 5

Fig. 6



Fig. 7

