



US00D467027S

(12) **United States Design Patent**  
**Huang**

(10) **Patent No.:** **US D467,027 S**

(45) **Date of Patent:** **\*\* Dec. 10, 2002**

(54) **WIRE GRILL GUARD WITH PERMANENT  
FIX HOOK FOR ALL KINDS OF LIGHTING**

(75) Inventor: **Tung-Chien Huang**, Taipei (TW)

(73) Assignee: **Pollux Lighting Inc.**, Taipei (TW)

(\*\*) Term: **14 Years**

(21) Appl. No.: **29/138,091**

(22) Filed: **Mar. 6, 2001**

(51) **LOC (7) Cl.** ..... **26-99**

(52) **U.S. Cl.** ..... **D26/119**

(58) **Field of Search** ..... 362/344, 358,  
362/376, 375; D26/119, 118; 248/249, 302,  
300

(56) **References Cited**

**U.S. PATENT DOCUMENTS**

5,149,039 A \* 9/1992 Peterson et al. .... 248/300  
5,493,484 A \* 2/1996 Osteen et al. .... 362/375

D417,031 S \* 11/1999 Joyner et al. .... D26/119

\* cited by examiner

*Primary Examiner*—Jennifer Rivard

(74) *Attorney, Agent, or Firm*—Baker & McKenzie, Taipei;  
Ya-Chiao Chang; Anna Y. Tsang

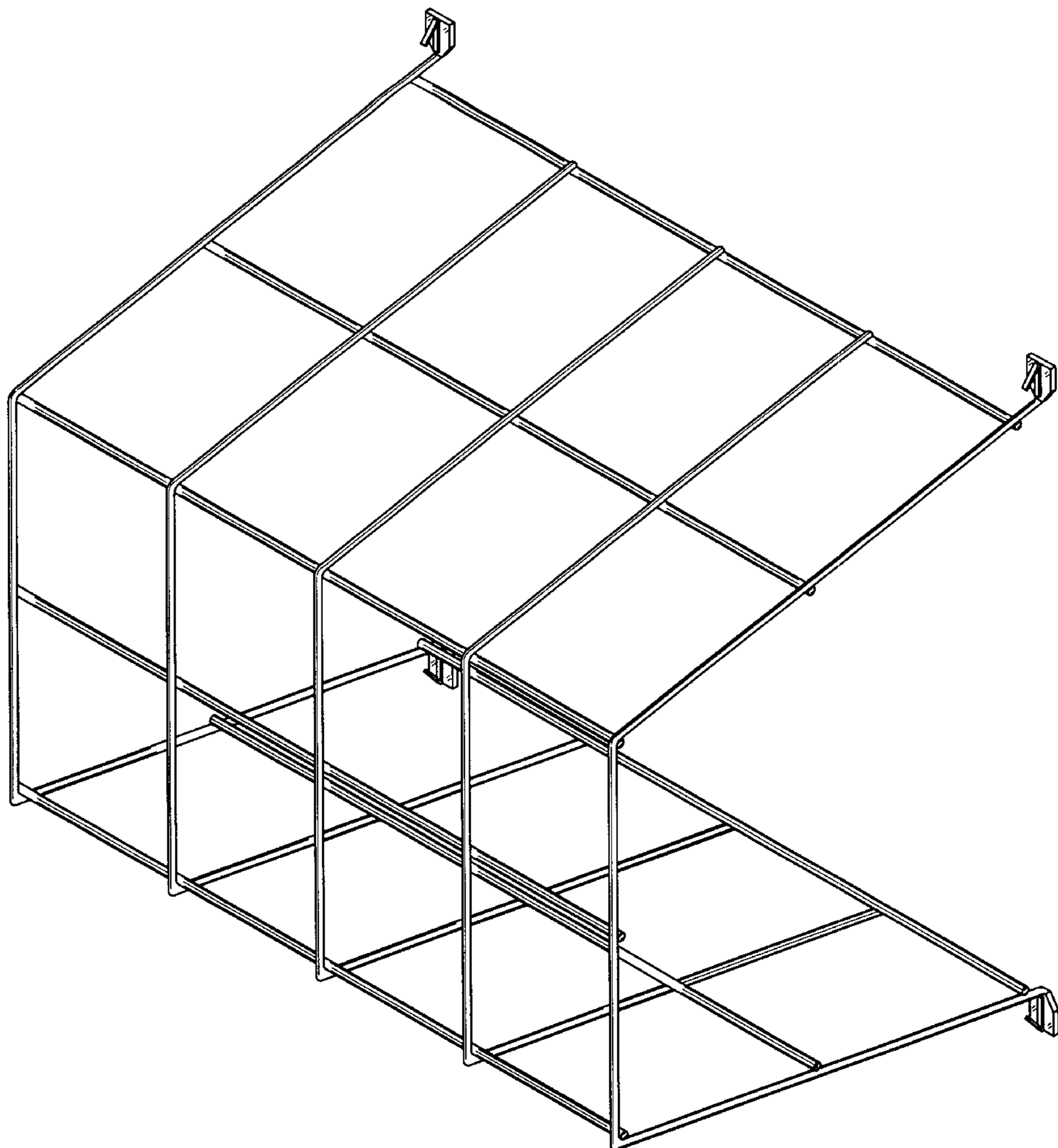
(57) **CLAIM**

The ornamental design for the wire grill guard with permanent fix hook for all kinds of lighting, as shown and described.

**DESCRIPTION**

FIG. 1 is a perspective view thereof;  
FIG. 2 is a front view thereof;  
FIG. 3 is a rear view thereof;  
FIG. 4 is a left side view thereof;  
FIG. 5 is a right side view thereof;  
FIG. 6 is a top view thereof; and,  
FIG. 7 is a bottom view thereof.

**1 Claim, 7 Drawing Sheets**



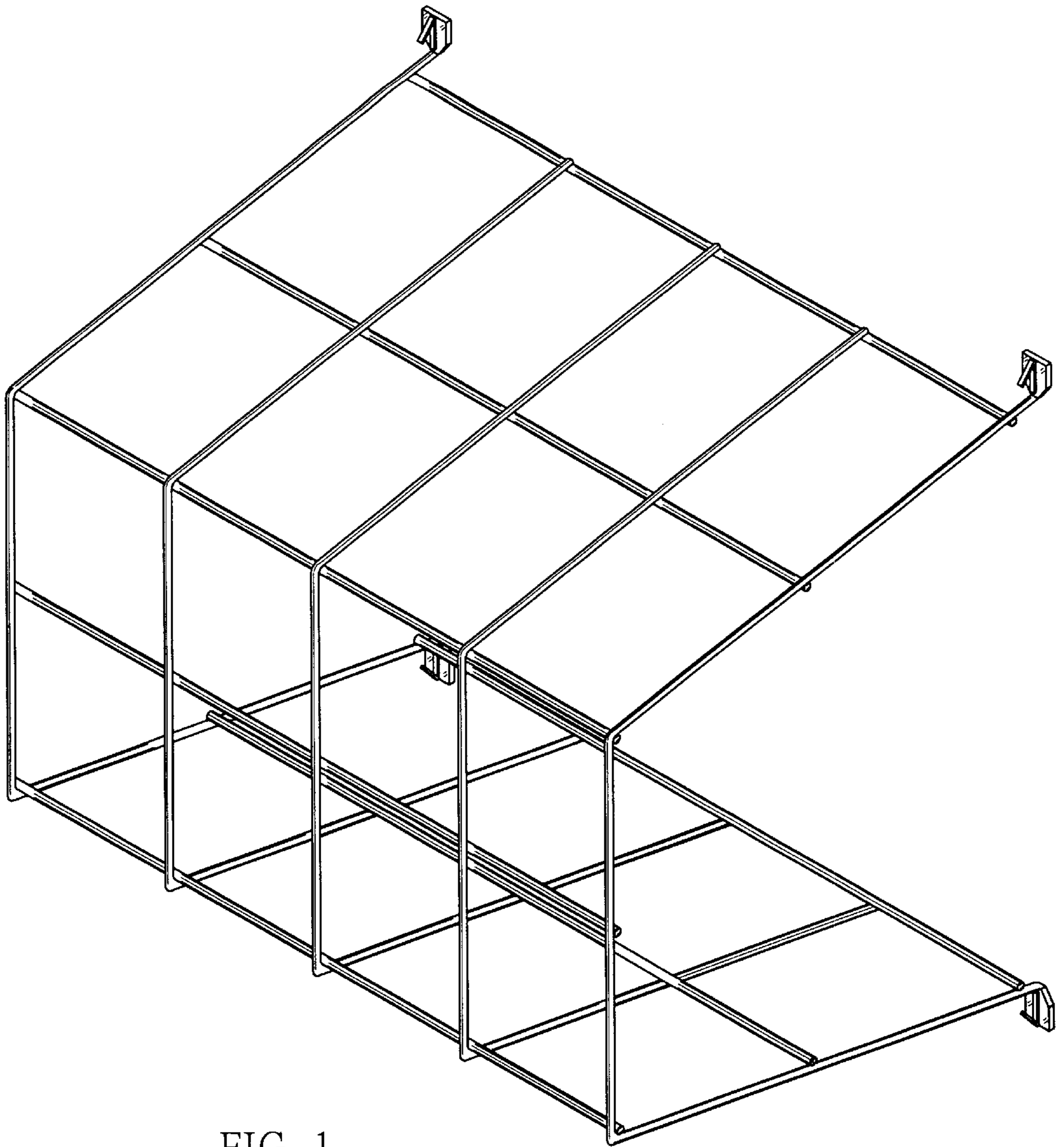


FIG. 1

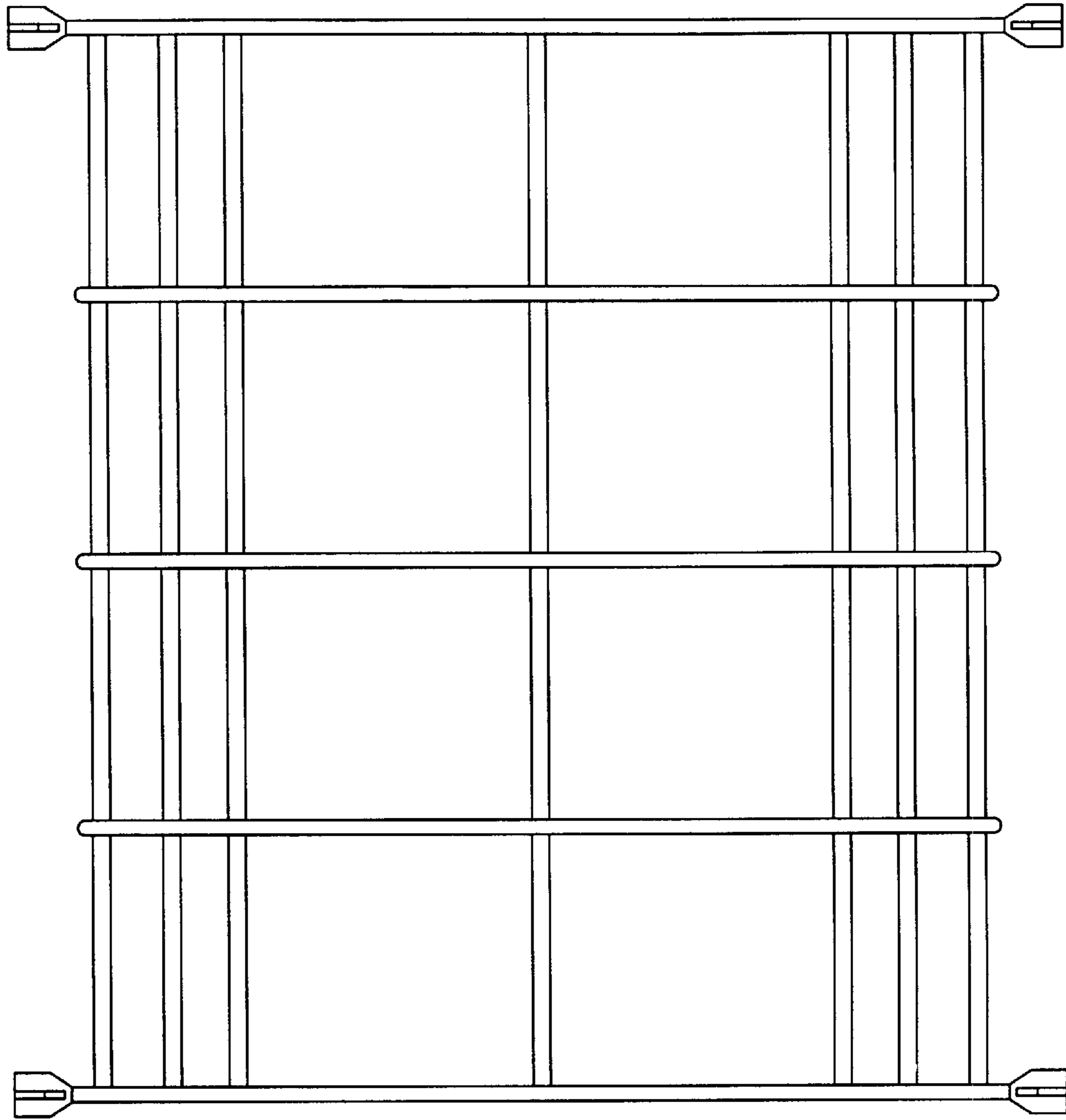


FIG. 2

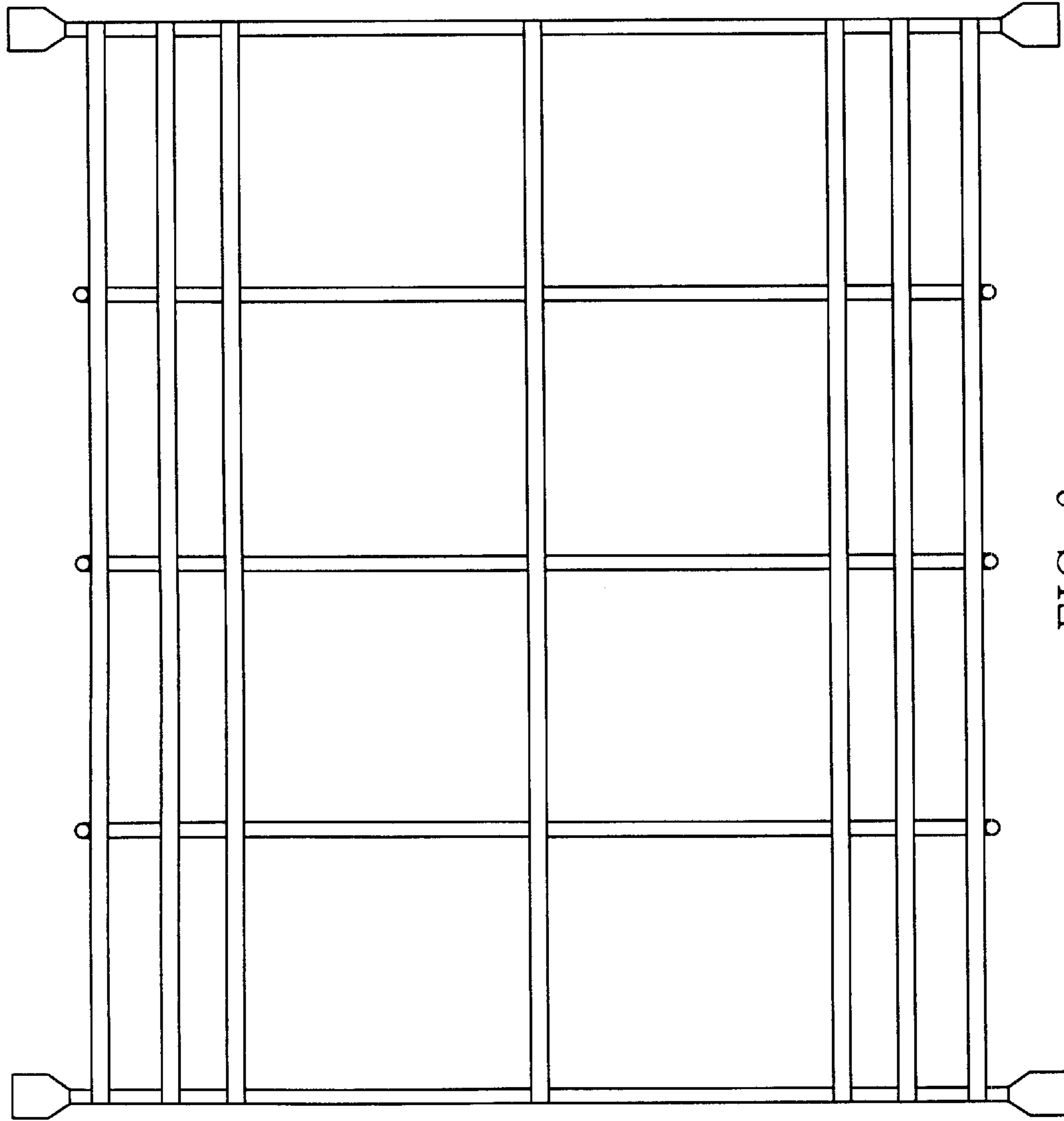


FIG. 3

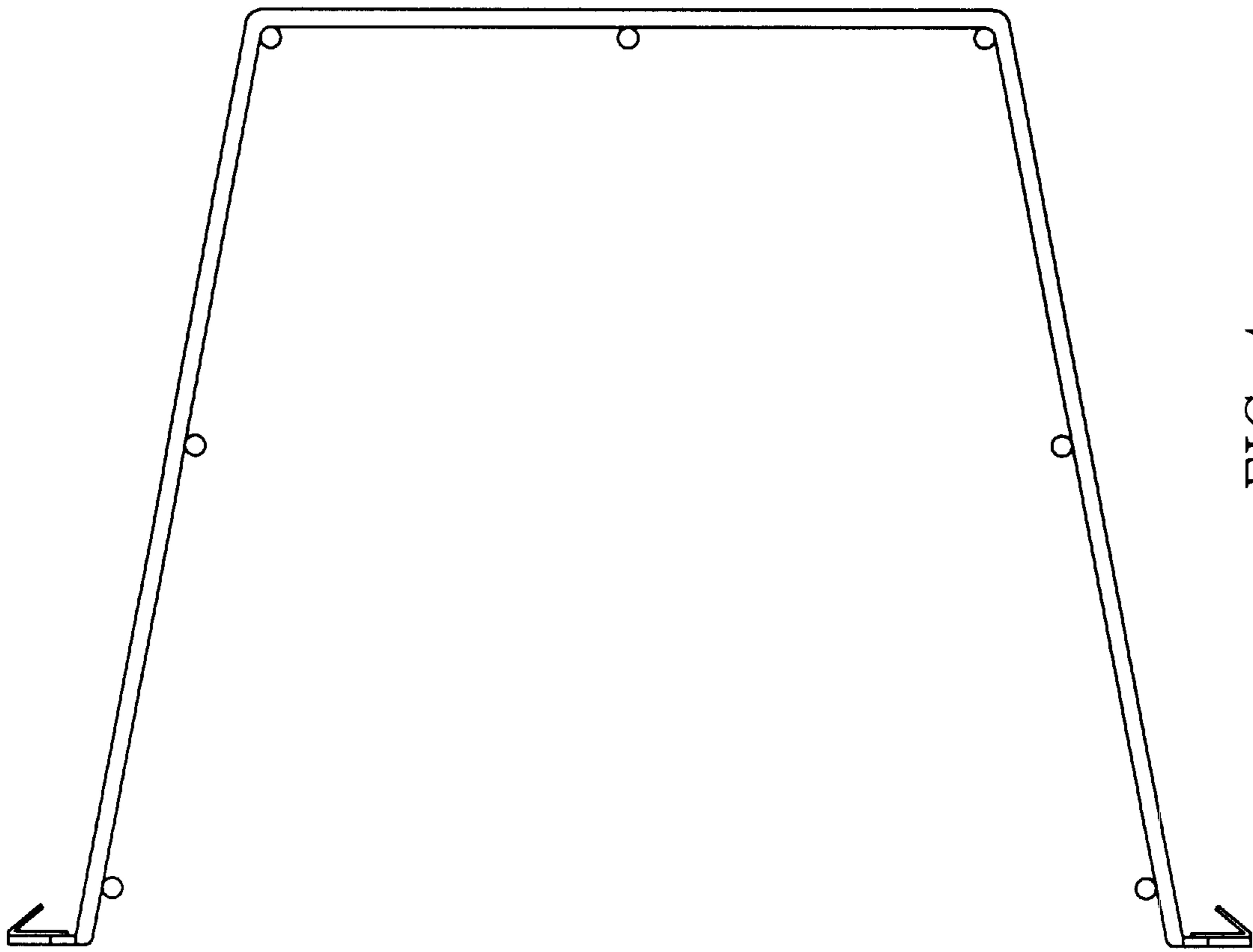


FIG. 4

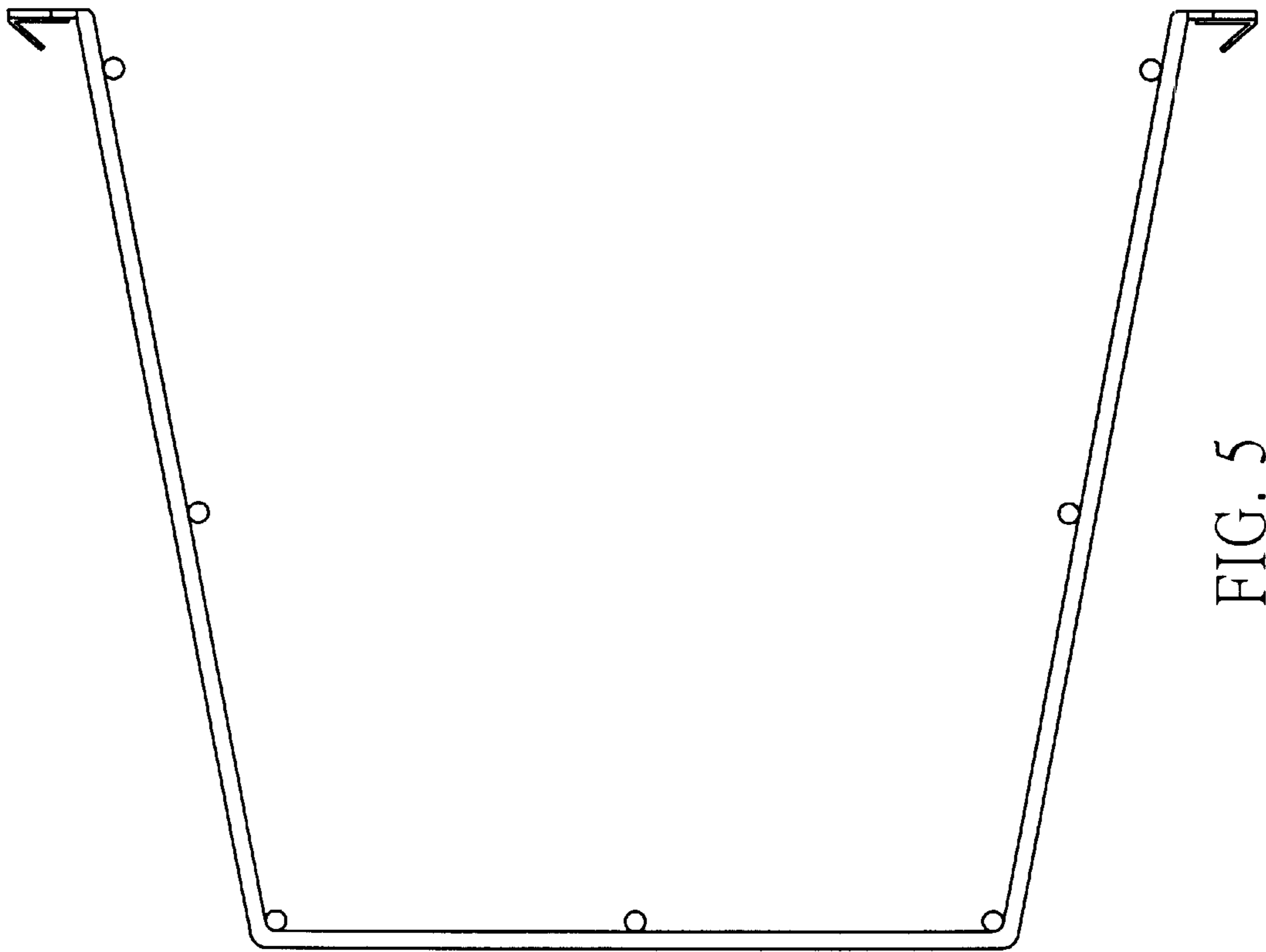


FIG. 5

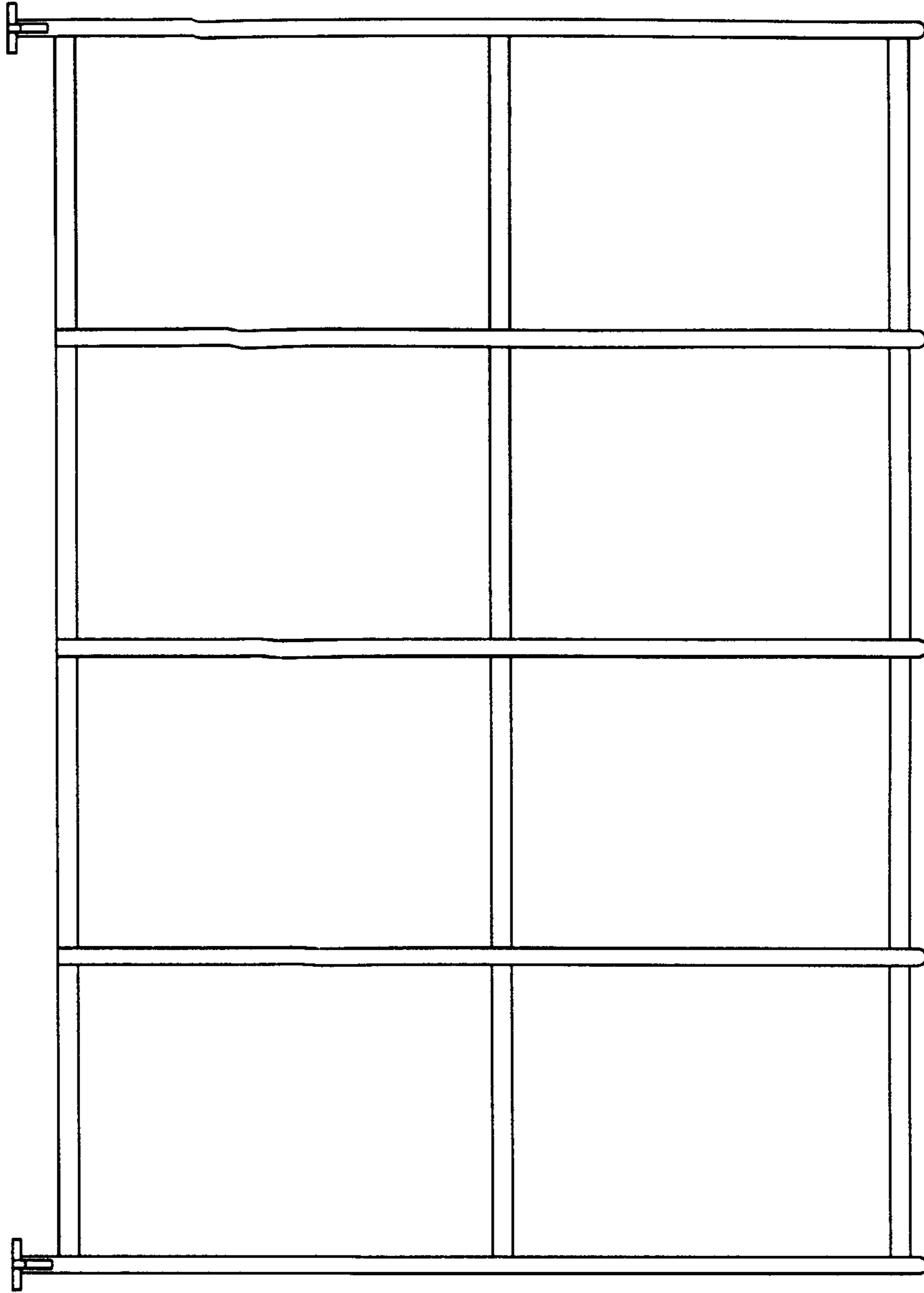


FIG. 6

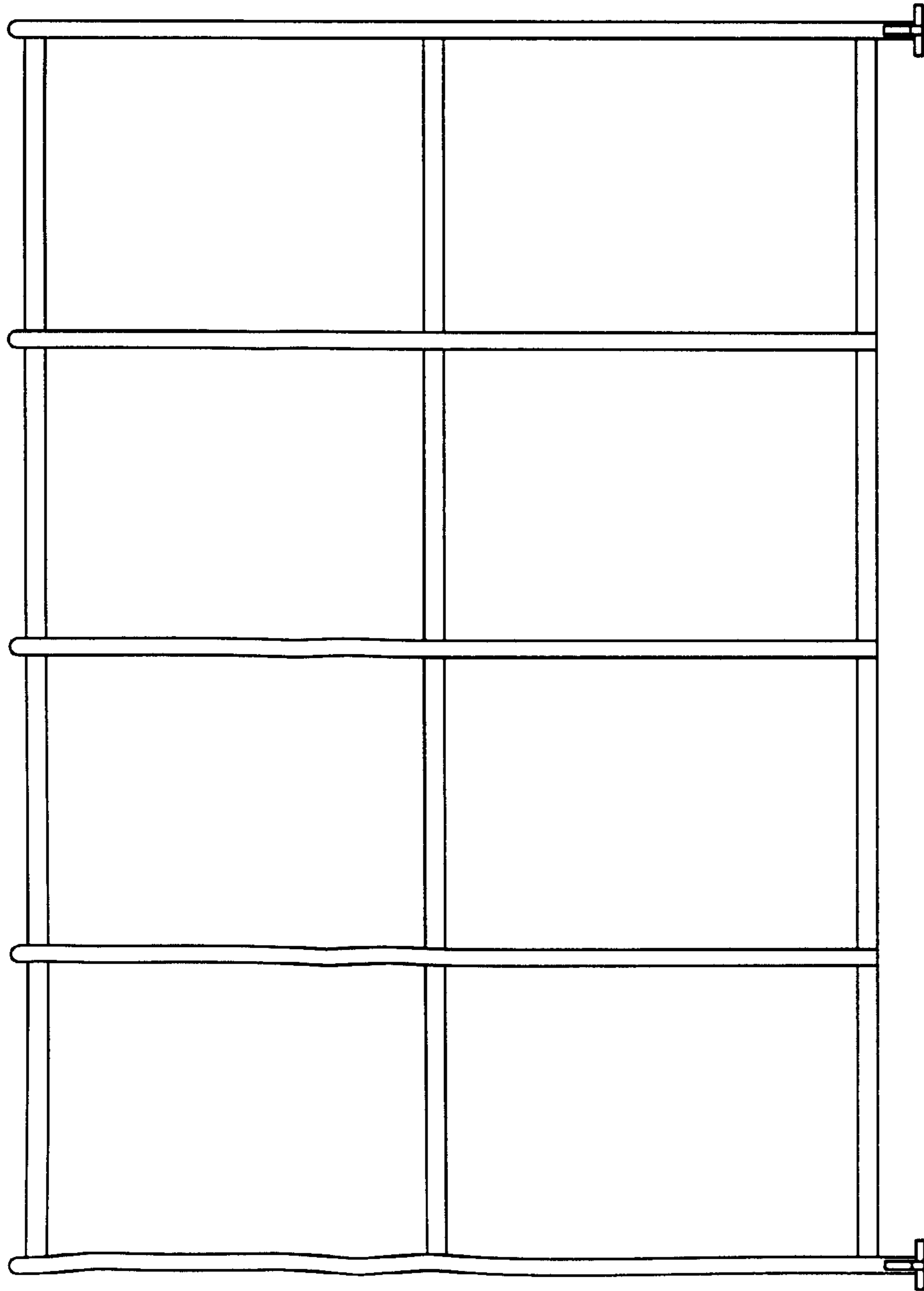


FIG. 7