



US00D467025S

(12) **United States Design Patent**  
**Tinsley**

(10) **Patent No.:** **US D467,025 S**

(45) **Date of Patent:** **\*\* Dec. 10, 2002**

(54) **LIGHT DISPLAY**

(76) **Inventor:** **Derrick Tinsley**, 3209 Cleveland Ave.,  
Santa Rosa, CA (US) 95403

(\*\*) **Term:** **14 Years**

(21) **Appl. No.:** **29/148,755**

(22) **Filed:** **Sep. 25, 2001**

(51) **LOC (7) Cl.** ..... **26-03**

(52) **U.S. Cl.** ..... **D26/110**

(58) **Field of Search** ..... D26/93-112; 362/410-414,  
362/431, 223, 260, 806, 811; 40/431

(56) **References Cited**

**U.S. PATENT DOCUMENTS**

D370,290 S	*	5/1996	Papillon	.....	D26/106
D410,560 S	*	6/1999	Bezborodko	.....	D26/110
D426,667 S	*	6/2000	Kaviani	.....	D26/110

**OTHER PUBLICATIONS**

Taiwan Lighting November 1999 magazine lamp Nos.  
RH-201, RH-202, and RH-203 on p. 139.\*

\* cited by examiner

*Primary Examiner*—Alan P. Douglas

*Assistant Examiner*—Linda Brooks

(74) *Attorney, Agent, or Firm*—Larry D. Johnson; Craig M.  
Stainbrook; Johnson & Stainbrook, LLP

(57) **CLAIM**

The ornamental design for a light display, as shown and  
described.

**DESCRIPTION**

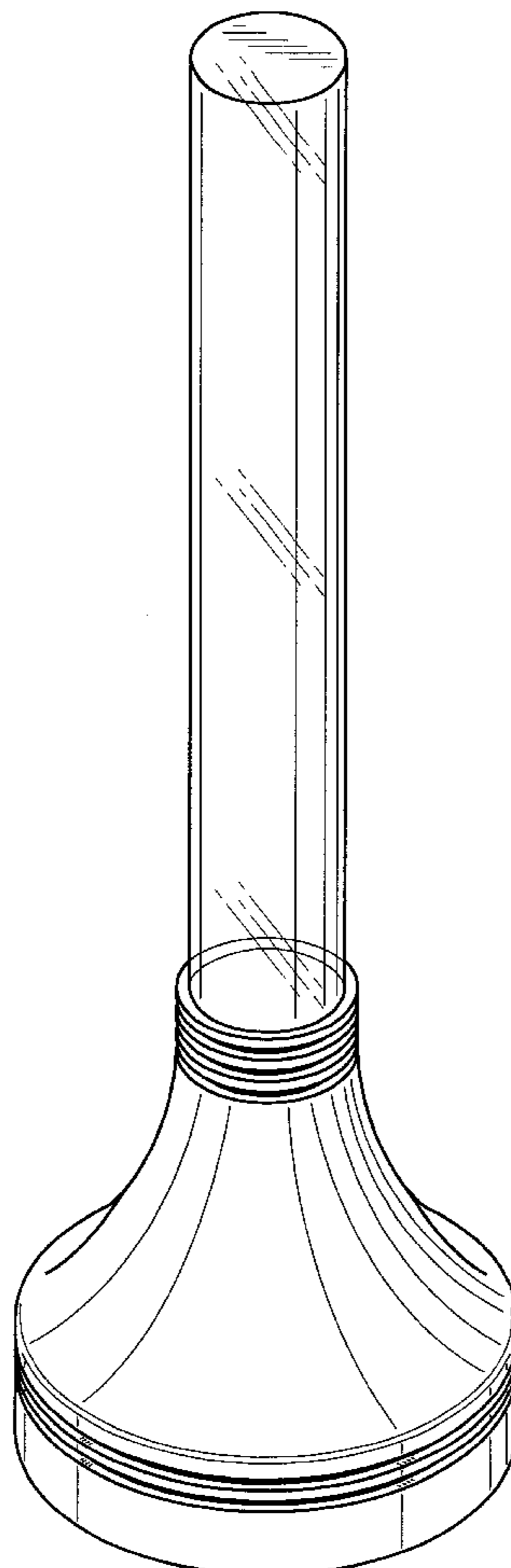
FIG. 1 is a perspective view;

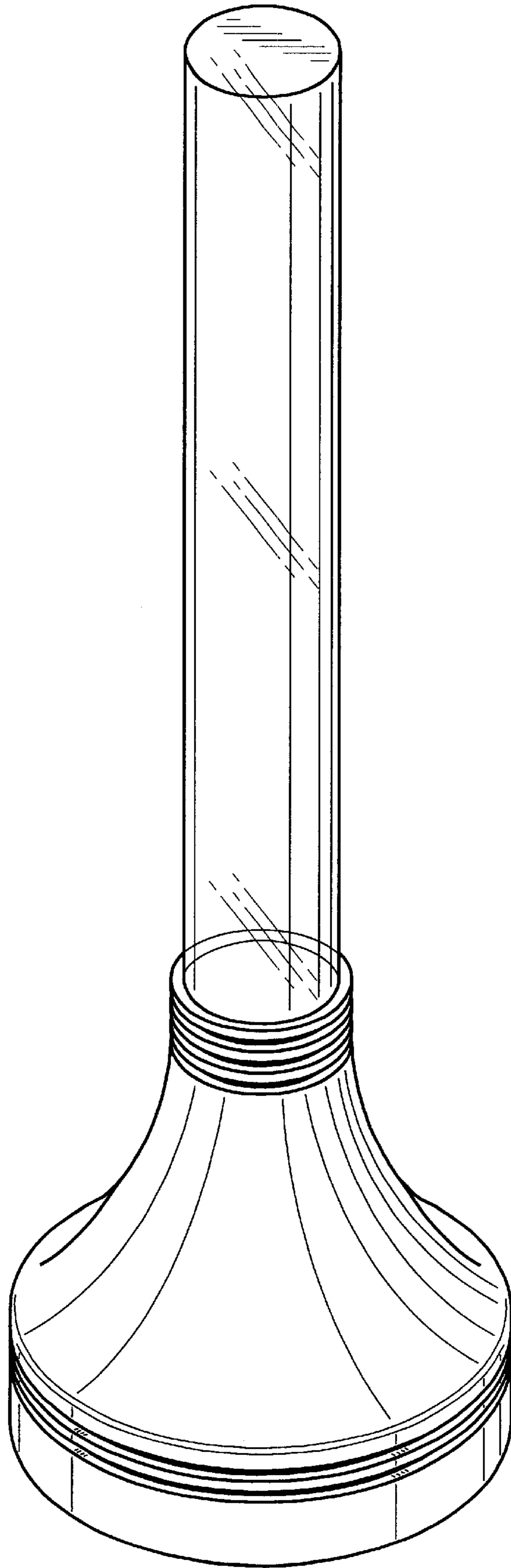
FIG. 2 is a top plan view;

FIG. 3 is a right side elevation view, all other side elevation  
views being the same; and,

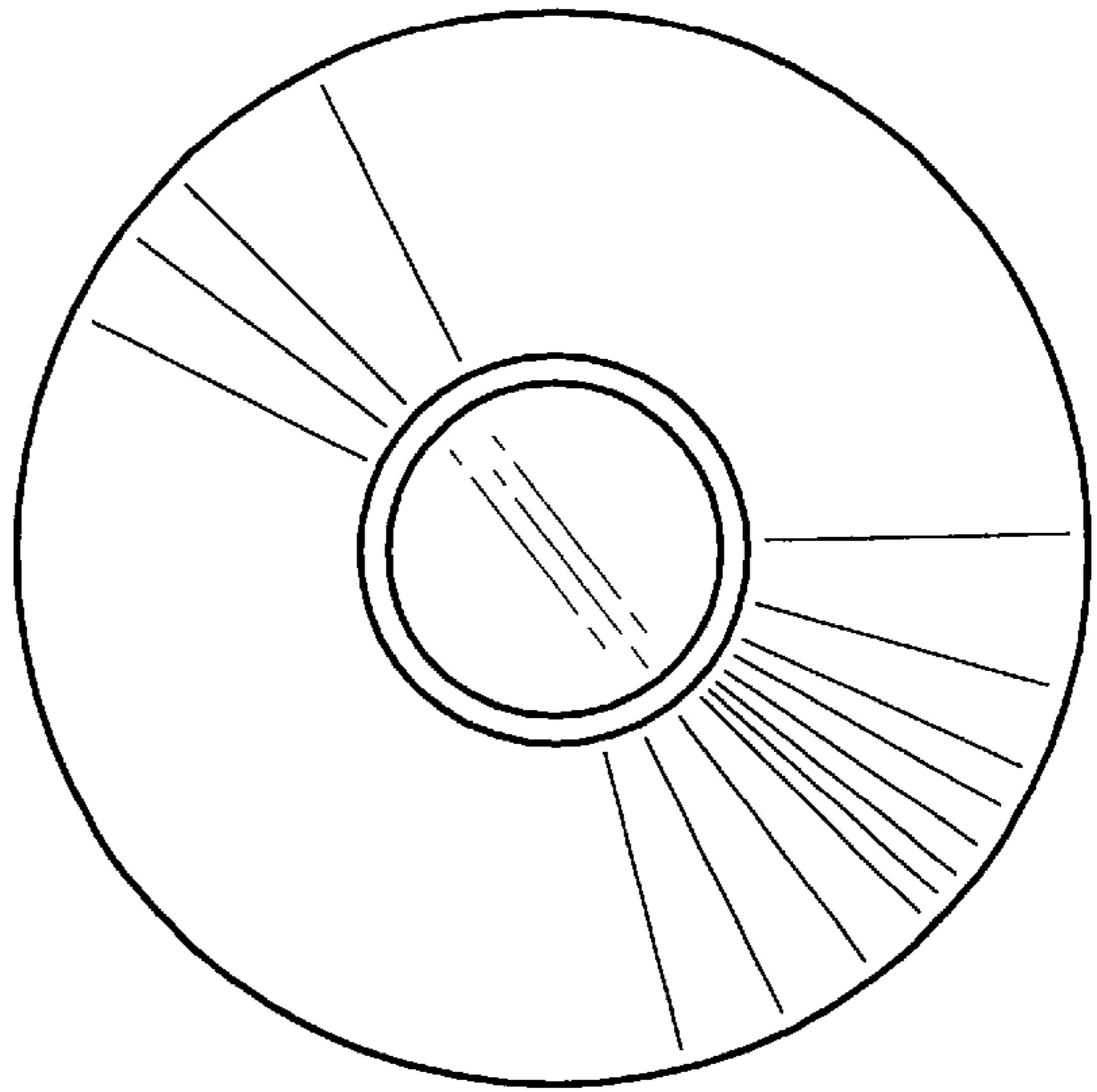
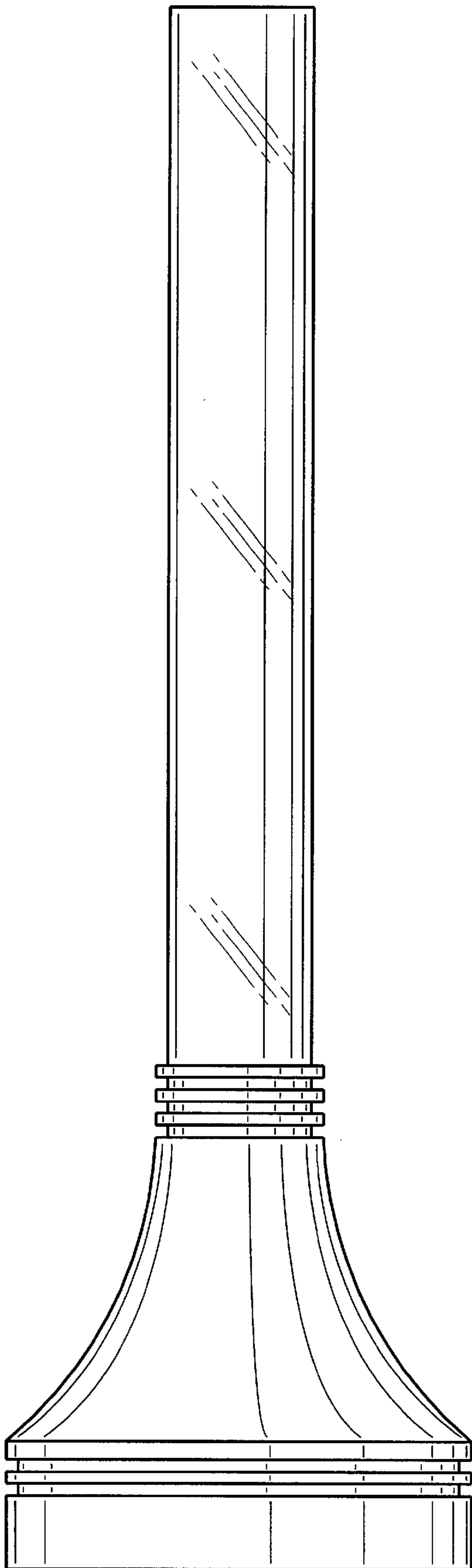
FIG. 4 is a bottom plan view.

**1 Claim, 2 Drawing Sheets**

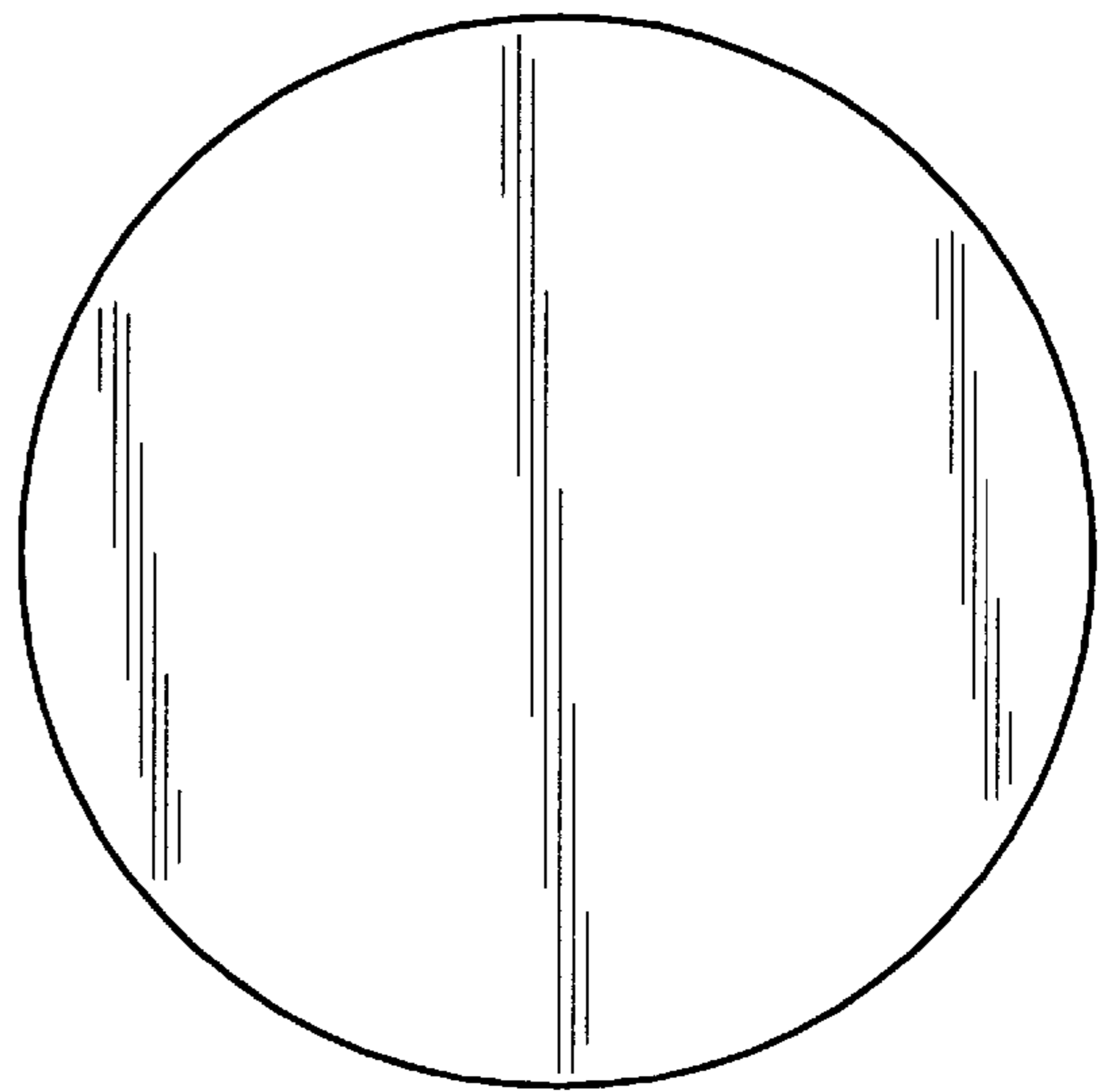




**FIG. 1**



**FIG.\_2**



**FIG.\_4**

**FIG.\_3**