



US00D467021S

(12) **United States Design Patent**
Ulc

(10) **Patent No.:** **US D467,021 S**

(45) **Date of Patent:** **** Dec. 10, 2002**

(54) **HOUSING FOR A NAVIGATION LIGHT**

D367,331 S * 2/1996 Reniger et al. D26/28

(75) Inventor: **Vaclav Ulc**, Grosspetersdorf (AT)

* cited by examiner

(73) Assignee: **Hella Fahrzeugteile Austria GmbH & Co. KG**, Grosspetersdorf (AT)

Primary Examiner—Marcus A. Jackson
(74) *Attorney, Agent, or Firm*—Herbert Dubno

(**) Term: **14 Years**

(57) **CLAIM**

(21) Appl. No.: **29/156,369**

The ornamental design for a housing for a navigation light, as shown and described.

(22) Filed: **Feb. 27, 2002**

(30) **Foreign Application Priority Data**

DESCRIPTION

Aug. 28, 2001 (AT) MU 3275/2001

FIG. 1 is a top plan view of a housing for a navigation light showing my new design, the bottom being unornamented and not visible in use;

(51) **LOC (7) Cl.** **26-04**

FIG. 2 is a front elevational view thereof;

(52) **U.S. Cl.** **D26/28**

FIG. 3 is a left side elevational view thereof, the right side elevational view being mirror symmetrical thereto;

(58) **Field of Search** D26/28-36, 61, D26/80, 81, 82, 83; 362/61, 80, 81, 82, 83, 267, 307, 311, 330-340, 362

FIG. 4 is a top, front left side perspective view thereof; and, FIG. 5 is a rear elevational view thereof.

(56) **References Cited**

U.S. PATENT DOCUMENTS

D309,784 S * 8/1990 Whitley, II D26/28

1 Claim, 5 Drawing Sheets

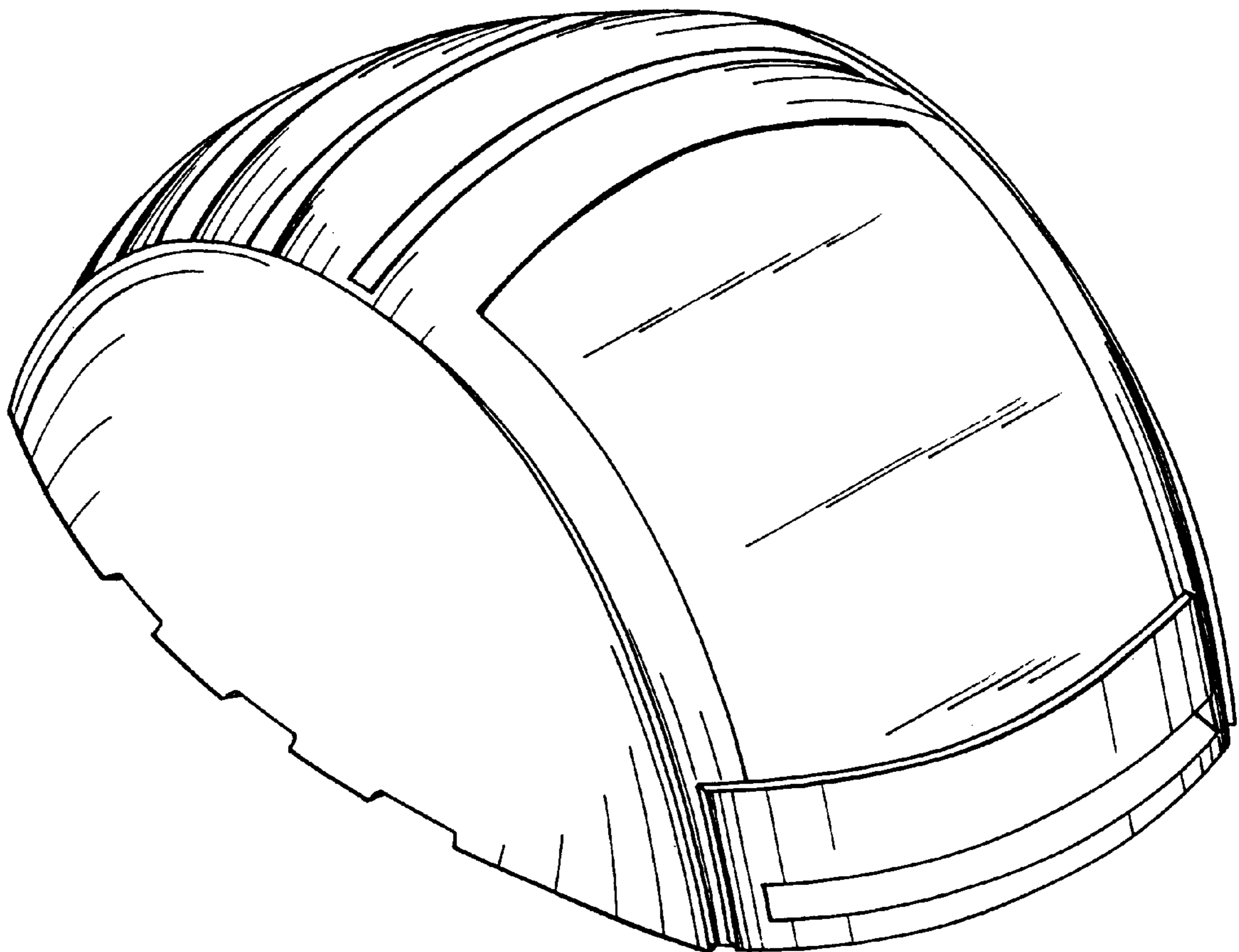


FIG. 1

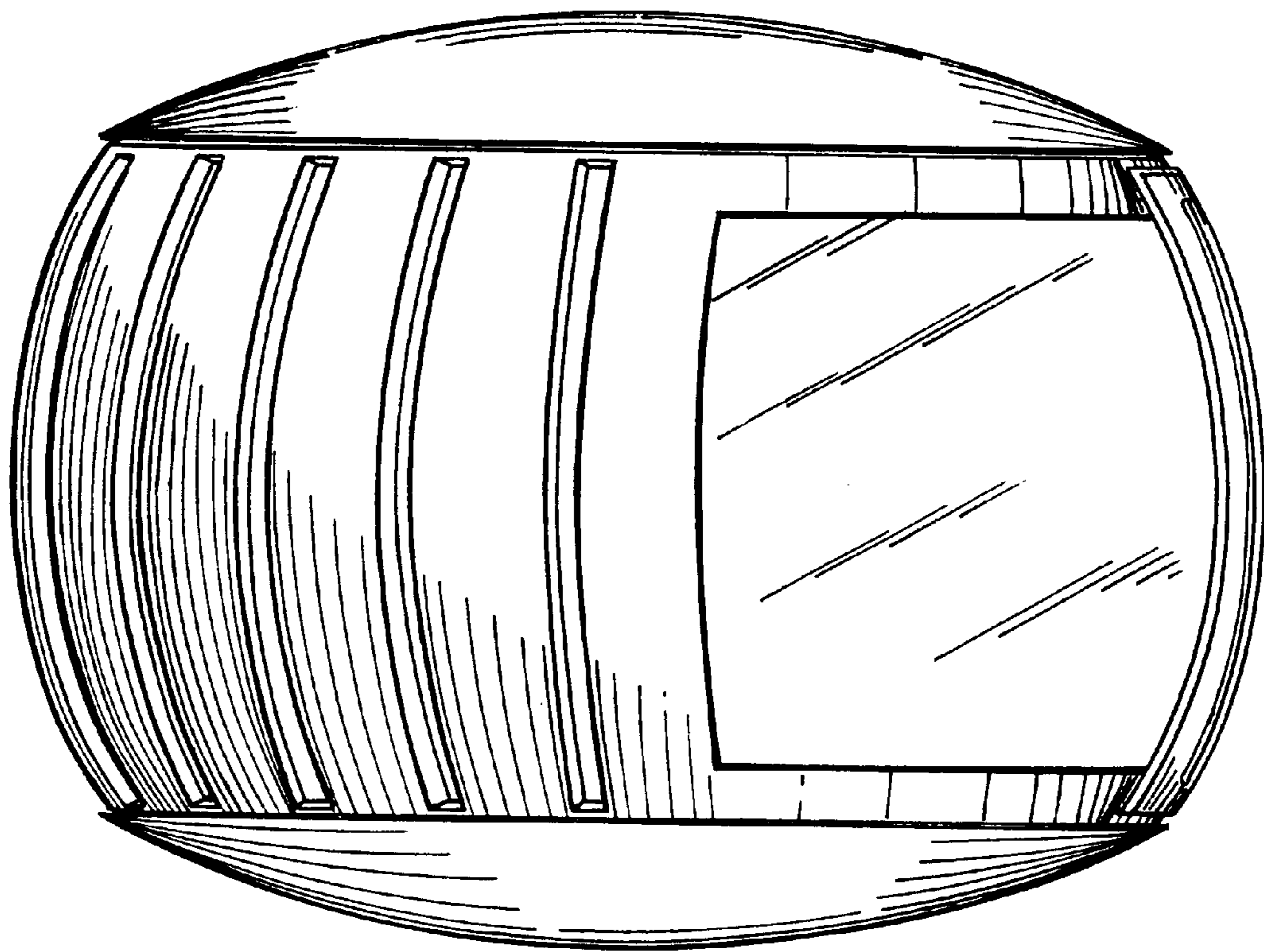


FIG. 2

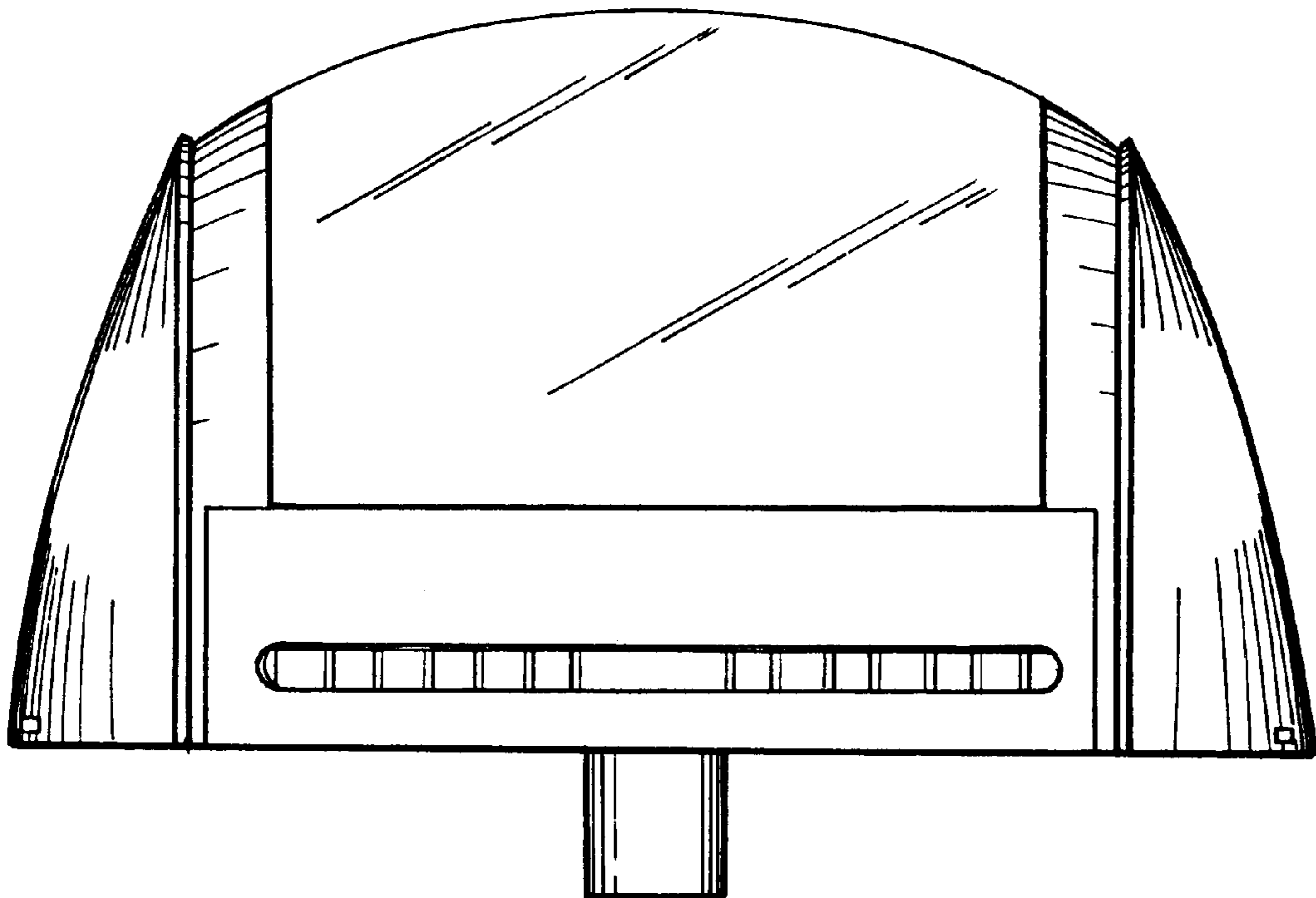


FIG. 3

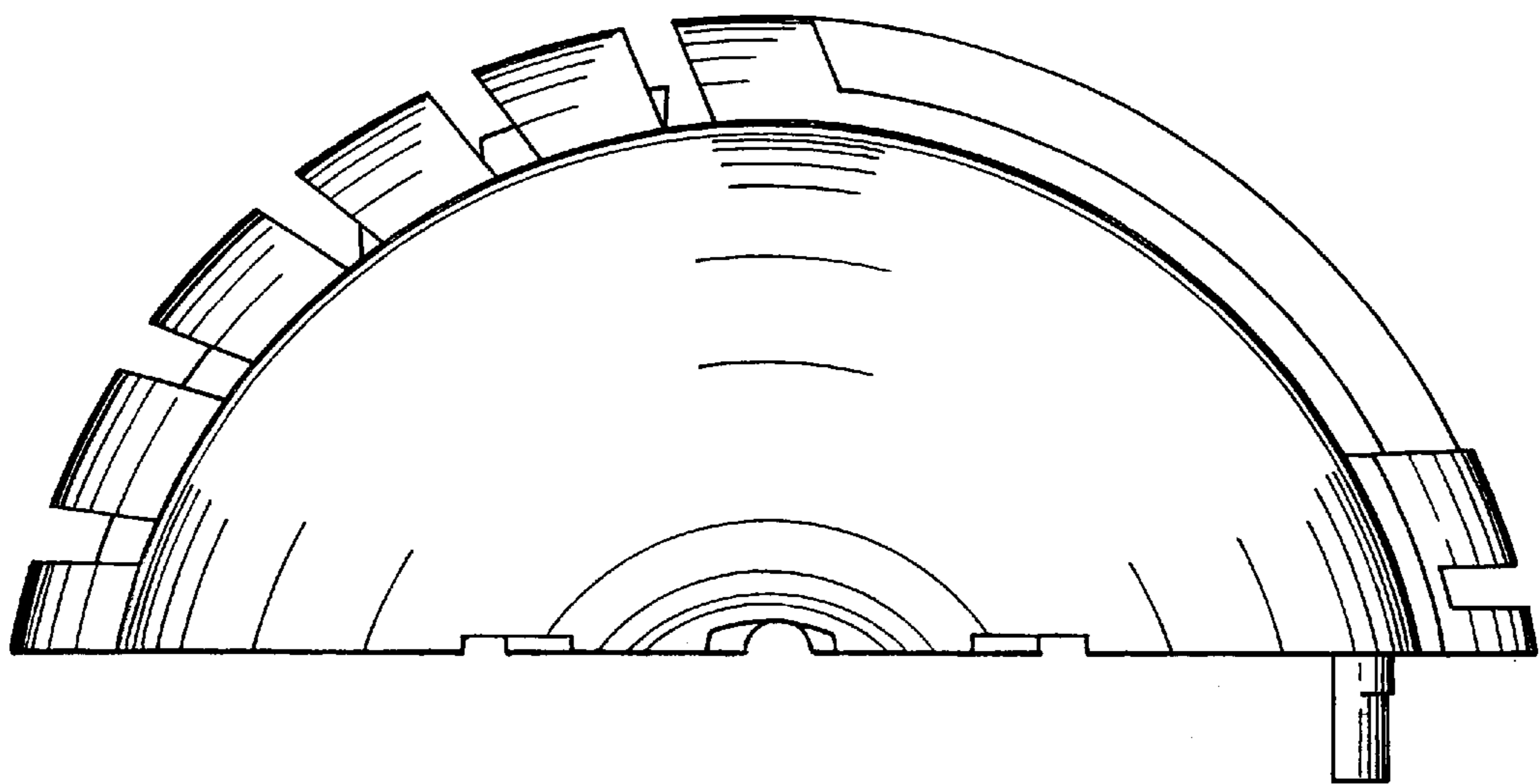


FIG.4

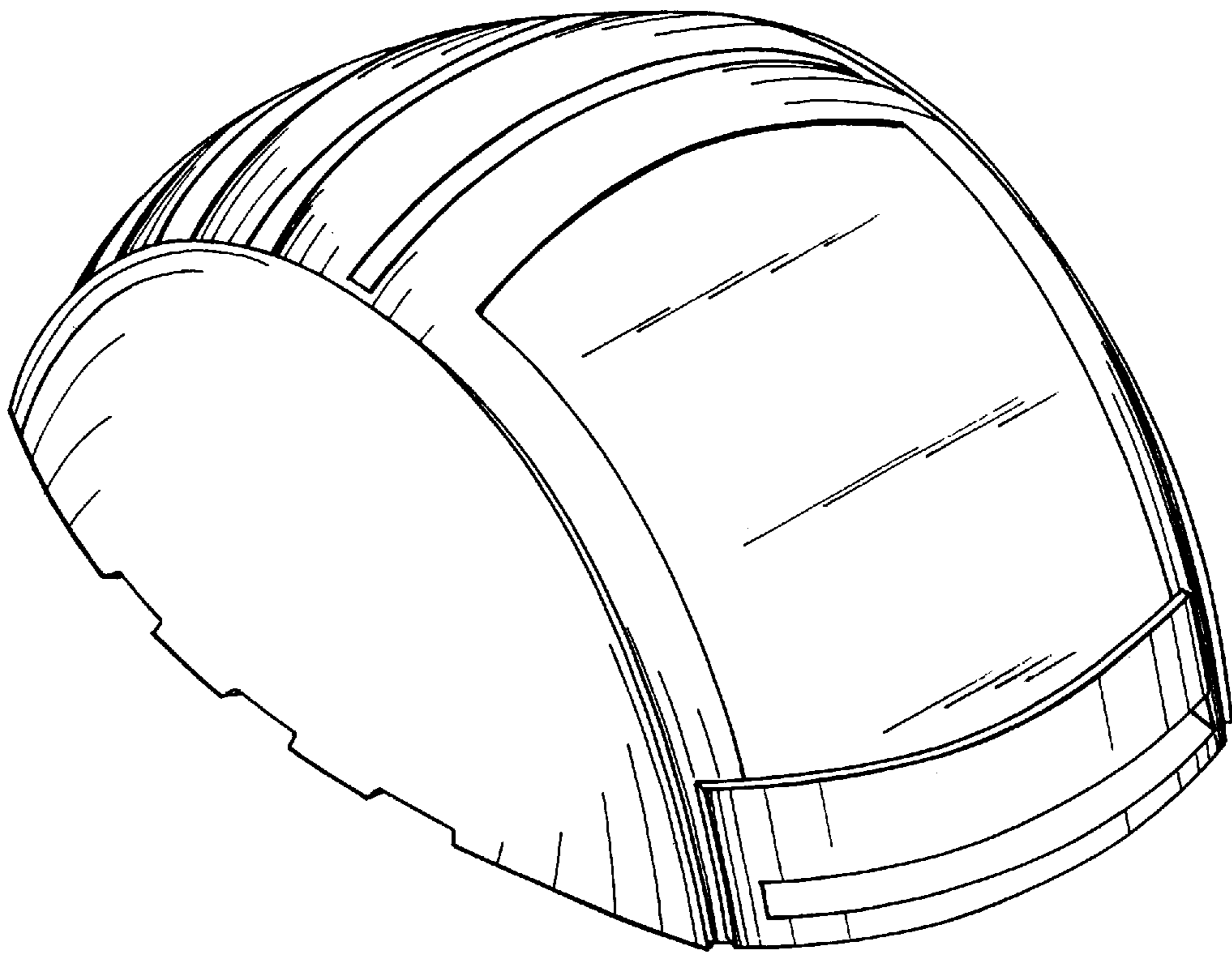


FIG. 5

