



US00D467018S

(12) **United States Design Patent**  
**Shih et al.**

(10) **Patent No.:** **US D467,018 S**

(45) **Date of Patent:** **\*\* Dec. 10, 2002**

(54) **TAIL LIGHT**

D455,509 S \* 4/2002 Schroeder et al. .... D26/28

(75) Inventors: **Shu-Sheng Shih**, Tainan (TW);  
**Ching-Hui Chuang**, Tainan (TW)

\* cited by examiner

(73) Assignee: **TYC Brother Industrial Co., Ltd.**  
(TW)

*Primary Examiner*—Marcus A. Jackson  
(74) *Attorney, Agent, or Firm*—Ostrolenk, Faber, Gerb &  
Soffen, LLP

(\*\*) Term: **14 Years**

(57) **CLAIM**

The ornamental design for tail light, as shown and described.

(21) Appl. No.: **29/155,177**

(22) Filed: **Feb. 5, 2002**

**DESCRIPTION**

(51) **LOC (7) Cl.** ..... **26-04**

(52) **U.S. Cl.** ..... **D26/28**

(58) **Field of Search** ..... D26/28-36, 120,  
D26/122; 362/61, 80, 81, 82, 83, 83.4,  
267, 269, 275, 278, 327-340

FIG. 1 is a perspective view of tail light showing my new design;

FIG. 2 is a front elevational view thereof;

FIG. 3 is a rear elevational view thereof;

FIG. 4 is a left side elevational view thereof;

FIG. 5 is a right side elevational view thereof;

FIG. 6 is a top plan view thereof; and,

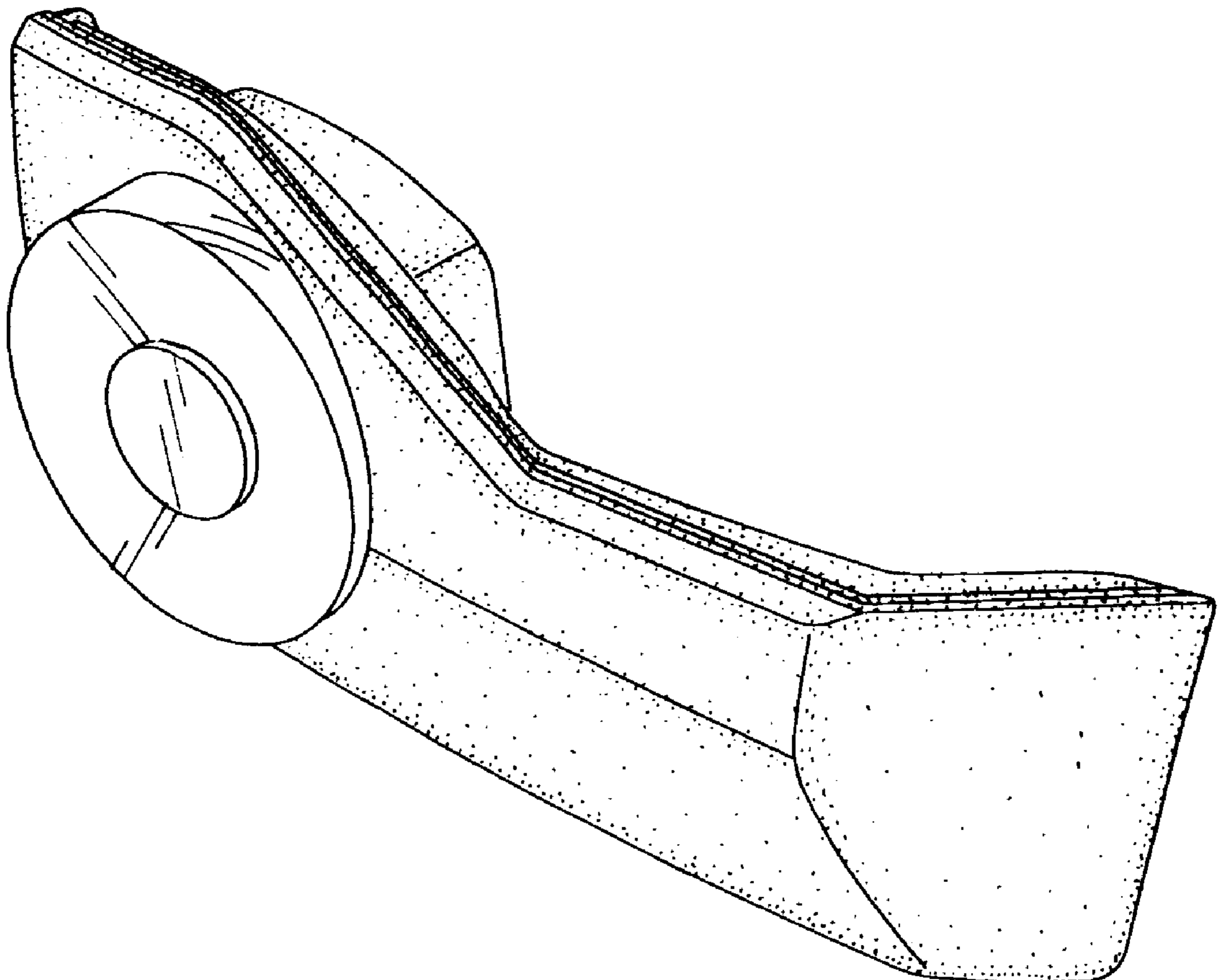
FIG. 7 is a bottom plan view thereof.

(56) **References Cited**

**U.S. PATENT DOCUMENTS**

D439,995 S \* 4/2001 Nakazawa et al. .... D26/28

**1 Claim, 4 Drawing Sheets**



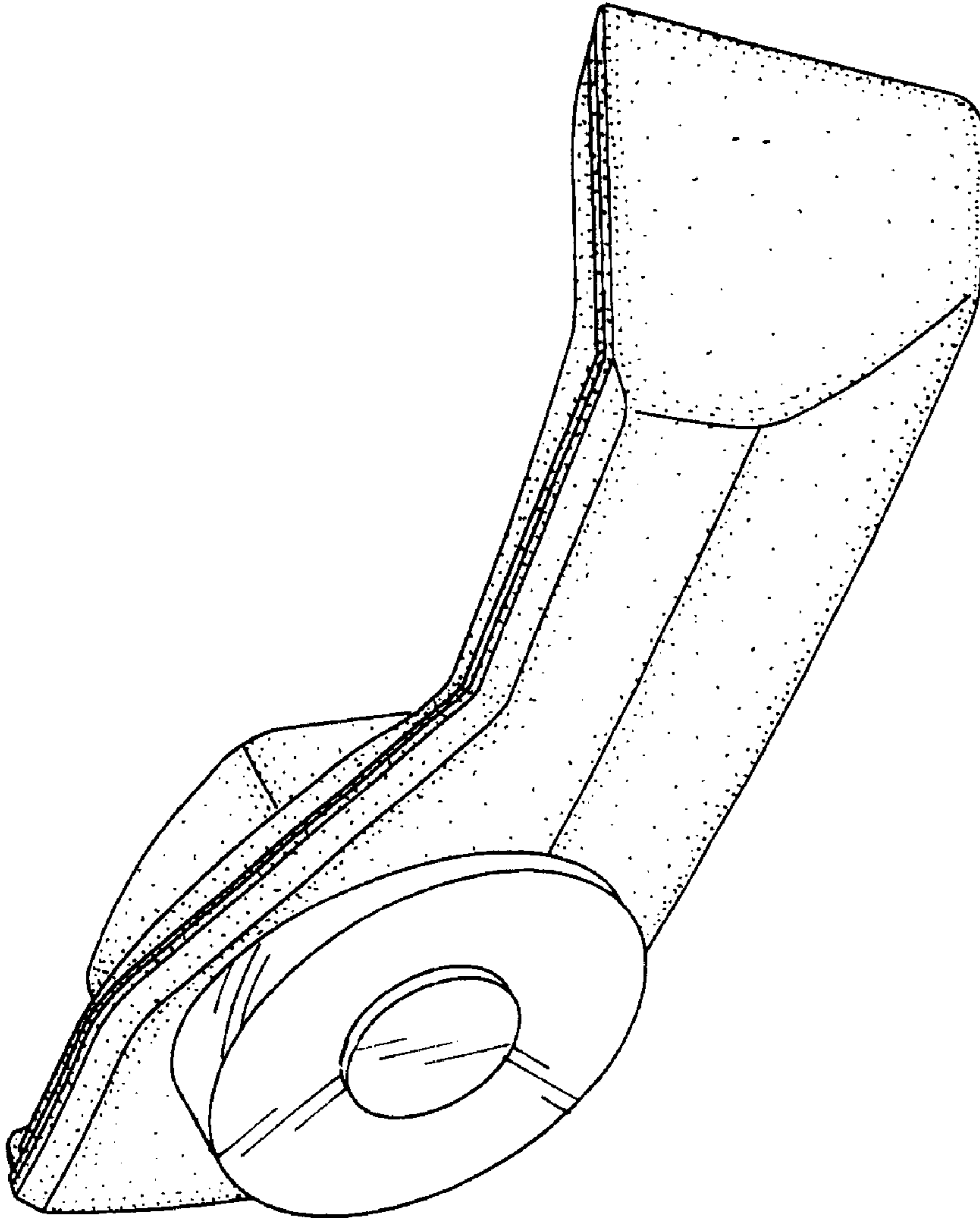


FIG. 1

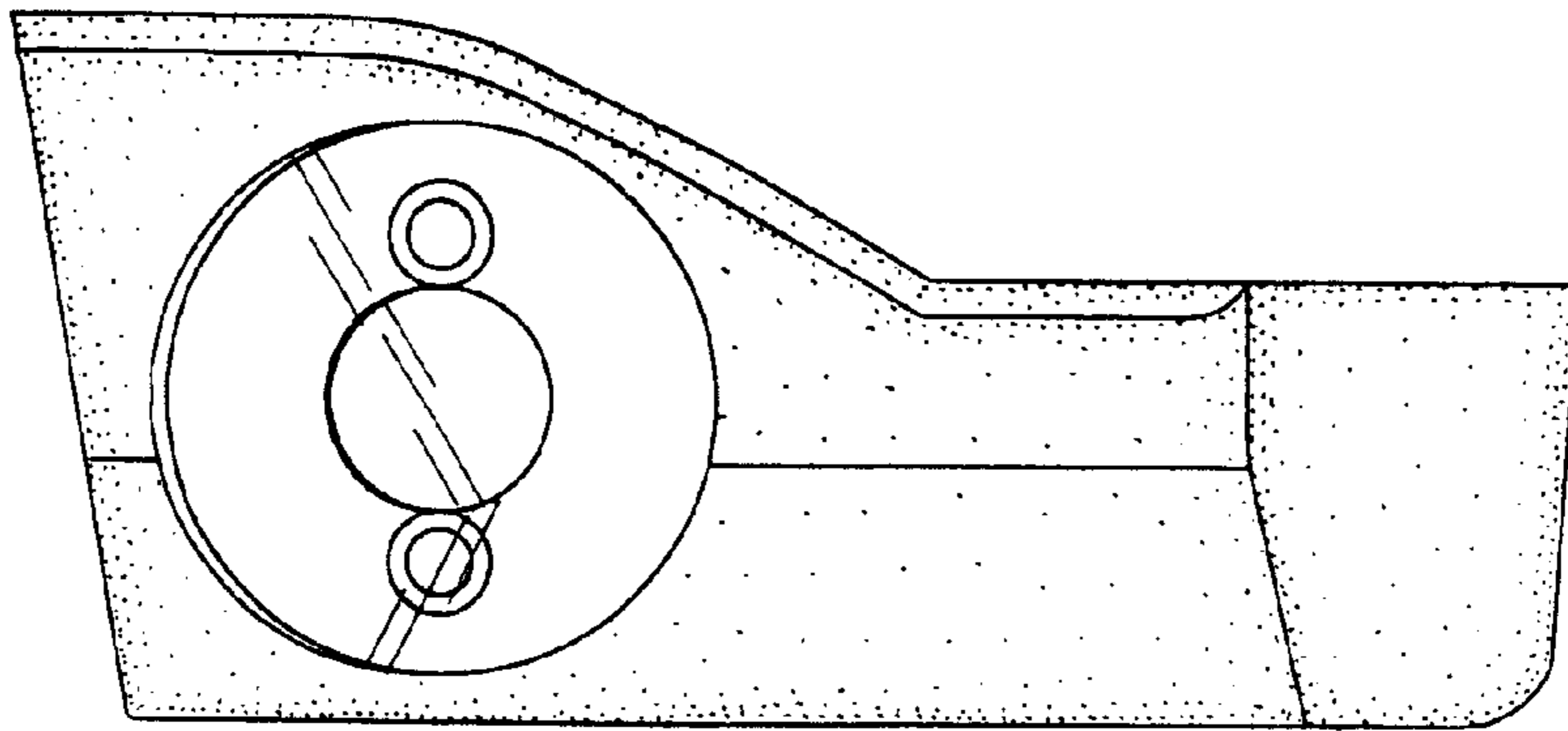


FIG. 2

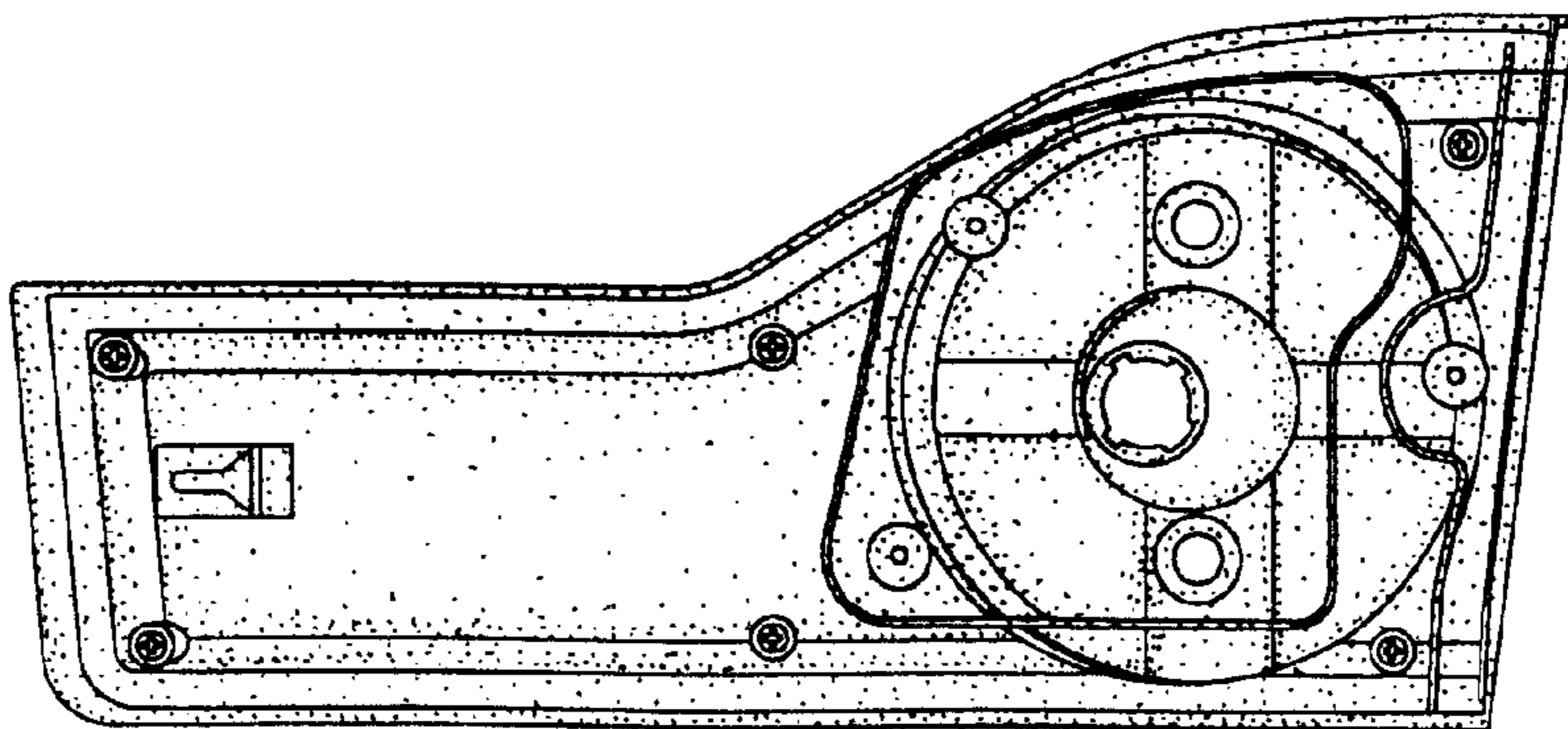


FIG. 3

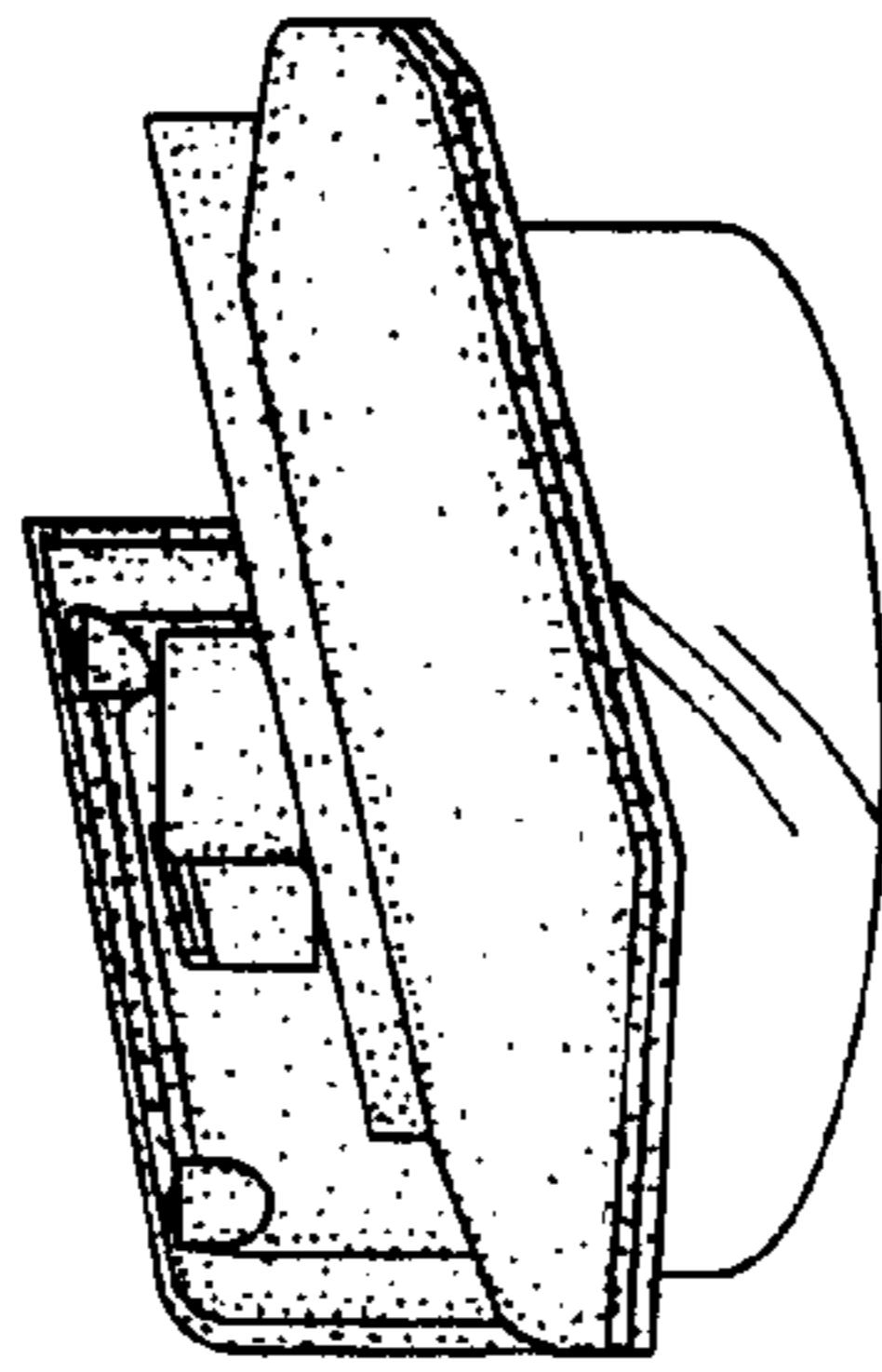


FIG. 4

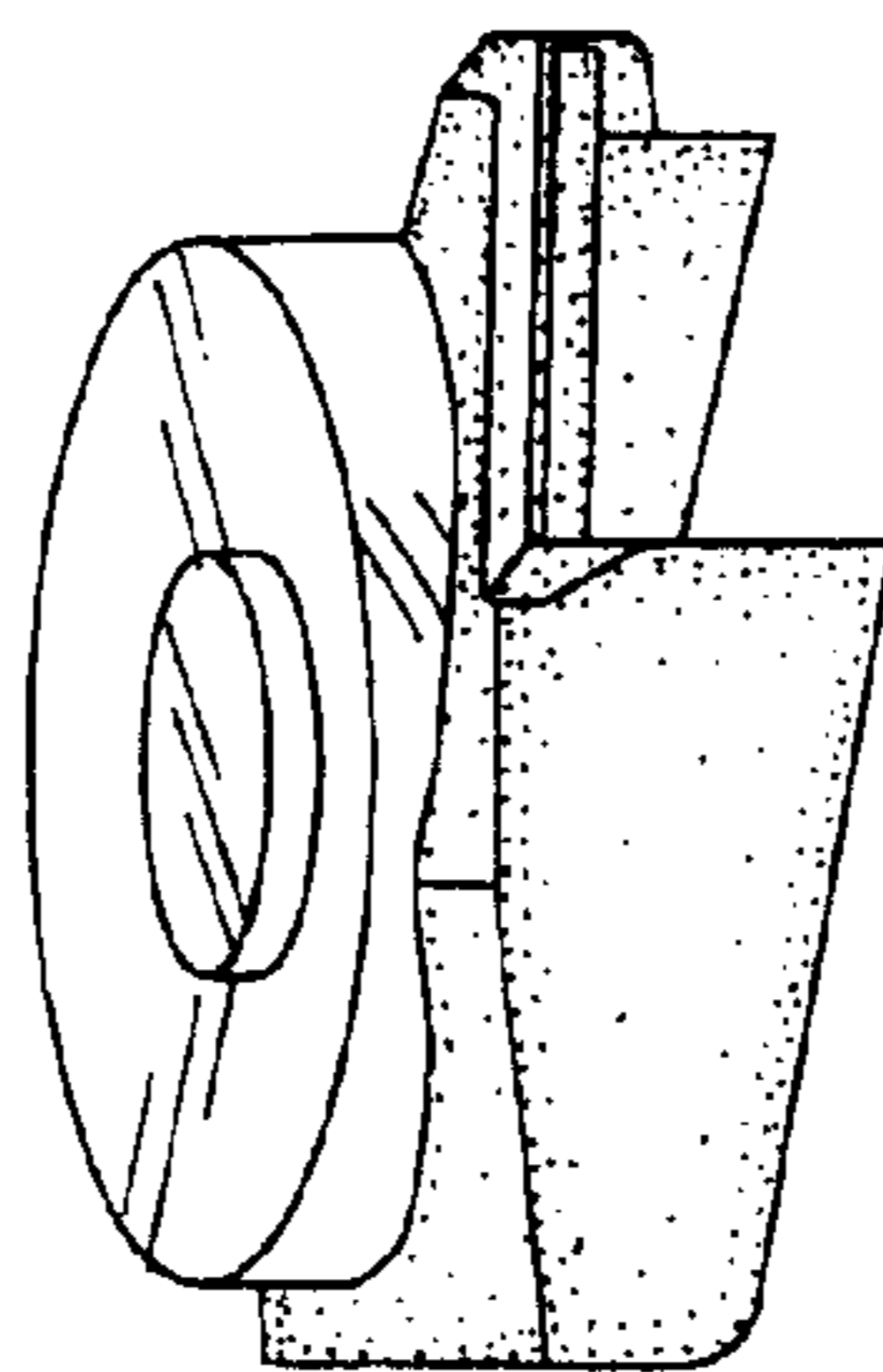


FIG. 5

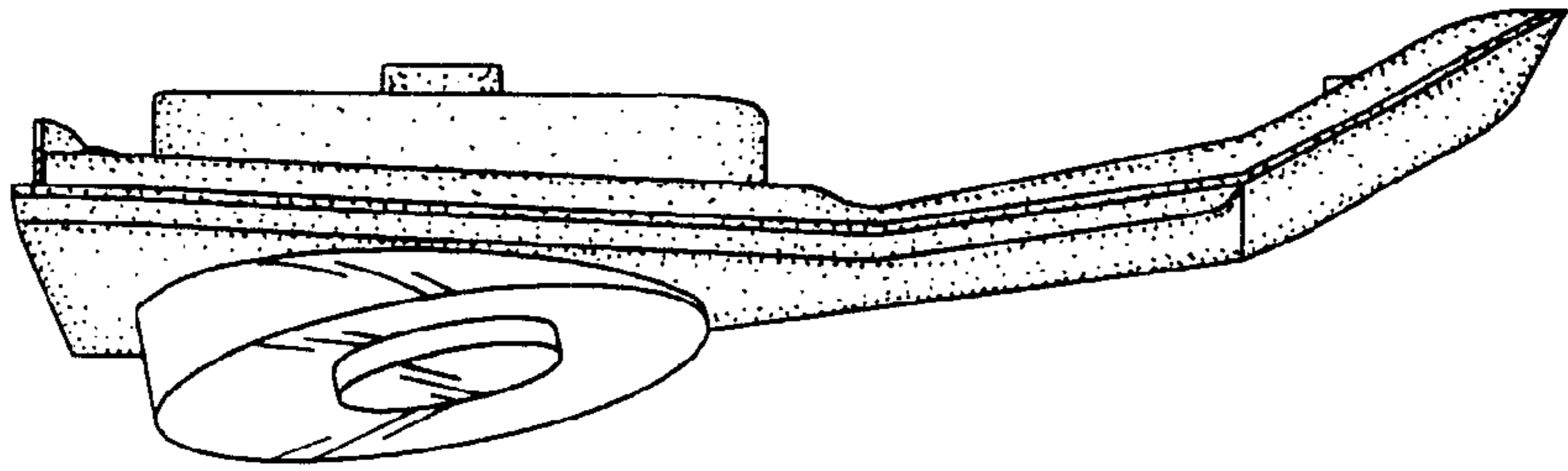


FIG. 6

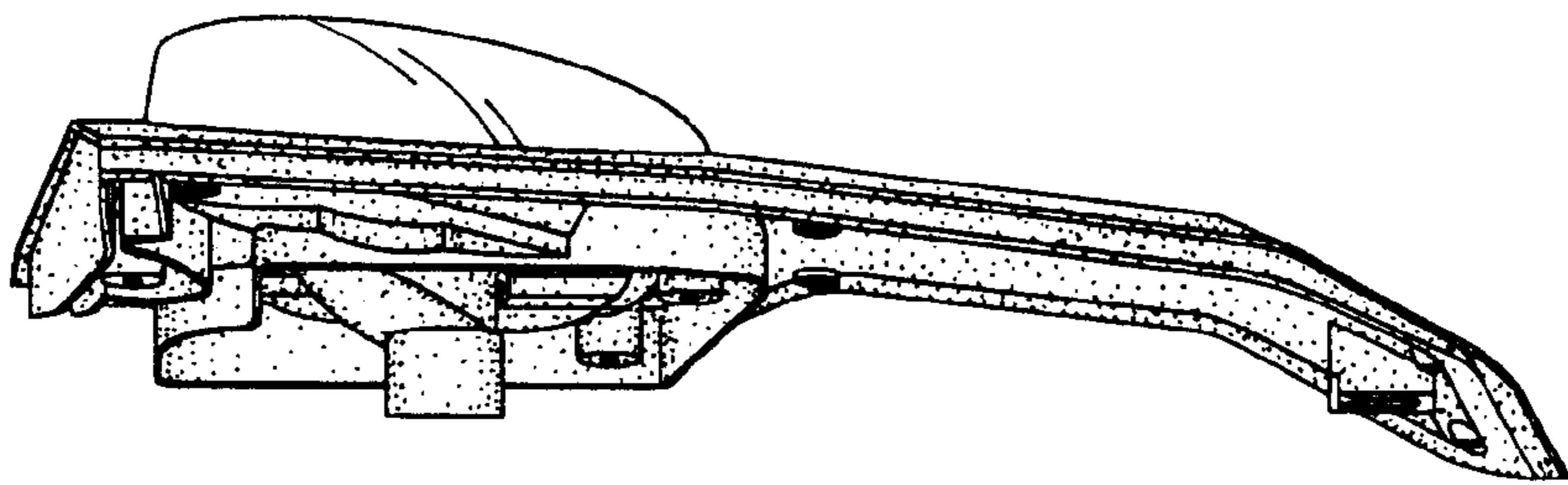


FIG. 7