

US00D467017S

(12) **United States Design Patent**
LaPoint

(10) **Patent No.:** **US D467,017 S**

(45) **Date of Patent:** **** Dec. 10, 2002**

(54) **LIGHT HOUSING**

(76) **Inventor:** **Shawn A. LaPoint**, 609 N. Adrian,
Lyons, OH (US) 43533

(**) **Term:** **14 Years**

(21) **Appl. No.:** **29/141,956**

(22) **Filed:** **May 16, 2001**

(51) **LOC (7) Cl.** **26-01**

(52) **U.S. Cl.** **D26/24**

(58) **Field of Search** D26/24, 74, 72,
D26/80-94, 60-66; 362/363, 294, 147,
364, 365, 373

(56) **References Cited**

U.S. PATENT DOCUMENTS

2,075,199	A	*	3/1937	Horner	362/363
2,159,532	A	*	5/1939	Prance	362/147
2,192,345	A	*	3/1940	Foute	362/294
2,220,607	A	*	11/1940	Mayo	362/294
D242,151	S	*	11/1976	Wellward et al.	D26/24
D290,754	S	*	7/1987	Kira	D26/24
D293,026	S	*	12/1987	Shwisha	D26/24
D315,964	S	*	4/1991	Joosten et al.	D26/63
5,050,055	A	*	9/1991	Lindsay et al.	362/294
D321,949	S	*	11/1991	Miller	D26/74
5,083,253	A	*	1/1992	Hahnel	362/373

5,091,830	A	*	2/1992	Suzuki	362/363
5,440,468	A	*	8/1995	Savage, Jr.	362/147
D395,725	S	*	6/1998	West	D26/24
D396,121	S	*	7/1998	West	D26/67
D452,581	S	*	12/2001	Zakrzewski et al.	D26/60

OTHER PUBLICATIONS

Photocopies of photographs of Toucan Industries, Inc.,
"Wheel Flasher".

* cited by examiner

Primary Examiner—Cynthia E. Ramirez

(74) *Attorney, Agent, or Firm*—David C. Purdue; John C.
Purdue

(57) **CLAIM**

The ornamental design for a light housing, as shown.

DESCRIPTION

FIG. 1 is a perspective view of a light housing showing my
new design;

FIG. 2 is a front view thereof;

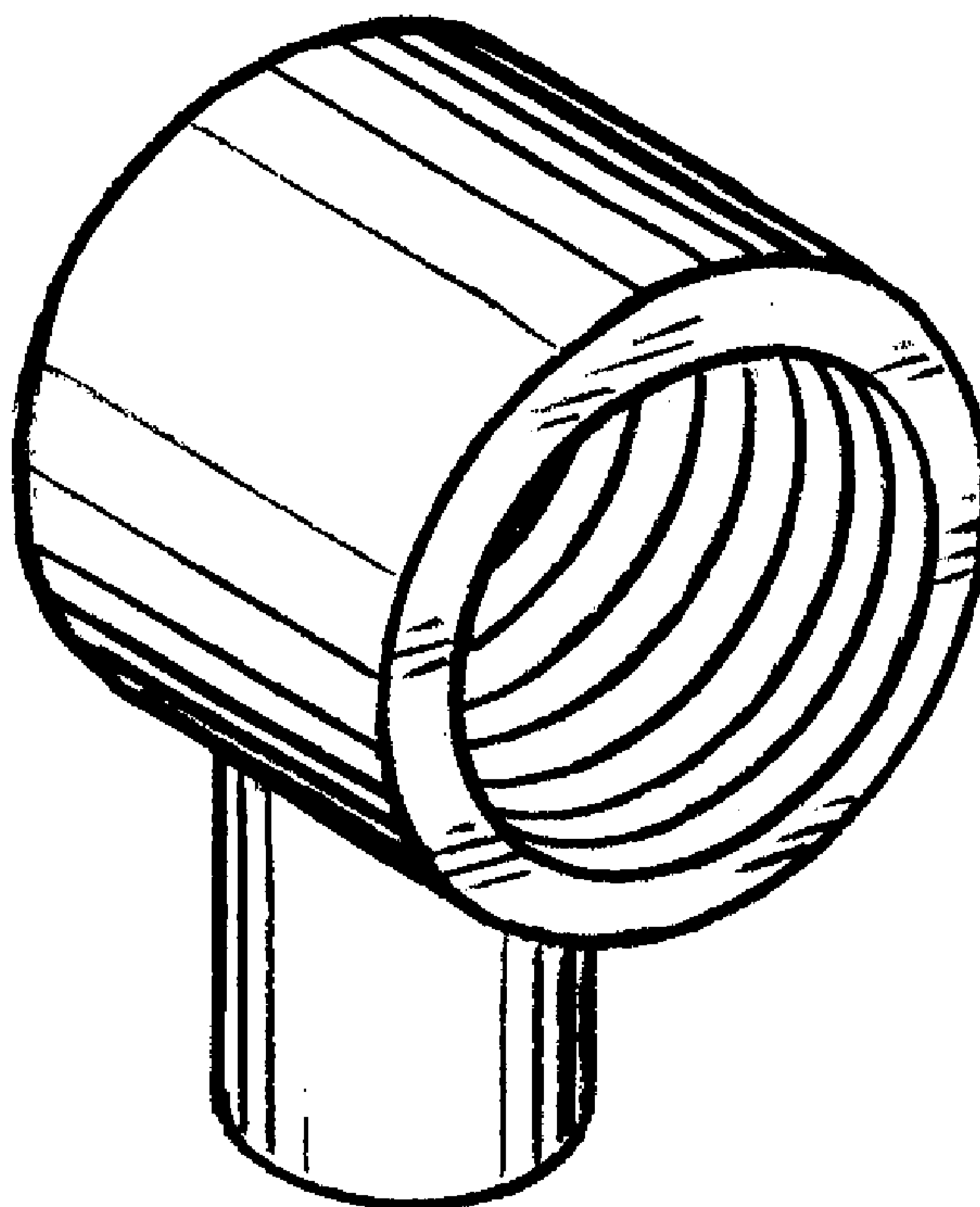
FIG. 3 is a side view thereof; and

FIG. 4 is a rear view thereof;

FIG. 5 is a top view thereof; and,

FIG. 6 is a bottom view thereof.

1 Claim, 2 Drawing Sheets



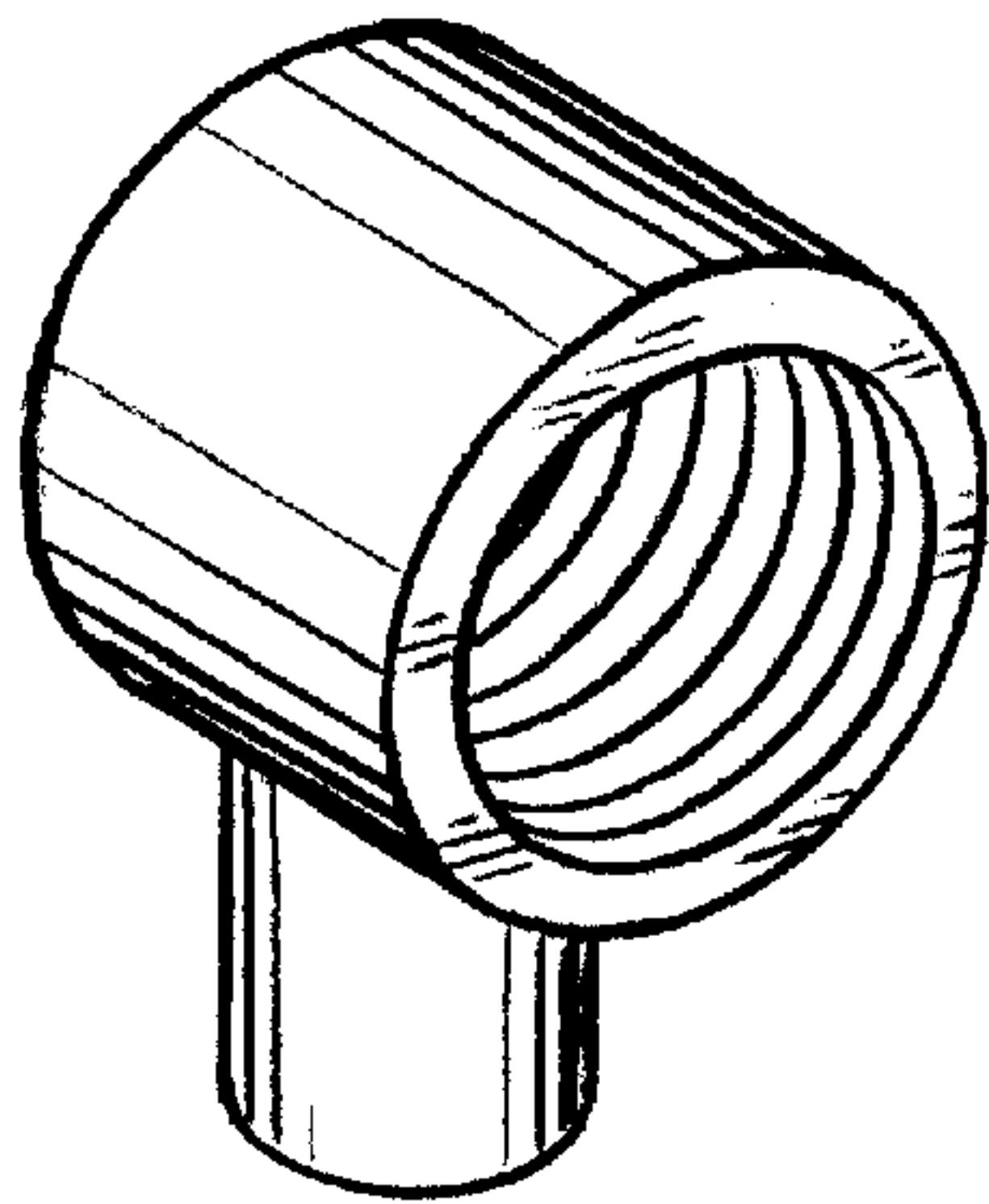


FIG. 1

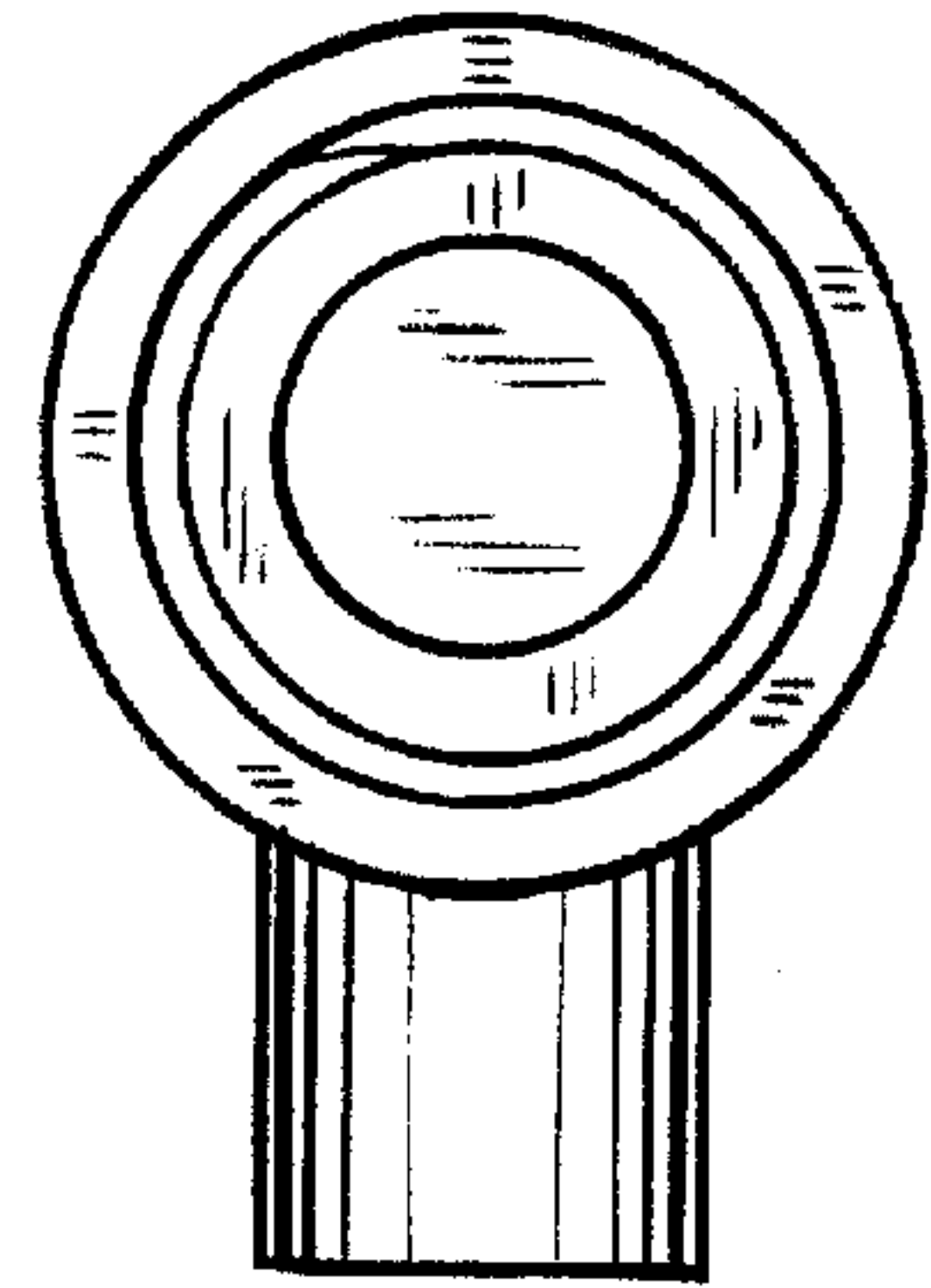


FIG. 2

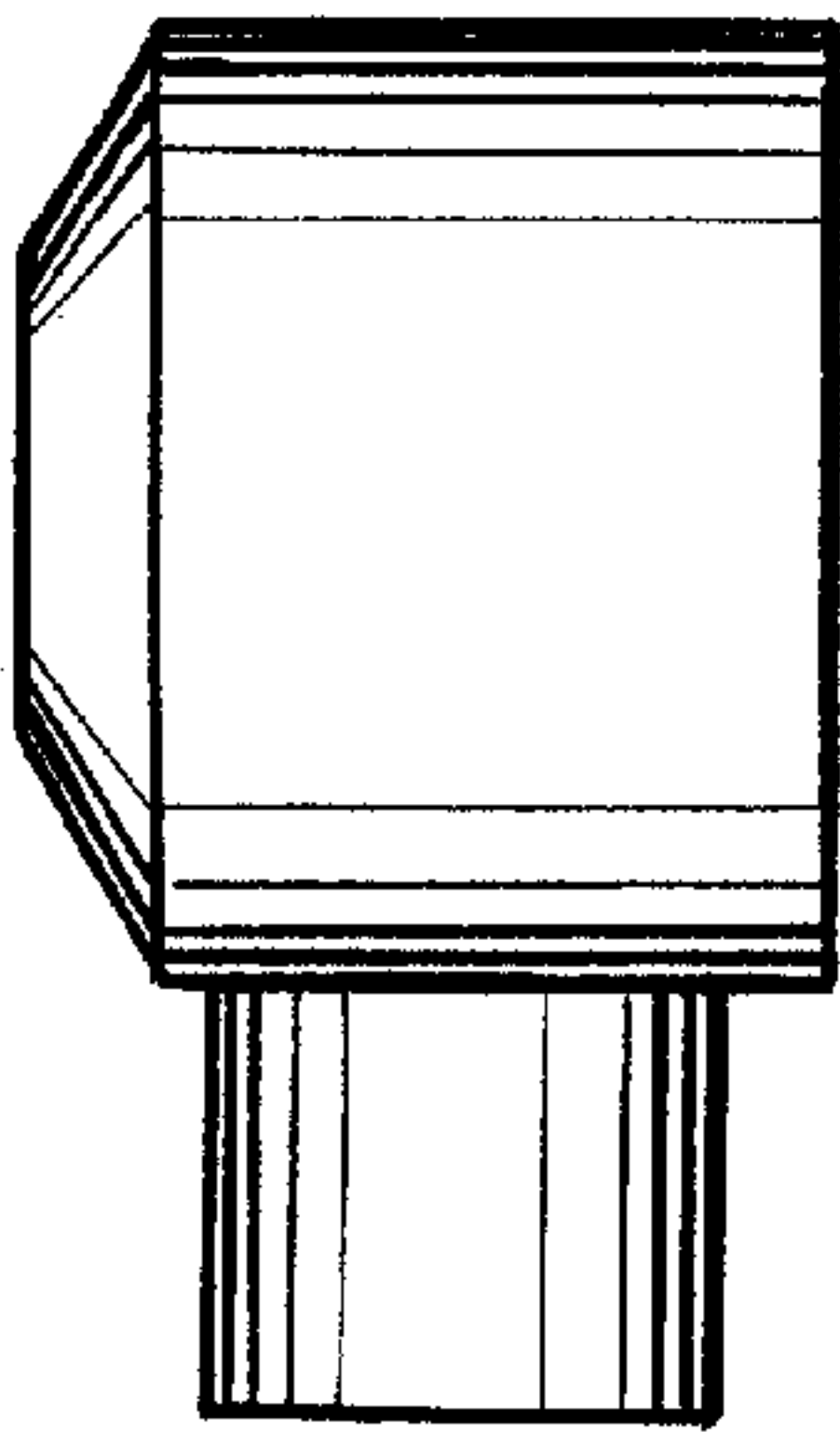


FIG. 3

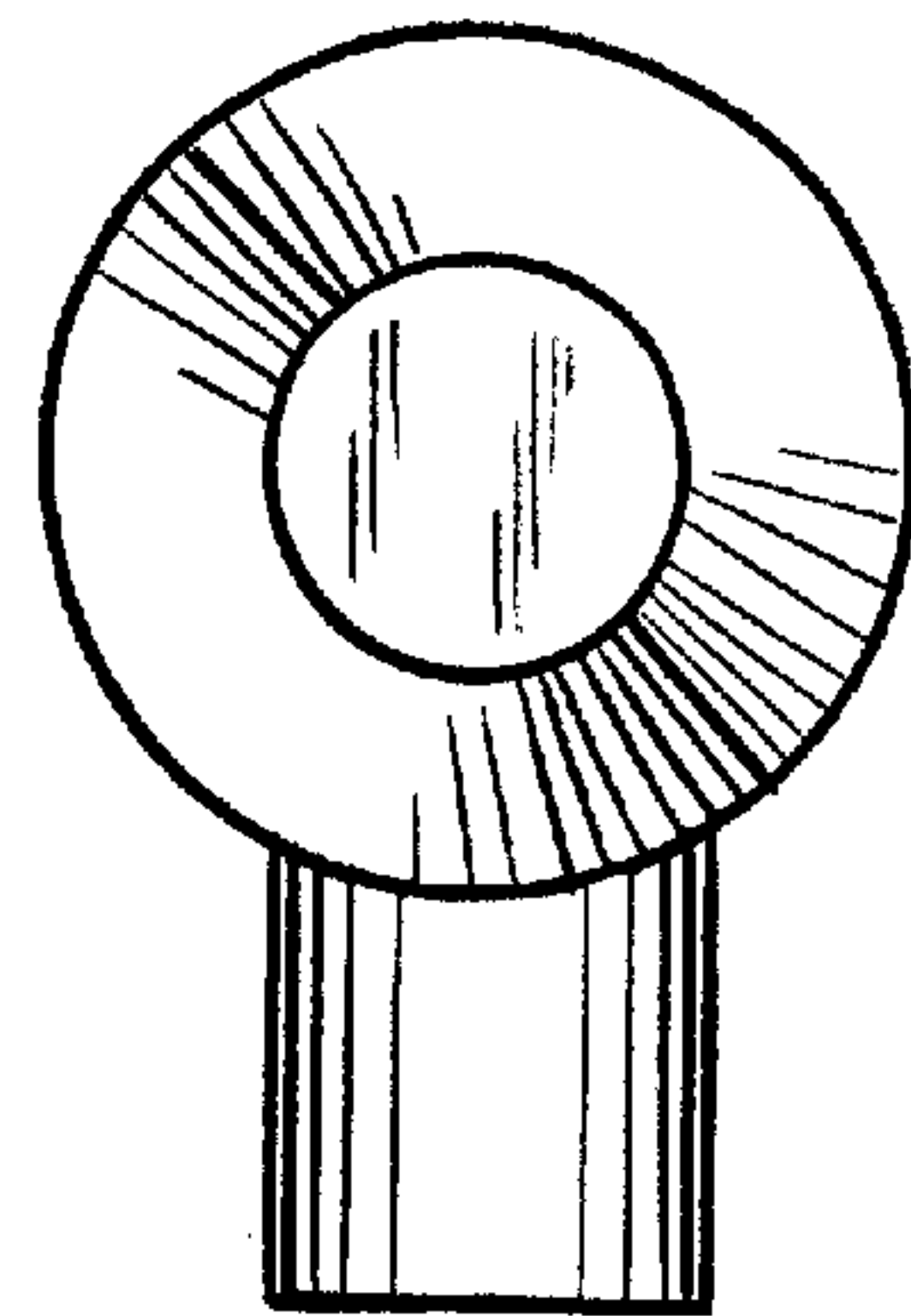


FIG. 4

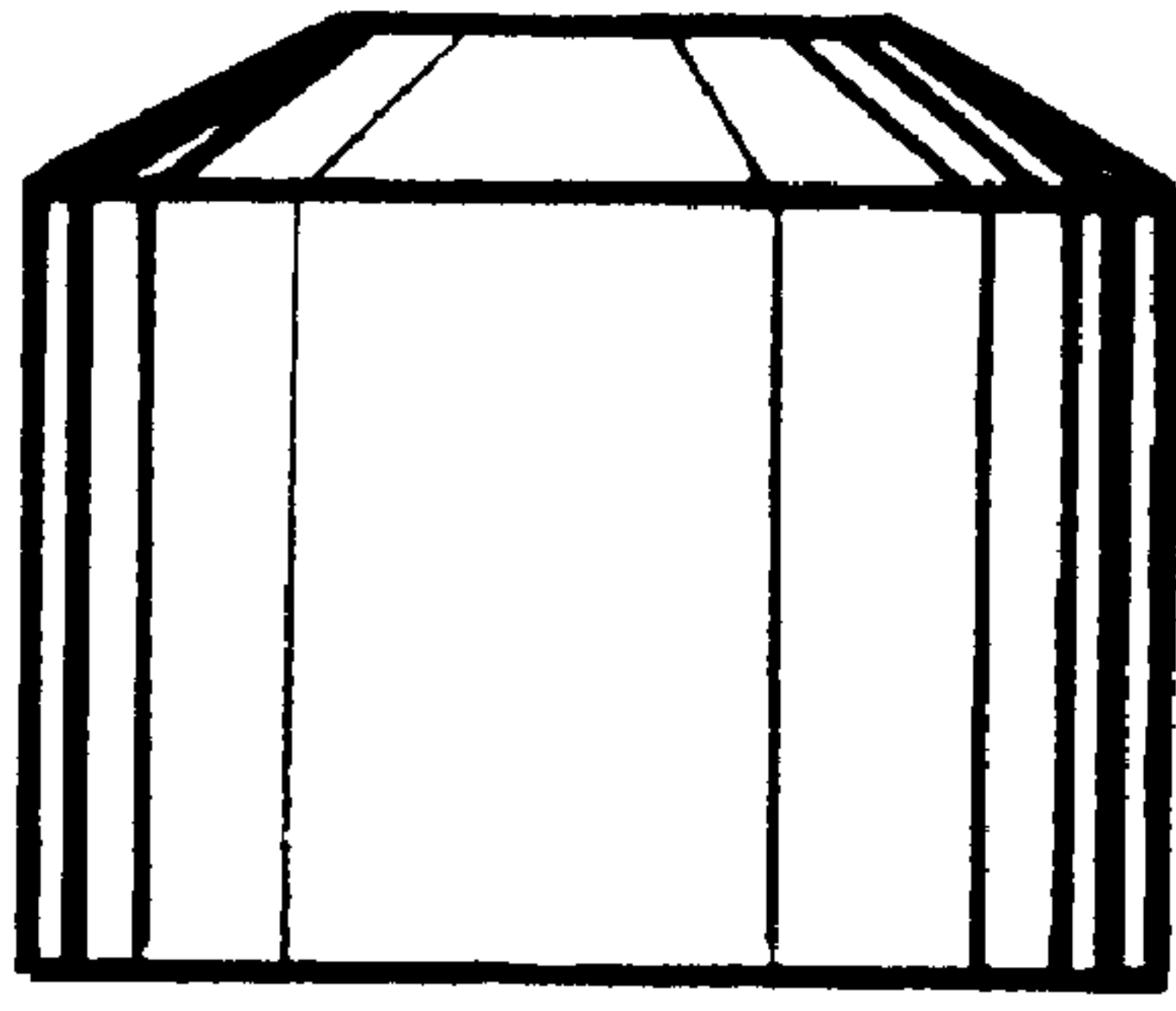


FIG. 5

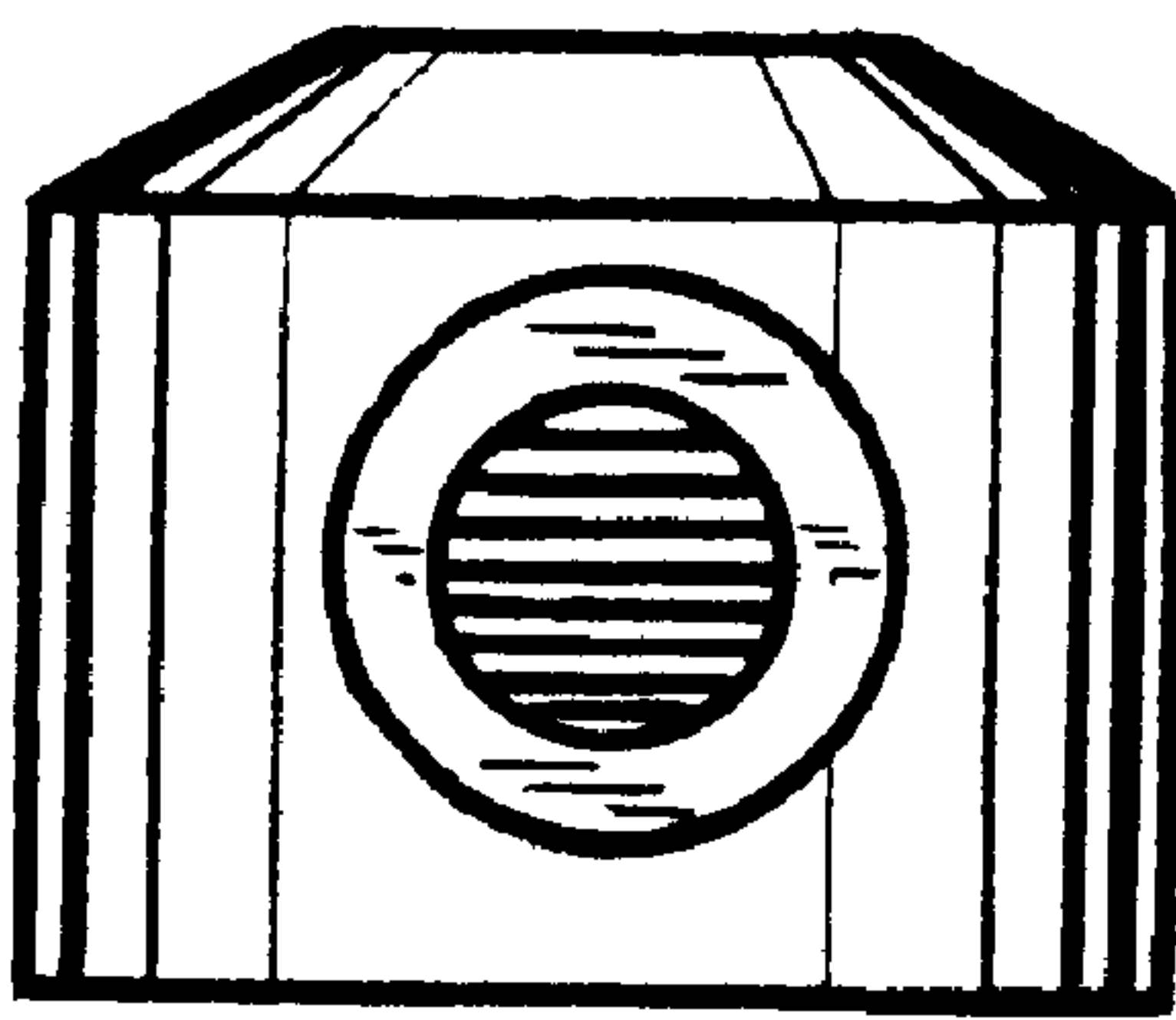


FIG. 6