



US00D467010S

(12) **United States Design Patent**
Wrightman

(10) **Patent No.:** **US D467,010 S**

(45) **Date of Patent:** **** Dec. 10, 2002**

(54) **LOG**

CA 1 265 024 1/1990

(75) Inventor: **Ronald Wrightman**, Bracebridge (CA)

* cited by examiner

(73) Assignee: **True North Log Homes, Inc.** (CA)

Primary Examiner—Doris Clark

(**) Term: **14 Years**

(74) *Attorney, Agent, or Firm*—SAIDMAN DesignLaw Group

(21) Appl. No.: **29/136,464**

(57) **CLAIM**

(22) Filed: **Jan. 31, 2001**

The ornamental design for a log, as shown and described.

(30) **Foreign Application Priority Data**

DESCRIPTION

Aug. 1, 2000 (CA) 2000-2042

FIG. 1 is a perspective view of a log showing my new design;

(51) **LOC (7) Cl.** **25-01**

FIG. 2 is a front view thereof, the rear view being identical;

(52) **U.S. Cl.** **D25/121; D25/126**

FIG. 3 is a right side view thereof; the left side view being identical;

(58) **Field of Search** 52/233; D25/126,
D25/138, 121

FIG. 4 is a top view thereof;

(56) **References Cited**

FIG. 5 is a bottom view thereof;

U.S. PATENT DOCUMENTS

FIG. 6 is perspective view of a second embodiment of my design;

- 2,289,018 A 7/1942 Jonsrud
- 2,498,551 A 2/1950 Jonsrud
- D203,663 S * 2/1966 Blum et al. D25/121
- 4,901,489 A * 2/1990 Garber 52/233
- 5,020,289 A 6/1991 Wrightman
- 5,325,645 A 7/1994 Wrightman

FIG. 7 is a front view thereof, the rear view being identical;

FIG. 8 is a right side view thereof, the left side view being identical;

FIG. 9 is a top view thereof; and,

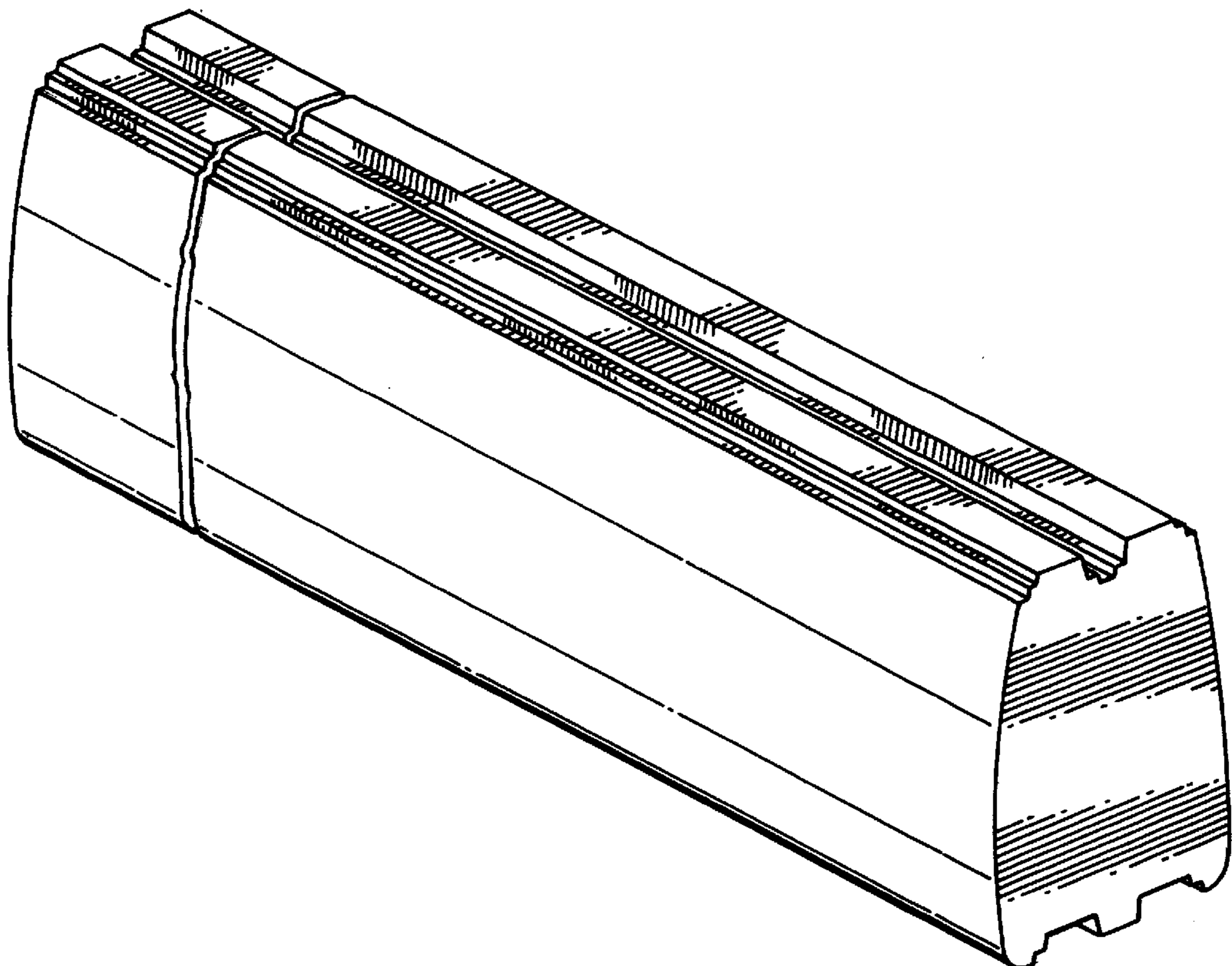
FIG. 10 is bottom view thereof.

The log is broken in the center to indicate indefinite length.

FOREIGN PATENT DOCUMENTS

CA 1 264 644 1/1990

1 Claim, 4 Drawing Sheets



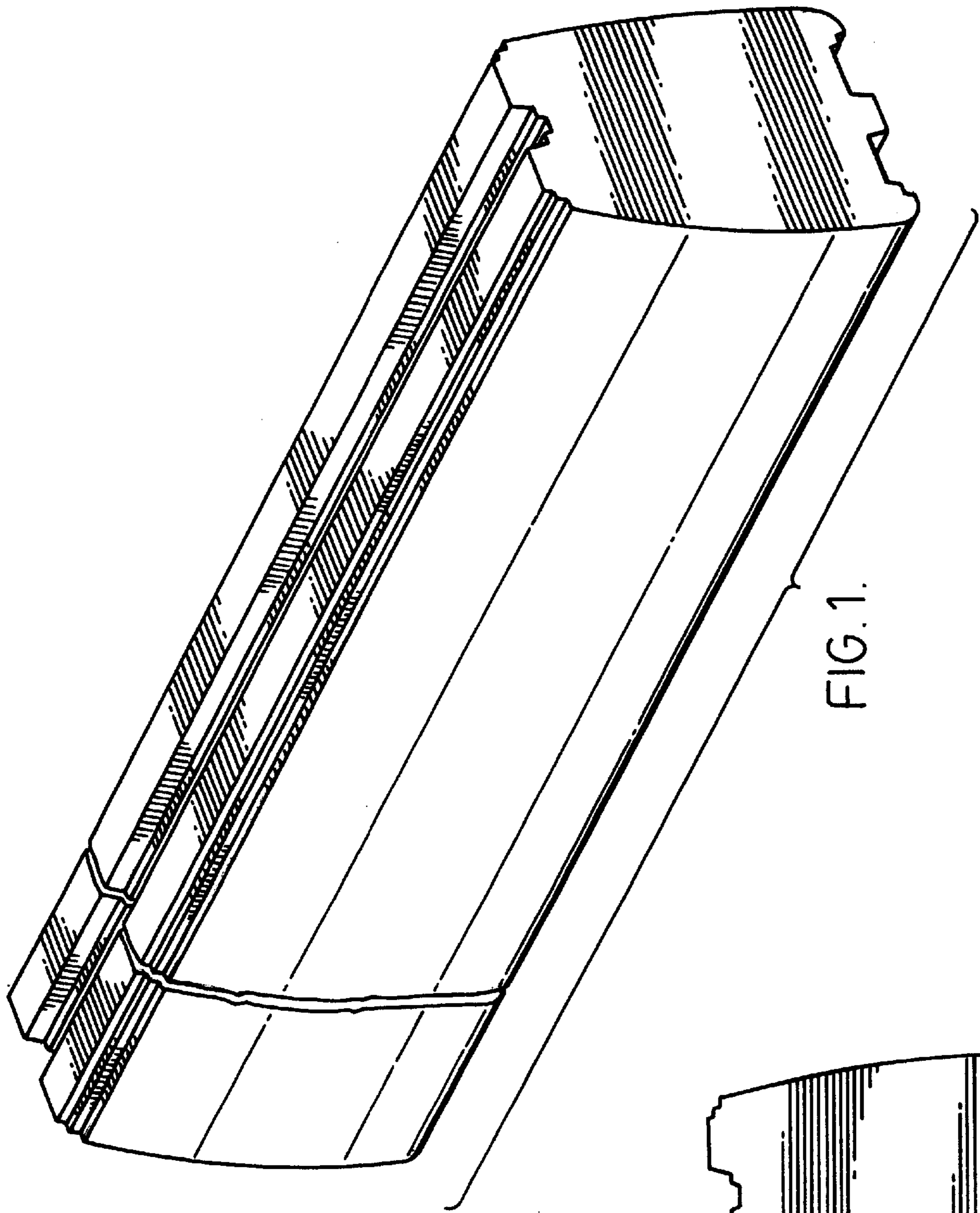


FIG. 1.

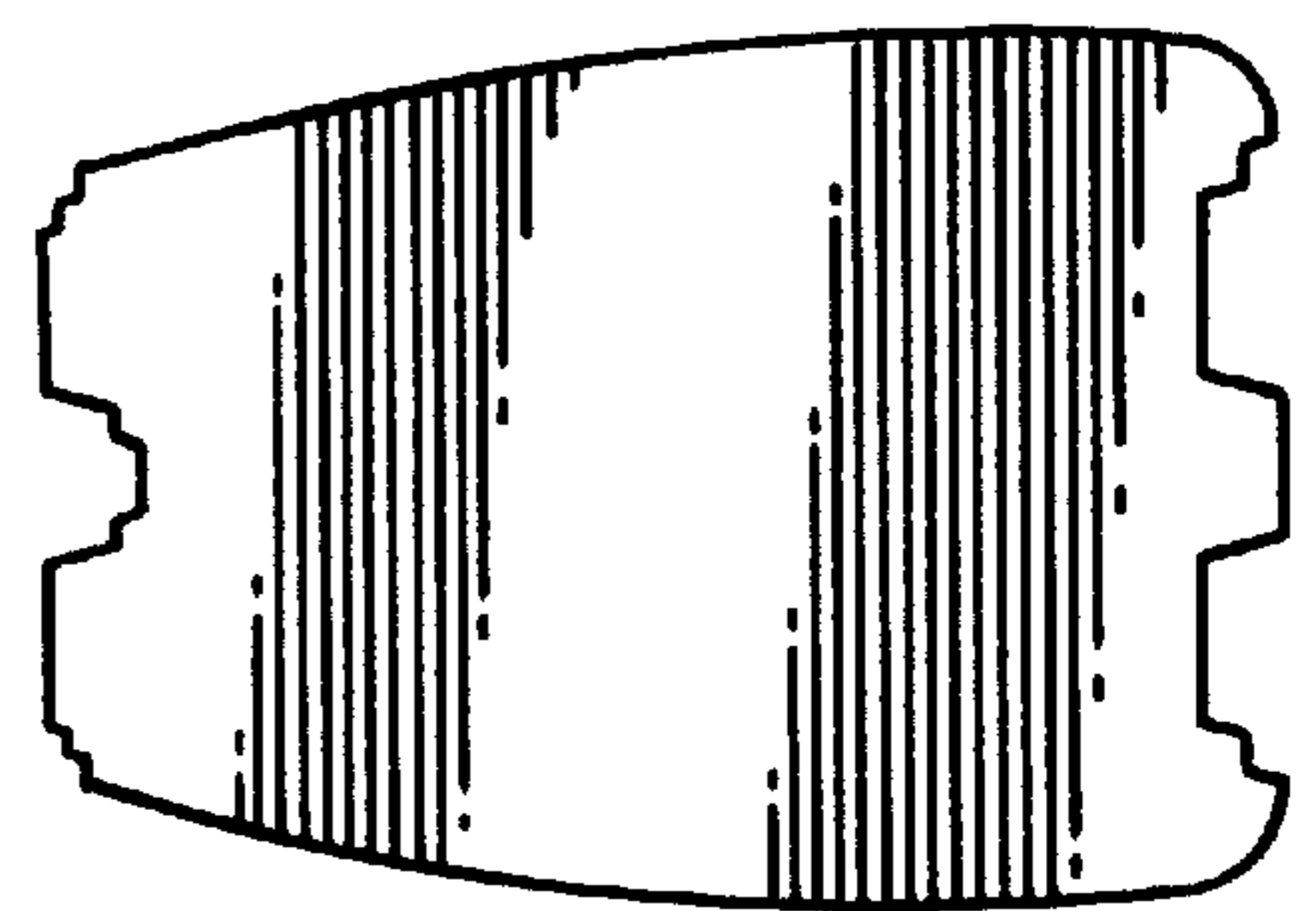


FIG. 2.

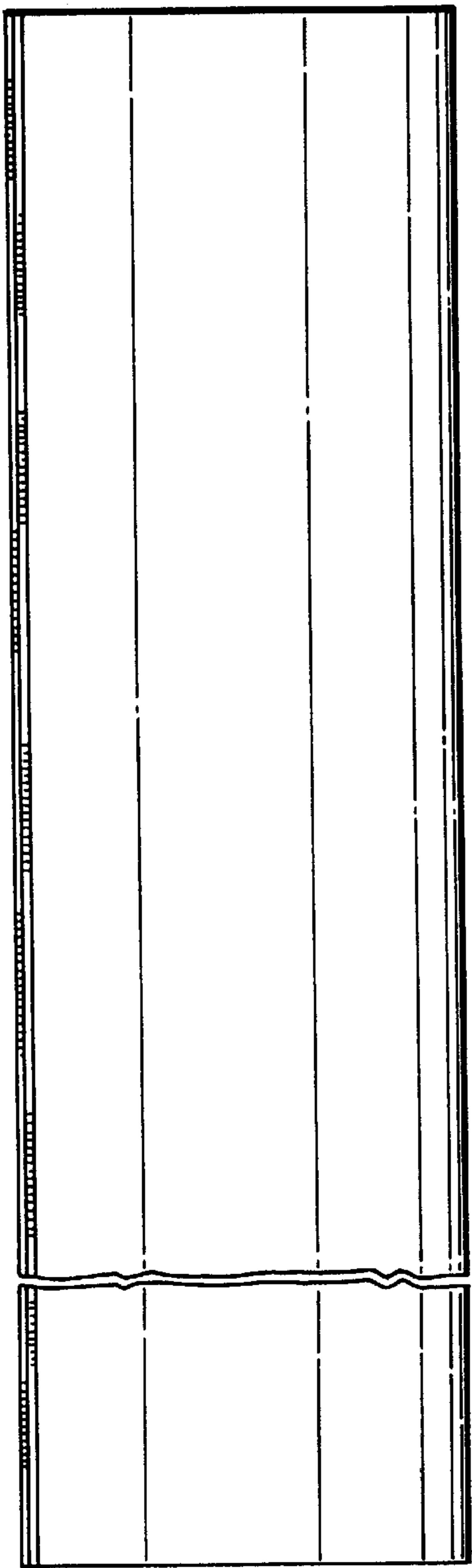


FIG. 3.

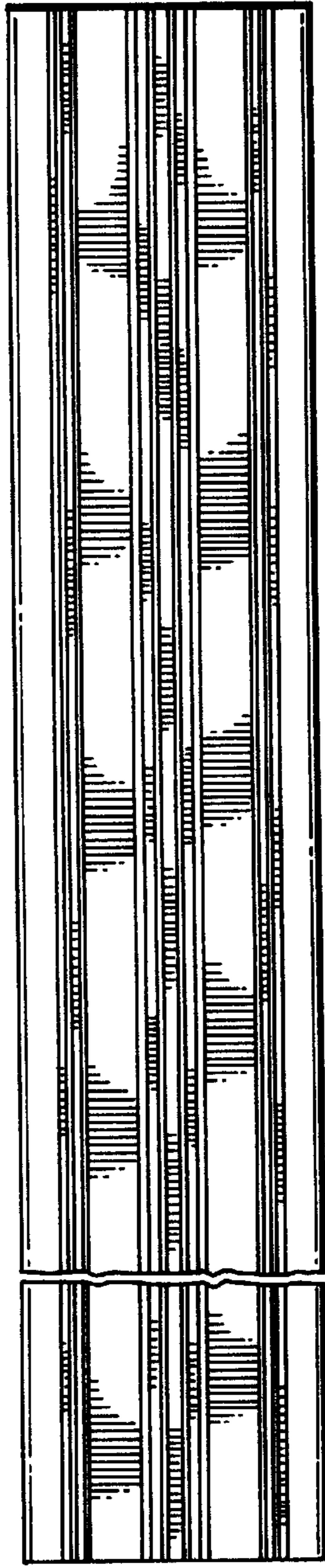


FIG. 4.

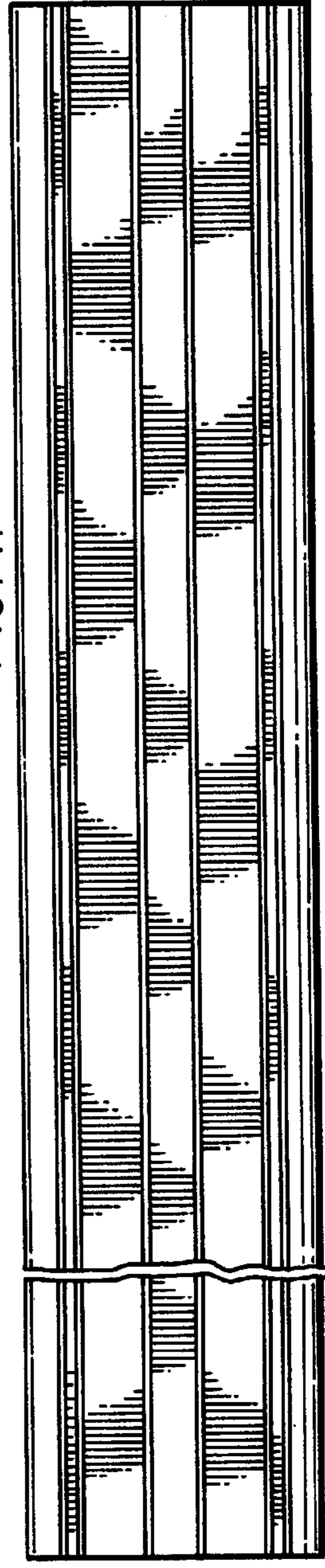
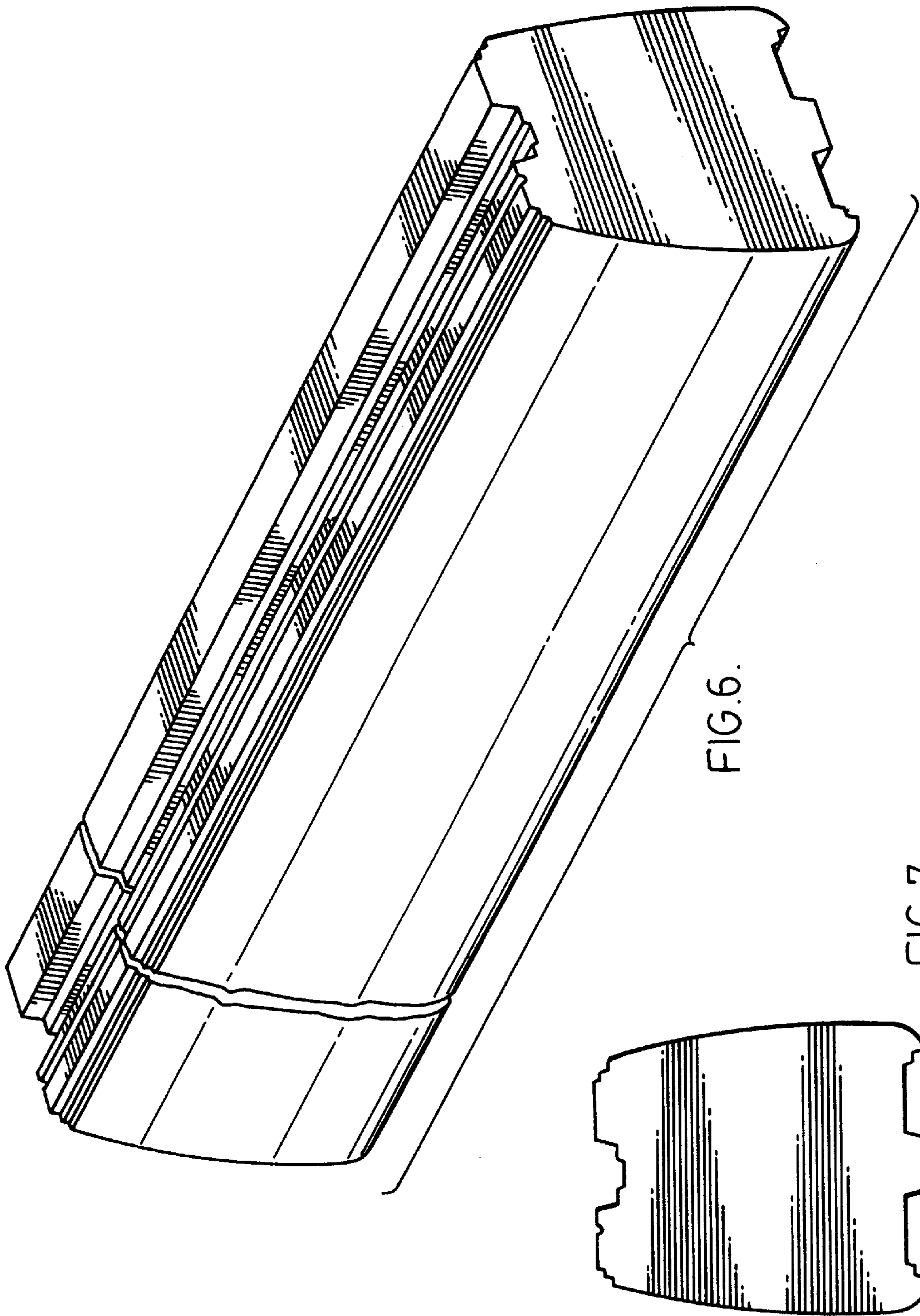


FIG. 5.



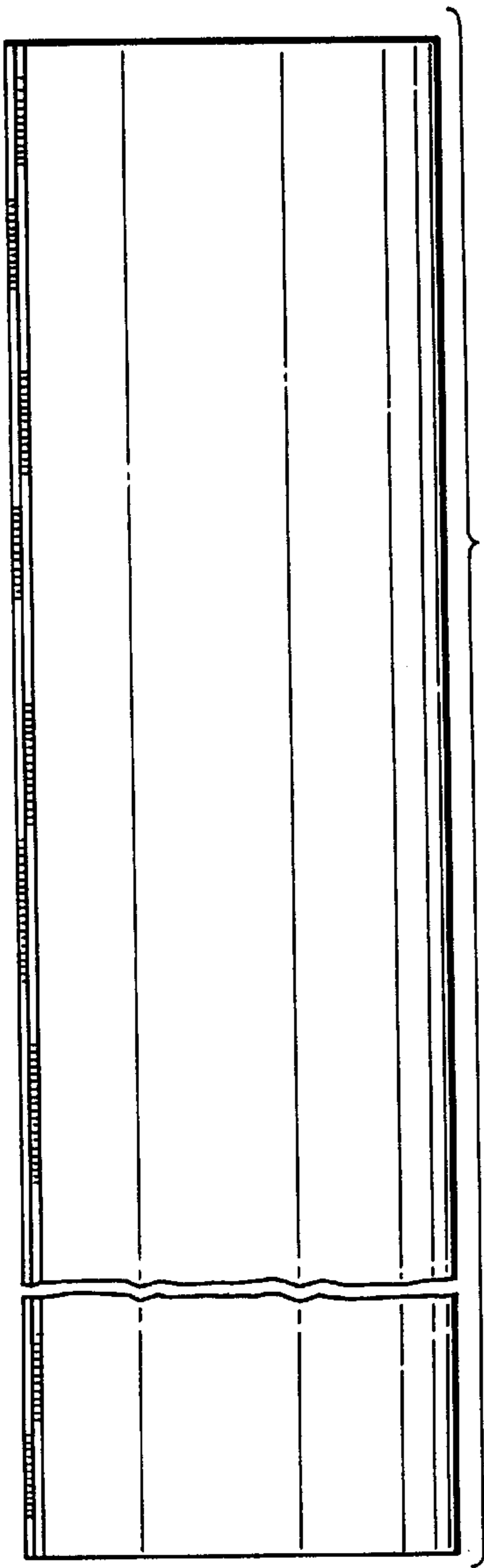


FIG. 8.

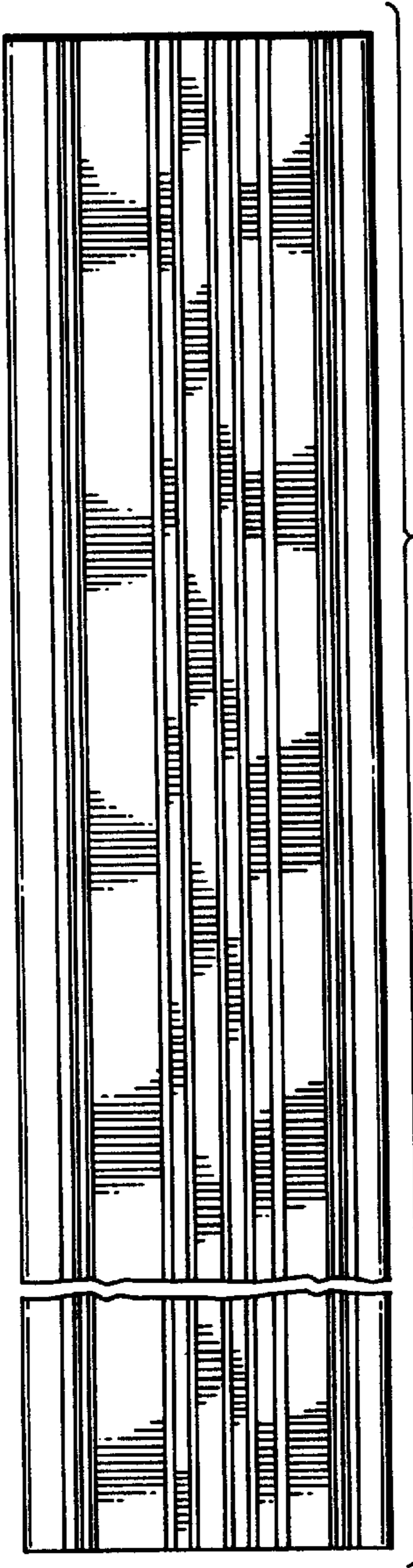


FIG. 9.

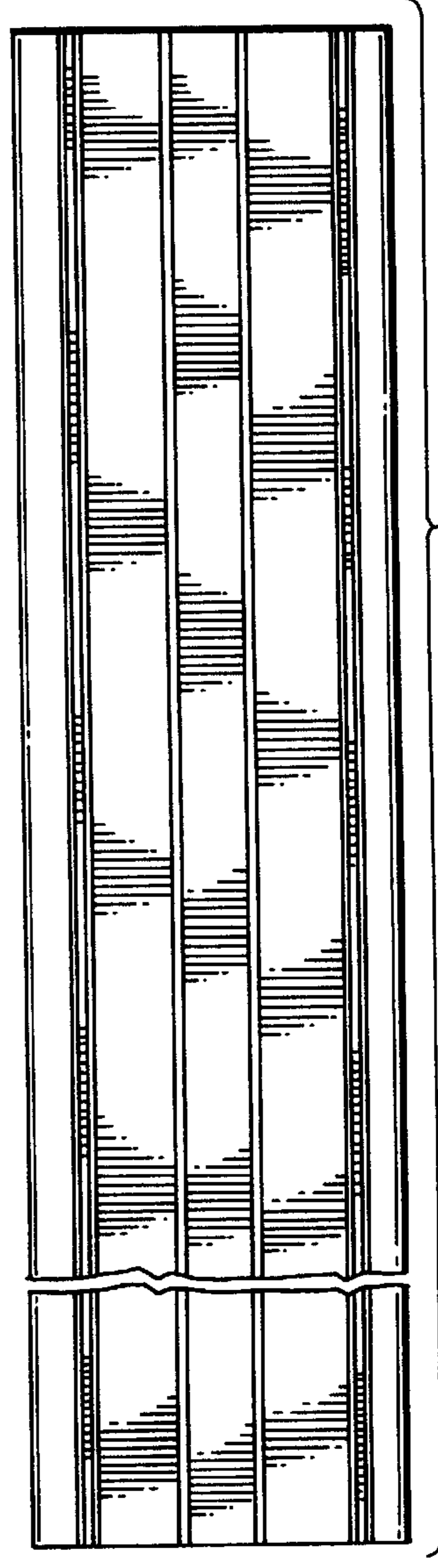


FIG. 10.