



US00D467009S

(12) **United States Design Patent** (10) **Patent No.:** **US D467,009 S**
Agee (45) **Date of Patent:** **** Dec. 10, 2002**

(54) **RETAINING WALL BLOCK**
(76) Inventor: **Frederic R. Agee**, 445 Battery Row,
Wilsonville, AL (US) 35186
(**) Term: **14 Years**

5,913,790 A 6/1999 Dawson
5,941,042 A 8/1999 Dueck
5,951,210 A 9/1999 Maguire et al.
6,062,772 A 5/2000 Perkins
6,113,138 A 9/2000 Guth

* cited by examiner

(21) Appl. No.: **29/139,222**
(22) Filed: **Mar. 26, 2001**

Primary Examiner—Louis S. Zarfes
Assistant Examiner—Robert A. Delehanty
(74) *Attorney, Agent, or Firm*—Christopher A. Holland;
Robert J. Veal; Burr & Forman LLP

Related U.S. Application Data

(63) Continuation-in-part of application No. 09/407,253, filed on
Sep. 28, 1999.
(51) **LOC (7) Cl.** **25-01**
(52) **U.S. Cl.** **D25/113**
(58) **Field of Search** D25/102, 113–118,
D25/199; D21/484–486, 499–505; 405/284,
16, 272–273, 262, 286; 404/29–30, 34,
37–42; 52/102, 574–577, 596, 603–612,
589.1, 592.6

(57) **CLAIM**

The ornamental design for a retaining wall block, as shown
and described.

DESCRIPTION

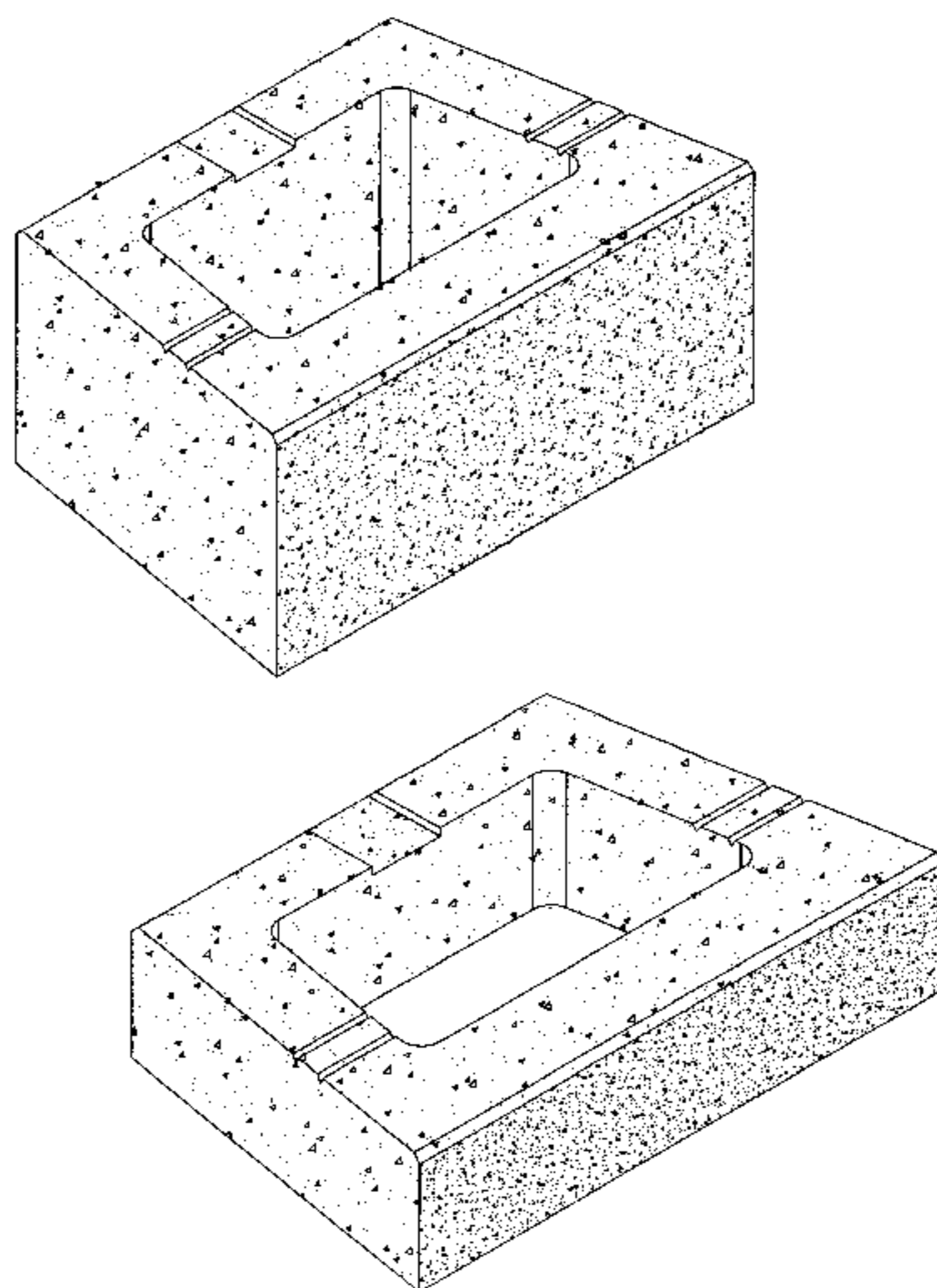
(56) **References Cited**

U.S. PATENT DOCUMENTS

2,313,363 A 3/1943 Schmitt
4,490,075 A 12/1984 Risi et al.
D280,024 S 8/1985 Risi et al.
D296,007 S 5/1988 Forsberg
4,802,320 A 2/1989 Forsberg
4,825,619 A 5/1989 Forsberg
5,044,834 A 9/1991 Janopaul, Jr.
5,214,898 A 6/1993 Beretta
5,252,017 A 10/1993 Hodel
5,257,880 A 11/1993 Janopaul, Jr.
5,505,034 A 4/1996 Dueck
5,535,568 A 7/1996 Quinn
5,704,183 A 1/1998 Woolford
5,788,423 A 8/1998 Perkins
5,795,105 A 8/1998 Guth
5,820,304 A * 10/1998 Sorheim et al. 405/286
5,827,015 A 10/1998 Woolford et al.

FIG. 1 is a top, side perspective view of a block showing my
new design;
FIG. 2 is a top plan view shown on a reduced scale thereof;
FIG. 3 is a front elevation view shown on a reduced scale
thereof;
FIG. 4 is a right side elevation view shown on a reduced
scale, the left side being a mirror image thereof;
FIG. 5 is a bottom plan view shown on a reduced scale
thereof;
FIG. 6 is a perspective view of a block shown with like
blocks on a greatly reduced scale in a straight arrangement
thereof;
FIG. 7 is a perspective view of a block shown with like
blocks on a greatly reduced scale in an arc or curve arrange-
ment thereof; and
FIG. 8 a sectional view taken along lines 8—8 shown in
FIG. 2 thereof; and,
FIG. 9 is a top, side perspective view of a second embodi-
ment of a block.
The broken line showing of a plurality of retaining wall
blocks and surrounding environment is for illustrative pur-
poses only and forms no part of the claimed design.

1 Claim, 6 Drawing Sheets



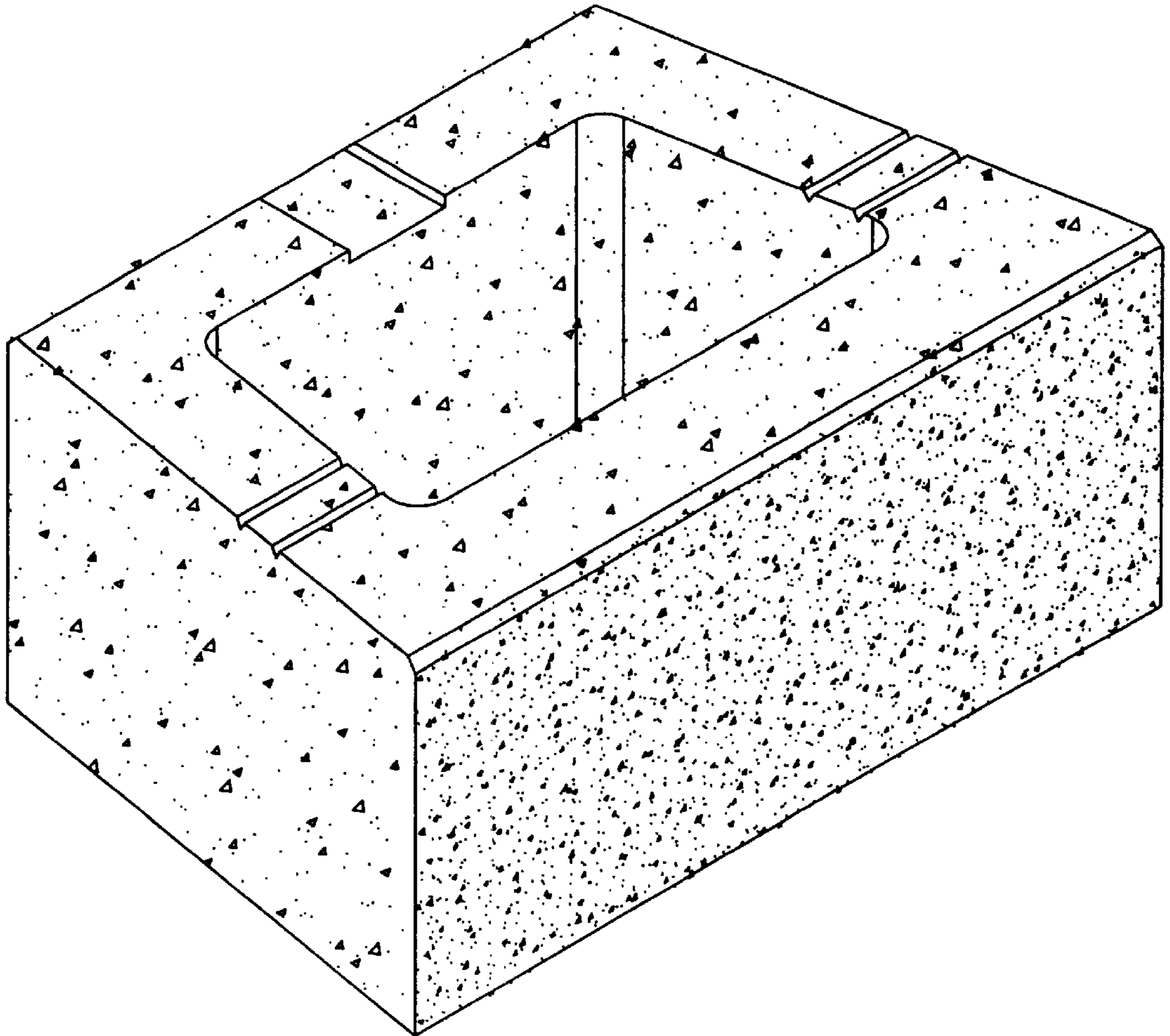
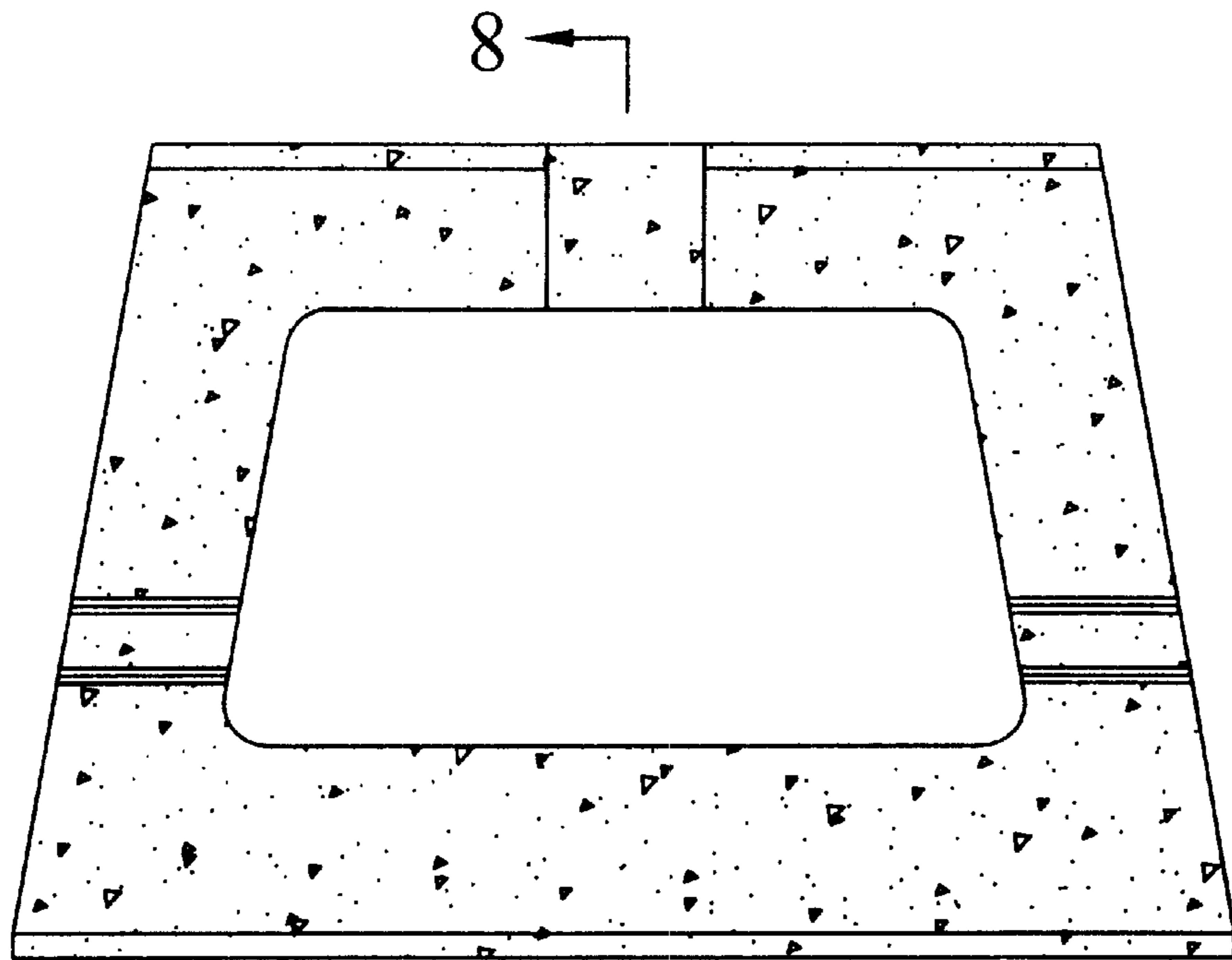


FIG. 1



8
8
FIG. 2

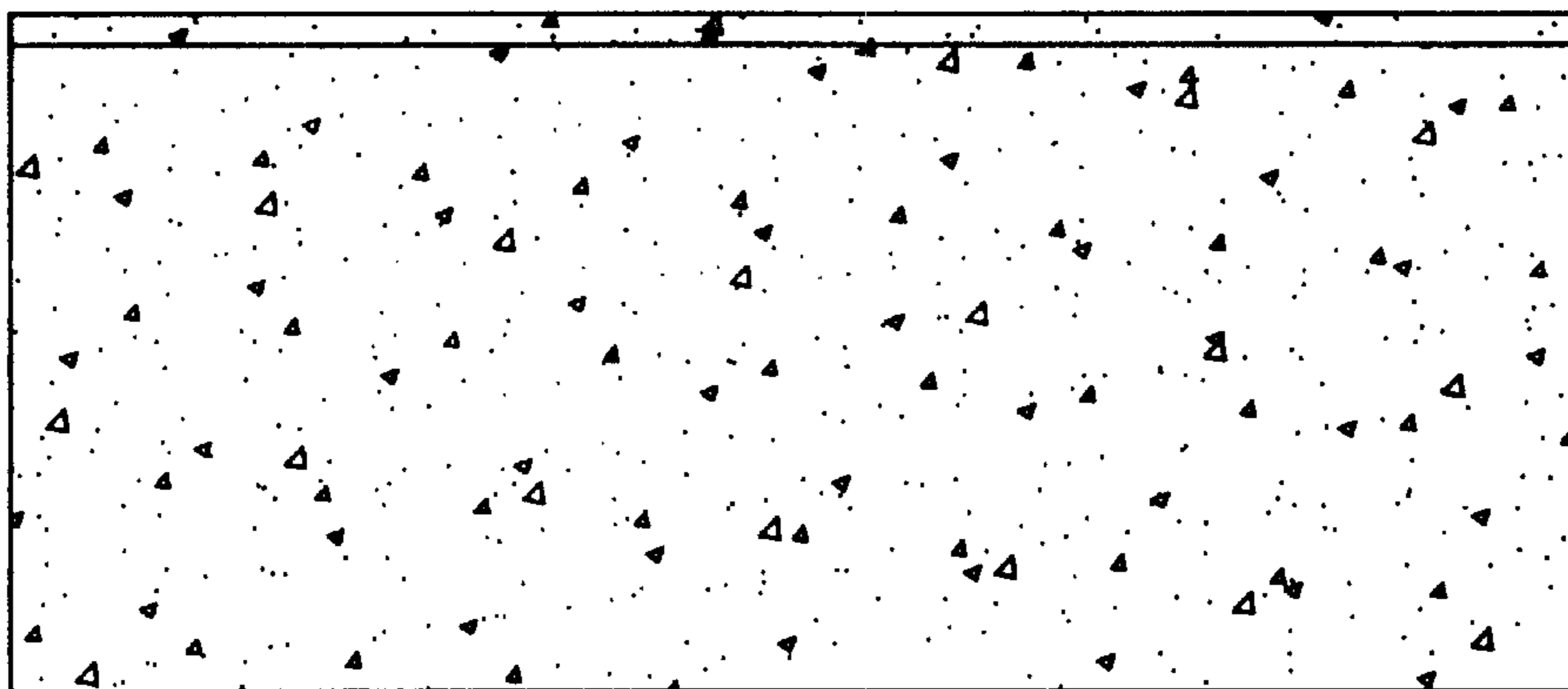


FIG. 3

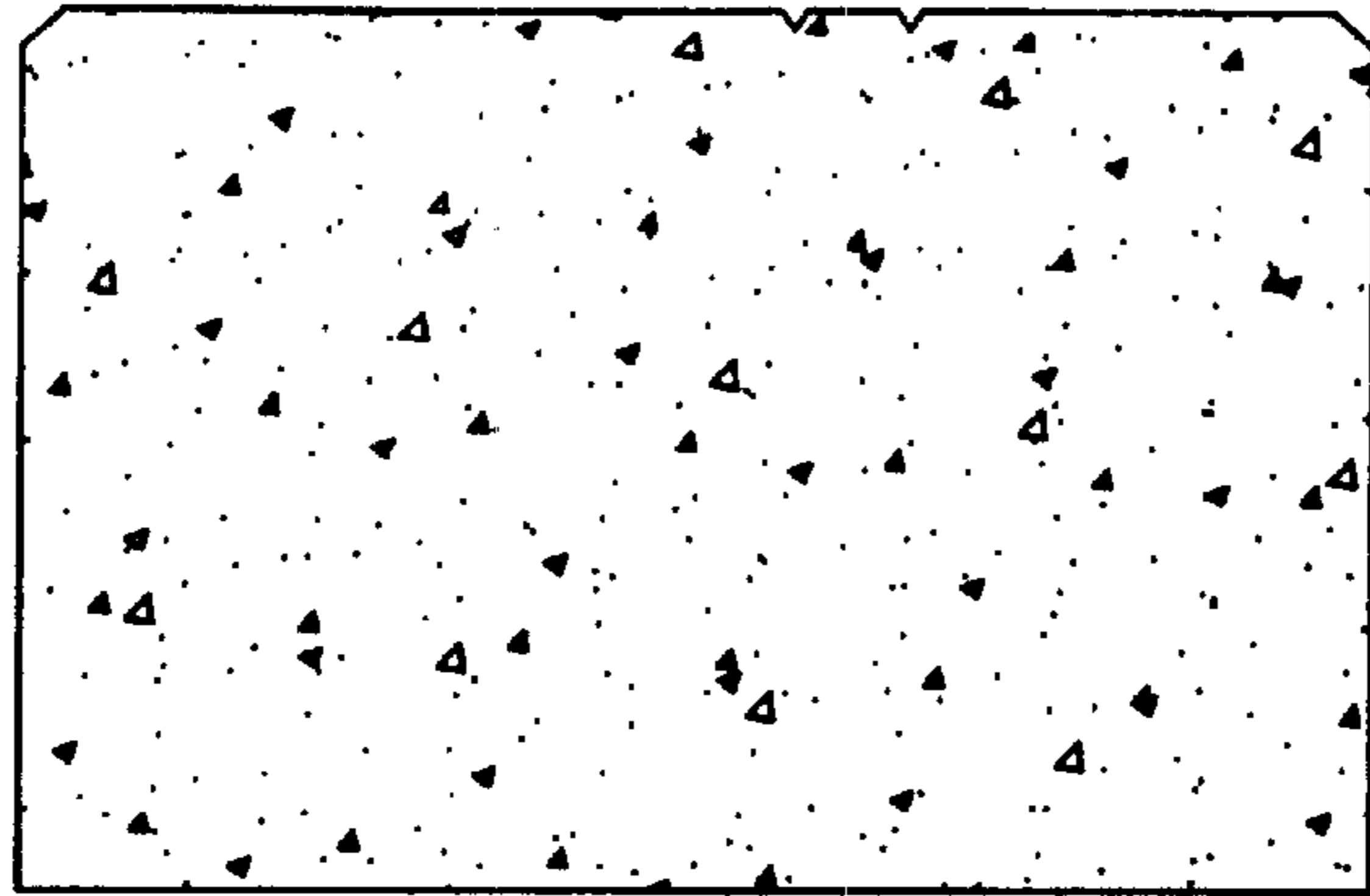


FIG. 4

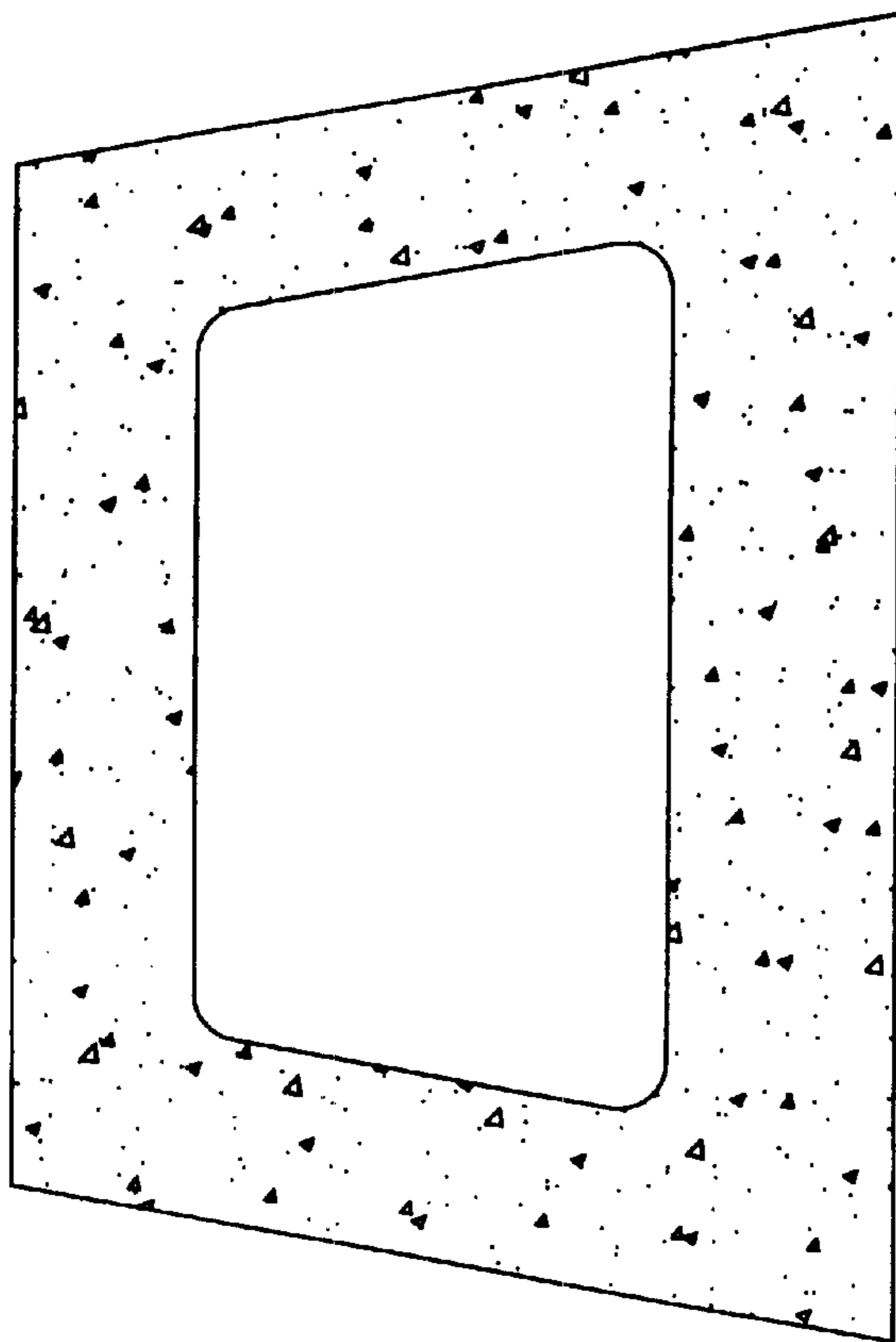


FIG. 5

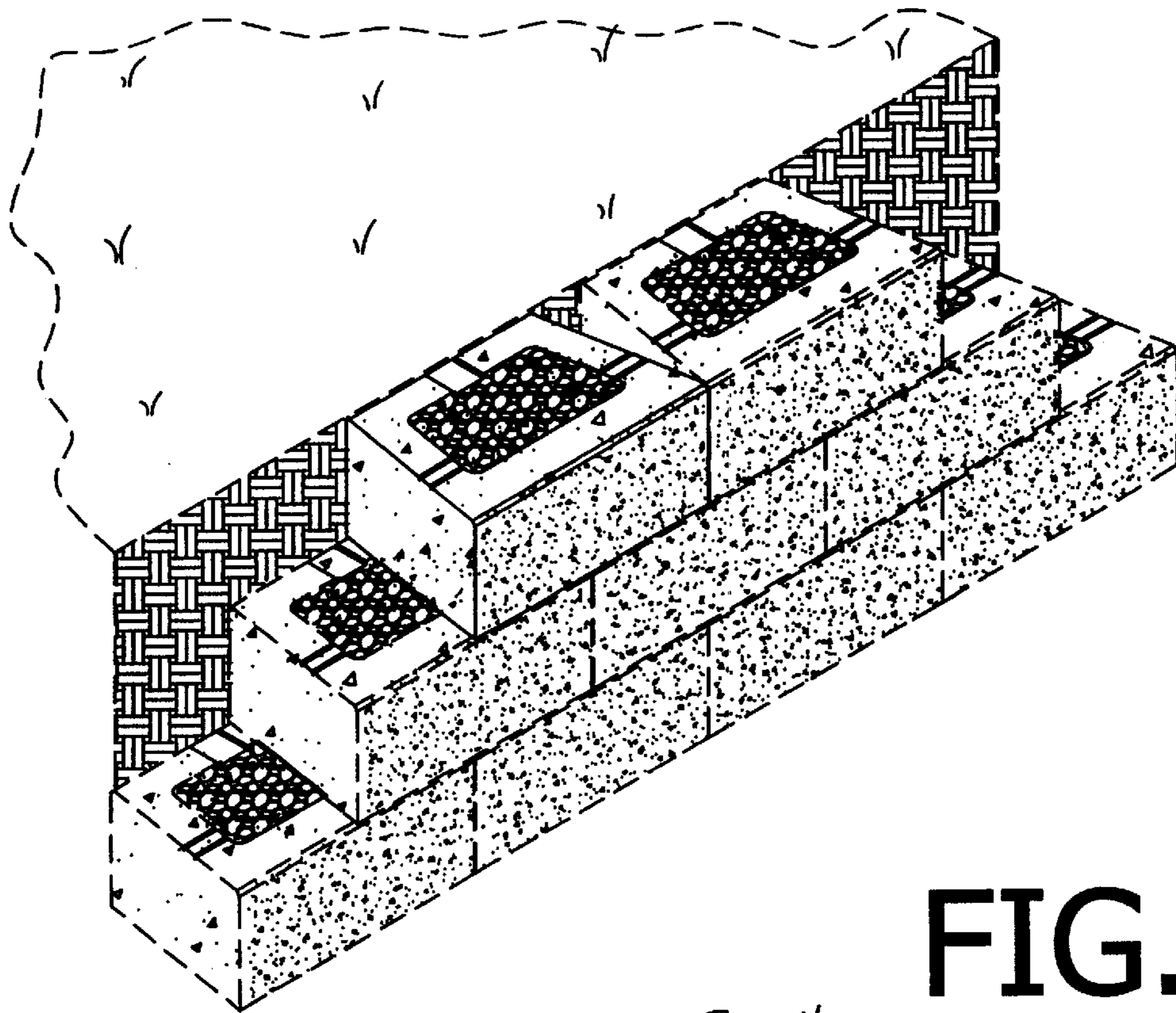


FIG. 6

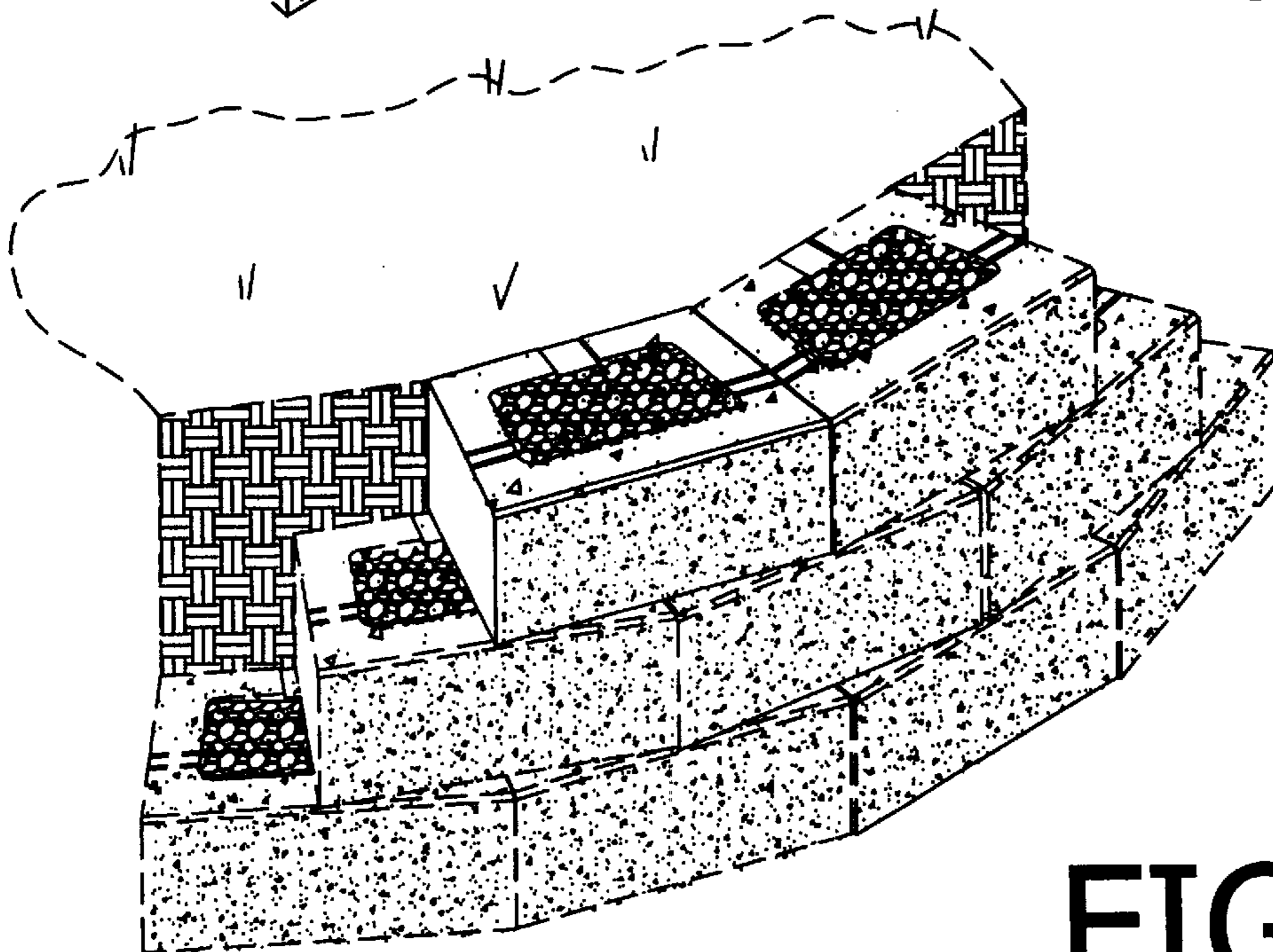


FIG. 7

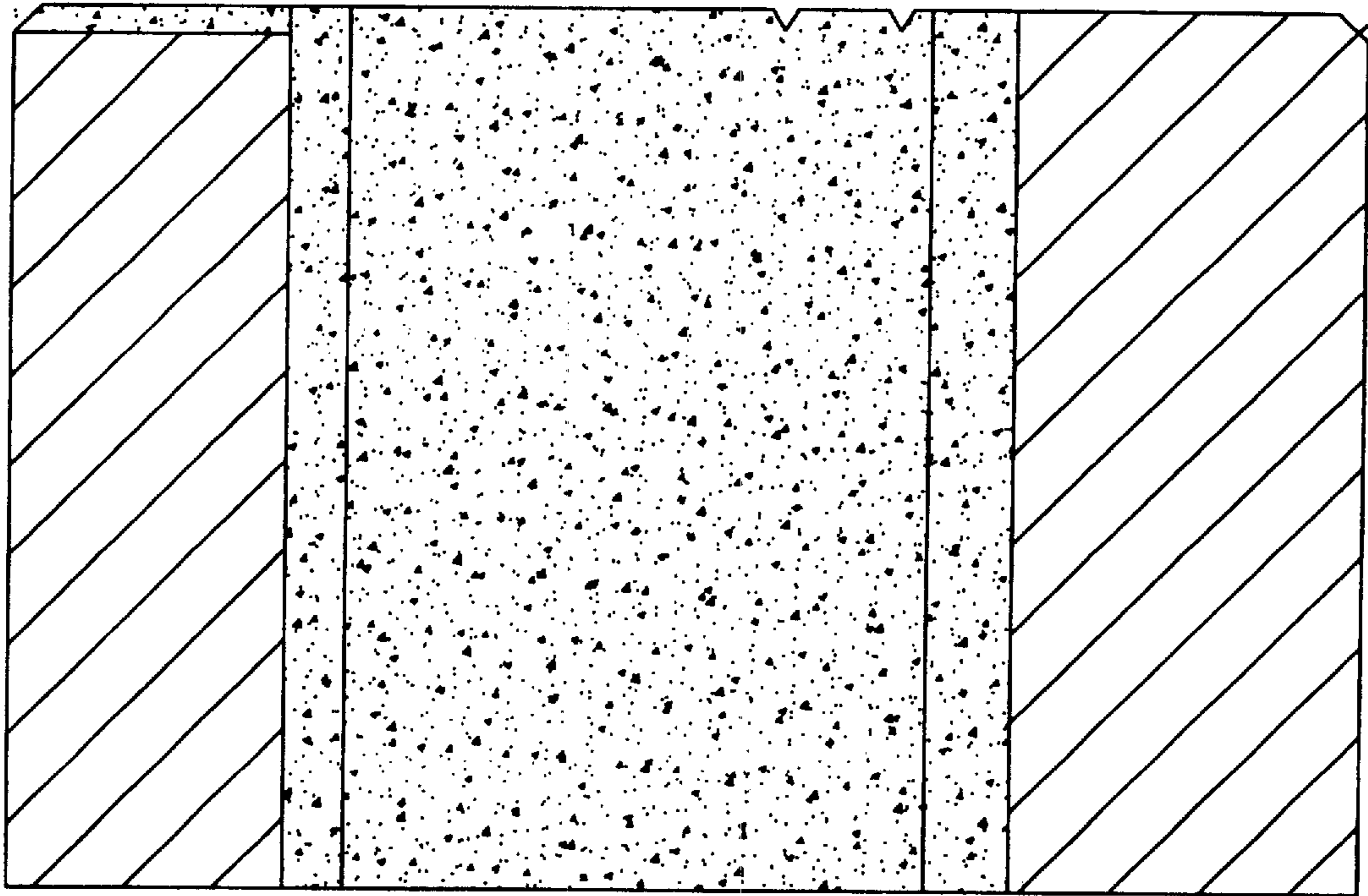


FIG. 8

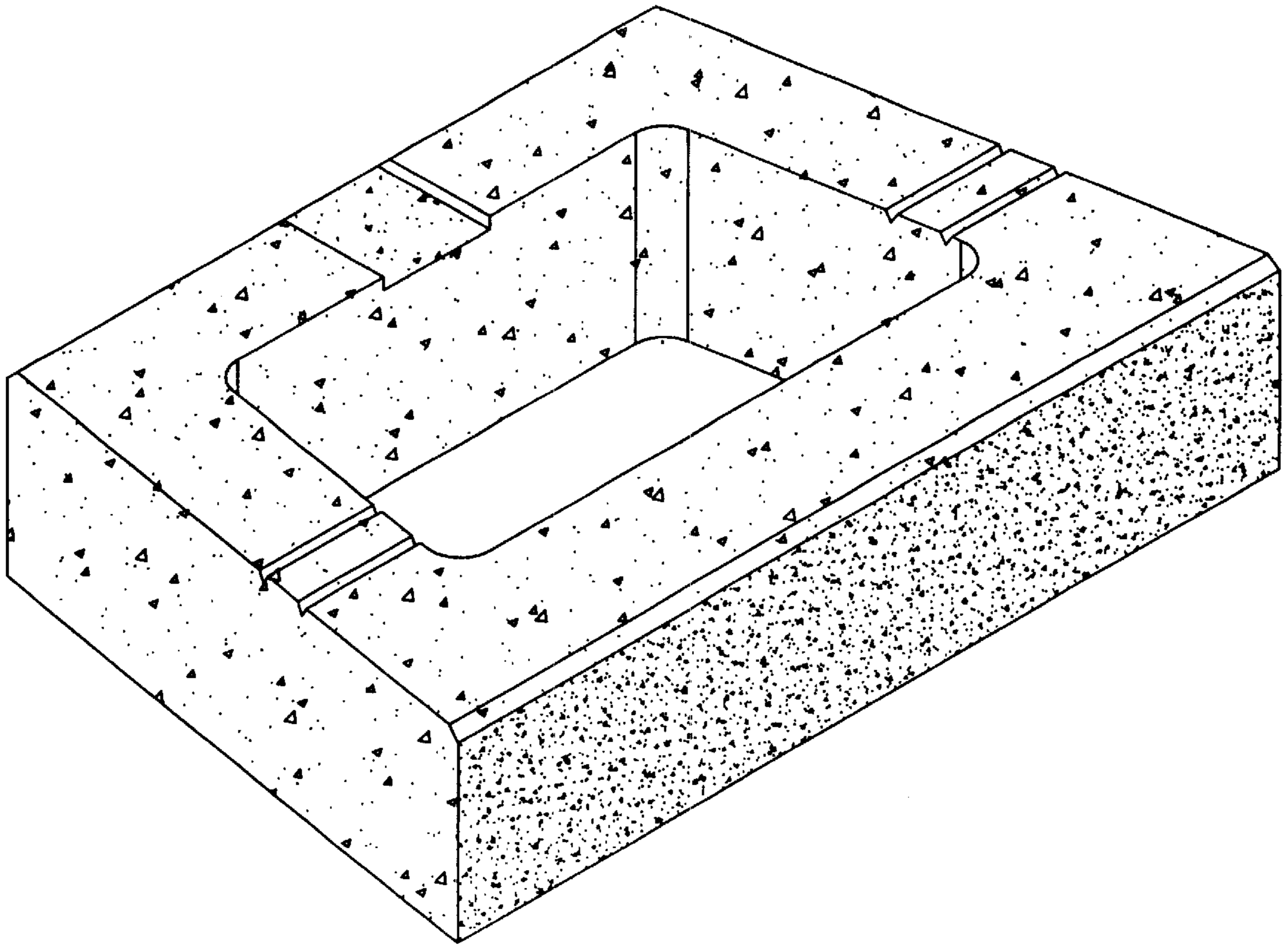


FIG. 9