



US00D467001S

(12) **United States Design Patent**
Buczek et al.

(10) **Patent No.:** **US D467,001 S**

(45) **Date of Patent:** **** Dec. 10, 2002**

(54) **SURGICAL CONSOLE**

D447,567 S * 9/2001 Murphy et al. D24/172

(75) Inventors: **Mark J. Buczek**, Oceanside, CA (US);
Kevin M. Creed, Colleyville, TX (US);
David A. Eister, Mansfield, TX (US);
Douglas M. Fanney, San Clemente, CA
(US); **Michael D. Morgan**, Costa
Mesa, CA (US); **Argelio M. Olivera**,
Los Alamitos, CA (US); **Robert H.**
Peterson, Rancho Santa Margarita, CA
(US); **David M. Weston**, Newport
Beach, CA (US)

* cited by examiner

Primary Examiner—Stella Reid

(74) *Attorney, Agent, or Firm*—Jeffrey S. Schira

(57) **CLAIM**

The ornamental design for a surgical console, as shown and described.

DESCRIPTION

FIG. 1 is a top, front, left perspective view of the surgical console of the present invention.

FIG. 2 is a front elevational view of the surgical console of the present invention.

FIG. 3 is a rear elevational view of the surgical console of the present invention.

FIG. 4 is a left side elevational view of the surgical console of the present invention.

FIG. 5 is a right side elevational view of the surgical console of the present invention.

FIG. 6 is a top plan view of the surgical console of the present invention; and,

FIG. 7 is a bottom plan view of the surgical console of the present invention.

The surgical console of the present invention is used to control various pneumatic and electronic surgical tools as well as irrigation and aspiration used during ophthalmic surgery.

(73) Assignee: **Alcon, Inc.**, Hunenbergl (CH)

(**) Term: **14 Years**

(21) Appl. No.: **29/157,759**

(22) Filed: **Mar. 25, 2002**

(51) **LOC (7) Cl.** **24-01**

(52) **U.S. Cl.** **D24/172**

(58) **Field of Search** D24/172; 606/171,
606/167, 4, 5, 6, 10, 19; 312/209, 223.1,
223.2

(56) **References Cited**

U.S. PATENT DOCUMENTS

- D352,106 S * 11/1994 Fanney et al. D24/185
- D410,544 S * 6/1999 Metzler et al. D24/172
- 6,022,088 A * 2/2000 Metzler 312/209

1 Claim, 6 Drawing Sheets

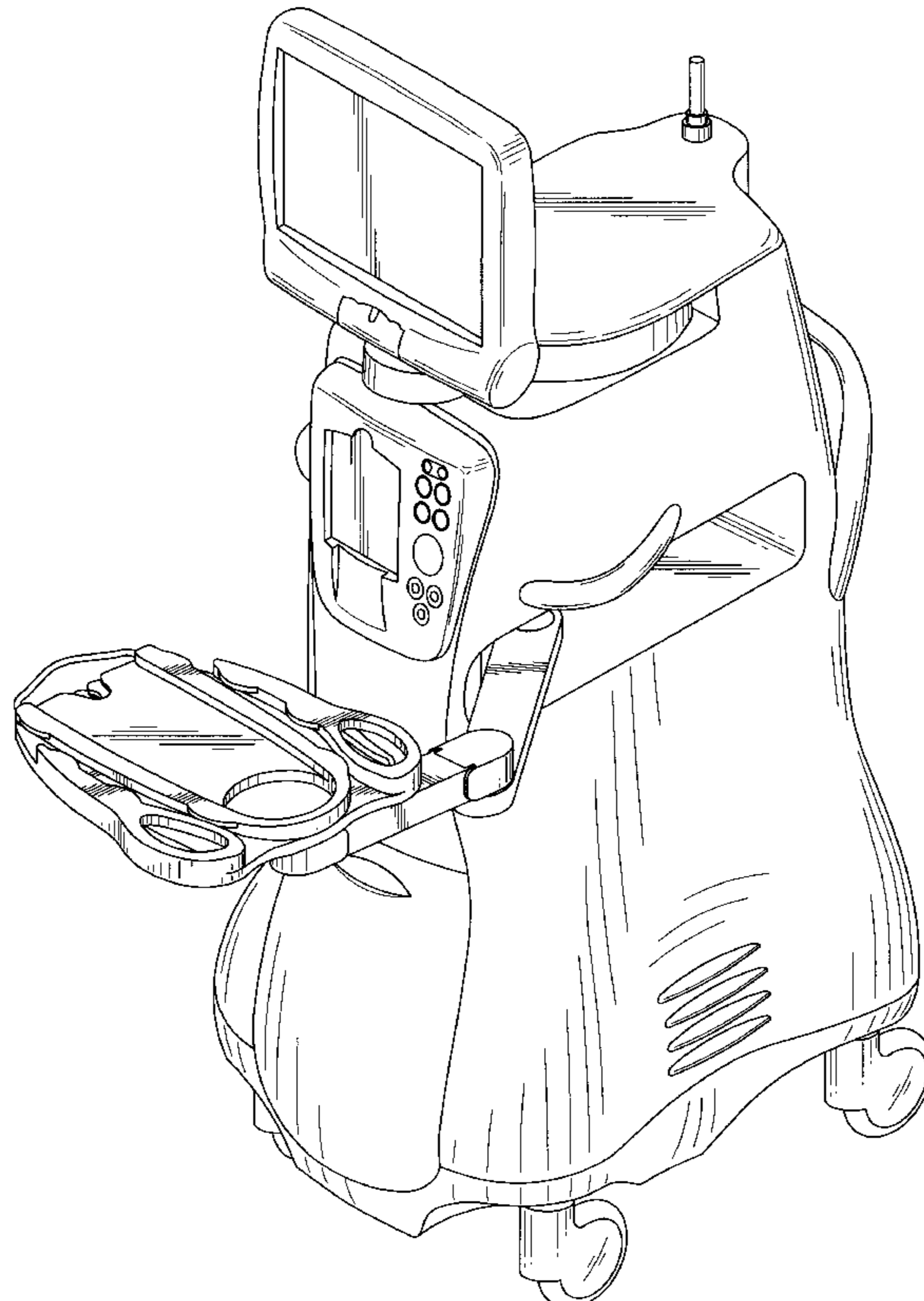


Fig. 1

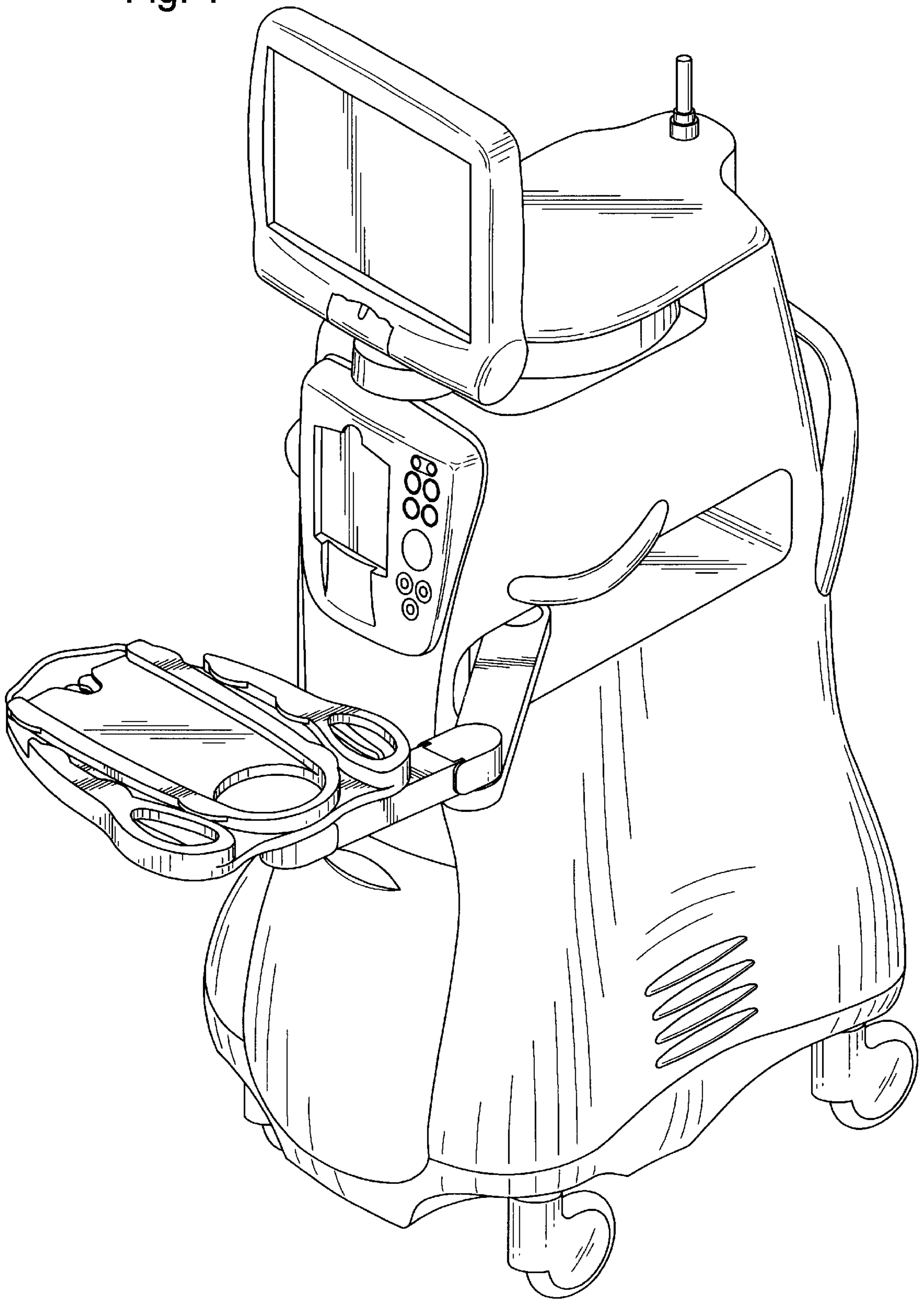


Fig. 2

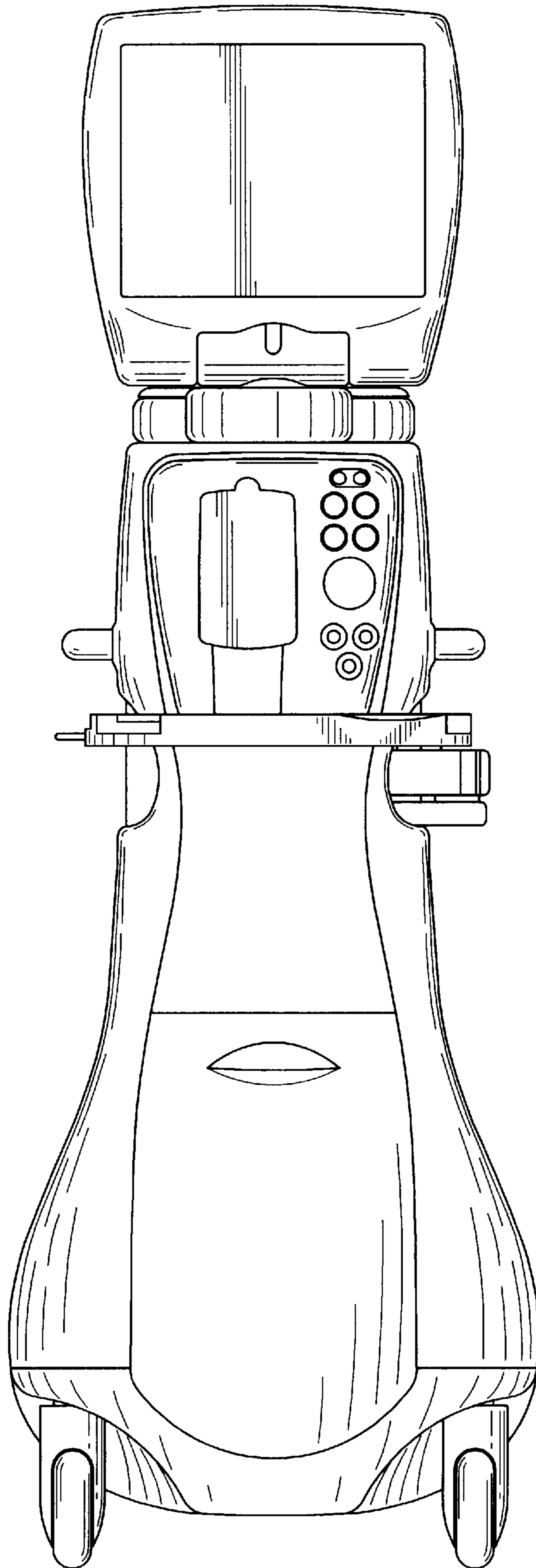


Fig. 3

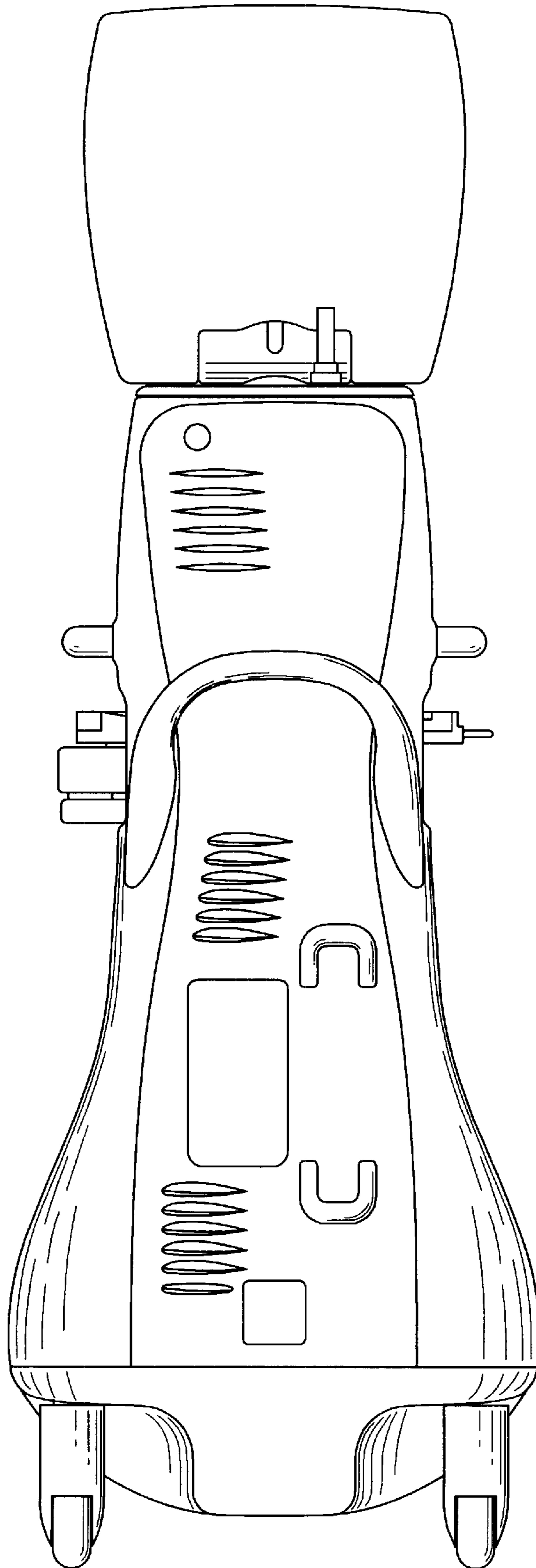


Fig. 4

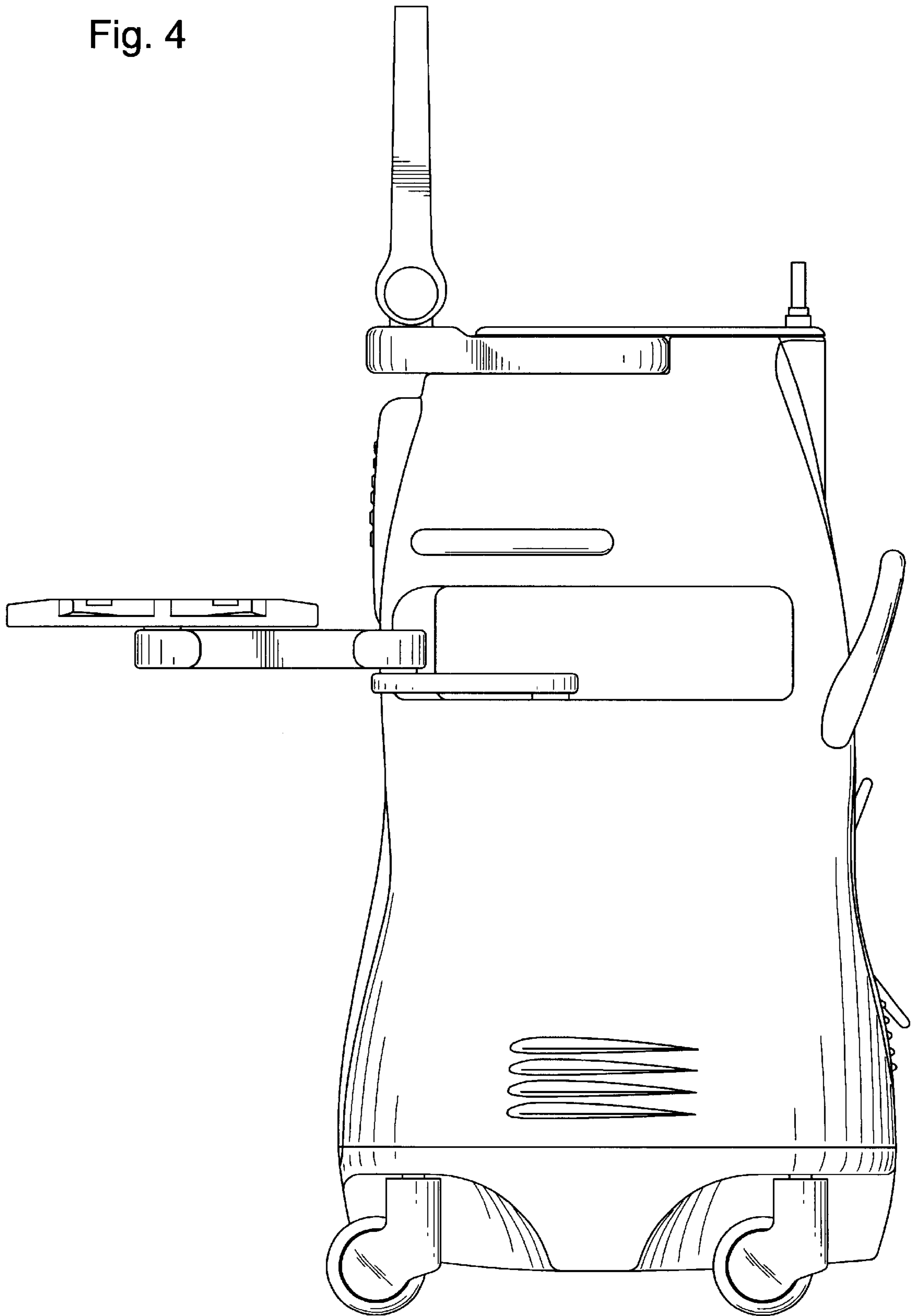
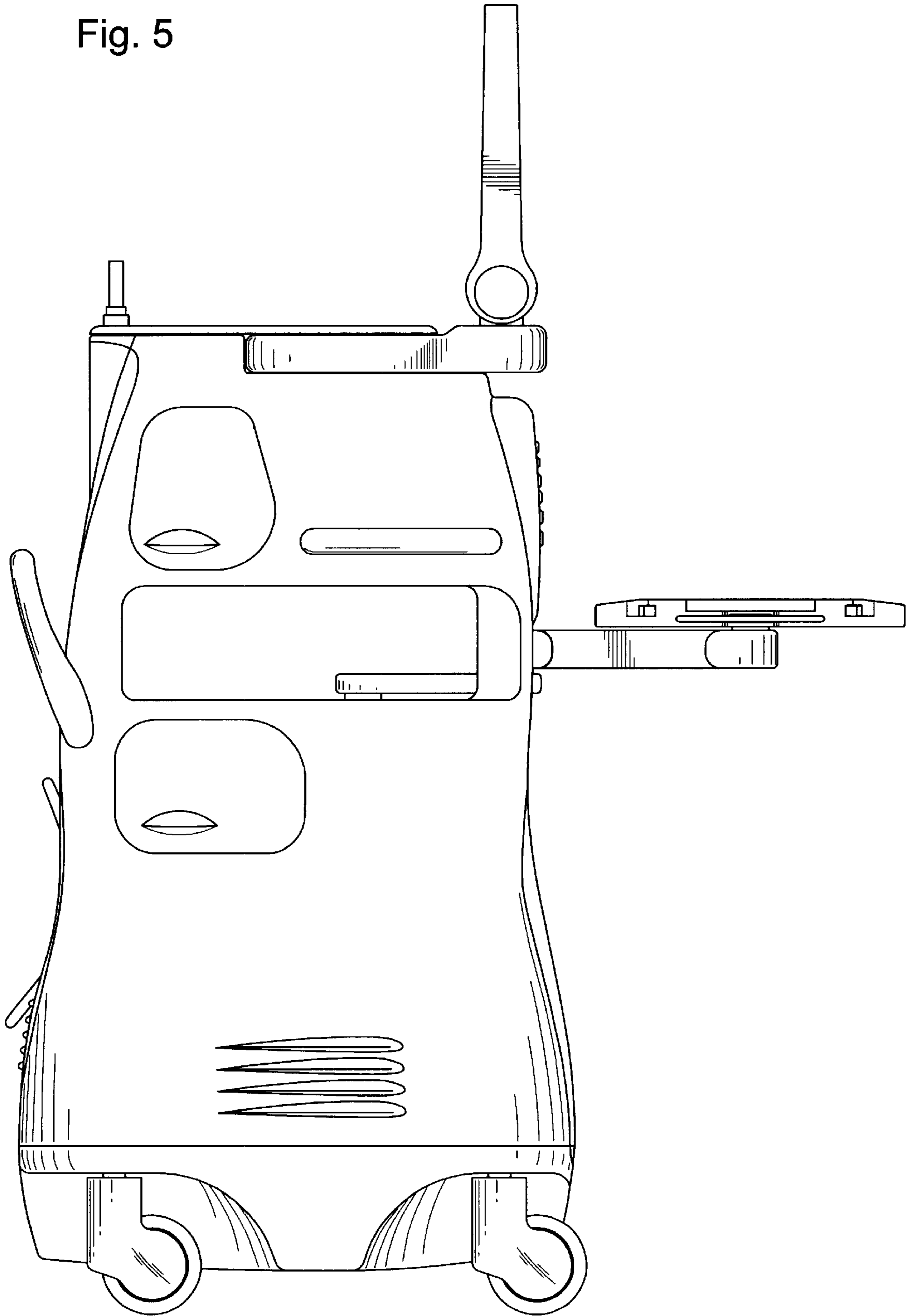


Fig. 5



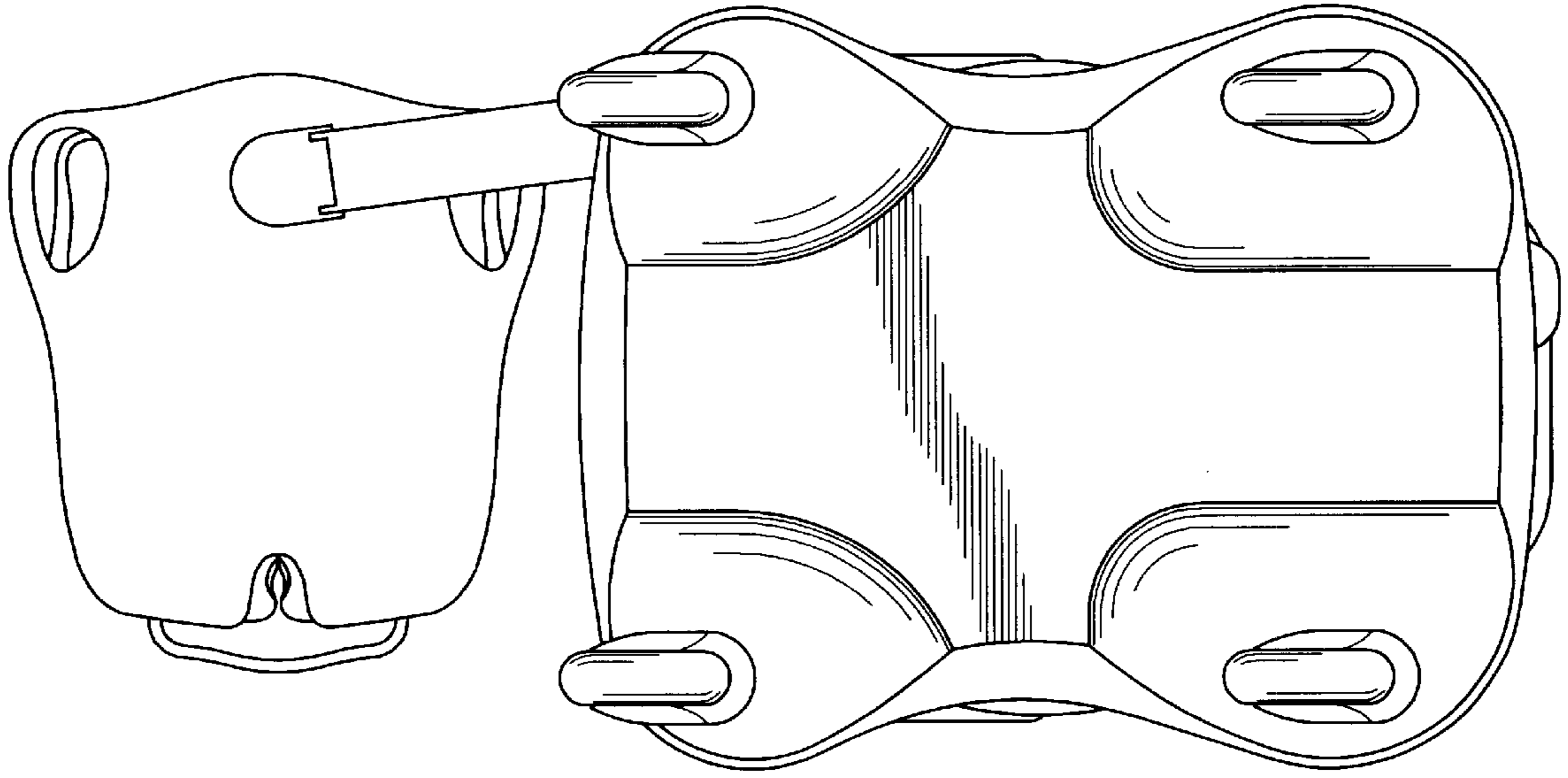


Fig. 7

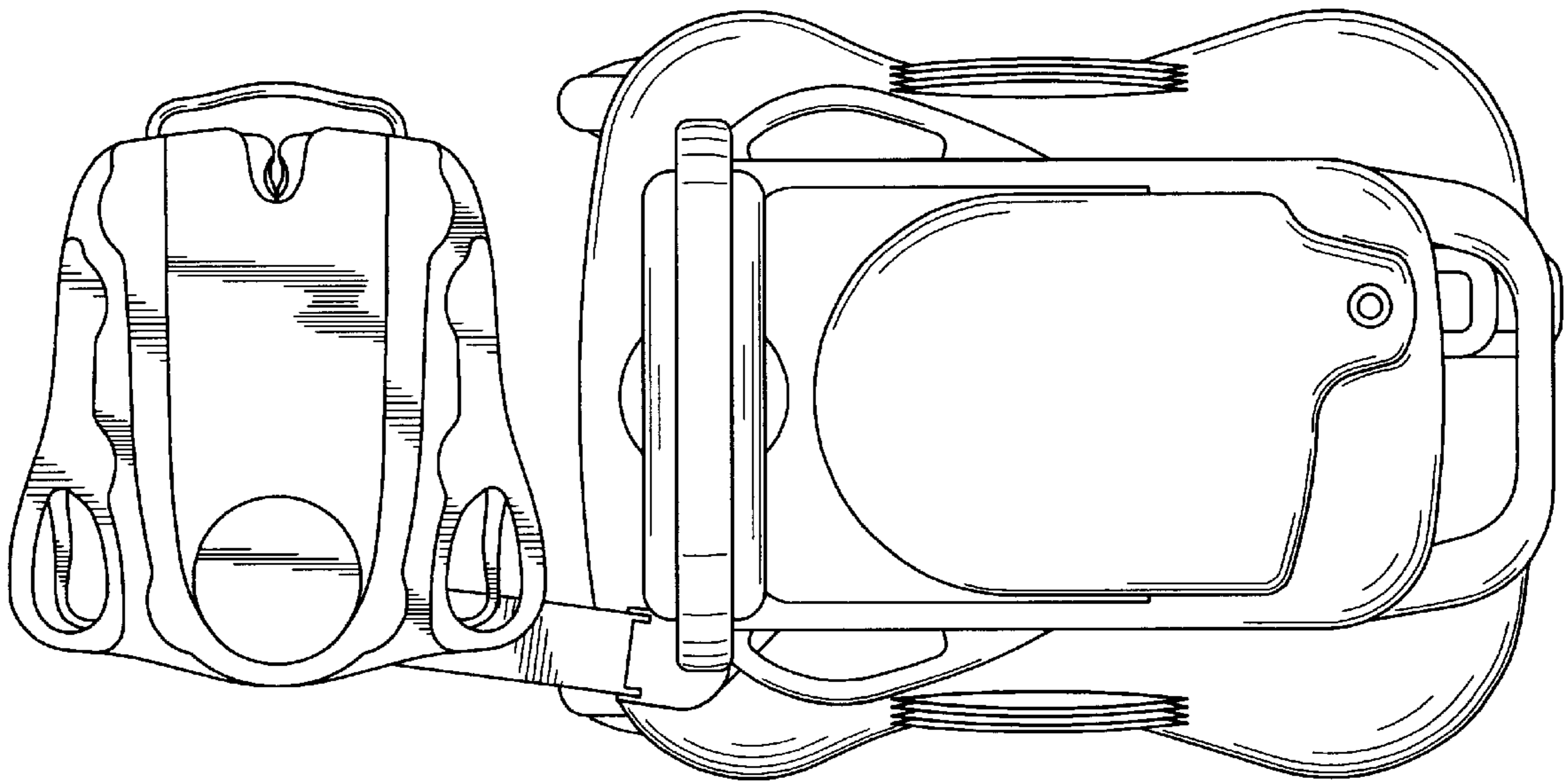


Fig. 6