



US00D467000S

(12) **United States Design Patent** (10) **Patent No.:** **US D467,000 S**  
**Hui** (45) **Date of Patent:** **\*\* Dec. 10, 2002**

(54) **EXTERNAL COUNTERPULSATION APPARATUS**

D376,013 S \* 11/1996 Sandman et al. .... D24/169  
5,997,540 A \* 12/1999 Zheng et al. .... 601/152 X

(75) Inventor: **John C. K. Hui**, East Setauket, NY (US)

**OTHER PUBLICATIONS**

Vasomedical Inc., EECF-Model MC, Operation Manual, Jun. 1996.

(73) Assignee: **Vasomedical, Inc.**, Westbury, NY (US)

\* cited by examiner

(\*\*) Term: **14 Years**

*Primary Examiner*—Stella Reid

(21) Appl. No.: **29/153,113**

(74) *Attorney, Agent, or Firm*—Harness, Dickey & Pierce, P.L.C.

(22) Filed: **Nov. 9, 2001**

(51) **LOC (7) Cl.** ..... **24-01**

(52) **U.S. Cl.** ..... **D24/169**

(58) **Field of Search** ..... D24/169; 601/151, 601/152, 11; 606/202, 201; 604/4

(57) **CLAIM**

The ornamental design for an external counterpulsation apparatus, as shown and described.

**DESCRIPTION**

(56) **References Cited**

FIG. 1 is a front view of an external counterpulsation apparatus of the design according to this invention.

FIG. 2 is a side view of an external counterpulsation apparatus of the design according to this invention.

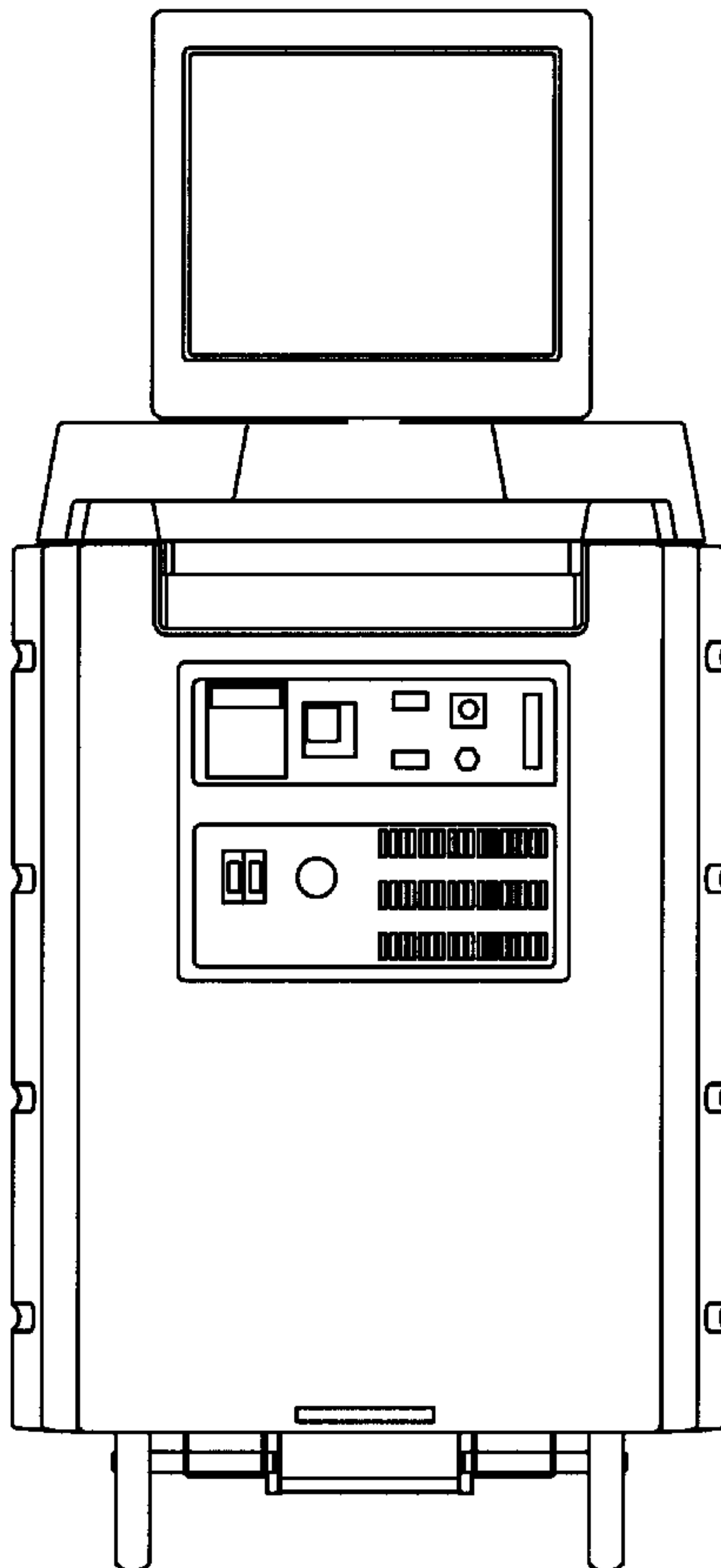
FIG. 3 is a rear view of an external counterpulsation apparatus of the design according to this invention; and,

FIG. 4 is a plan view of an external counterpulsation apparatus of the design according to this invention.

**U.S. PATENT DOCUMENTS**

- 3,288,132 A \* 11/1966 Meredith ..... 606/202 X
- 4,156,425 A \* 5/1979 Arkans ..... 601/152
- 4,253,449 A \* 3/1981 Arkans et al. .... 601/152
- D315,406 S \* 3/1991 Dye ..... D24/169
- 5,000,164 A \* 3/1991 Cooper ..... 601/11
- 5,069,661 A \* 12/1991 Trudell ..... 604/4
- D362,721 S \* 9/1995 Peeler et al. .... D24/169
- D367,115 S \* 2/1996 Barber et al. .... D24/169

**1 Claim, 4 Drawing Sheets**



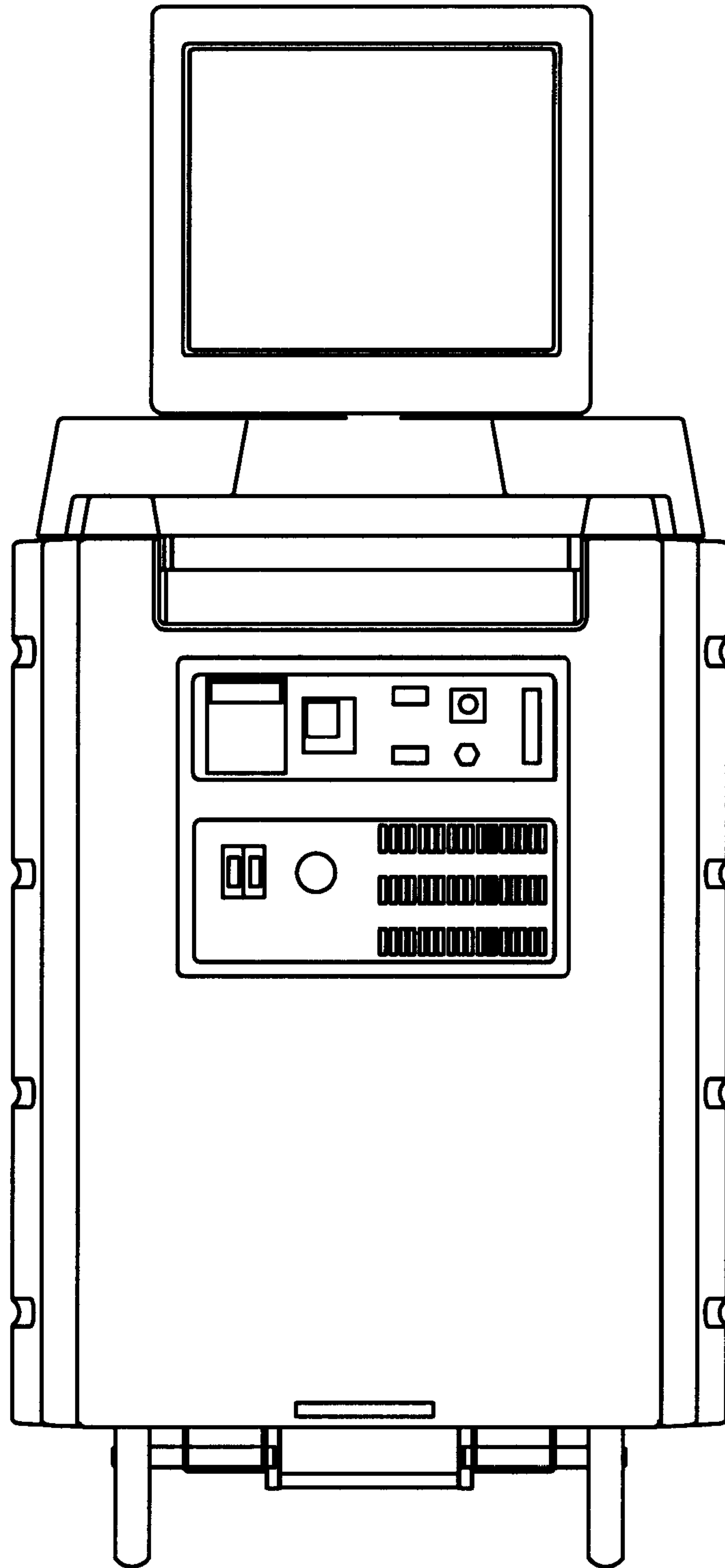


Figure - 1

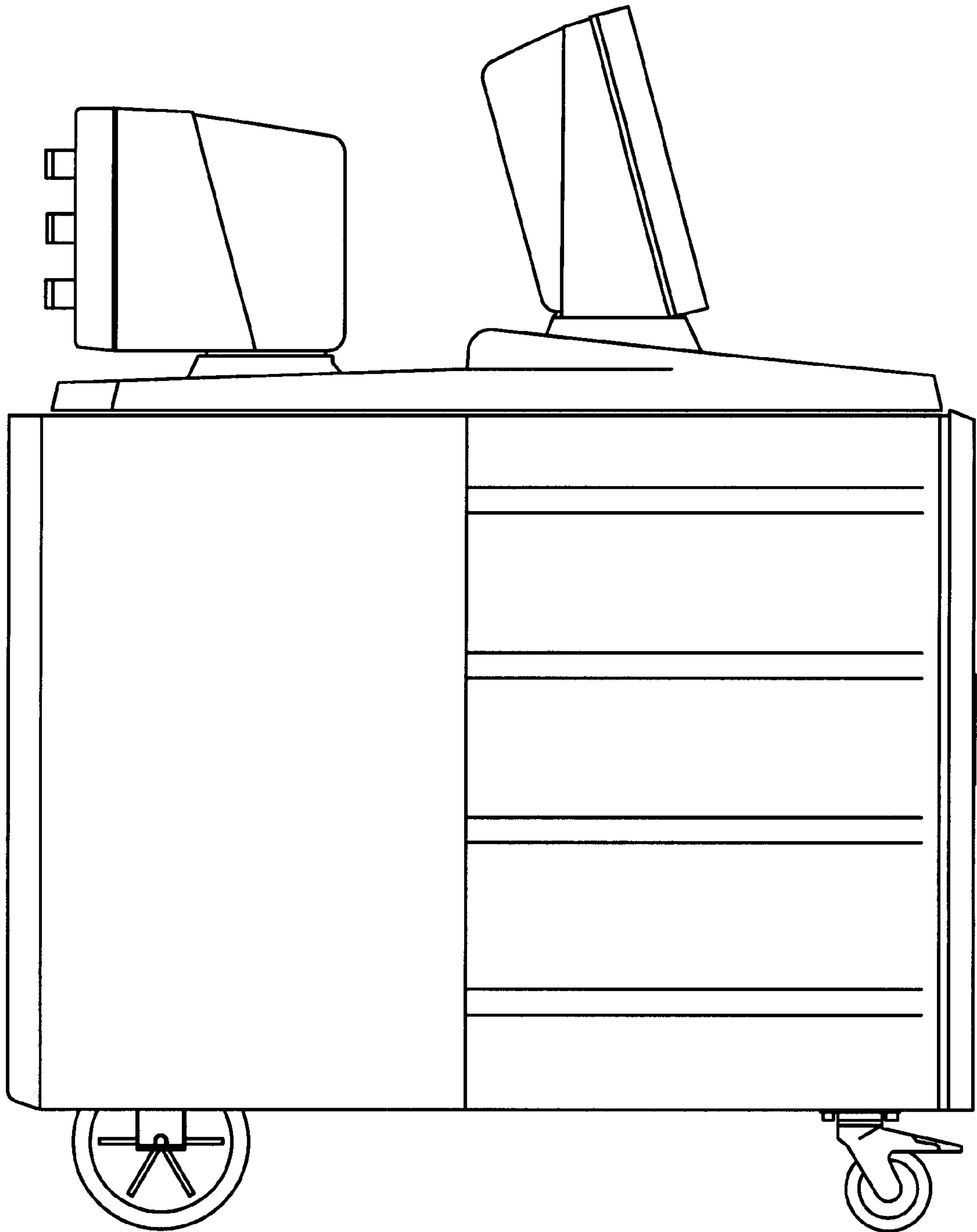


Figure - 2

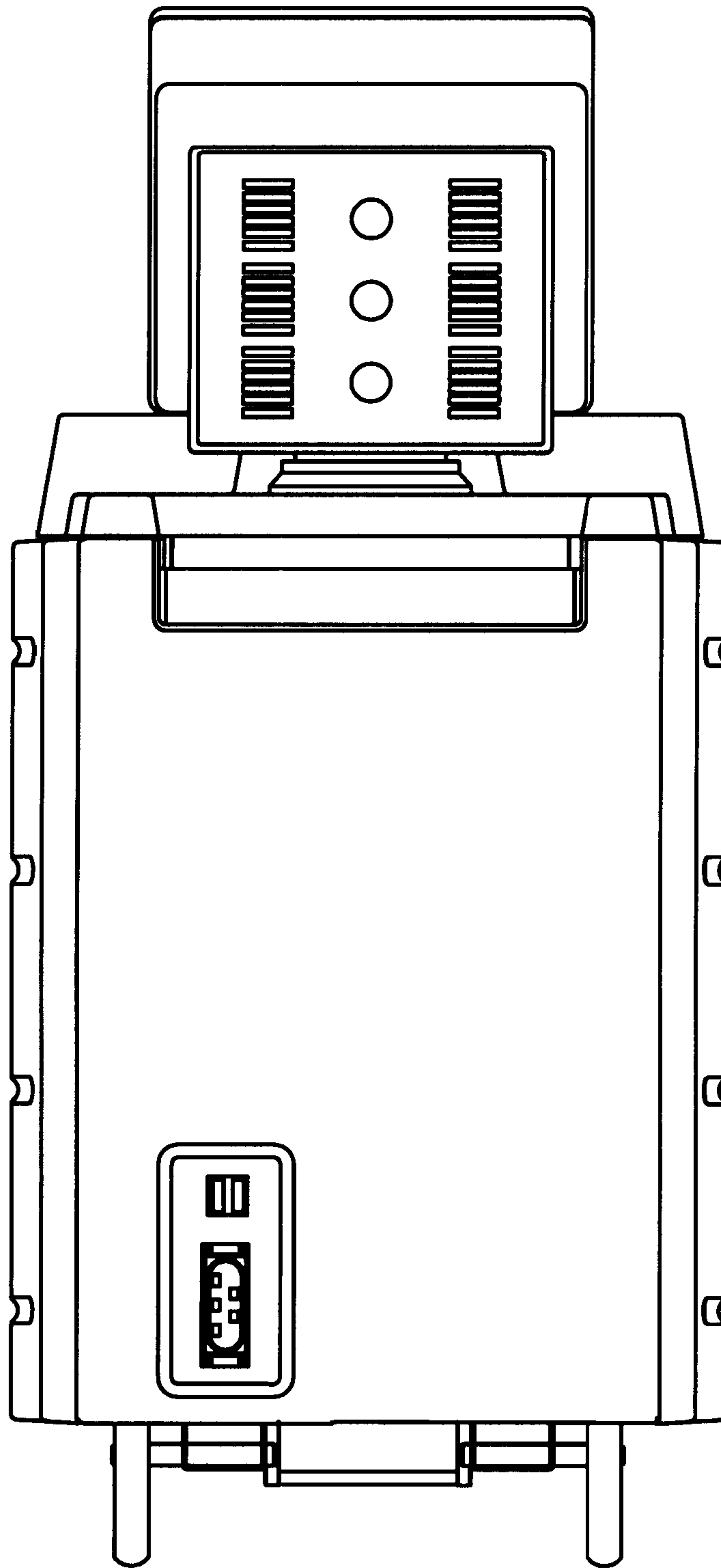


Figure - 3

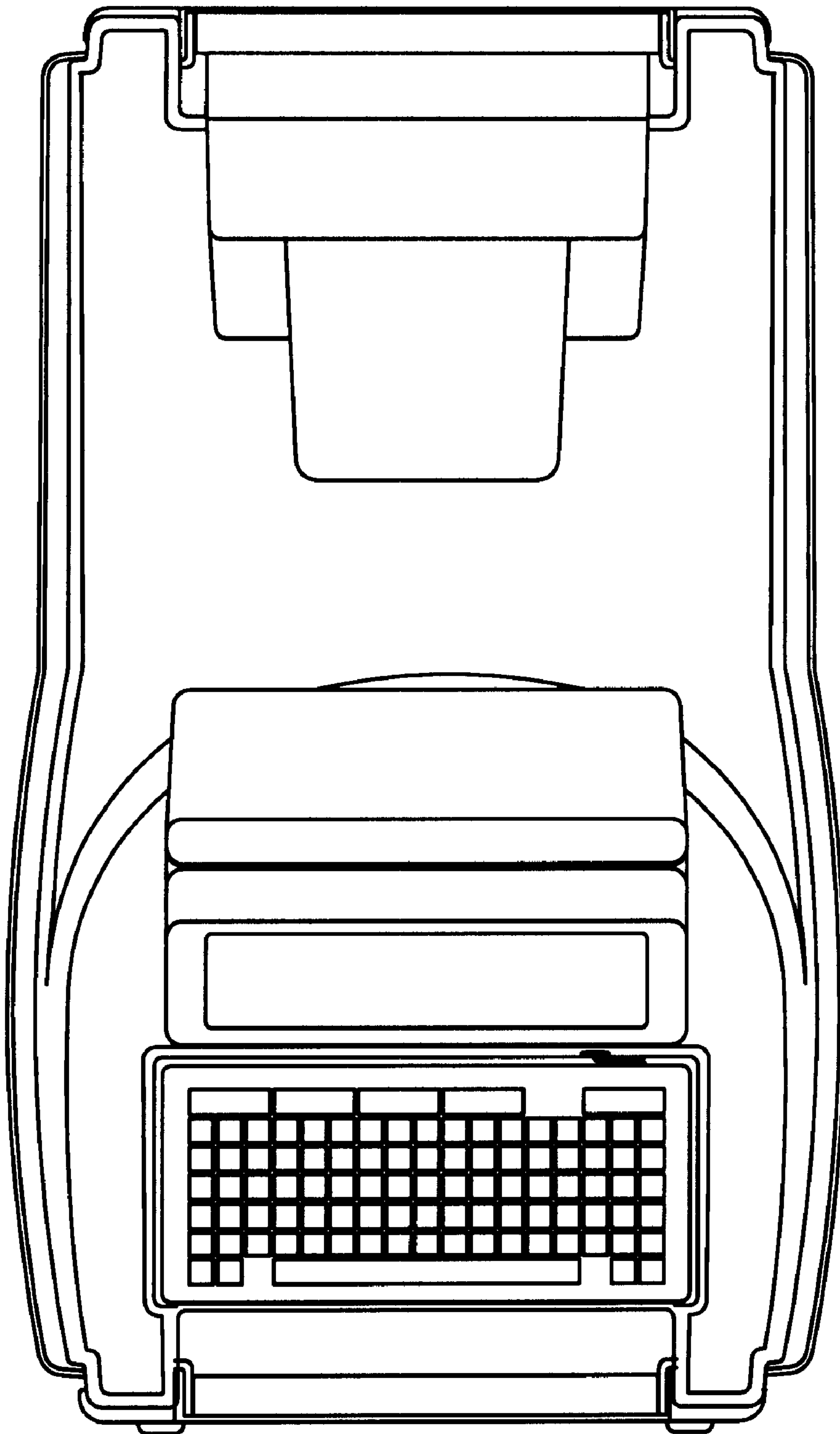


Figure - 4