



US00D466999S

(12) **United States Design Patent**
Ogrin

(10) **Patent No.:** **US D466,999 S**

(45) **Date of Patent:** **** Dec. 10, 2002**

(54) **TONGUE CLEANING STRAP**

(76) Inventor: **Rodney F. Ogrin**, 727 Bond Ave.,
Santa Barbara, CA (US) 93103

(**) Term: **14 Years**

(21) Appl. No.: **29/142,302**

(22) Filed: **May 24, 2001**

(51) **LOC (7) Cl.** **24-02**

(52) **U.S. Cl.** **D24/147**

(58) **Field of Search** D24/147, 146,
D24/149; D4/118; 606/161

6,013,089 A 1/2000 Goldberg 606/161
6,099,540 A 8/2000 Ho 606/161
6,152,939 A 11/2000 Nguyen et al. 606/161

* cited by examiner

Primary Examiner—Ian Simmons

(74) *Attorney, Agent, or Firm*—Kenneth J. Hovet

(57) **CLAIM**

The ornamental design for a tongue cleaning strap, as shown and described.

DESCRIPTION

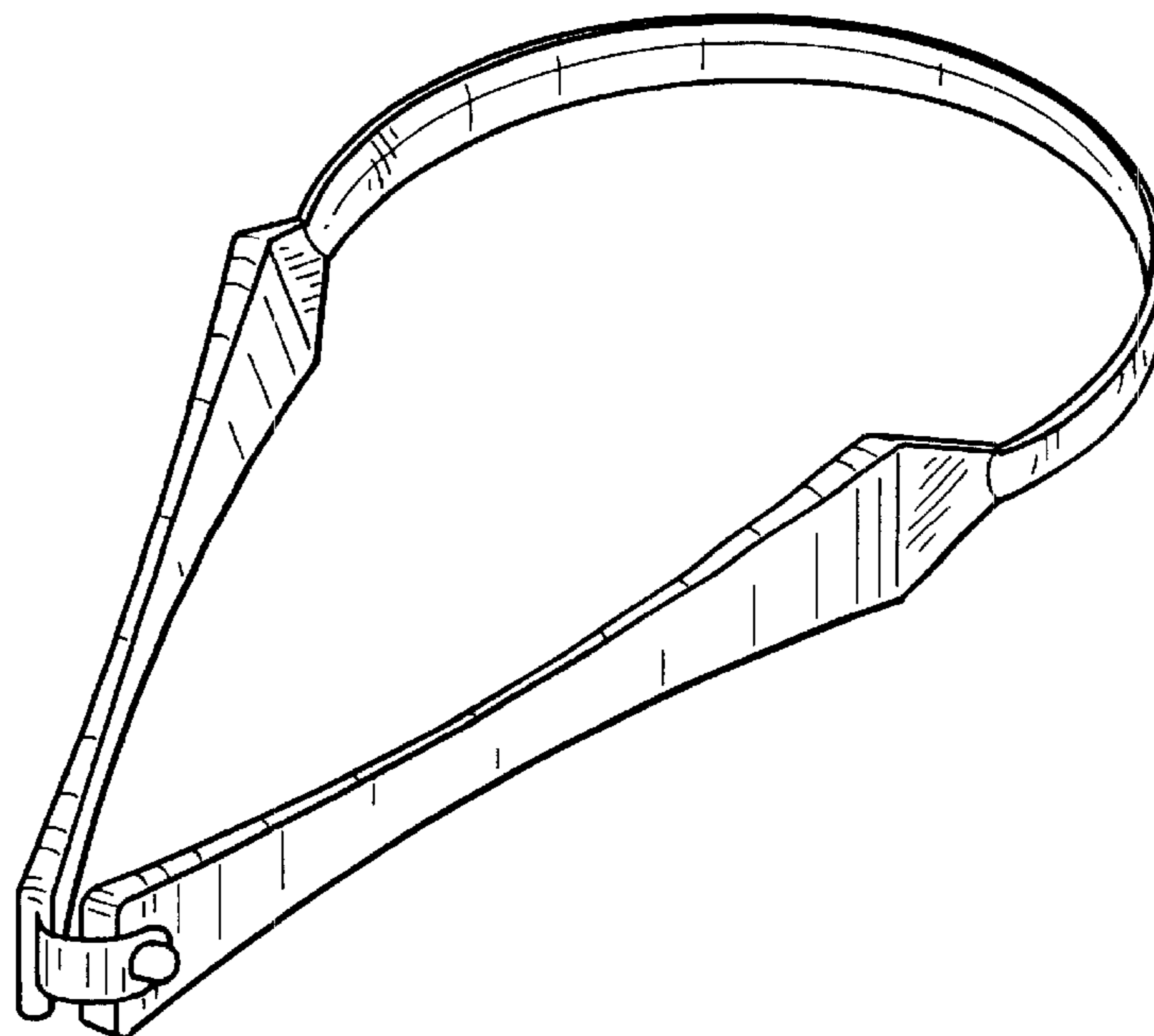
FIG. 1 is a top plan view of the tongue cleaning strap showing my new design;
FIG. 2 is a left side elevational view thereof with the right side being identical thereto;
FIG. 3 is a bottom plan view thereof;
FIG. 4 is a rear end elevational view thereof;
FIG. 5 is a front end elevational view thereof;
FIG. 6 is an enlarged cross-sectional view taken along lines 6—6 of FIG. 1; and,
FIG. 7 is an isometric view of the design shown in FIG. 1 with the front and rear ends fastened together.
FIG. 8 is a right side elevational view of the design shown in FIG. 7.
FIG. 9 is a left side elevational view of the design shown in FIG. 7.
FIG. 10 is a top end elevational view of the design shown in FIG. 7.
FIG. 11 is a top plan view of the design shown in FIG. 7 with the bottom plan view being identical thereto; and,
FIG. 12 is a rear end elevational view of the design shown in FIG. 7.

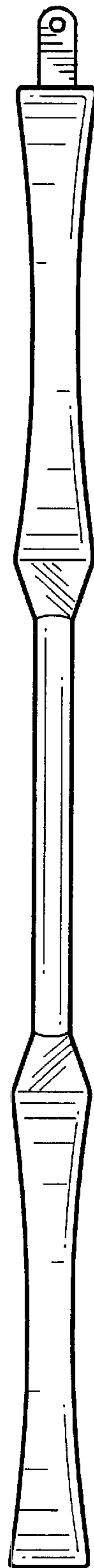
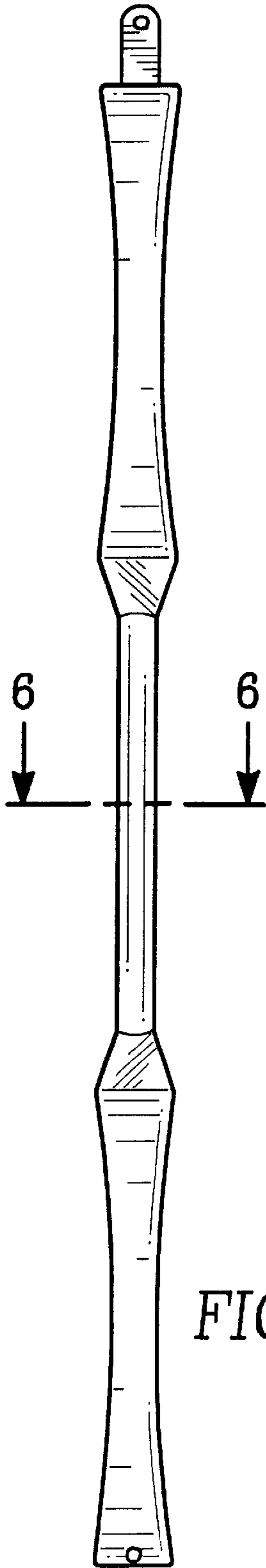
(56) **References Cited**

U.S. PATENT DOCUMENTS

1,893,524 A	1/1933	Shanley	
D118,318 S	12/1939	Fortunati	
3,254,356 A	6/1966	Yao et al.	15/111
3,502,082 A	3/1970	Chatfield	128/304
3,683,924 A	8/1972	Louie	128/304
3,811,447 A	5/1974	Weber	128/304
D242,744 S	* 12/1976	Rendleman et al.	D24/149
D259,209 S	* 5/1981	Gautama	D24/149
4,488,327 A	12/1984	Snider	15/111
4,875,496 A	10/1989	Prabhudass	132/329
5,005,246 A	4/1991	Yen-Hui	15/111
5,061,272 A	10/1991	Reese	606/161
5,282,814 A	2/1994	Srivastava	606/161
5,569,278 A	10/1996	Persad	606/161
D384,744 S	* 10/1997	Sharma	D24/147
5,827,308 A	10/1998	Thakur et al.	606/161
5,845,358 A	12/1998	Woloch	15/111
5,868,769 A	2/1999	Rosenblood et al.	606/161
5,893,860 A	4/1999	Ripich et al.	606/161
5,928,254 A	7/1999	Jensen	606/161
5,980,541 A	11/1999	Tenzer	606/161

1 Claim, 4 Drawing Sheets





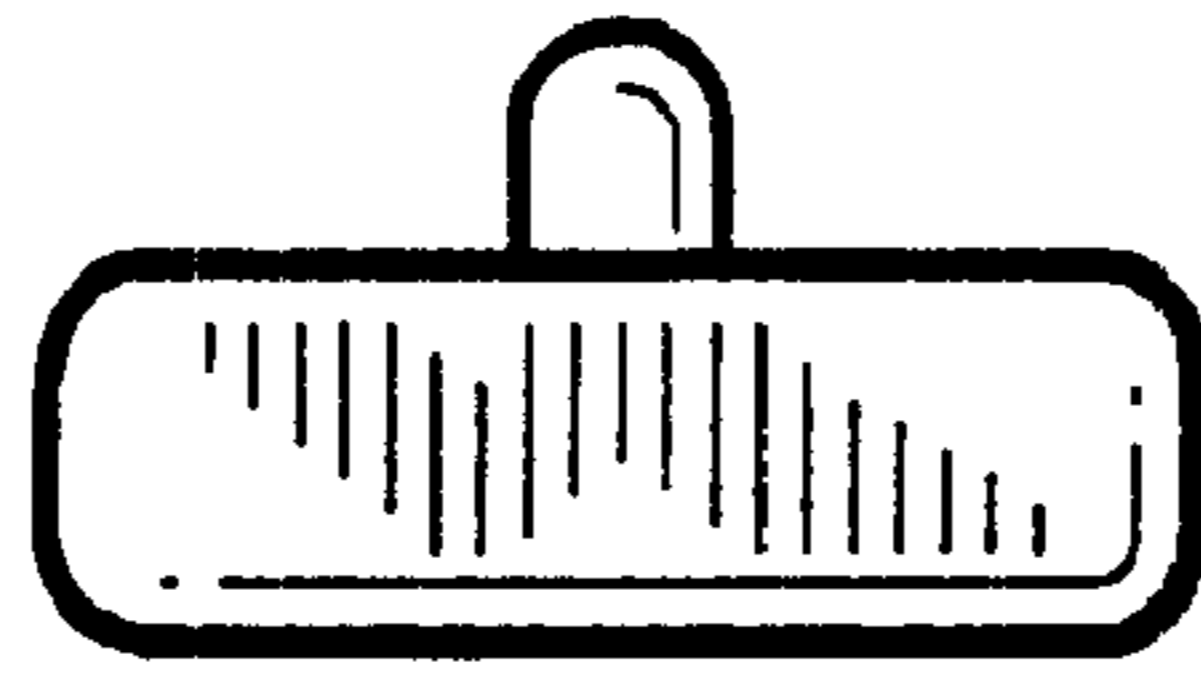


FIG. 4

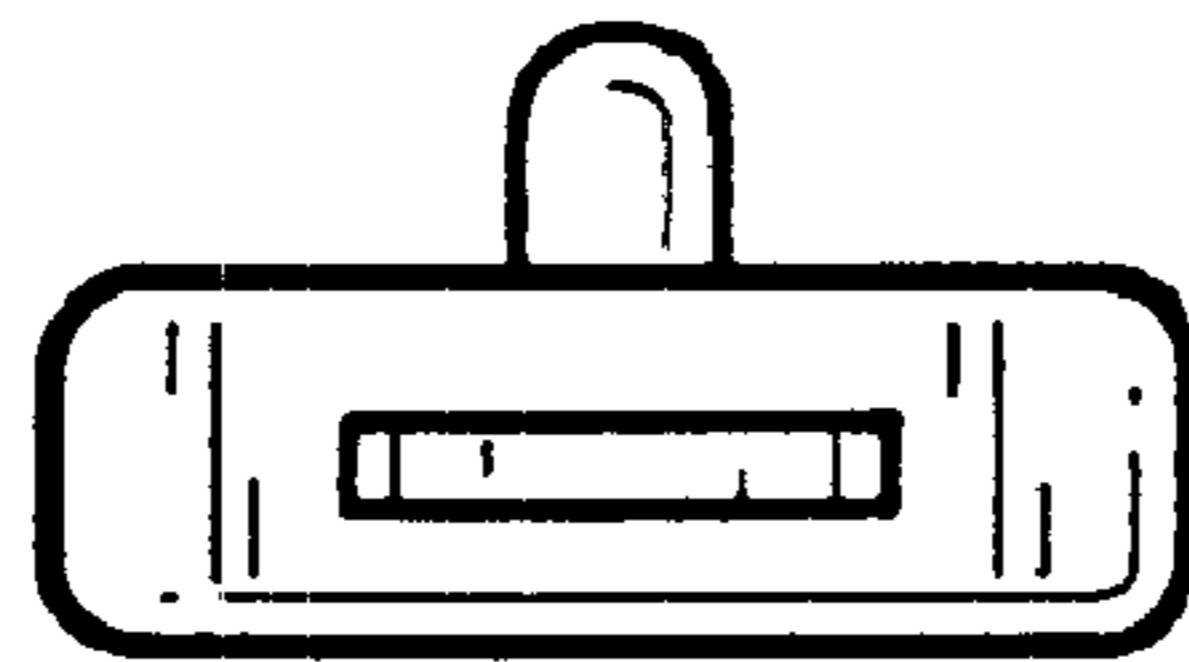


FIG. 5

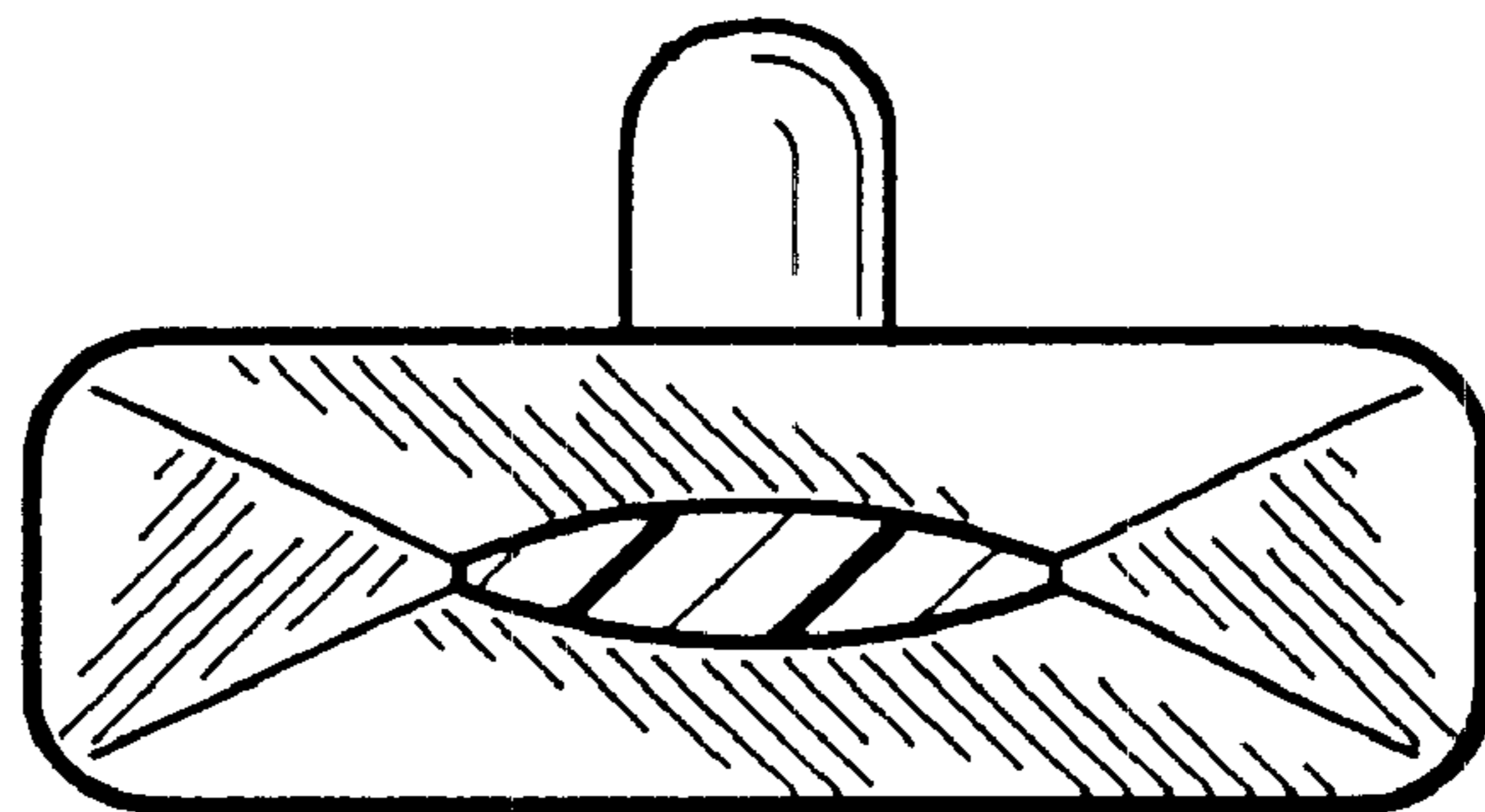


FIG. 6

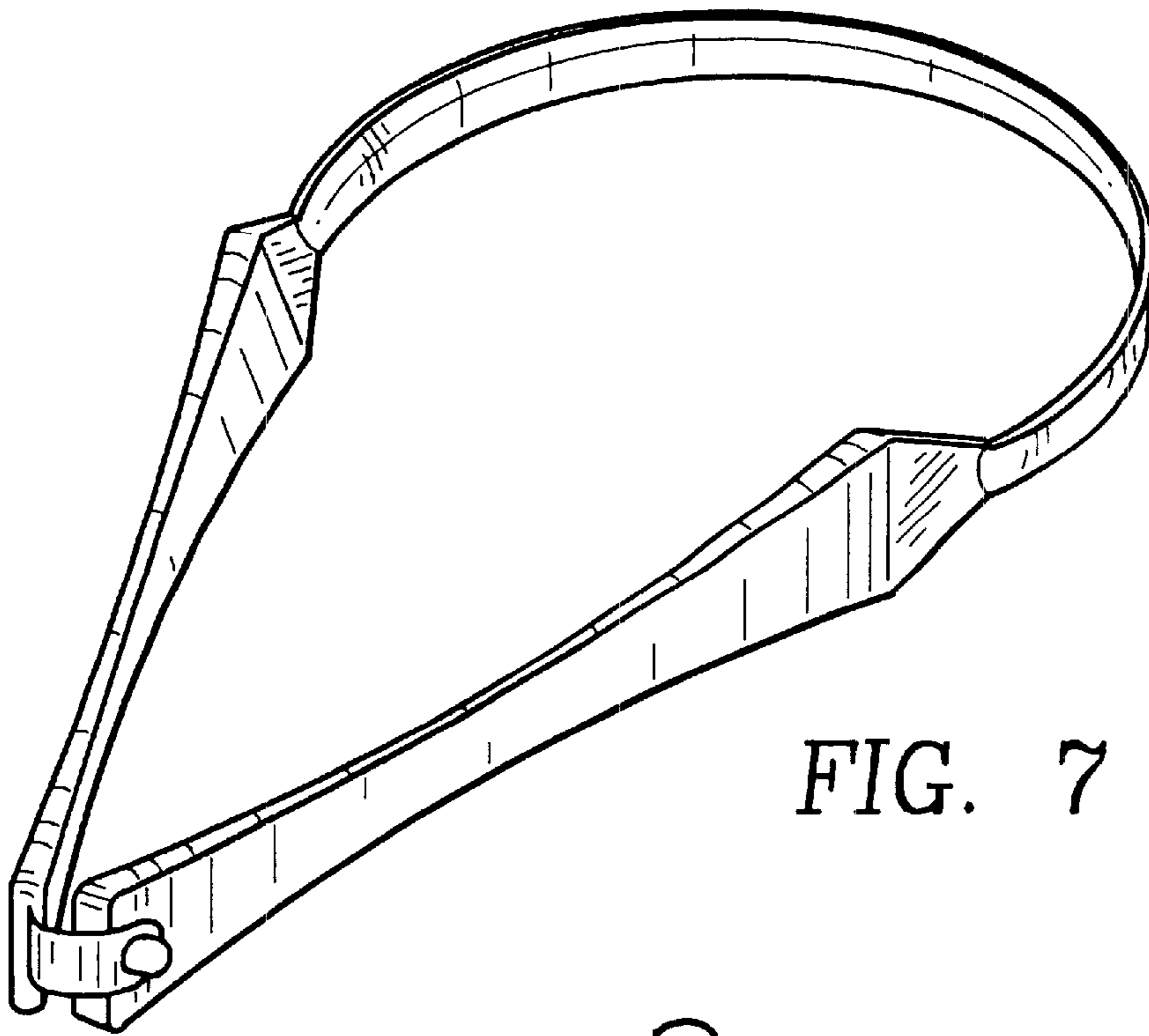


FIG. 7



FIG. 8



FIG. 9

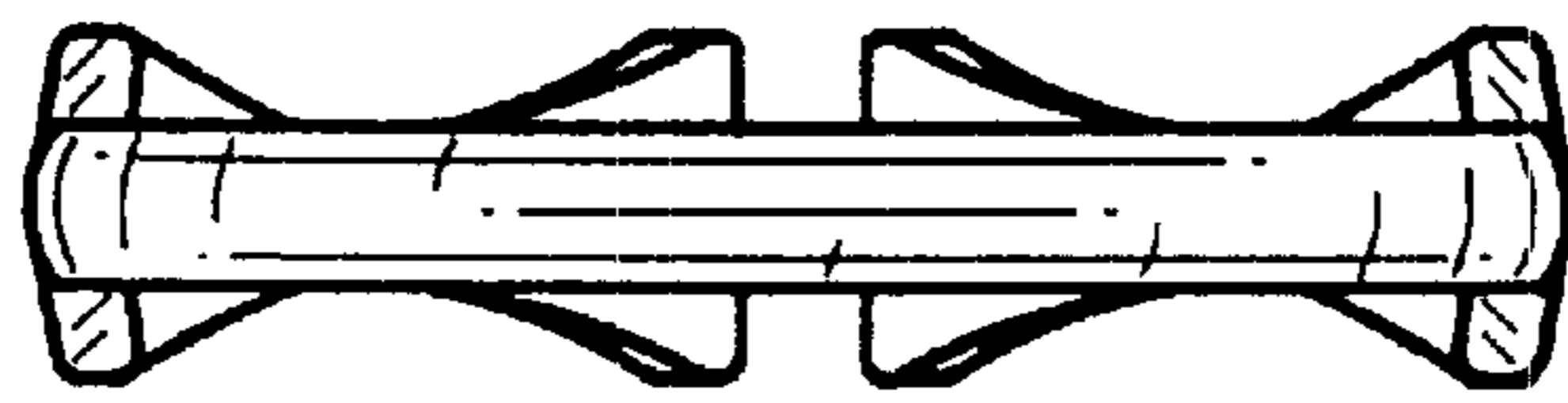


FIG. 10

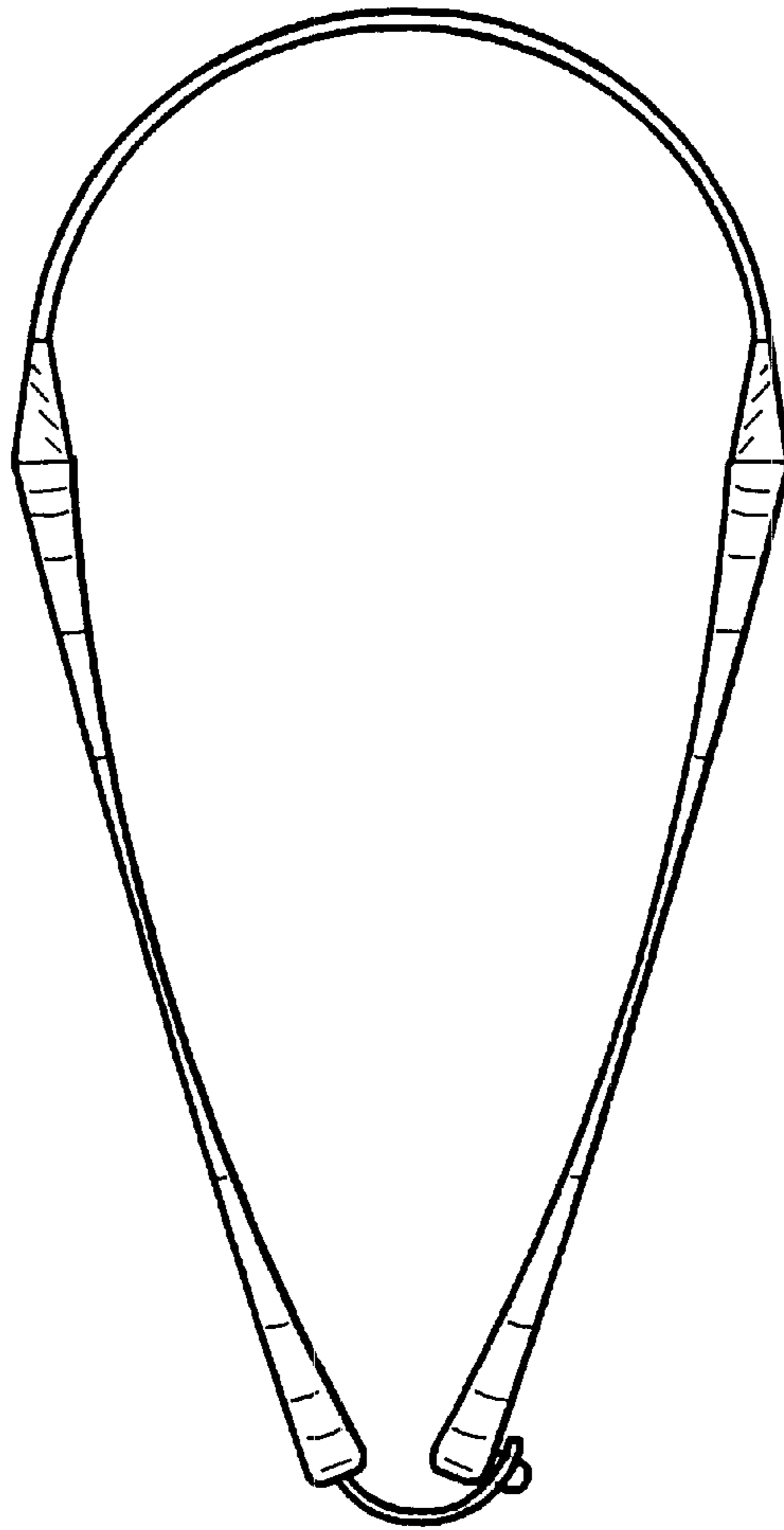


FIG. 11

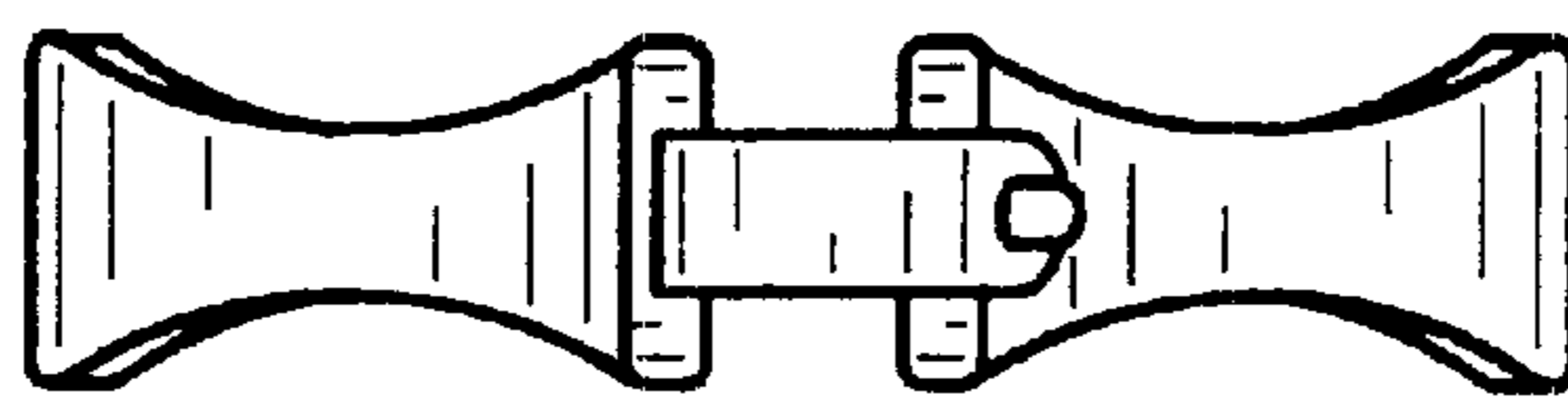


FIG. 12