



US00D466994S

(12) **United States Design Patent**
Yuen

(10) **Patent No.:** **US D466,994 S**

(45) **Date of Patent:** **** Dec. 10, 2002**

(54) **CAR IONIZER**

D418,213 S * 12/1999 Colandro D23/366
D437,038 S * 1/2001 Chuan D23/364

(76) Inventor: **Se Kit Yuen**, 6/F, Yau Lee Centre, 45
Hoi Yuen Road, Kwun Tong, Kowloon
(HK)

* cited by examiner

(**) Term: **14 Years**

Primary Examiner—Lisa Lichtenstein
(74) *Attorney, Agent, or Firm*—Raymond Y. Chan; David
and Raymond Patent Group

(21) Appl. No.: **29/157,080**

(22) Filed: **Mar. 13, 2002**

(57) **CLAIM**

The ornamental design for a car ionizer, as shown.

(30) **Foreign Application Priority Data**

Oct. 23, 2001 (GB) 2105776

DESCRIPTION

(51) **LOC (7) Cl.** **23-04**

(52) **U.S. Cl.** **D23/364**

(58) **Field of Search** D23/364; 96/97,
96/96, 224, 16; 361/231

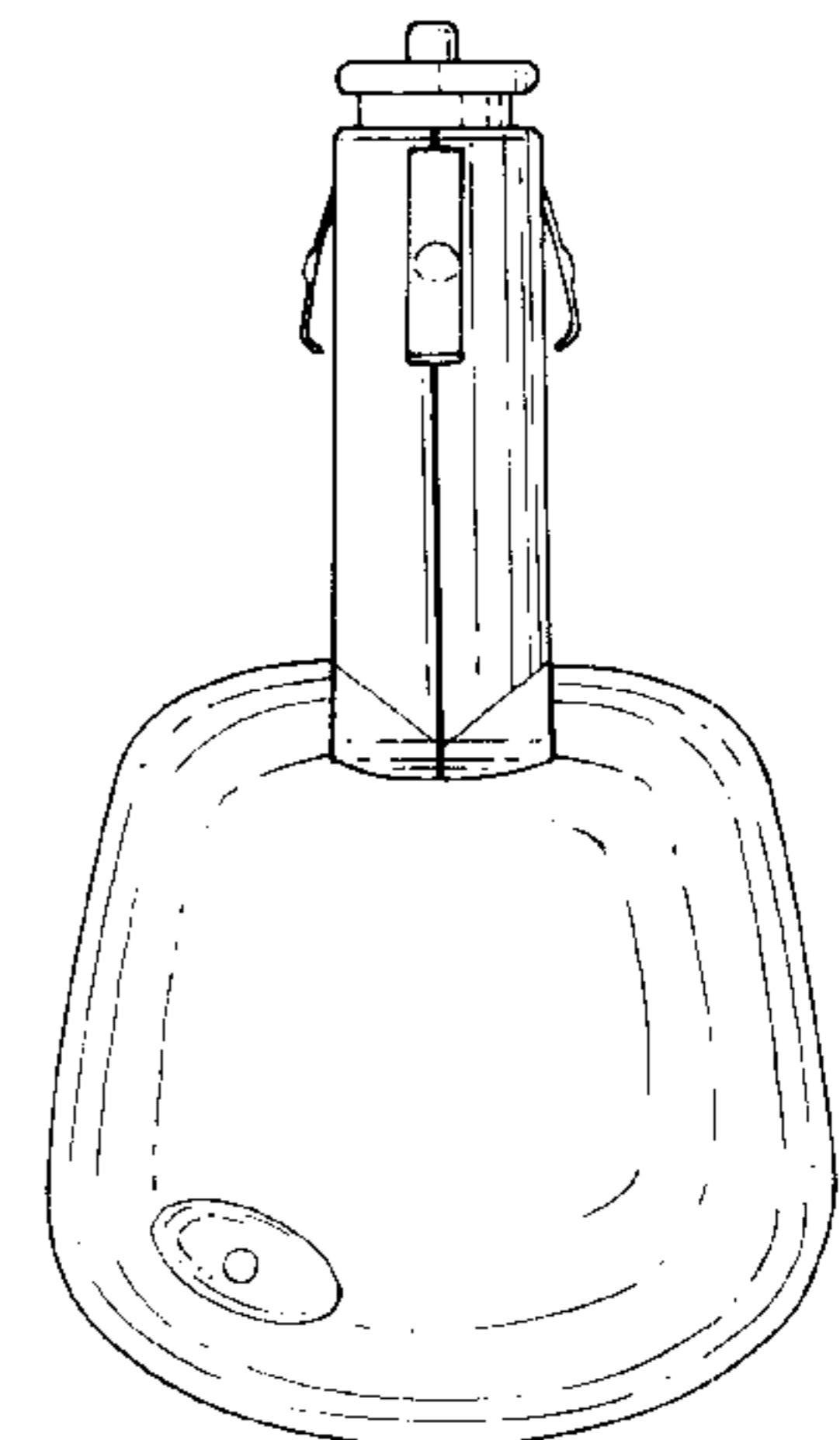
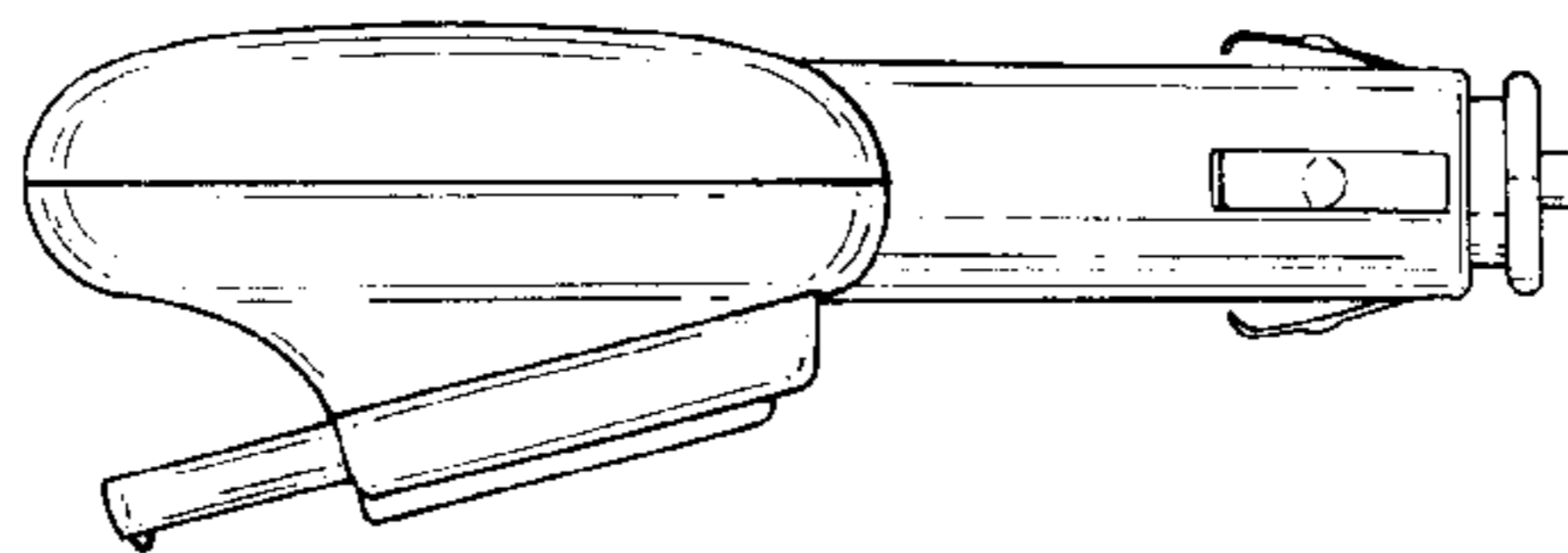
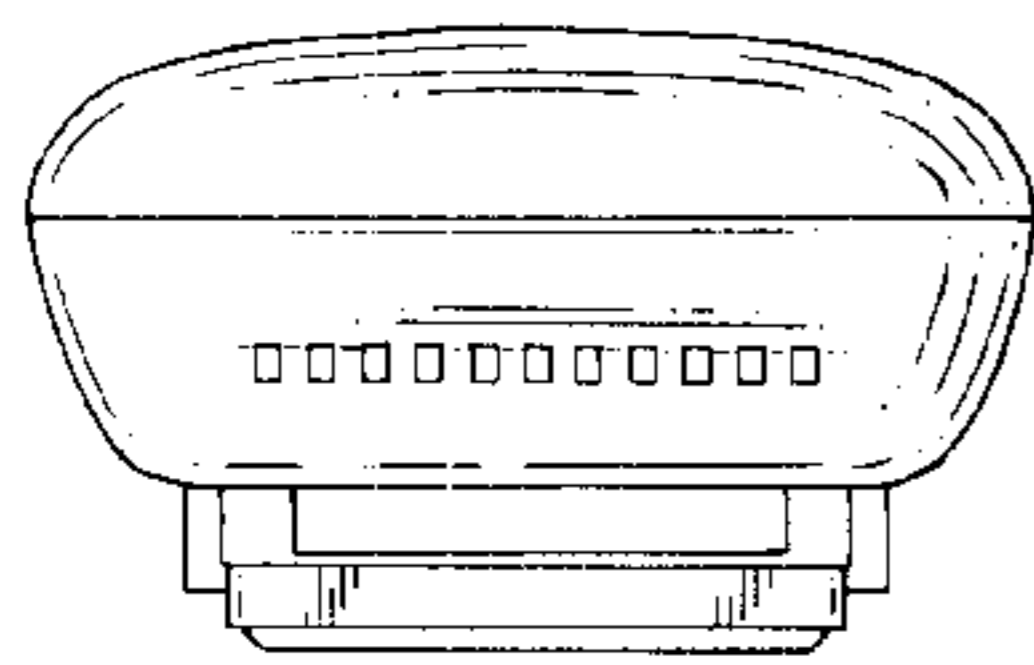
FIG. 1 is a front view thereof.
FIG. 2 is a rear view thereof.
FIG. 3 is a right end view thereof.
FIG. 4 is a left end view thereof.
FIG. 5 is a top view thereof; and,
FIG. 6 is a bottom view thereof.

(56) **References Cited**

U.S. PATENT DOCUMENTS

D307,318 S * 4/1990 Hilger et al. D23/364

1 Claim, 6 Drawing Sheets



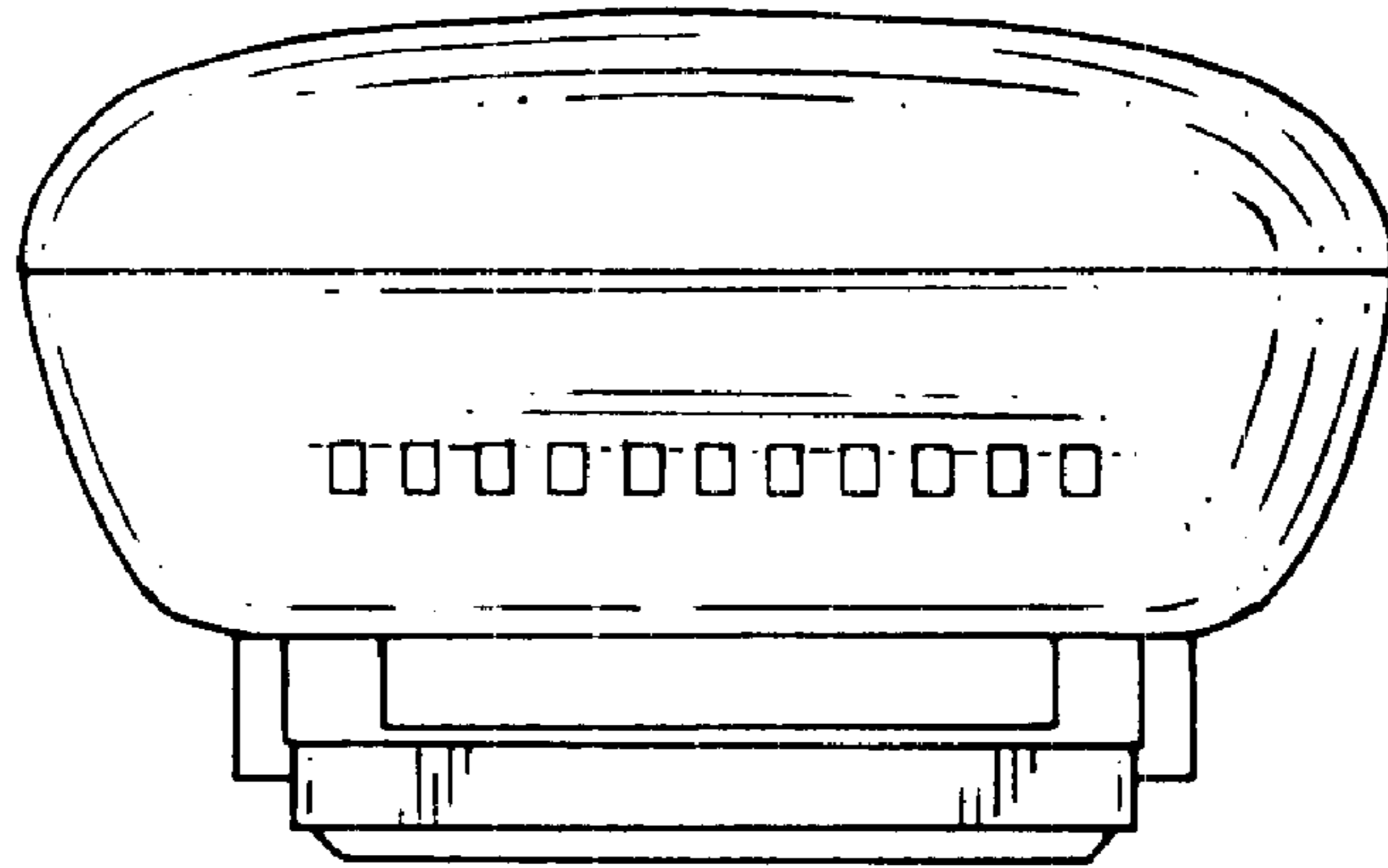


FIG. 1

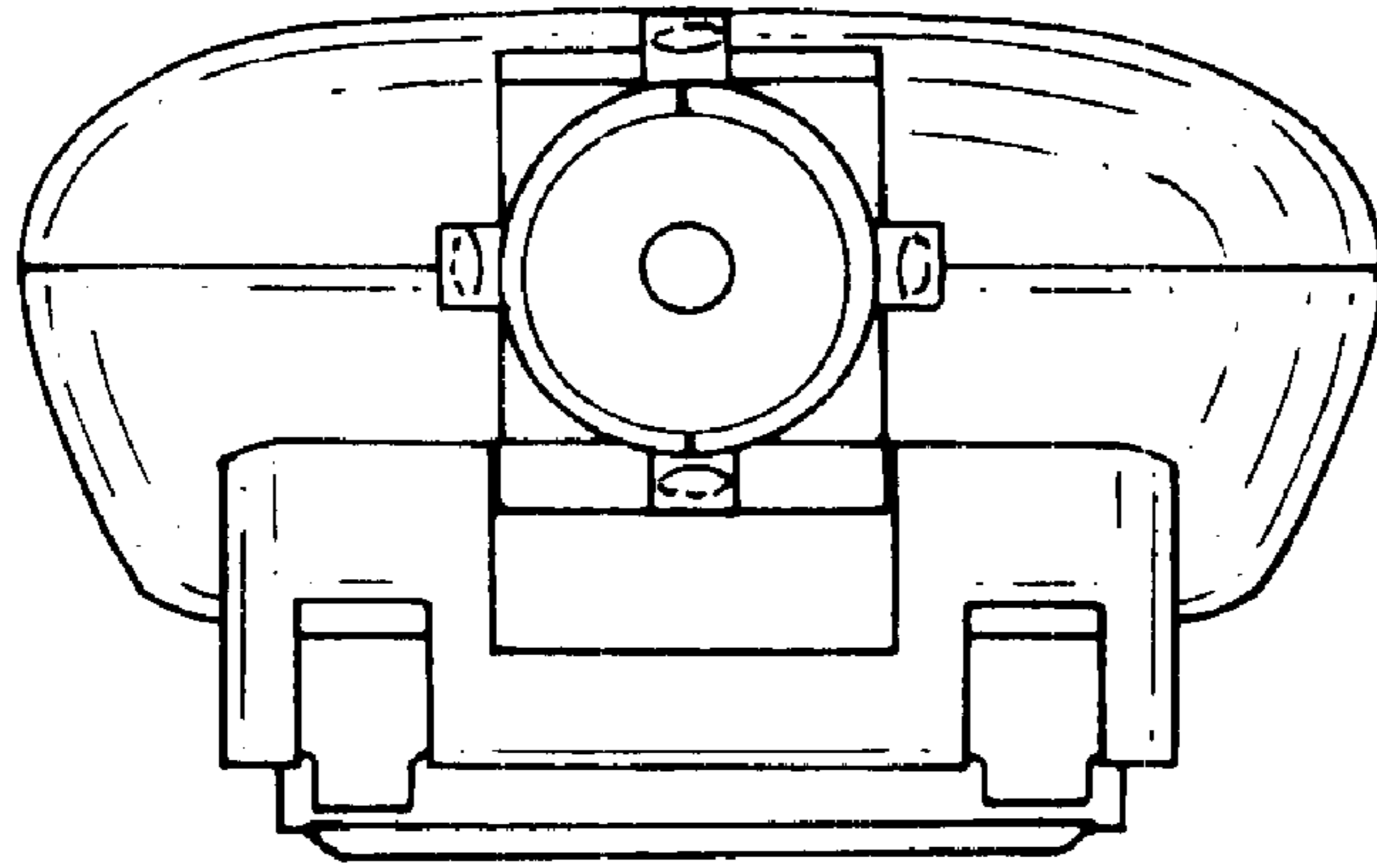


FIG. 2

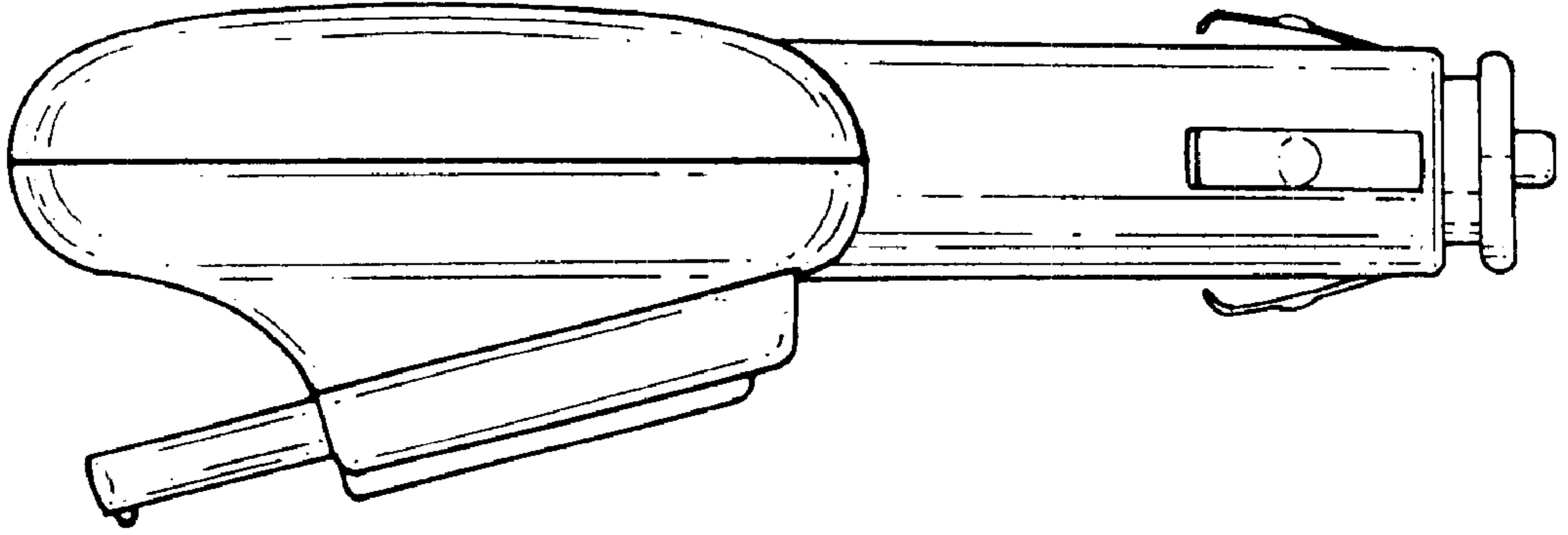


FIG. 3

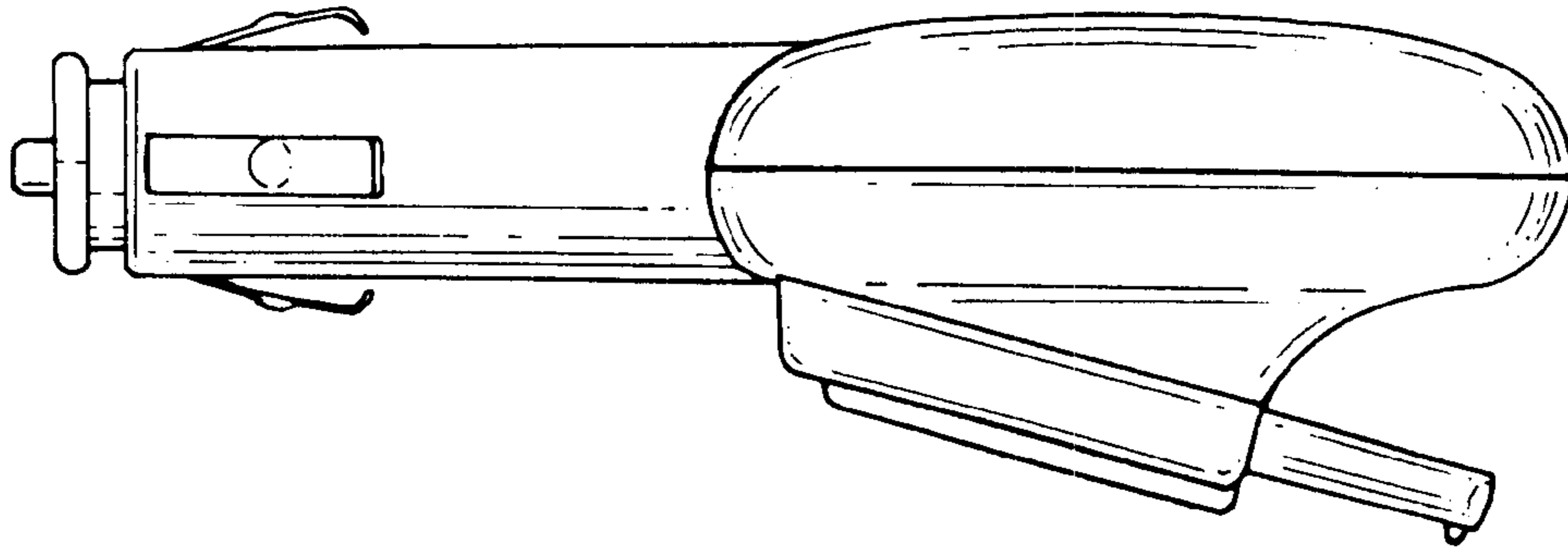


FIG. 4

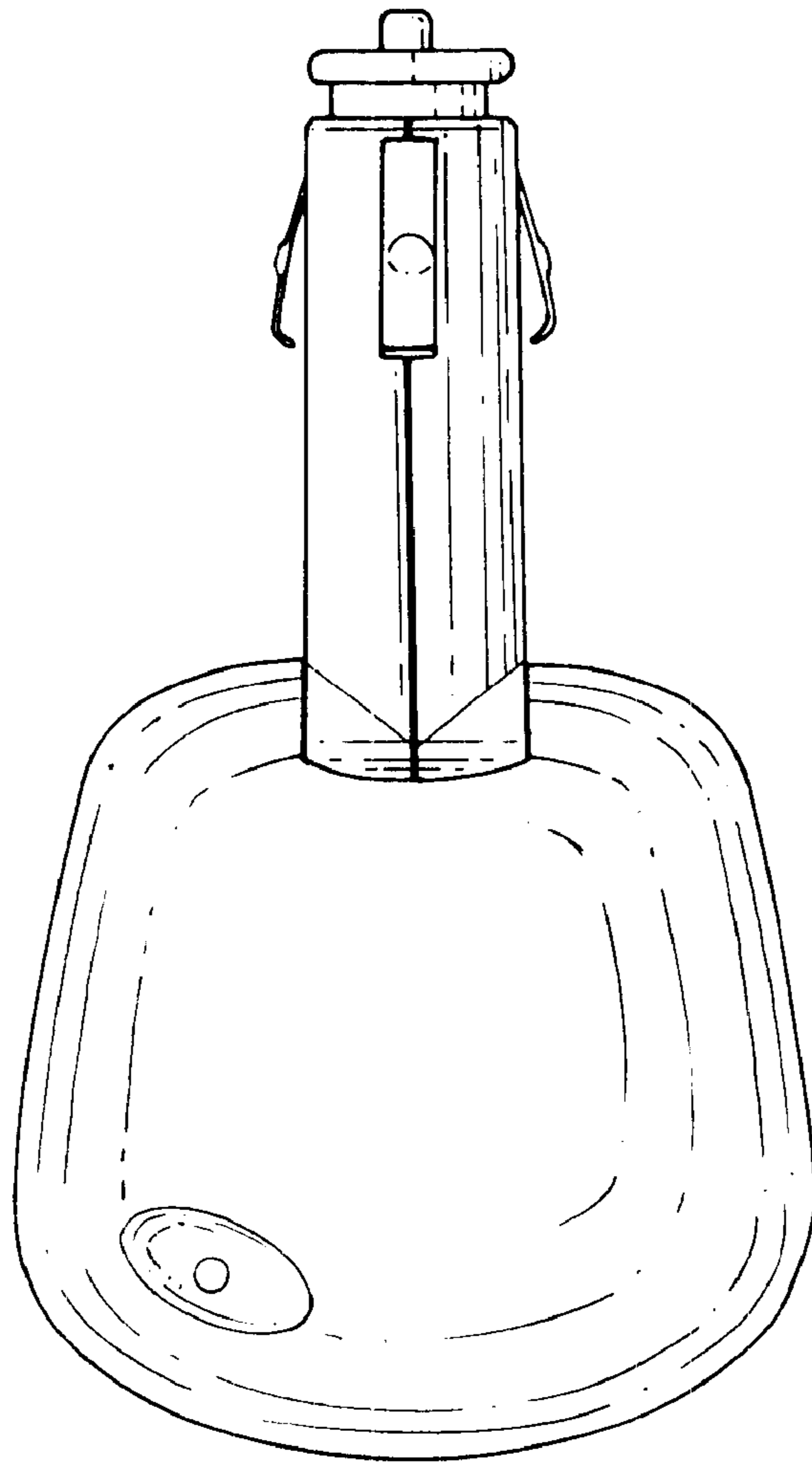


FIG. 5

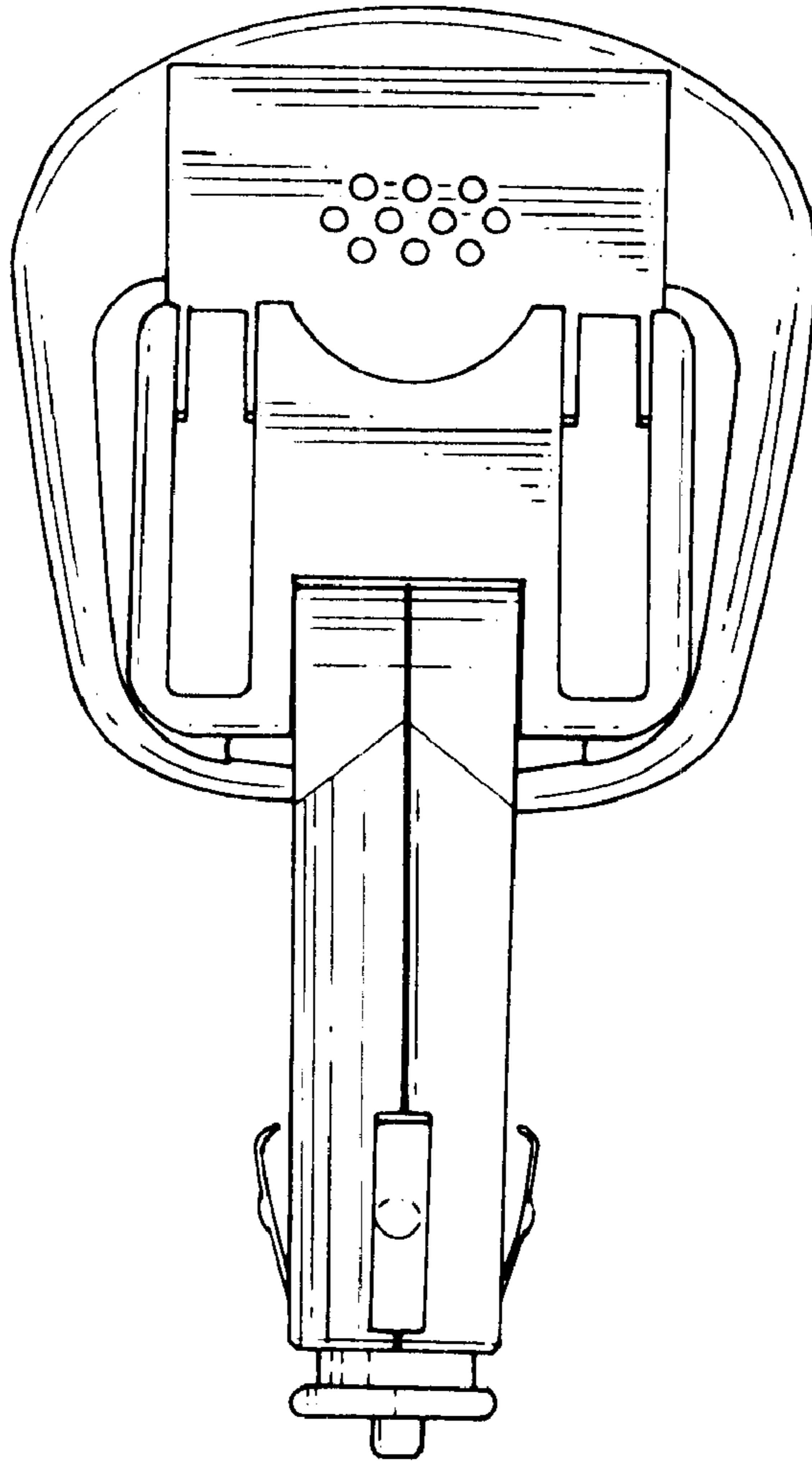


FIG. 6