



US00D466990S

(12) **United States Design Patent**
Wang

(10) **Patent No.:** **US D466,990 S**

(45) **Date of Patent:** **** Dec. 10, 2002**

(54) **HANDLE OF FAUCET**

(75) Inventor: **Leanne Wang**, Taichung (TW)

(73) Assignee: **TWI International Taiwan, Inc.** (TW)

(**) Term: **14 Years**

(21) Appl. No.: **29/153,366**

(22) Filed: **Dec. 31, 2001**

(51) **LOC (7) Cl.** **23-01**

(52) **U.S. Cl.** **D23/252**

(58) **Field of Search** D23/238-243,
D23/250-257, 233; D8/300-308; 16/110 R,
118, 121, 125; 4/675-678; 137/801

(56) **References Cited**

U.S. PATENT DOCUMENTS

D105,160 S	*	6/1937	Zinki	D23/252
D194,228 S	*	12/1962	Shames	D23/252
D238,928 S	*	2/1976	Kipp	D23/252
D411,870 S	*	7/1999	Humber	D23/233

* cited by examiner

Primary Examiner—Louis S. Zarfes

Assistant Examiner—Gregory Andoll

(74) *Attorney, Agent, or Firm*—Charles E. Baxley

(57) **CLAIM**

The ornamental design for a handle of faucet, as shown and described.

DESCRIPTION

FIG. 1 is a perspective view of a handle of faucet showing my new design;

FIG. 2 is a front, the rear elevational view being a mirror image thereof;

FIG. 3 is a left side elevational view thereof;

FIG. 4 is a right side elevational view thereof;

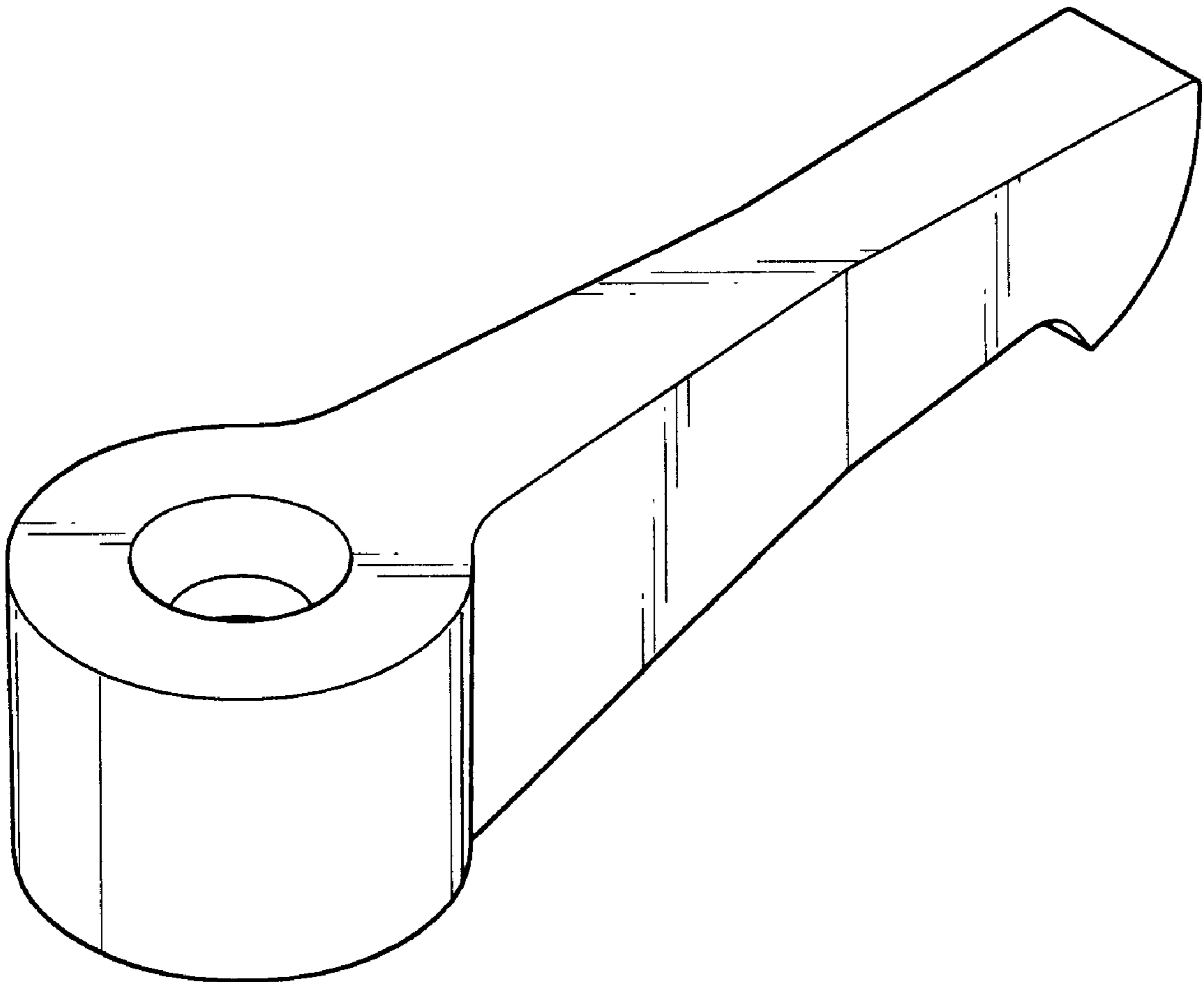
FIG. 5 is a top plan view thereof; and

FIG. 6 is a bottom plan view thereof; and,

FIG. 7 is a perspective view of a faucet.

The broken lines in FIG. 7 are for illustrative purposes only and form no part of the claimed design.

1 Claim, 5 Drawing Sheets



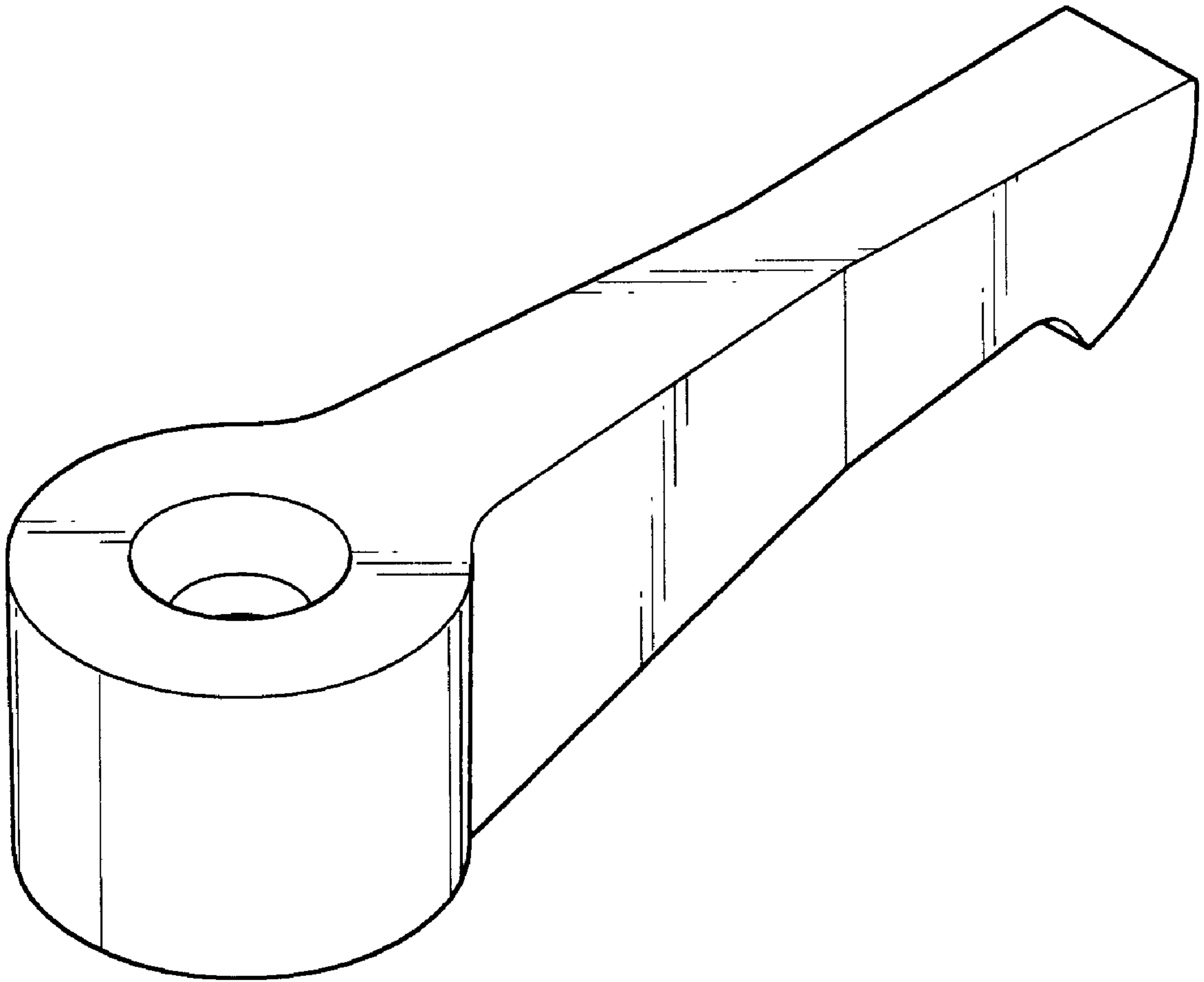


FIG. 1

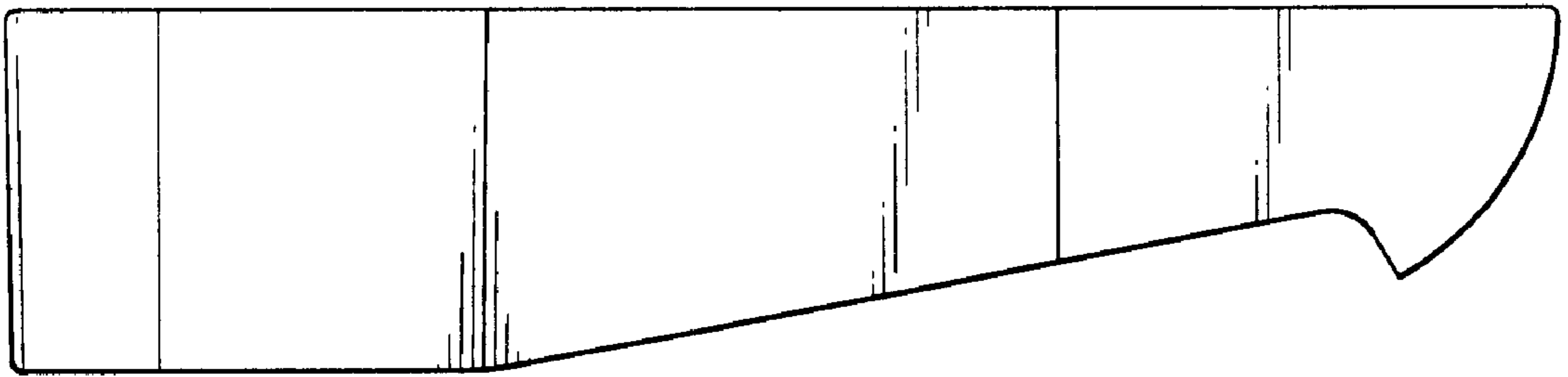


FIG. 2

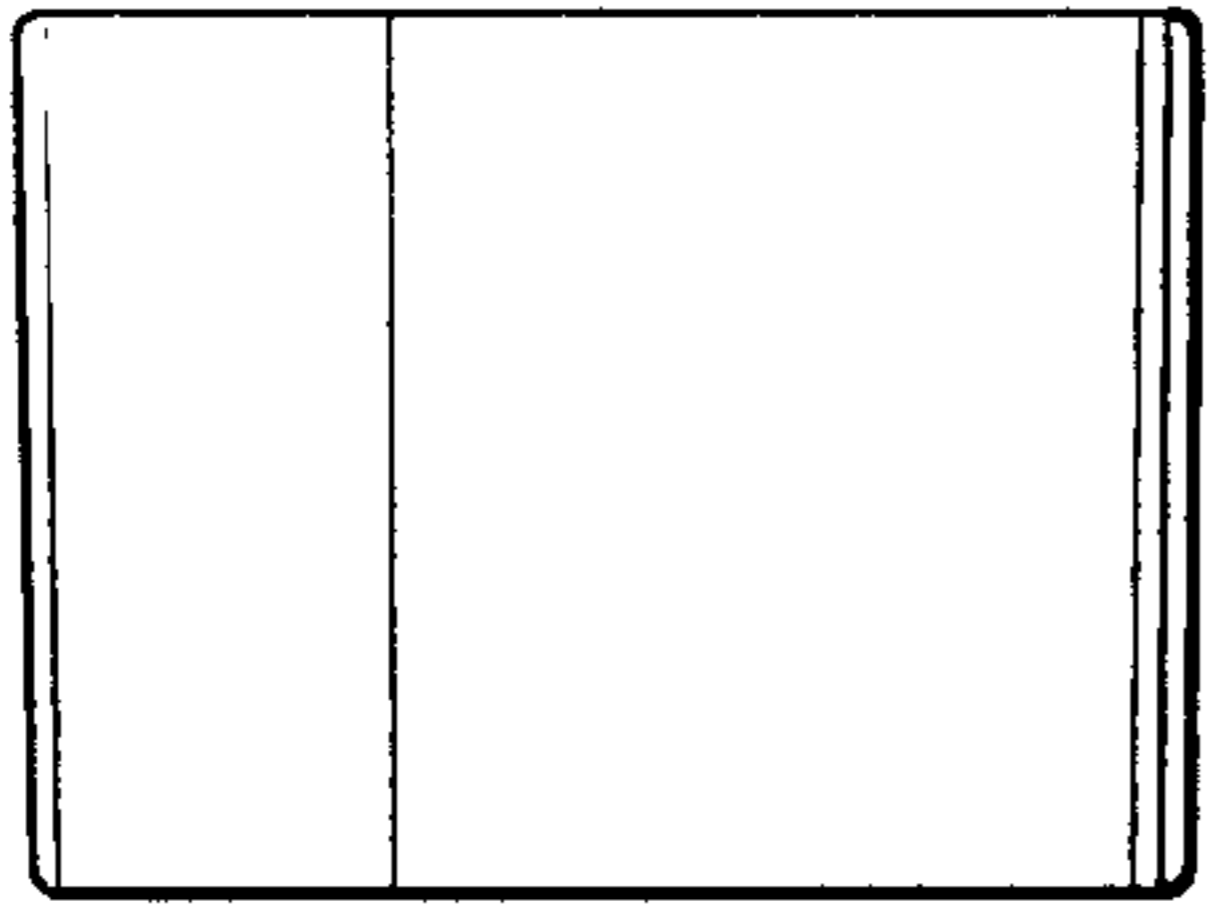


FIG. 3

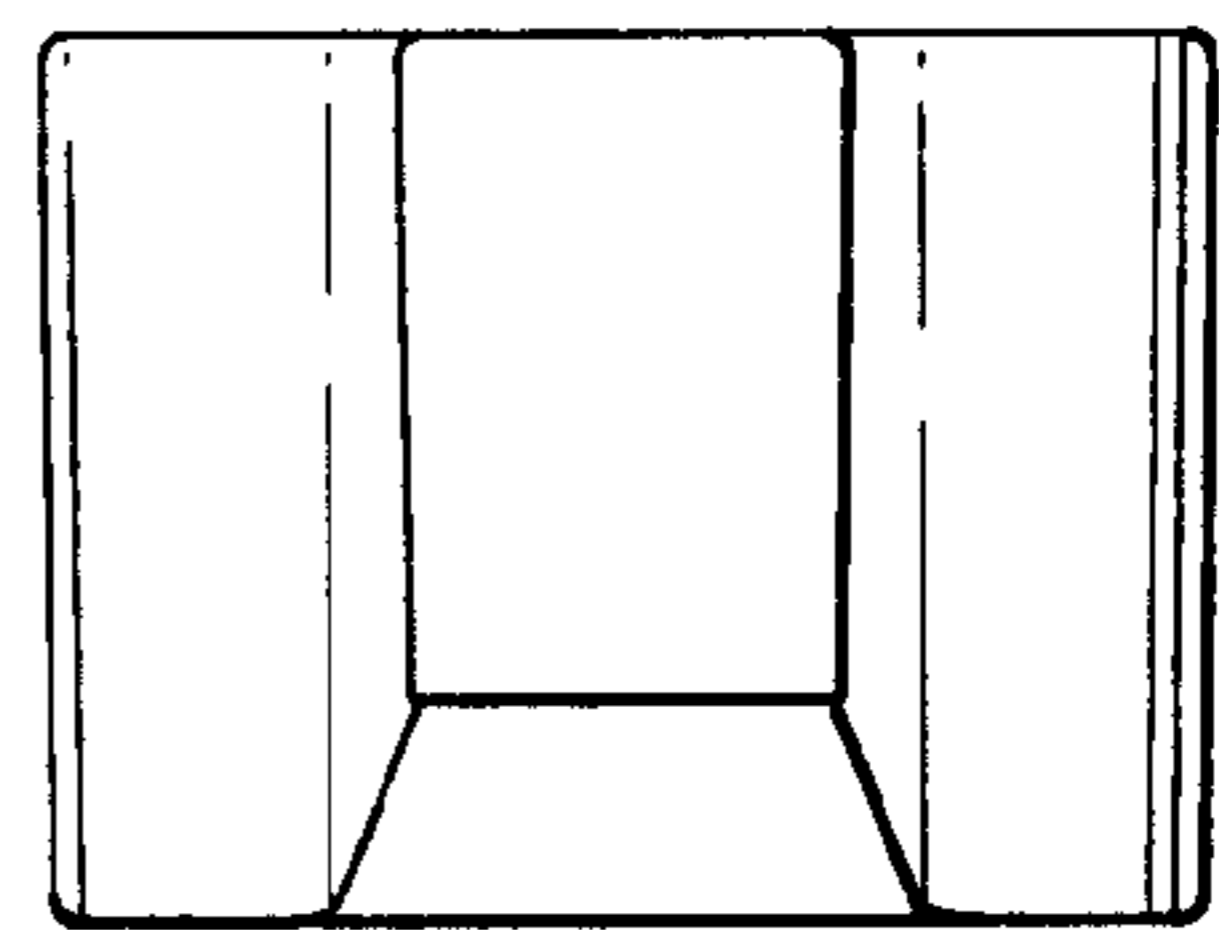


FIG. 4

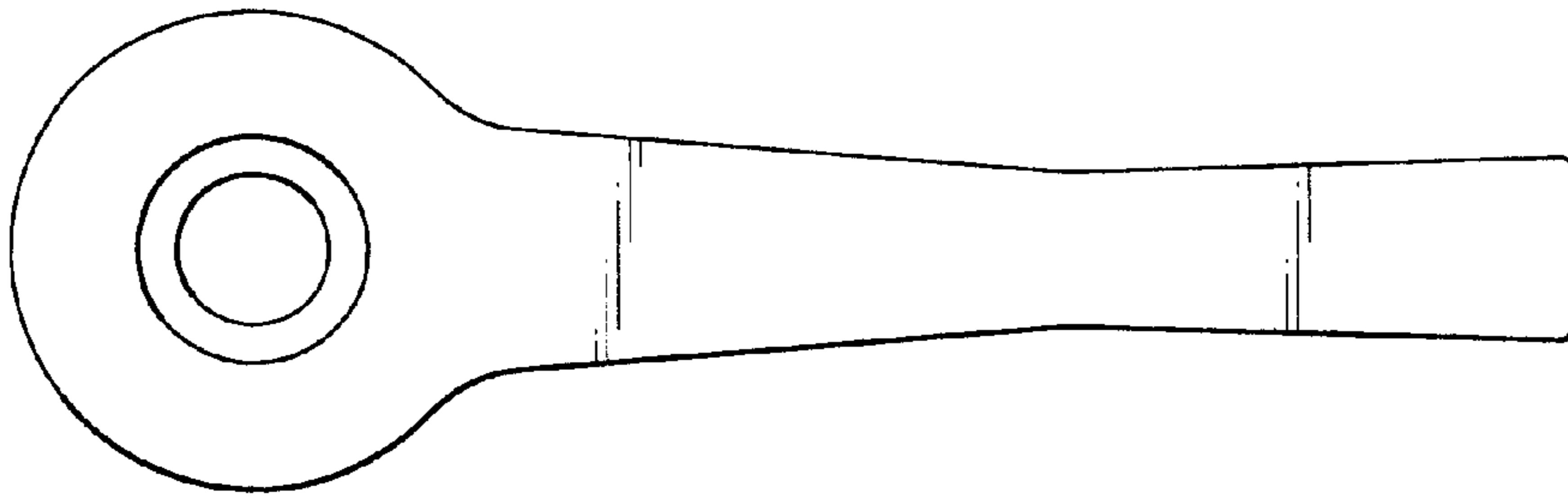


FIG. 5

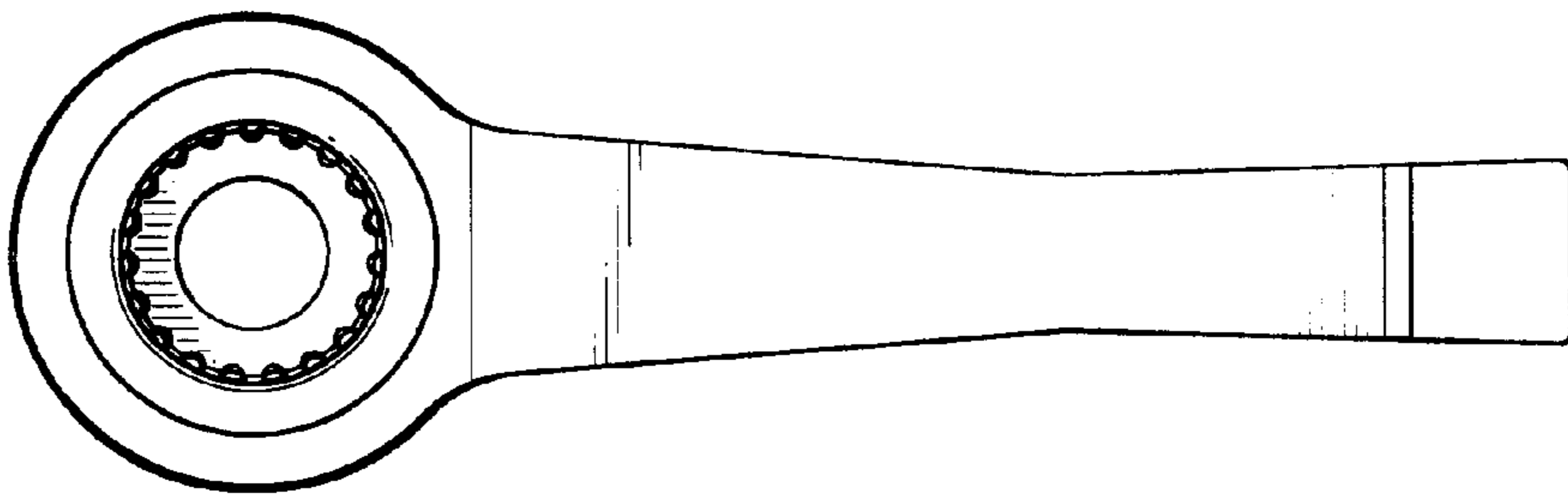


FIG. 6

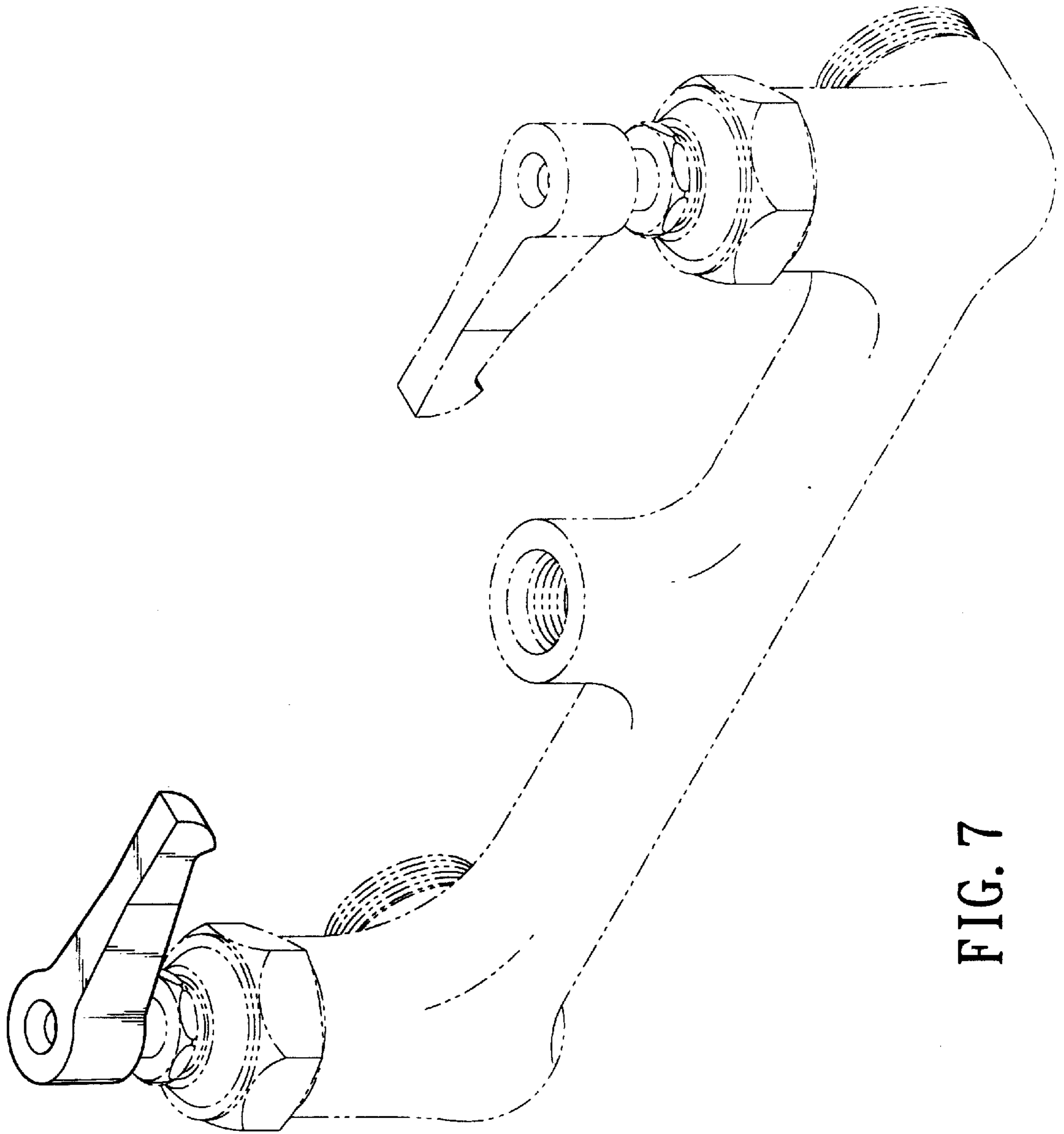


FIG. 7