



US00D466988S

(12) **United States Design Patent**  
**Marshall**

(10) **Patent No.:** **US D466,988 S**

(45) **Date of Patent:** **\*\* Dec. 10, 2002**

(54) **TAP HANDLE**

(75) Inventor: **Bryan Marshall**, Balmain (AU)

(73) Assignee: **Dorf Clark Industries Limited**,  
Brisbane (AU)

(\*\*) Term: **14 Years**

(21) Appl. No.: **29/152,908**

(22) Filed: **Oct. 26, 2001**

(30) **Foreign Application Priority Data**

Apr. 26, 2001 (AU) ..... 1369/2001

(51) **LOC (7) Cl.** ..... **23-01**

(52) **U.S. Cl.** ..... **D23/250; D23/252**

(58) **Field of Search** ..... D23/238-243,  
D23/250-257; 4/675-678; 137/562, 801;  
D8/300-310, 350, 354; 16/110 R, 121

(56) **References Cited**

**U.S. PATENT DOCUMENTS**

D68,228 S \* 9/1925 Wolff ..... D23/252  
D77,355 S \* 1/1929 Fraser ..... D23/250  
D86,672 S \* 4/1932 Ferguson ..... D23/250

D87,511 S \* 8/1932 Duncan ..... D23/252  
D114,200 S \* 4/1939 Seldon ..... D23/239  
D117,172 S \* 10/1939 Fraser ..... D23/252  
D143,100 S \* 12/1945 Stanitz ..... D23/250  
3,717,173 A \* 2/1973 Nyberg et al. .... 137/562

\* cited by examiner

*Primary Examiner*—Louis S. Zarfes

*Assistant Examiner*—Gregory Andoll

(74) *Attorney, Agent, or Firm*—David P. Gordon; David S. Jacobson; Thomas A. Gallagher

(57) **CLAIM**

The ornamental design for a tap handle, as shown and described.

**DESCRIPTION**

FIG. 1 is a perspective view of a tap handle, showing my new design;

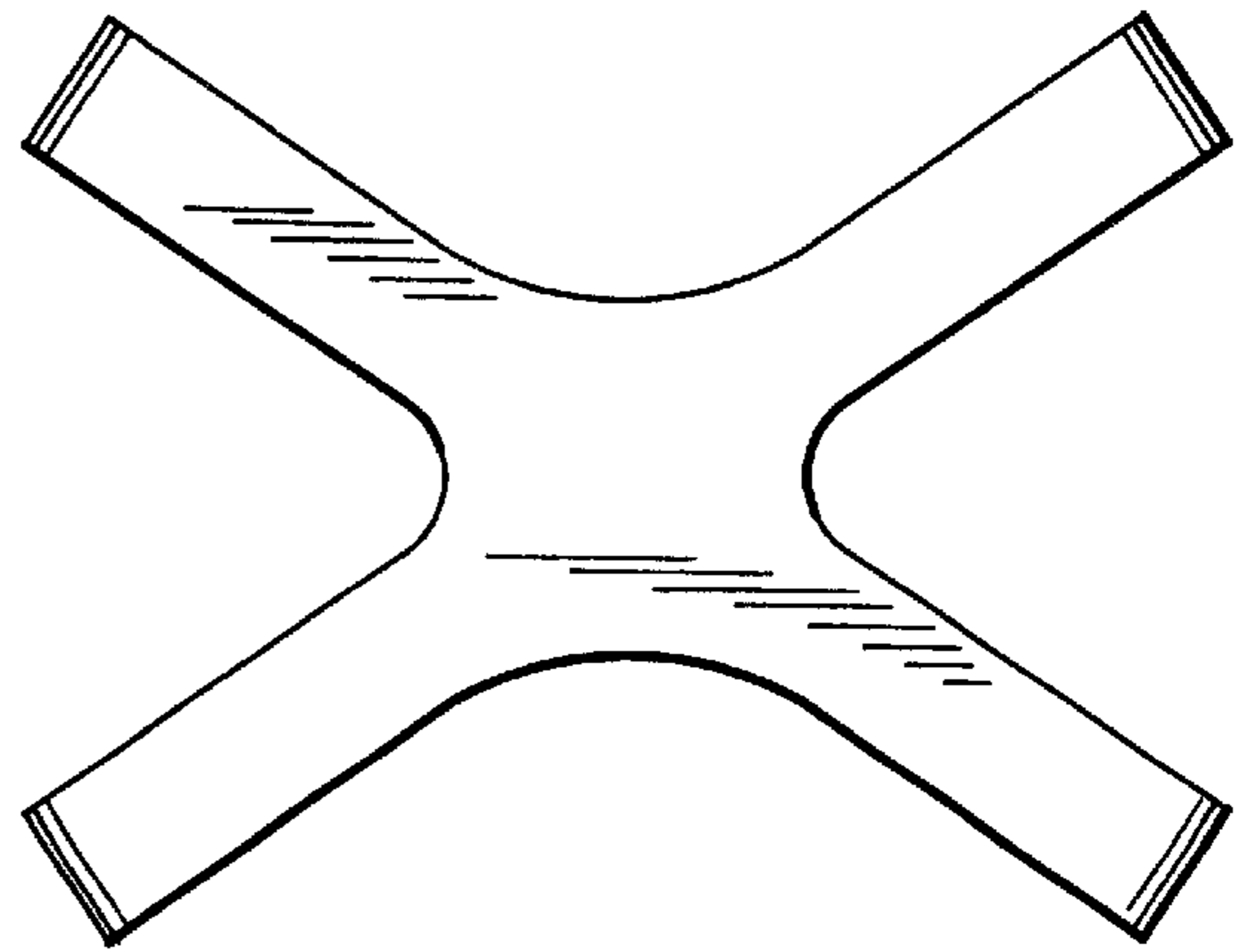
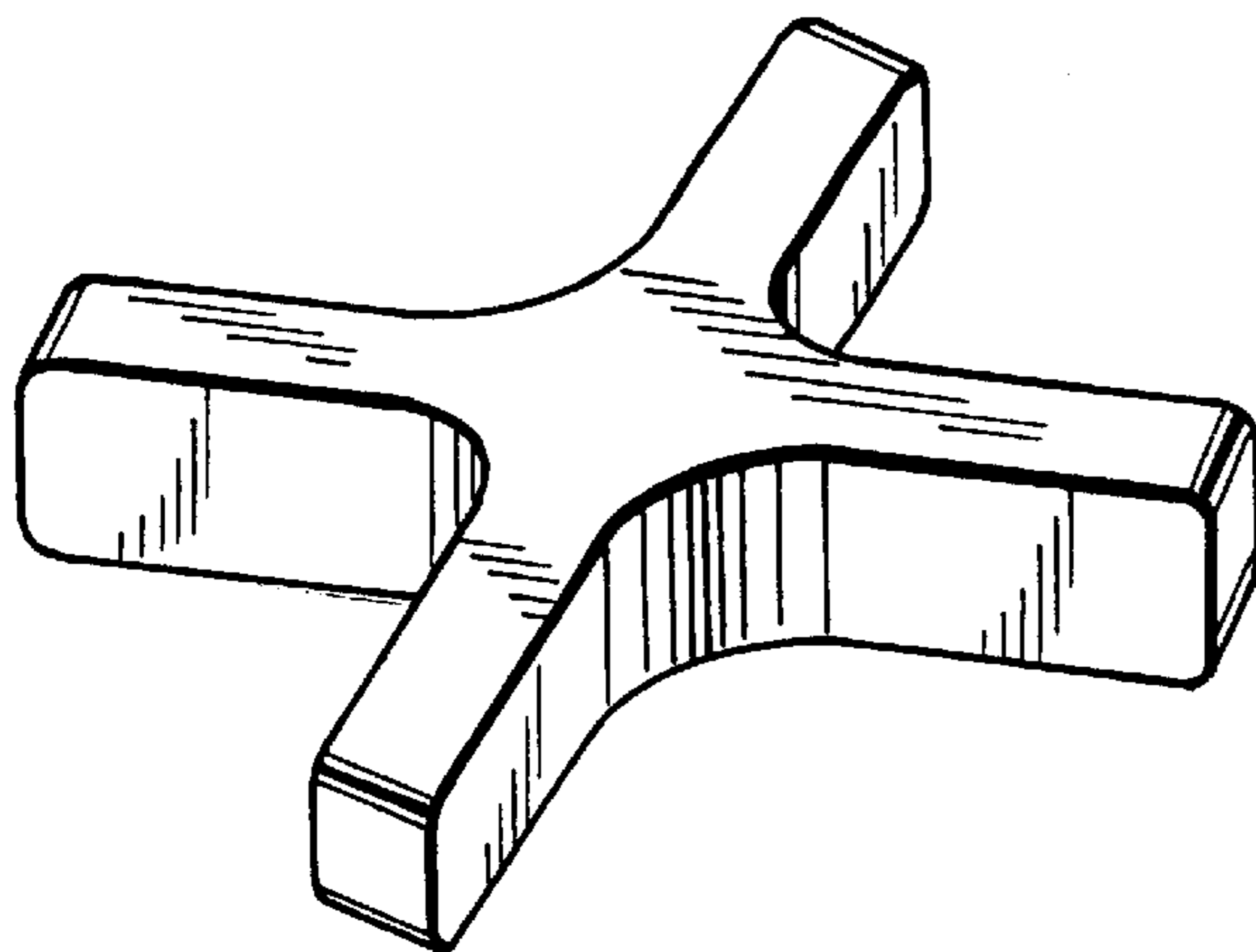
FIG. 2 is a top plan view thereof;

FIG. 3 is a front side elevational view thereof, the back side being a mirror image; and,

FIG. 4 is a bottom plan view thereof.

The broken lines in FIG. 4 are for illustrative purposes only and form no part of the claimed design.

**1 Claim, 2 Drawing Sheets**



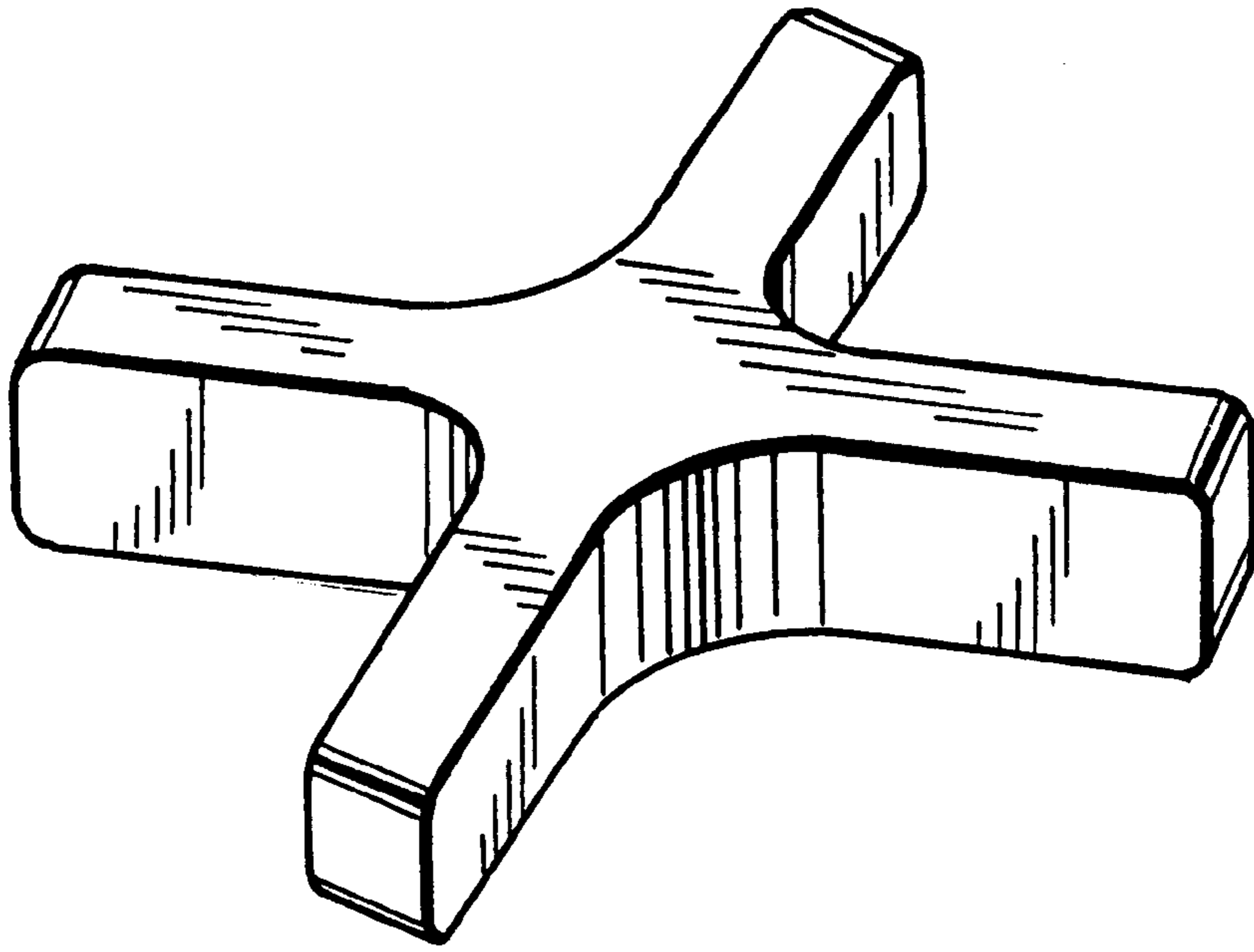


FIG. 1

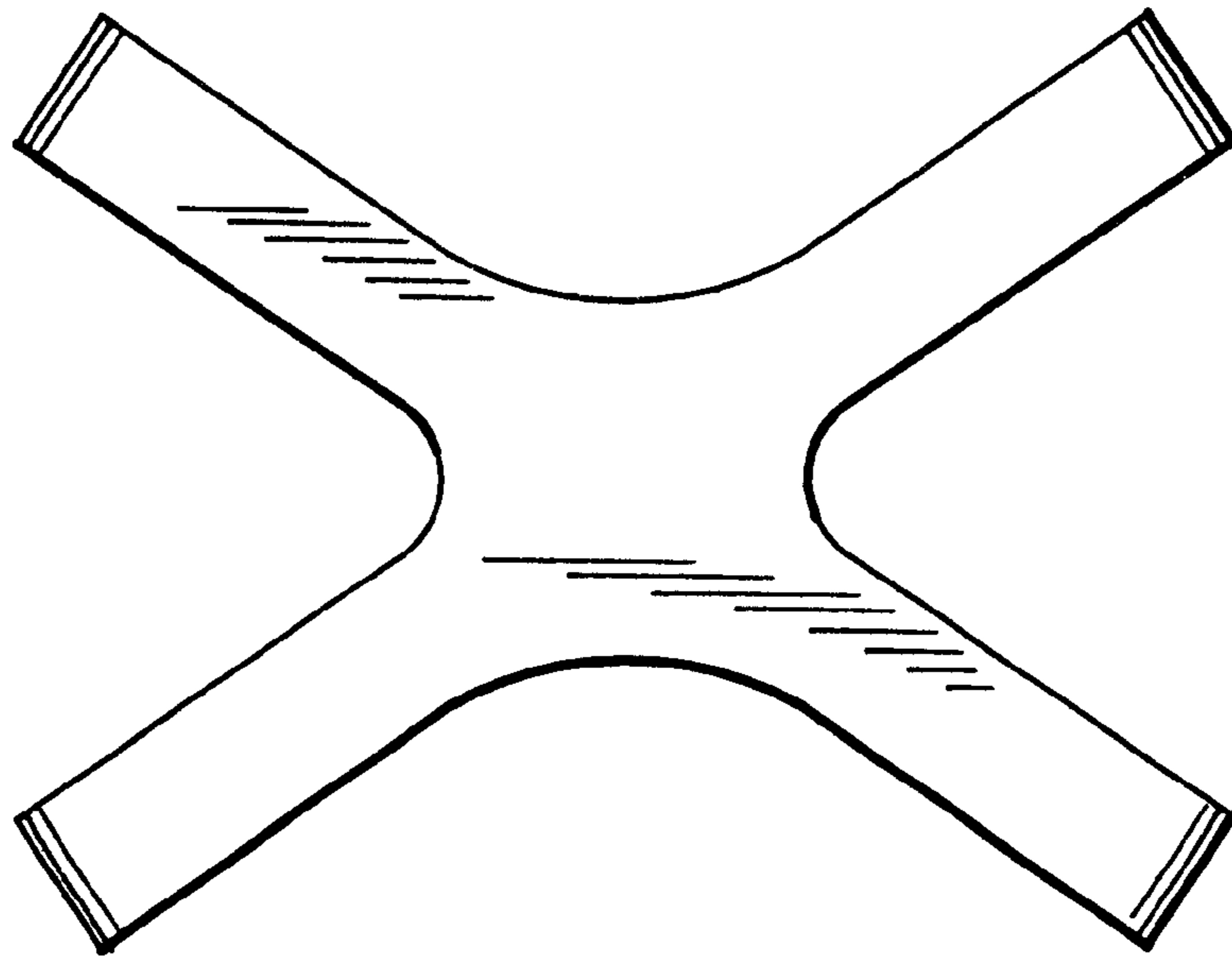


FIG. 2

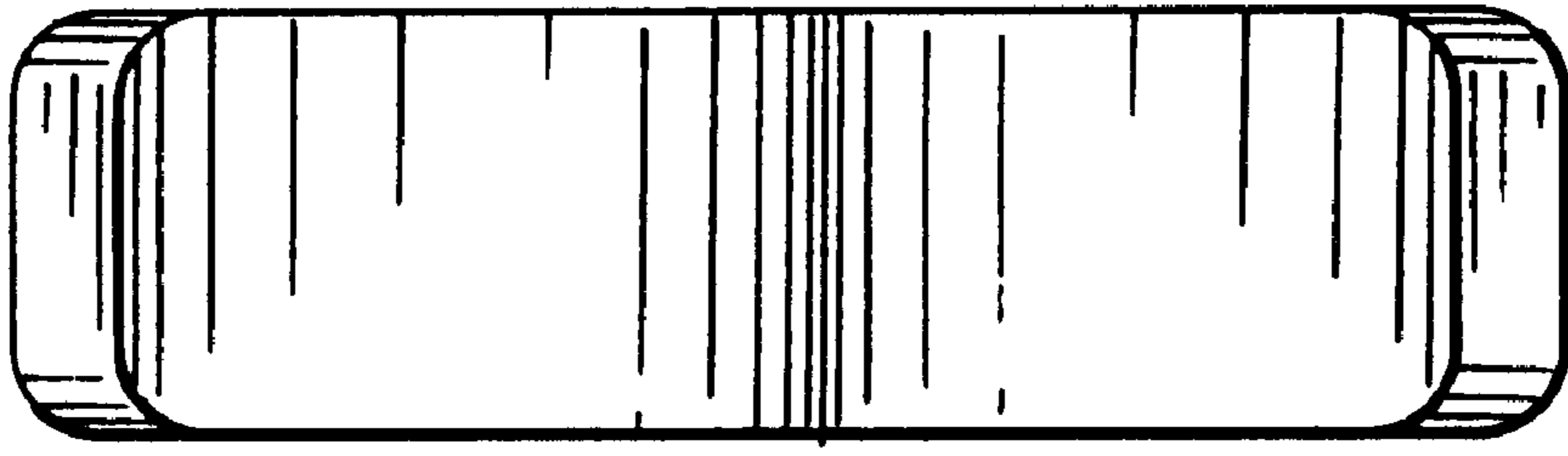


FIG. 3

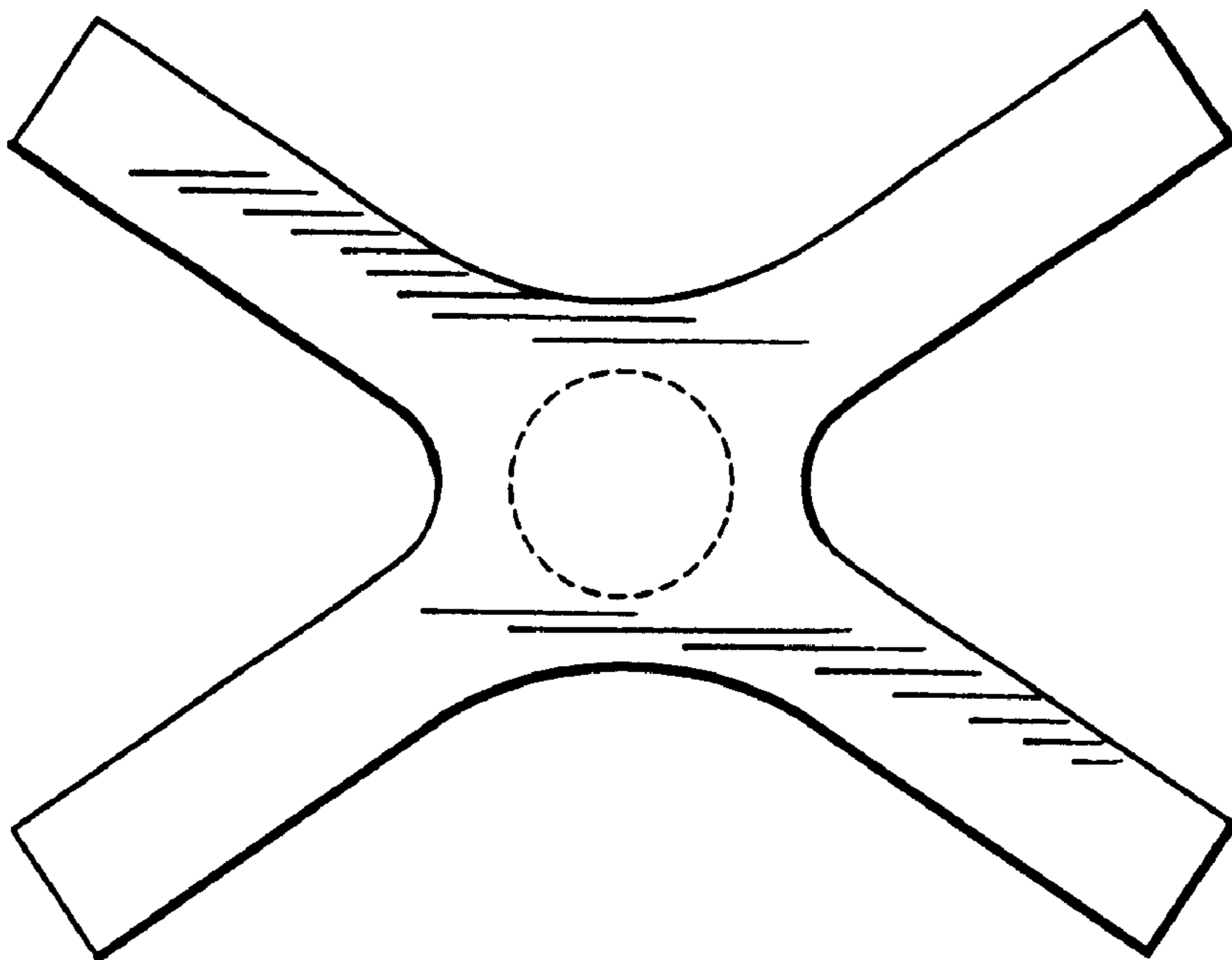


FIG. 4