



US00D466986S

(12) **United States Design Patent**  
**Singtoroj et al.**

(10) **Patent No.:** **US D466,986 S**

(45) **Date of Patent:** **\*\* Dec. 10, 2002**

(54) **HANDLE HUB**

(75) Inventors: **Yos Singtoroj**, Anaheim, CA (US);  
**Aaron E. Hanna**, Redlands, CA (US);  
**Jason D. Veltz**, Dana Point, CA (US)

(73) Assignee: **Emhart LLC**, Newark, DE (US)

(\*\*) Term: **14 Years**

(21) Appl. No.: **29/153,032**

(22) Filed: **Dec. 20, 2001**

(51) **LOC (7) Cl.** ..... **23-01**

(52) **U.S. Cl.** ..... **D23/249; D23/258**

(58) **Field of Search** ..... **D23/238-243,**  
**D23/250-257, 249; D8/300-308; D6/550;**  
**16/110 R, 118, 121, 125; 4/675-678; 137/801**

(56) **References Cited**

**U.S. PATENT DOCUMENTS**

2,096,602 A	10/1937	Weingarten	
D126,074 S	3/1941	Judell et al.	
D163,236 S	5/1951	Young	
3,084,349 A	4/1963	Sundblad et al.	
D290,388 S	6/1987	Yost	
4,678,002 A	7/1987	Valley	
D337,014 S	* 7/1993	Wang	..... D6/550
D405,162 S	2/1999	Doughty et al.	
D405,509 S	2/1999	Doughty et al.	
D407,143 S	3/1999	Hyde et al.	

D407,466 S	3/1999	Hundley et al.	
D429,521 S	8/2000	Doughty et al.	
D433,735 S	* 11/2000	Lord	..... D23/252
D434,118 S	11/2000	Lord	

\* cited by examiner

*Primary Examiner*—Louis S. Zarfes

*Assistant Examiner*—Gregory Andoll

(74) *Attorney, Agent, or Firm*—Richard J. Veltman; John D. Del Ponti

(57) **CLAIM**

The ornamental design for a handle hub, as shown.

**DESCRIPTION**

FIG. 1 is a perspective view of the new design for a handle hub;

FIG. 2 is a right elevational view of the new design for a handle hub, the left elevational view being a mirror image;

FIG. 3 is a top plan view of the new design for a handle hub;

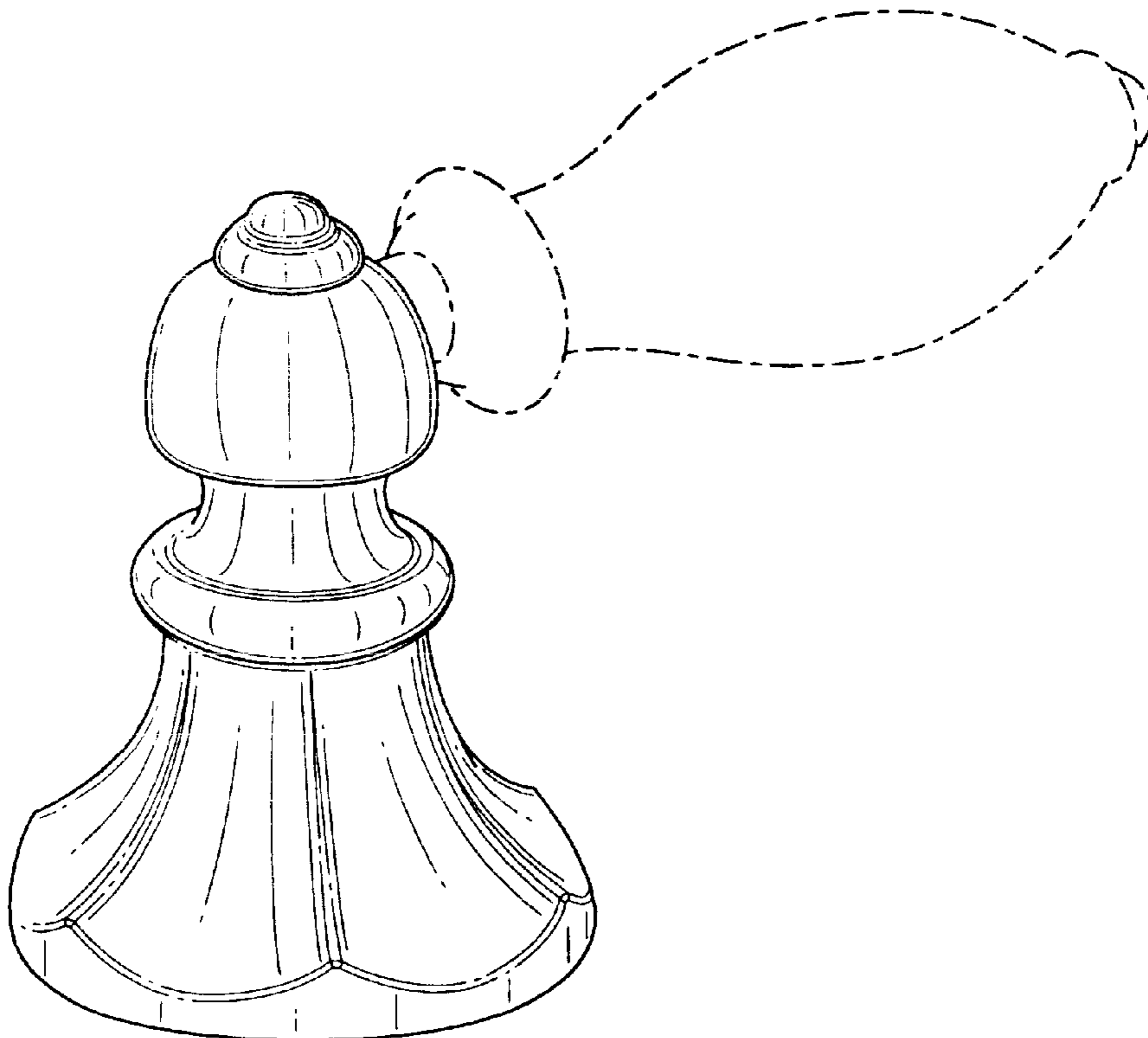
FIG. 4 is a bottom plan view of the new design for a handle hub;

FIG. 5 is a front elevational view of the new design for a handle hub; and,

FIG. 6 is a rear elevational view of the new design for a handle hub.

The broken lines in the Figures are for illustrative purposes only and form no part of the claimed design.

**1 Claim, 5 Drawing Sheets**



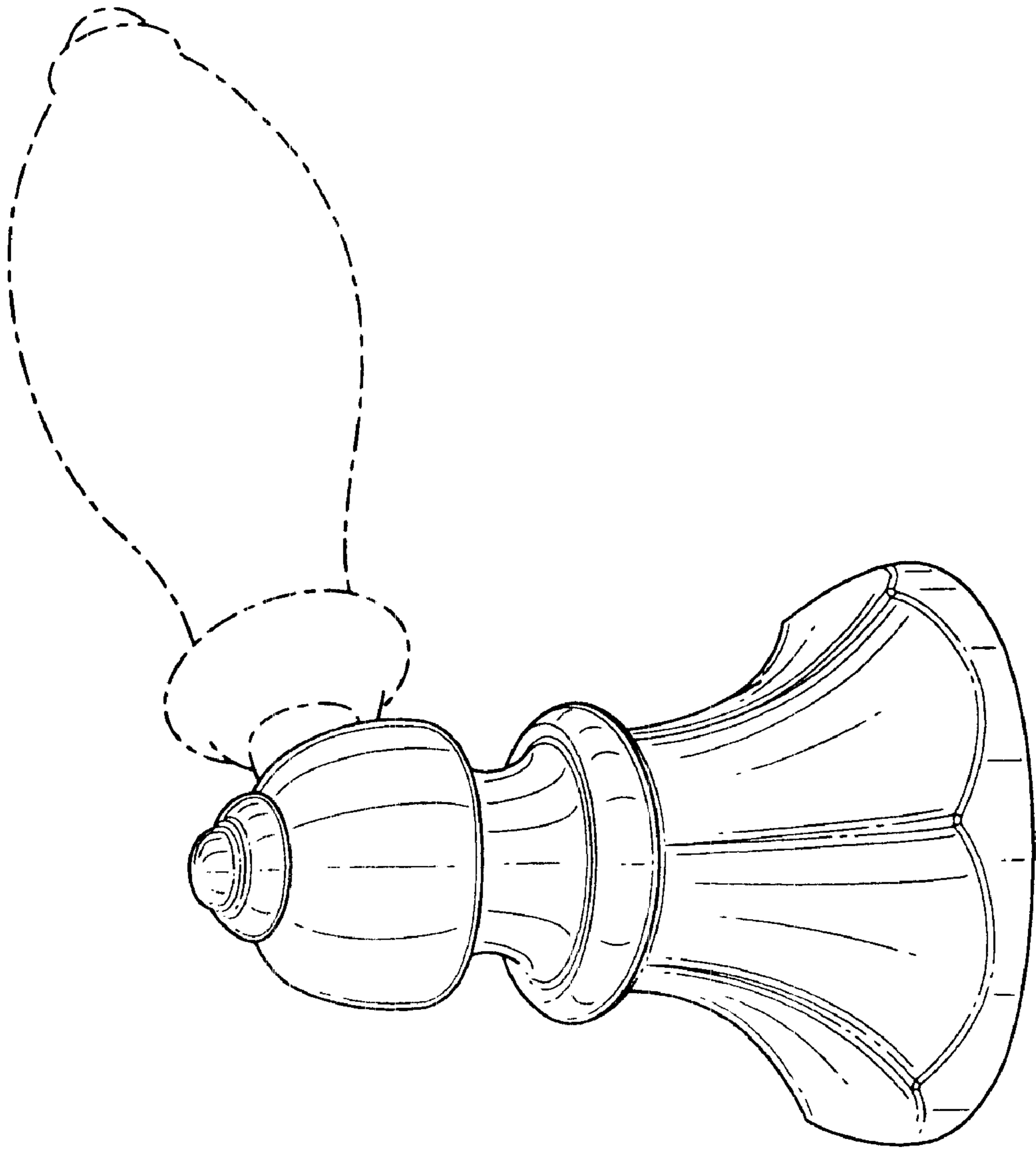


FIG. 1

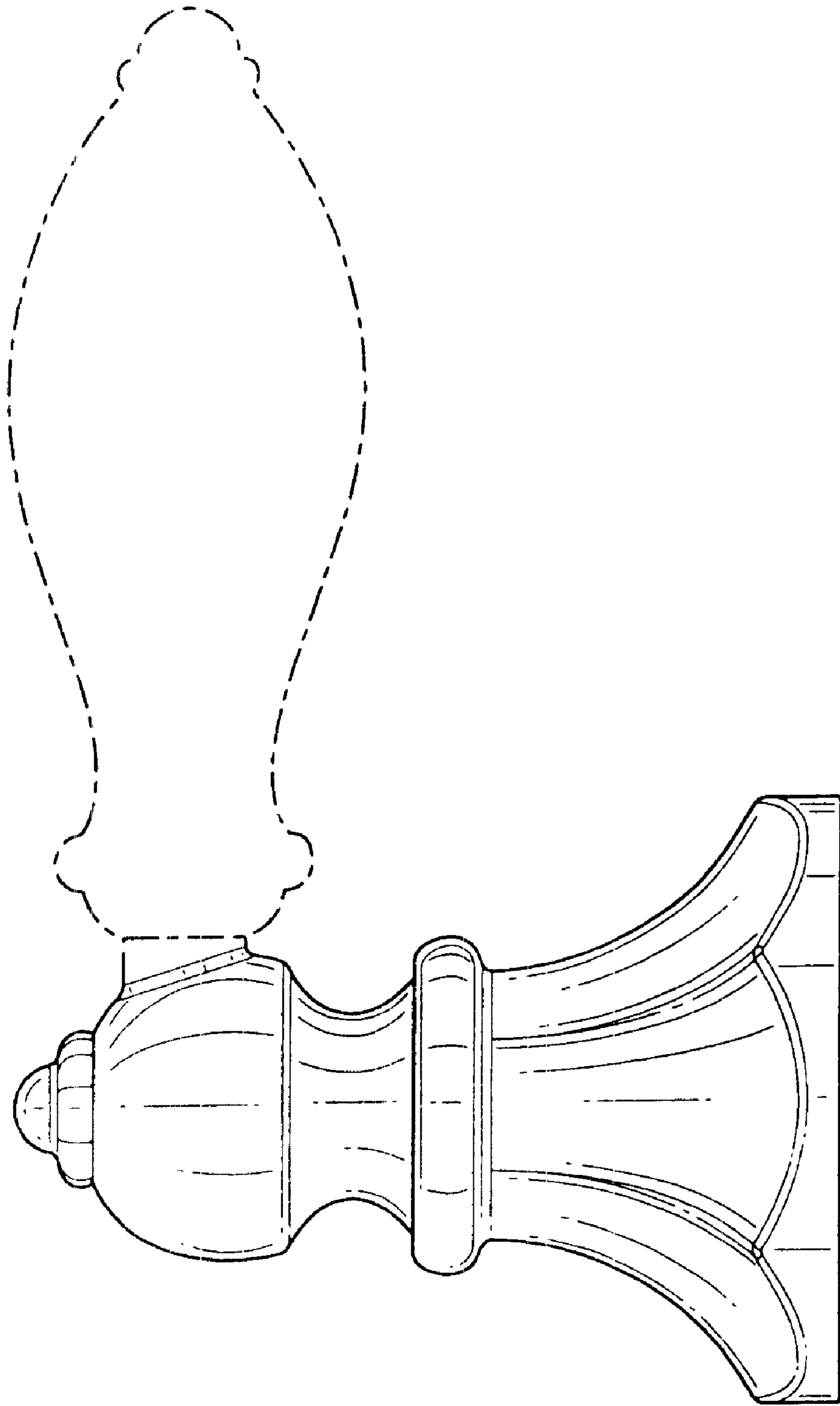


FIG. 2

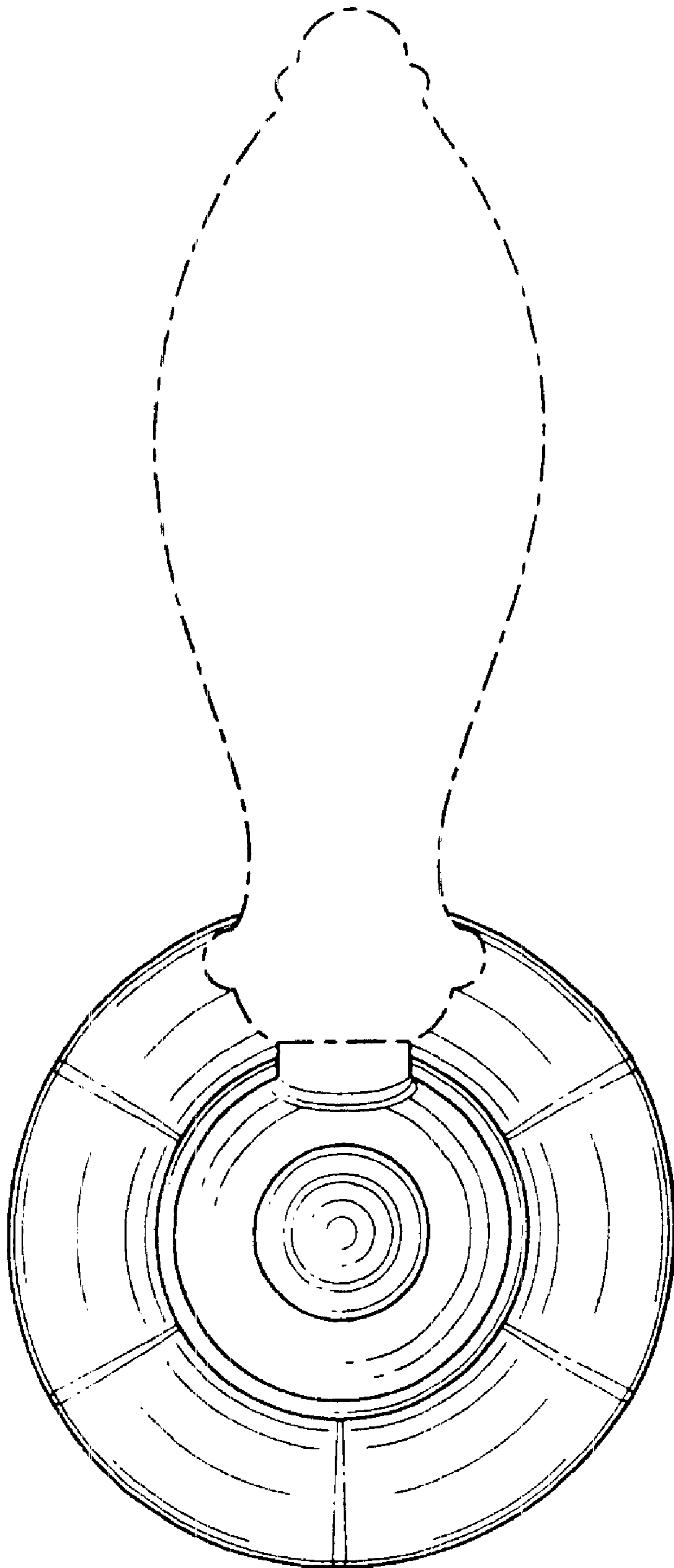


FIG. 3

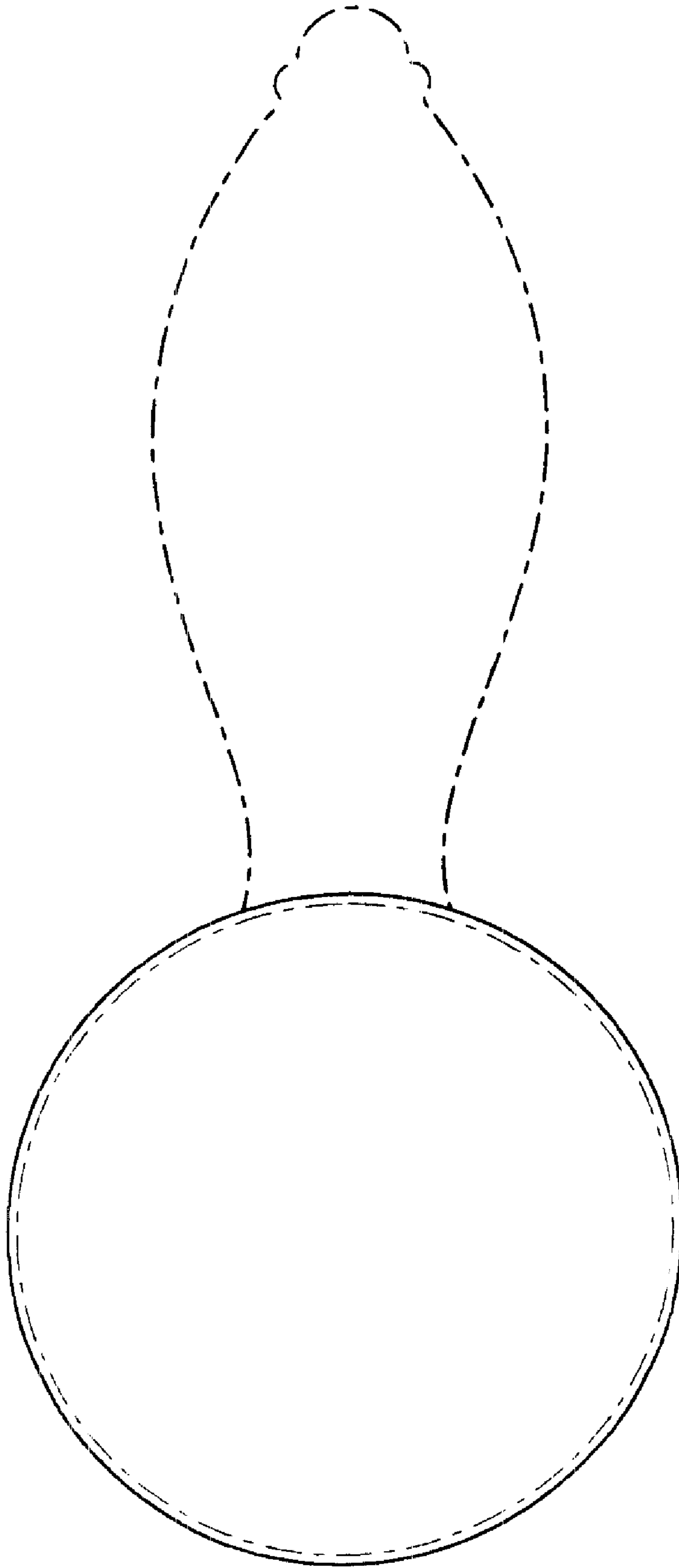


FIG. 4

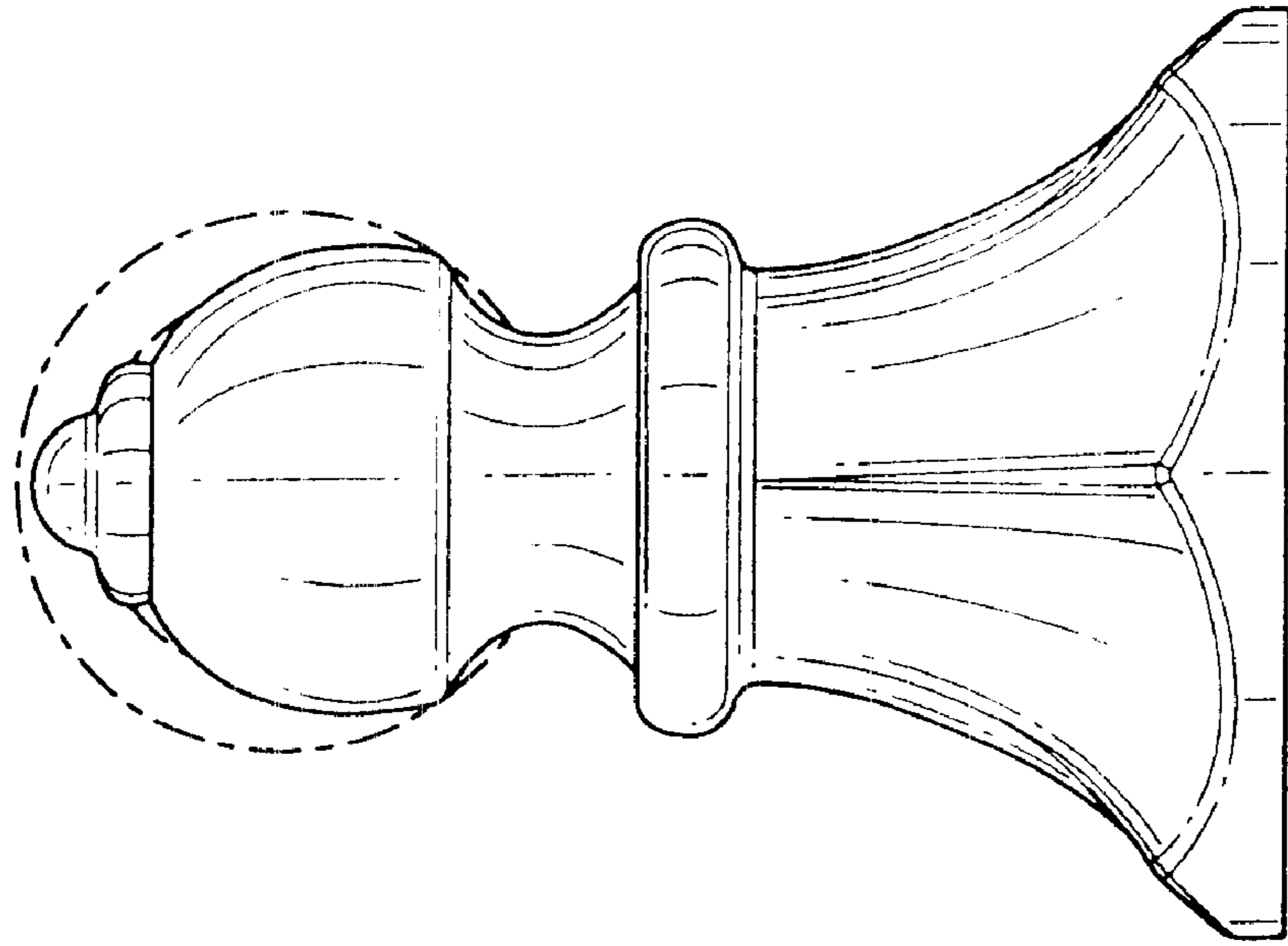


FIG. 5

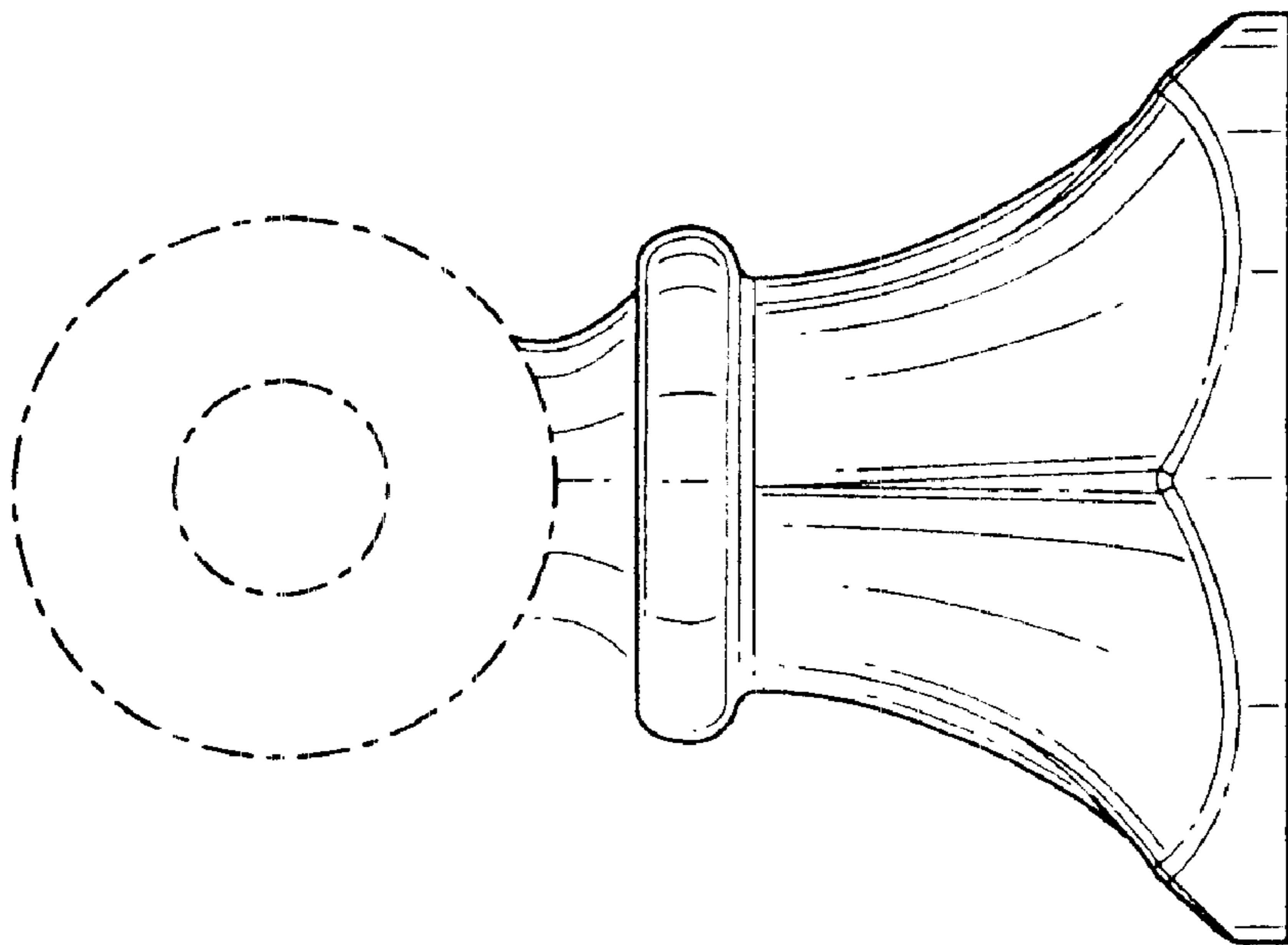


FIG. 6