



US00D466981S

(12) **United States Design Patent**
Cosolito et al.

(10) **Patent No.:** **US D466,981 S**

(45) **Date of Patent:** **** Dec. 10, 2002**

(54) **FAUCET**

D375,345 S * 11/1996 Warshawsky D23/241

(76) Inventors: **Robert Cosolito**, 10 Tenny La.,
Cornwall, NY (US) 12518; **Guillaume**
Margot, 24 Rue Pasteur, 76260 Eu
(FR)

(**) Term: **14 Years**

(21) Appl. No.: **29/132,278**

(22) Filed: **Nov. 6, 2000**
(Under 37 CFR 1.47)

Related U.S. Application Data

(63) Continuation of application No. 29/121,996, filed on Apr.
17, 2000, now abandoned.

(51) **LOC (7) Cl.** **23-01**

(52) **U.S. Cl.** **D23/242; D23/241; D23/238**

(58) **Field of Search** **D23/238-243,**
D23/250-257; D8/300-310; 4/675-678;
137/801

(56) **References Cited**

U.S. PATENT DOCUMENTS

D56,935 S * 1/1921 Mueller D23/241
D57,193 S * 3/1921 Mueller D23/239
D342,119 S * 12/1993 Shieh D23/239

OTHER PUBLICATIONS

Catalog of Harrington Brass Works Ltd., Inc., photographs
of Victorian faucet, date unknown, but prior to Apr. 17,
1999.

* cited by examiner

Primary Examiner—Louis S. Zarfes

Assistant Examiner—Gregory Andoll

(74) *Attorney, Agent, or Firm*—Lerner, David, Littenberg,
Krumholz & Mentlik, LLP

(57) **CLAIM**

The ornamental design for a faucet, as shown and described.

DESCRIPTION

FIG. 1 is a perspective view of a faucet showing our new
design;

FIG. 2 is a front elevational view thereof;

FIG. 3 is a rear elevational view thereof;

FIG. 4 is a top plan view thereof;

FIG. 5 is a bottom plan view thereof; and,

FIG. 6 is a right-side elevational view thereof, the left-side
elevational view being the mirror image thereof.

The broken lines in the Figures are for illustrative purposes
only and form no part of the claimed design.

1 Claim, 4 Drawing Sheets

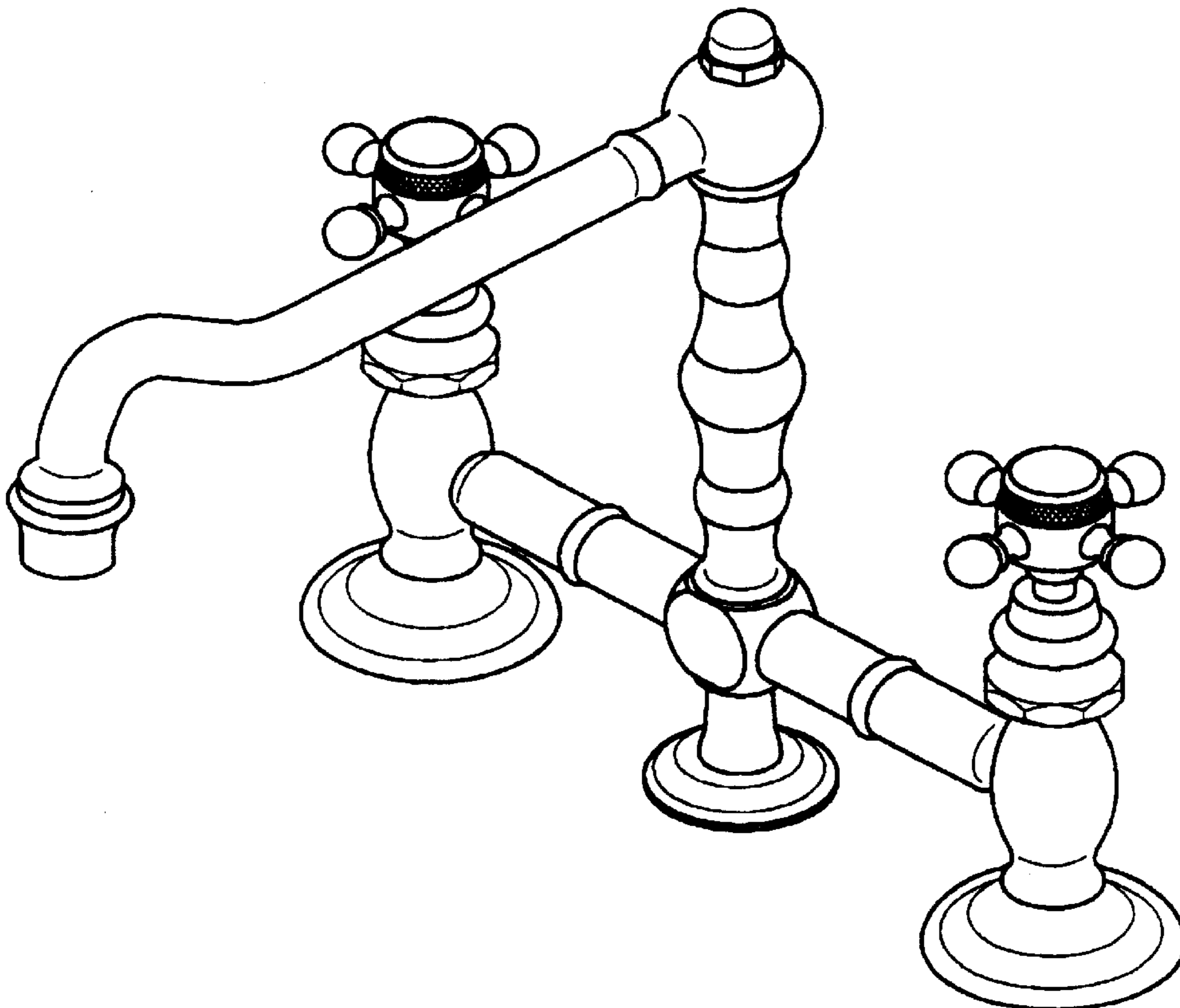


FIG. 1

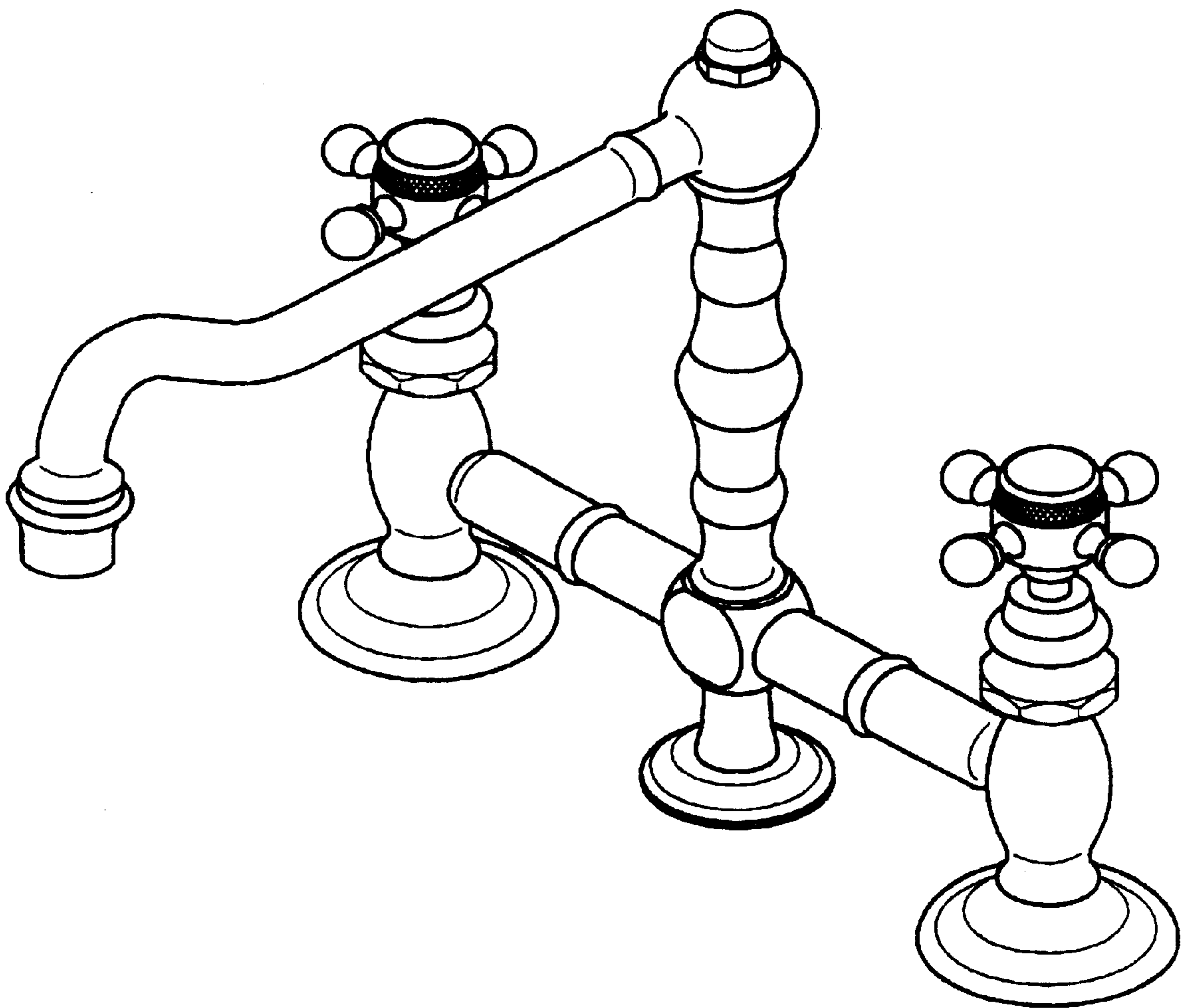


FIG. 2

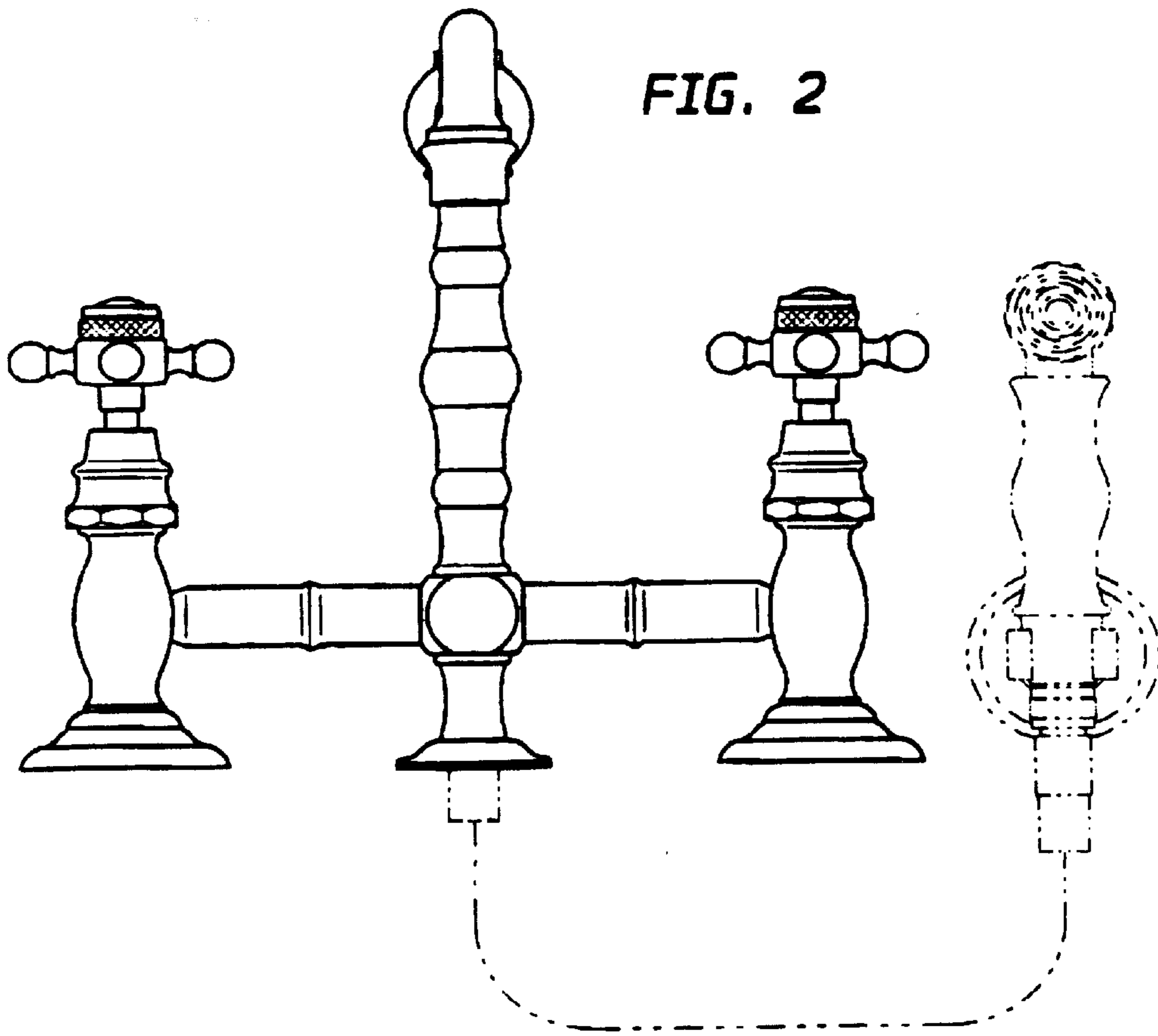


FIG. 3

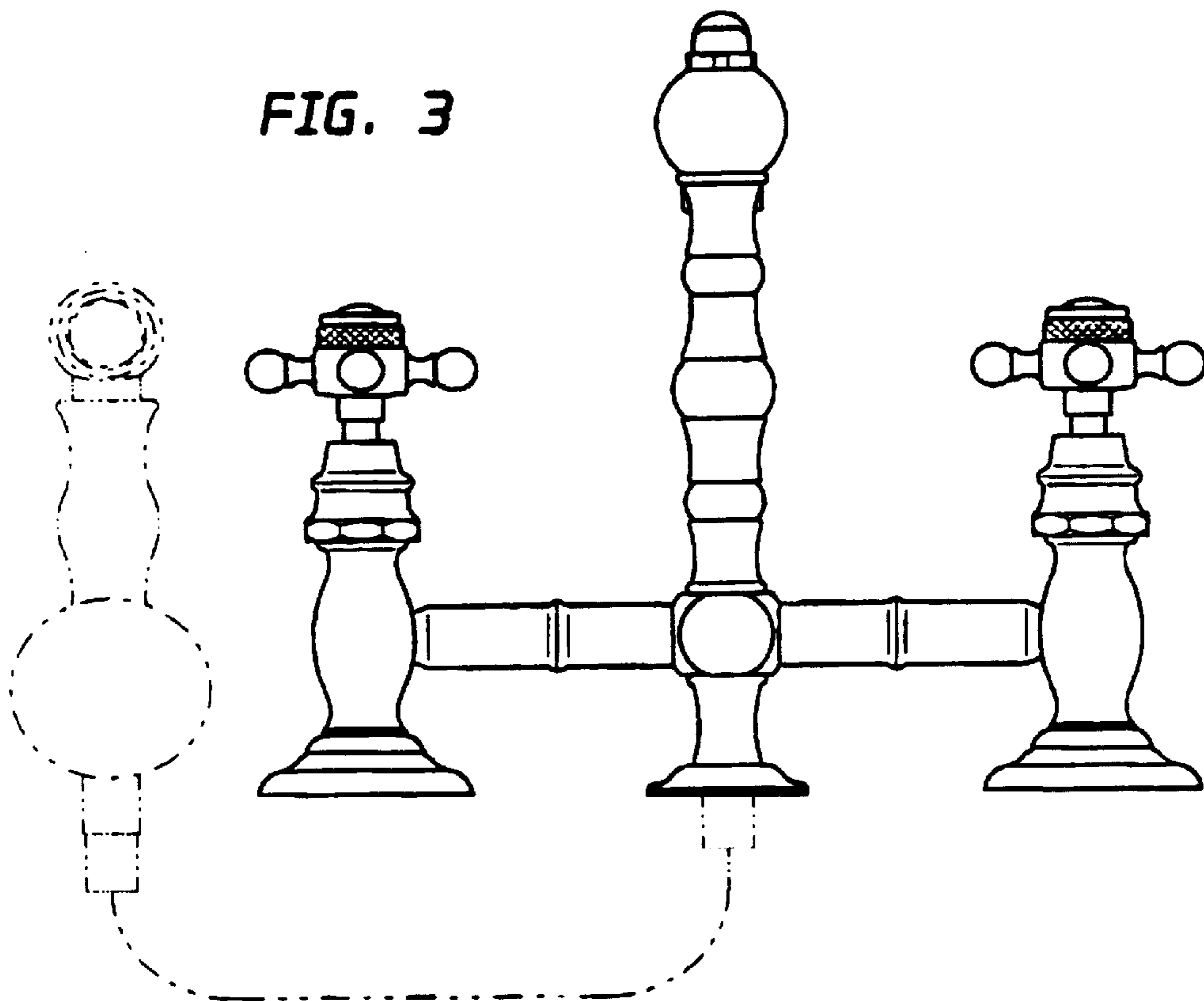


FIG. 4

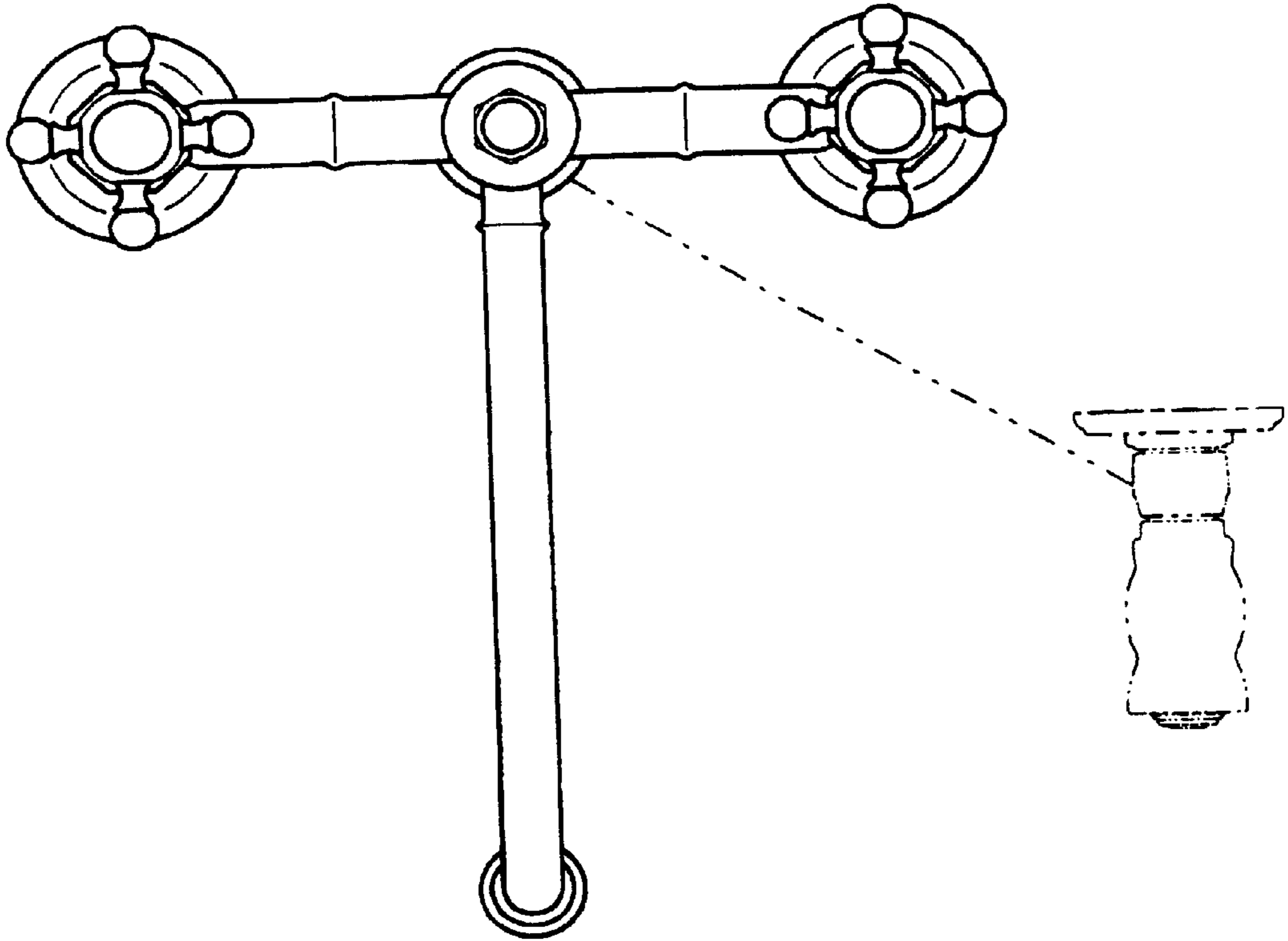


FIG. 5

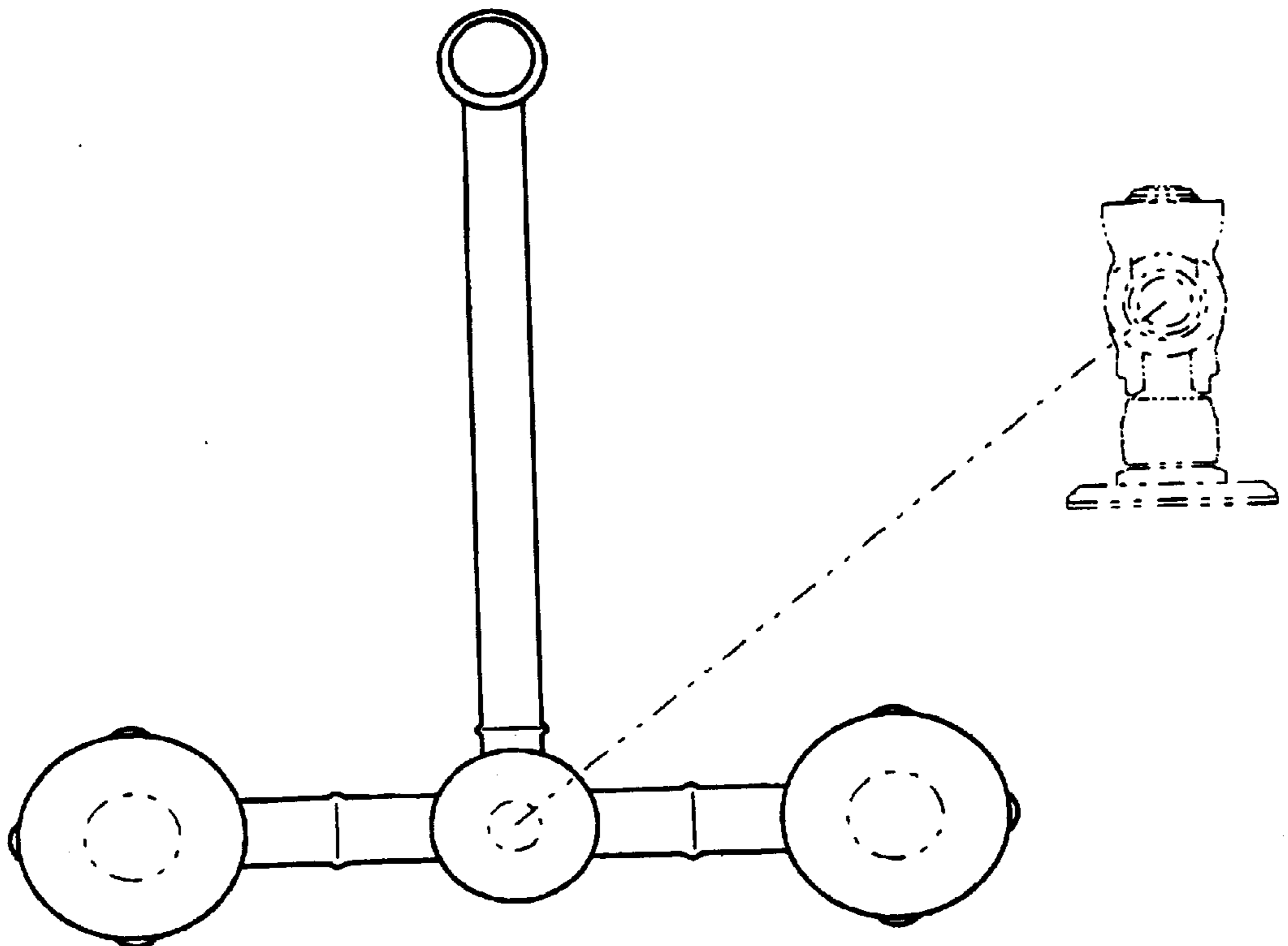


FIG. 6

