



US00D466979S

(12) **United States Design Patent**
Shulz

(10) **Patent No.:** **US D466,979 S**

(45) **Date of Patent:** **** Dec. 10, 2002**

(54) **TAP**

(75) **Inventor:** **Howard Shulz, Wetherill Park (AU)**

(73) **Assignee:** **Dorf Clark Industries, Brisbane (AU)**

(**) **Term:** **14 Years**

(21) **Appl. No.:** **29/152,907**

(22) **Filed:** **Oct. 26, 2001**

(30) **Foreign Application Priority Data**

Apr. 27, 2001 (AU) 1358/2001

(51) **LOC (7) Cl. 23-01**

(52) **U.S. Cl. D23/238**

(58) **Field of Search D23/238-243,**
D23/250-257; 4/675-678; 137/801, 375

(56) **References Cited**

U.S. PATENT DOCUMENTS

3,520,325 A * 7/1970 Stuart 137/375

D254,801 S * 4/1980 Santi D23/238

D322,658 S * 12/1991 Kohler et al. D23/255

D444,212 S * 6/2001 Fleischmann D23/243

* cited by examiner

Primary Examiner—Louis S. Zarfes

Assistant Examiner—Gregory Andoll

(74) *Attorney, Agent, or Firm*—David P. Gordon; David S. Jacobson; Thomas A. Gallagher

(57) **CLAIM**

The ornamental design for a tap, as shown and described.

DESCRIPTION

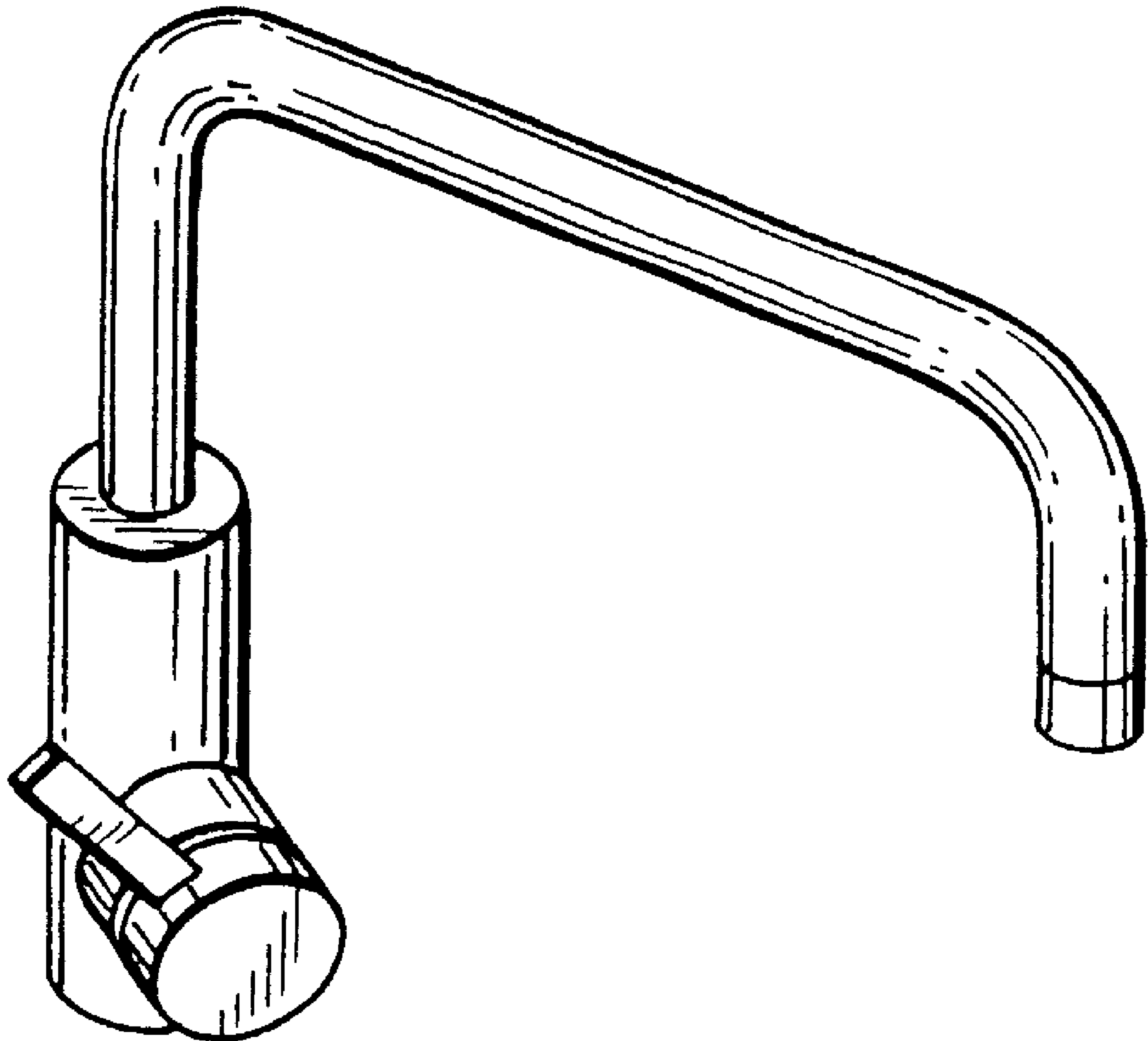
FIG. 1 is a front perspective view of a tap, showing my new design;

FIG. 2 is a top plan view thereof;

FIG. 3 is a top perspective view thereof; and,

FIG. 4 is a left side elevational view thereof, the right side being substantially a mirror image.

1 Claim, 2 Drawing Sheets



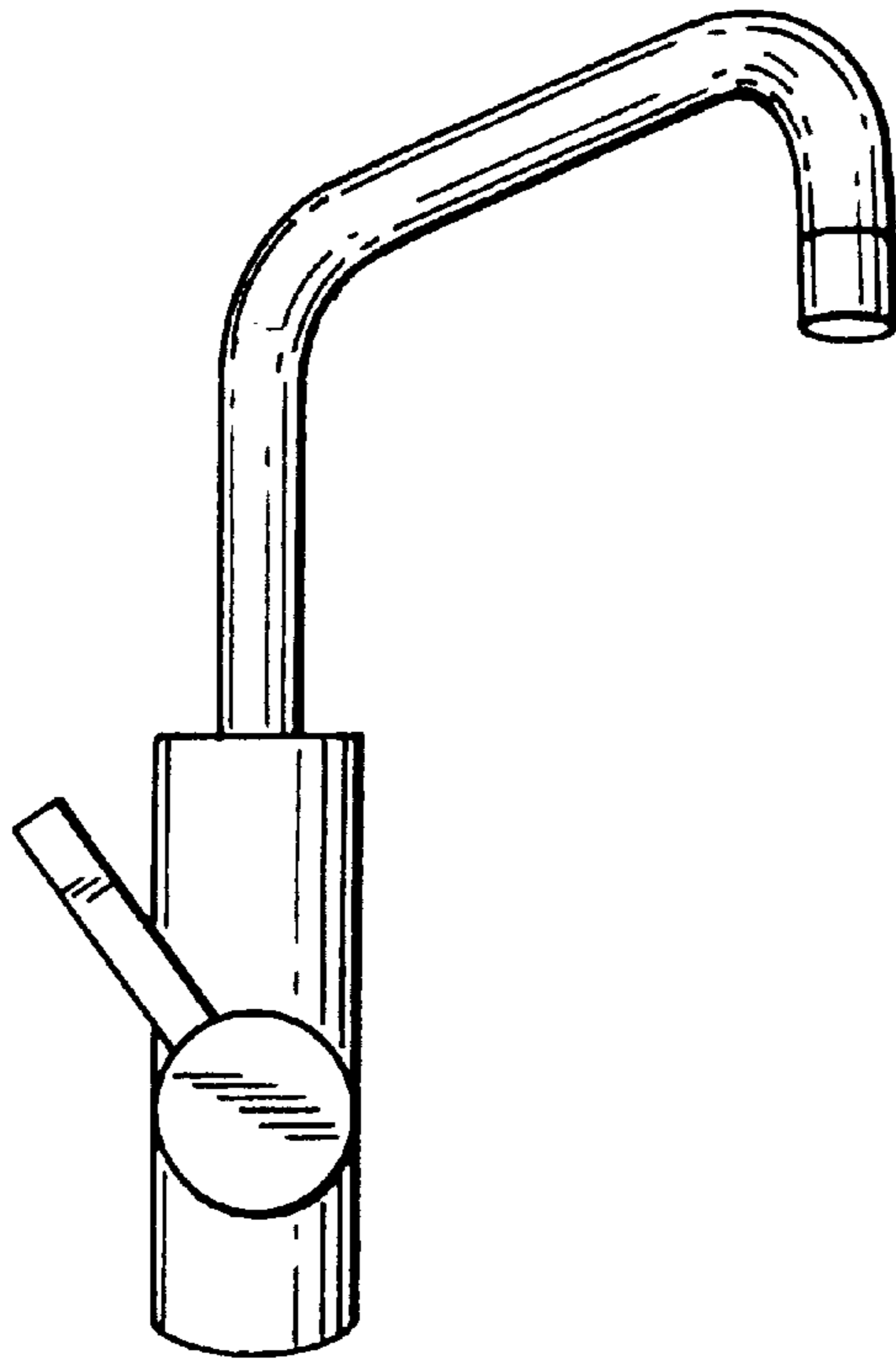


FIG. 1

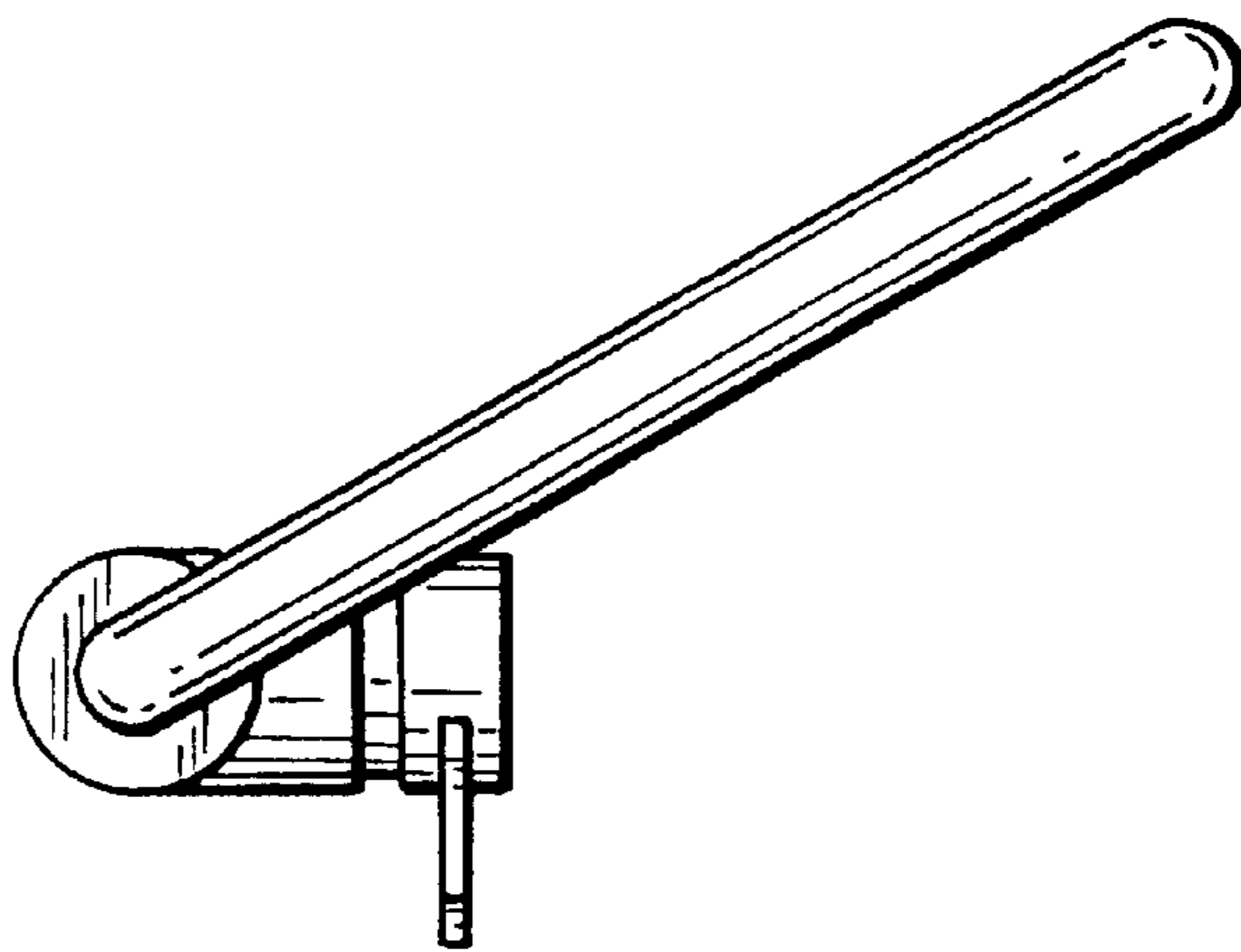


FIG. 2

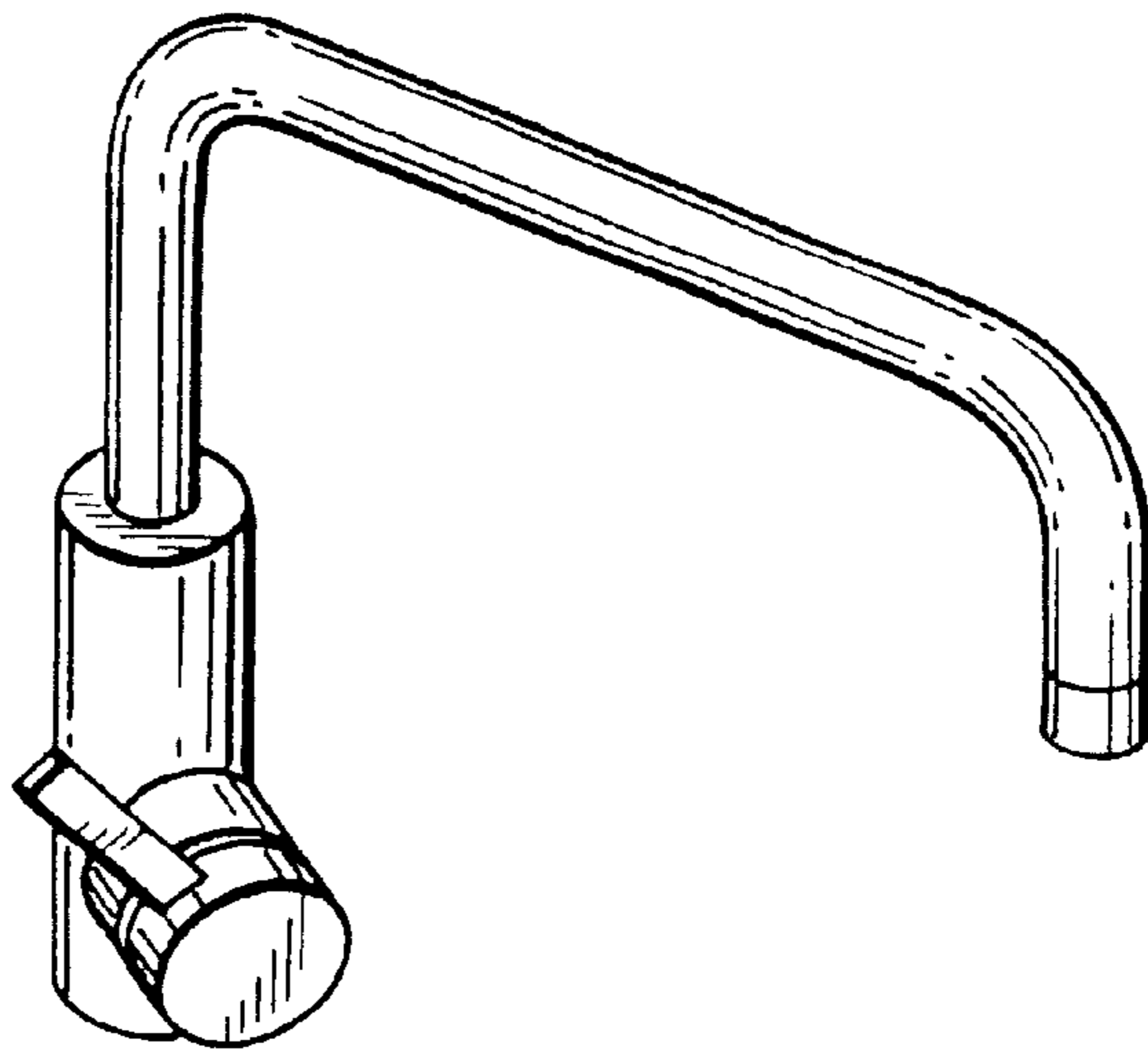


FIG. 3

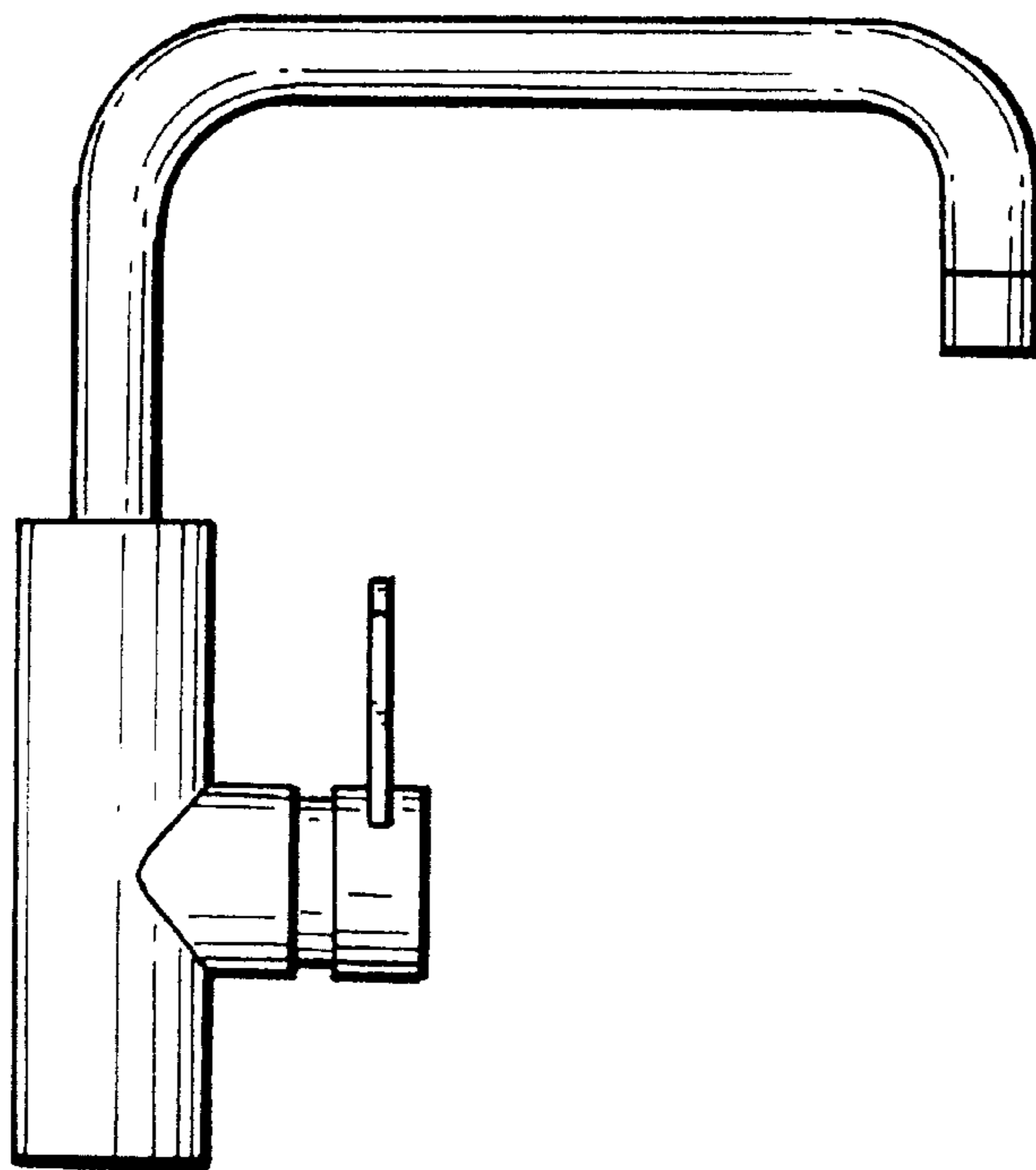


FIG. 4