



US00D466977S

(12) **United States Design Patent**
Cummings

(10) **Patent No.:** **US D466,977 S**

(45) **Date of Patent:** **** Dec. 10, 2002**

(54) **MIXING TAP**

(75) **Inventor:** **Stephen Cummings**, New South Wales
(AU)

(73) **Assignee:** **Dorf Clark Industries Limited**,
Brisbane (AU)

(**) **Term:** **14 Years**

(21) **Appl. No.:** **29/150,647**

(22) **Filed:** **Nov. 23, 2001**

(30) **Foreign Application Priority Data**

May 23, 2001 (AU) 1657/2001

(51) **LOC (7) Cl.** **23-01**

(52) **U.S. Cl.** **D23/238**

(58) **Field of Search** D23/238-243,
D23/250-257; 4/675, 678; 137/801

(56) **References Cited**

U.S. PATENT DOCUMENTS

D363,763 S * 10/1995 Starck D23/243

D406,877 S * 3/1999 Esche et al. D23/243

D417,906 S * 12/1999 Mullenmeister D23/238

D420,430 S * 2/2000 Lobermeier D23/238

* cited by examiner

Primary Examiner—Louis S. Zarfes

Assistant Examiner—Gregory Andoll

(74) *Attorney, Agent, or Firm*—David P. Gordon; David S.
Jacobson; Thomas A. Gallagher

(57) **CLAIM**

The ornamental design for a mixing tap, as shown and
described.

DESCRIPTION

FIG. 1 is a perspective view of a mixing tap, showing my
new design;

FIG. 2 is a top plan view thereof.

FIG. 3 is a bottom plan view thereof;

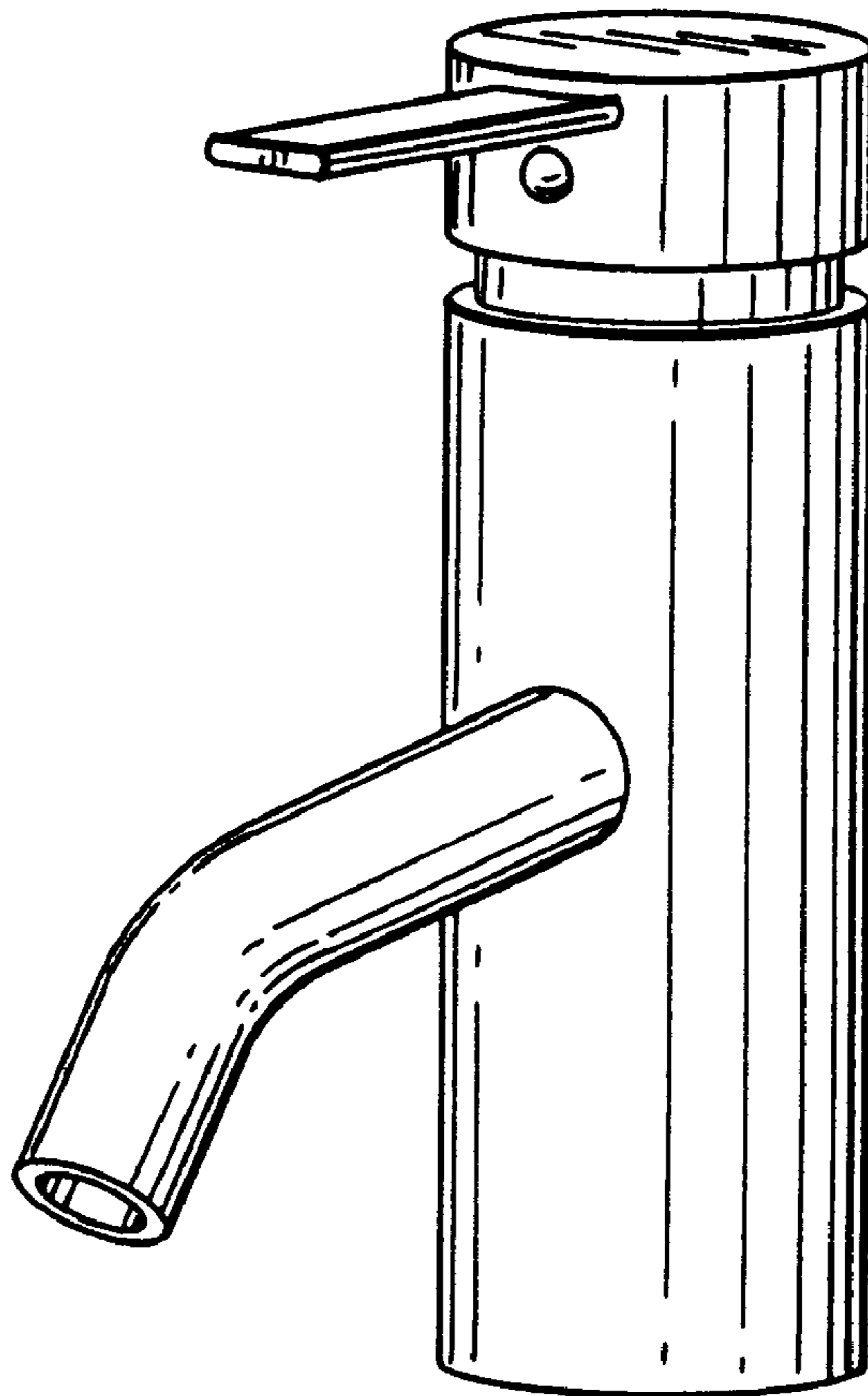
FIG. 4 is a front end elevational view thereof;

FIG. 5 is a rear end elevational view thereof;

FIG. 6 is a left side elevational view thereof; and,

FIG. 7 is a right side elevational view thereof.

1 Claim, 3 Drawing Sheets



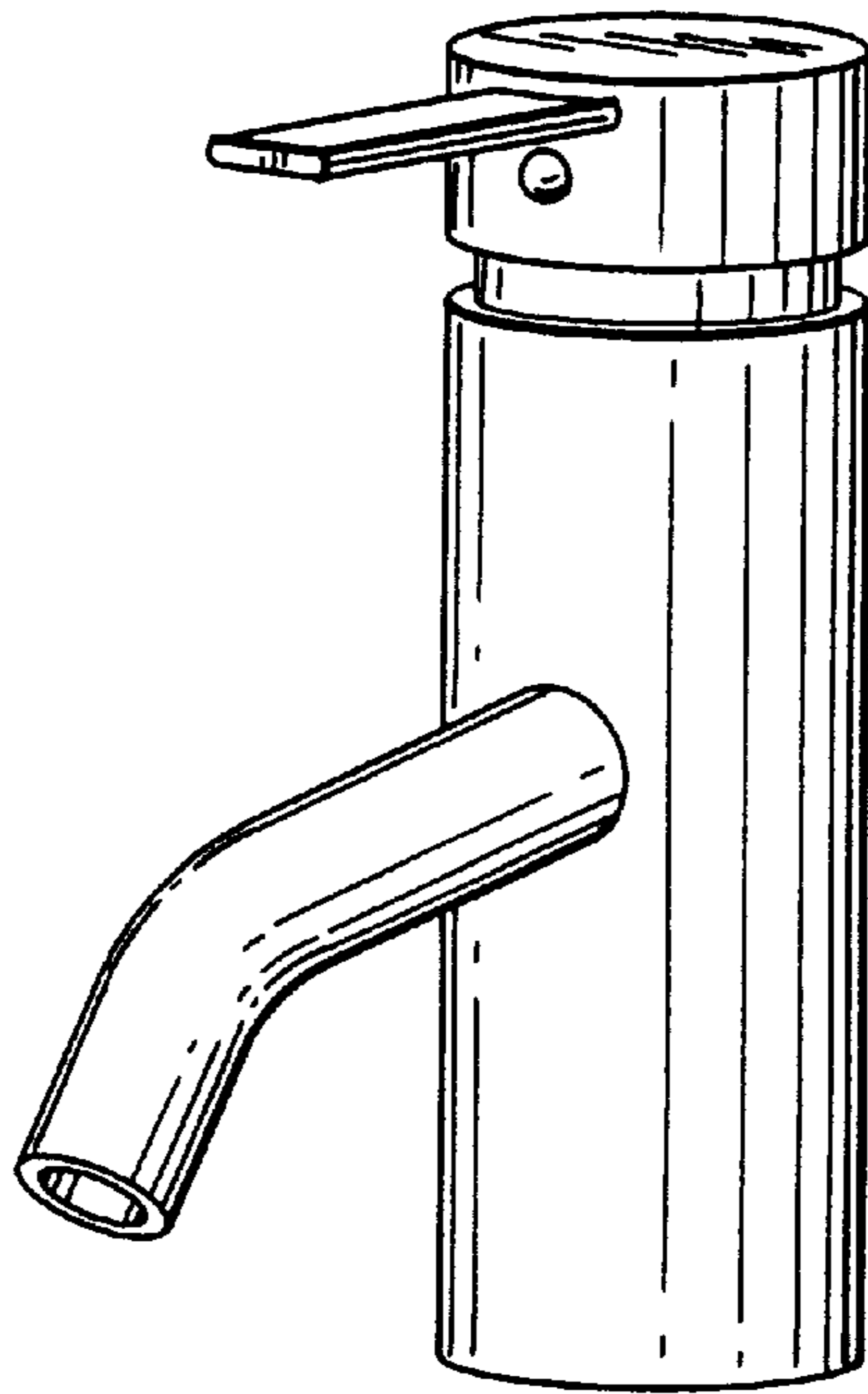


FIG. 1

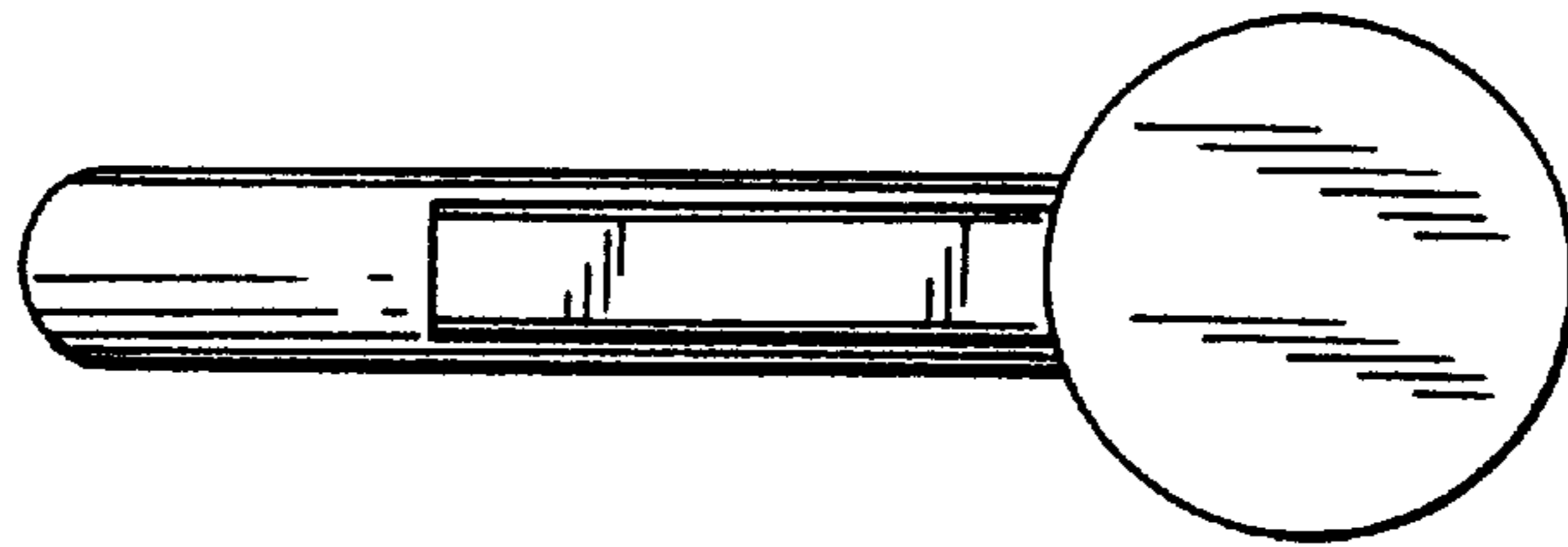


FIG. 2

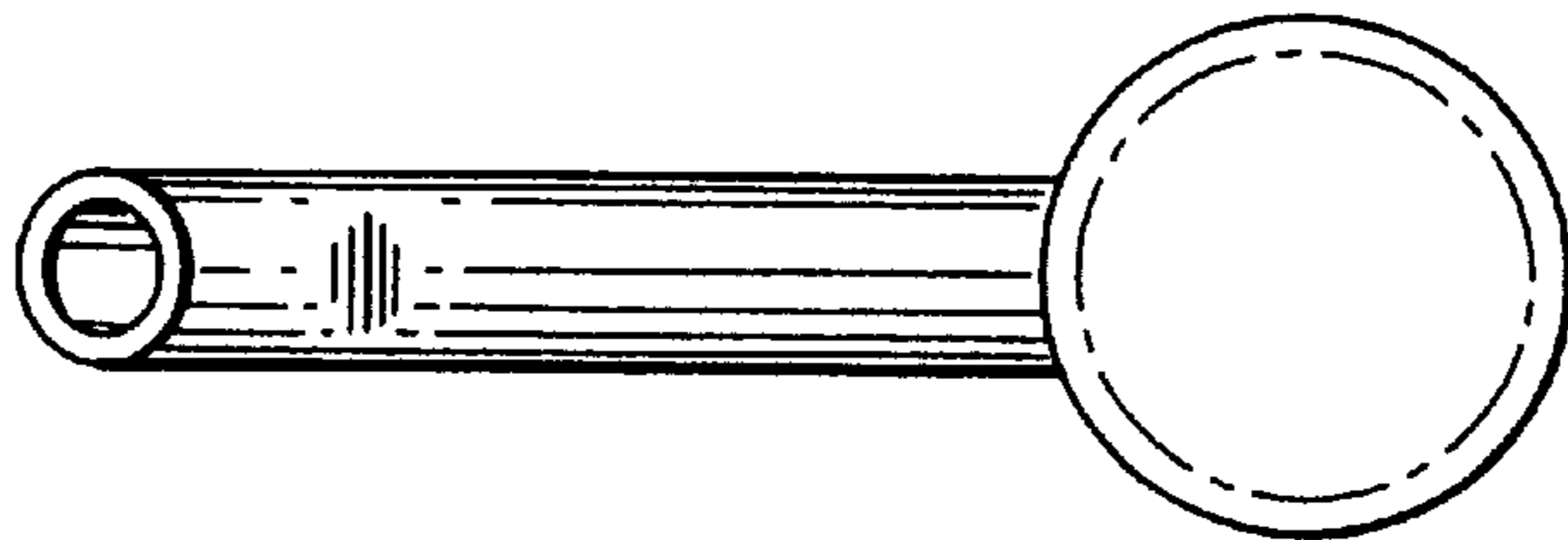


FIG. 3

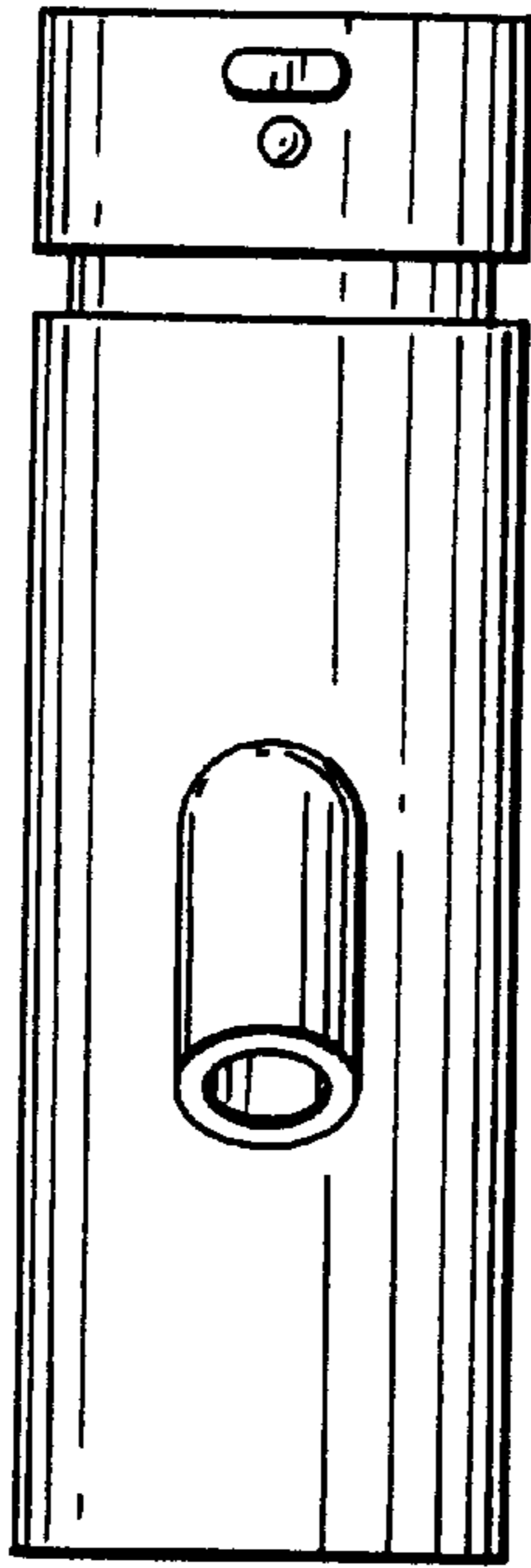


FIG. 4

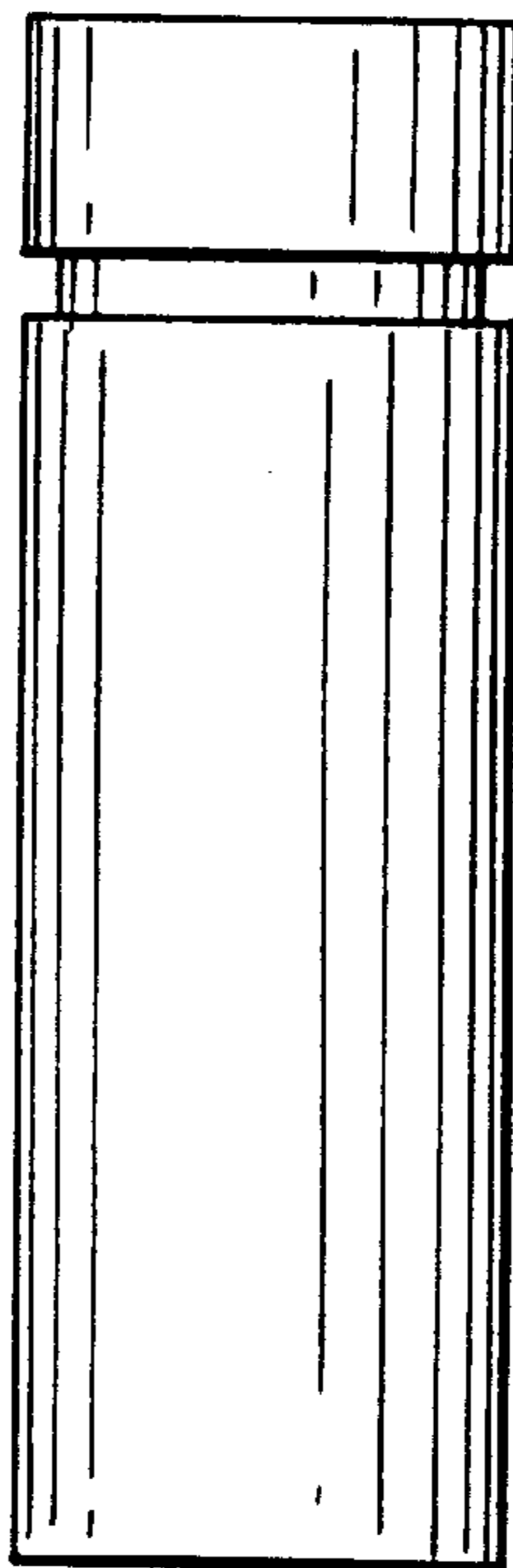


FIG. 5

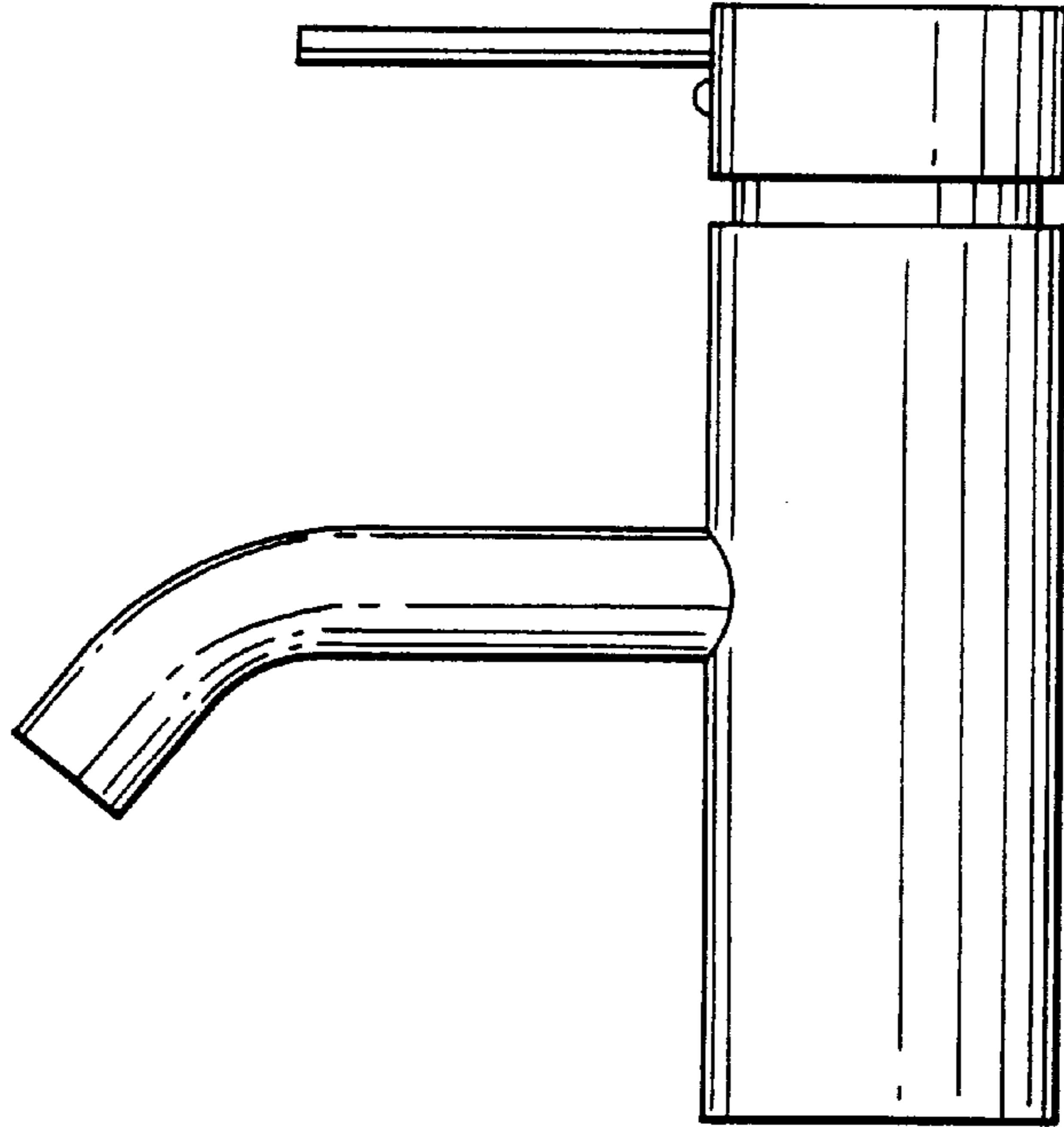


FIG. 6

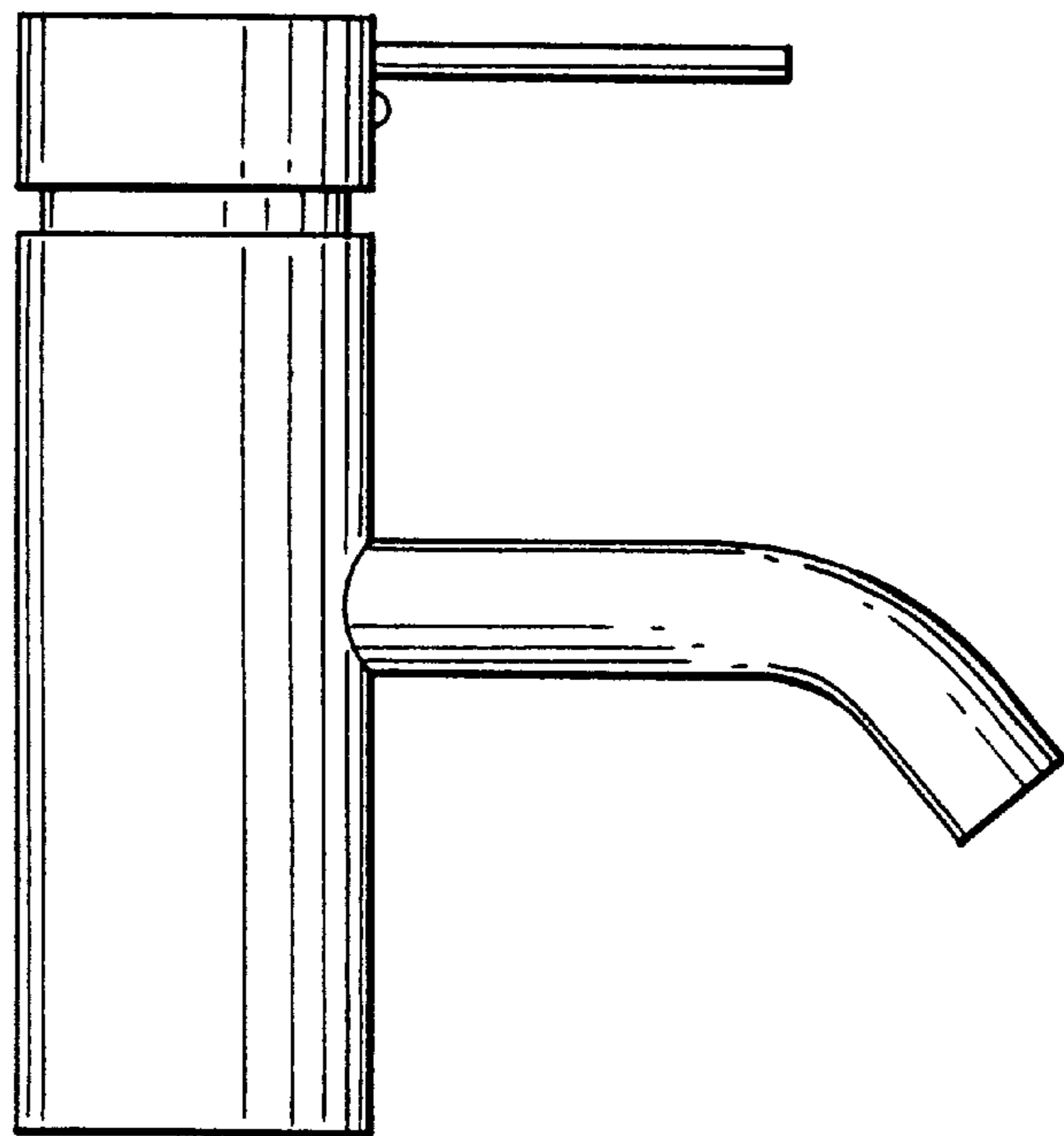


FIG. 7