



US00D466975S

(12) **United States Design Patent**  
**Kuo**

(10) **Patent No.:** **US D466,975 S**

(45) **Date of Patent:** **\*\* Dec. 10, 2002**

(54) **SPRINKLER**

D447,538 S \* 9/2001 Chao ..... D23/216

(76) Inventor: **Wen-Li Kuo**, 235 Chung-Ho Box 8-24,  
Taipei (TW)

\* cited by examiner

(\*\*) Term: **14 Years**

*Primary Examiner*—Robin V. Taylor

(21) Appl. No.: **29/151,625**

(57) **CLAIM**

(22) Filed: **Dec. 10, 2001**

The ornamental design for a sprinkler, as shown and described.

(51) **LOC (7) Cl.** ..... **23-01**

**DESCRIPTION**

(52) **U.S. Cl.** ..... **D23/216**

FIG. 1 is a front view of a sprinkler showing my new design;

(58) **Field of Search** ..... D23/214, 215,  
D23/216; 239/240, 241, 242

FIG. 2 is a rear view thereof;

FIG. 3 is a left side view thereof;

FIG. 4 is a right side view thereof;

FIG. 5 is an upper view thereof;

FIG. 6 is a lower view thereof; and,

FIG. 7 is a perspective view thereof.

(56) **References Cited**

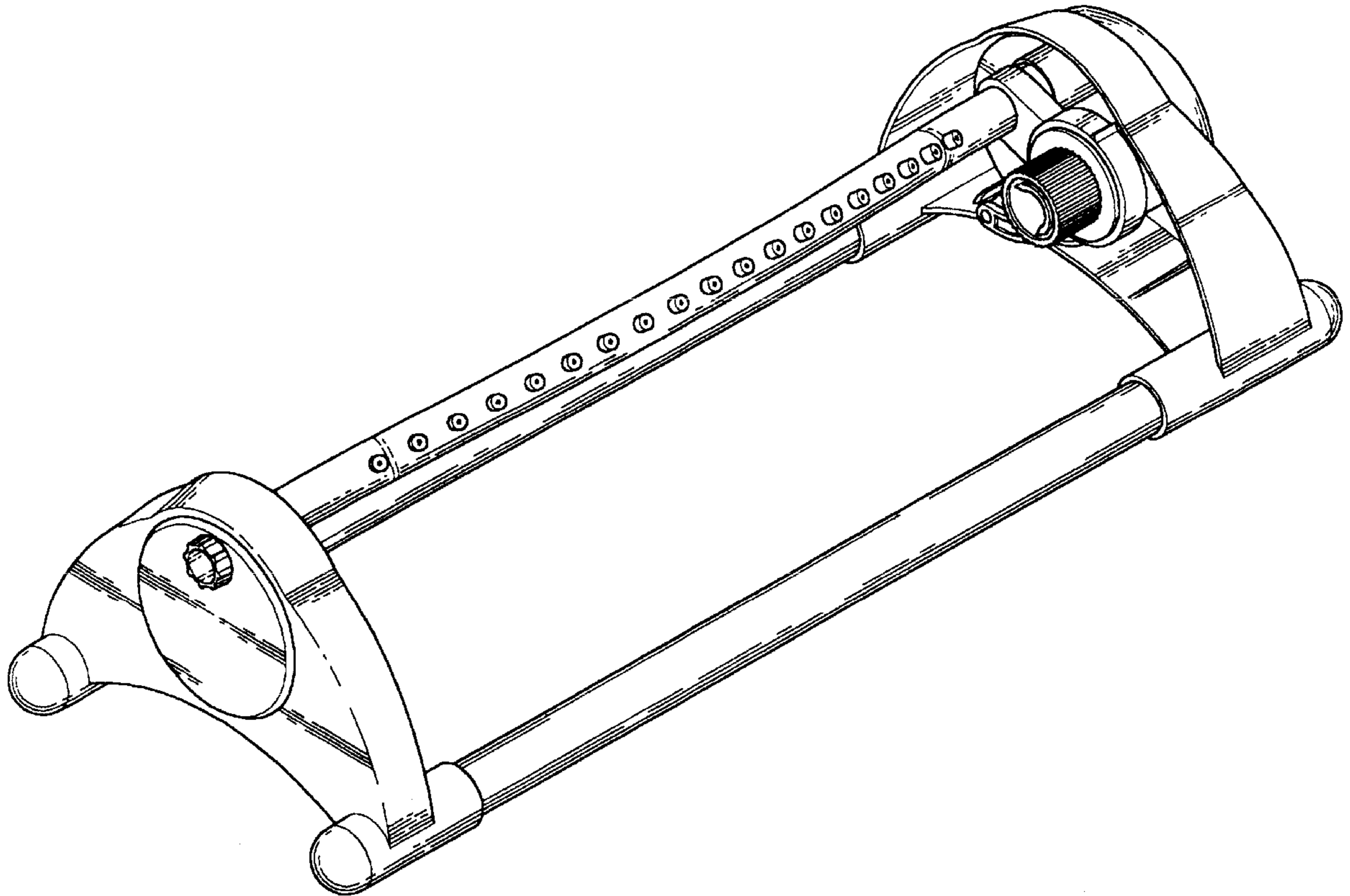
**U.S. PATENT DOCUMENTS**

D366,308 S \* 1/1996 Goodman et al. .... D23/216

D418,576 S \* 1/2000 Heren et al. .... D23/216

D447,537 S \* 9/2001 Chao ..... D23/216

**1 Claim, 7 Drawing Sheets**



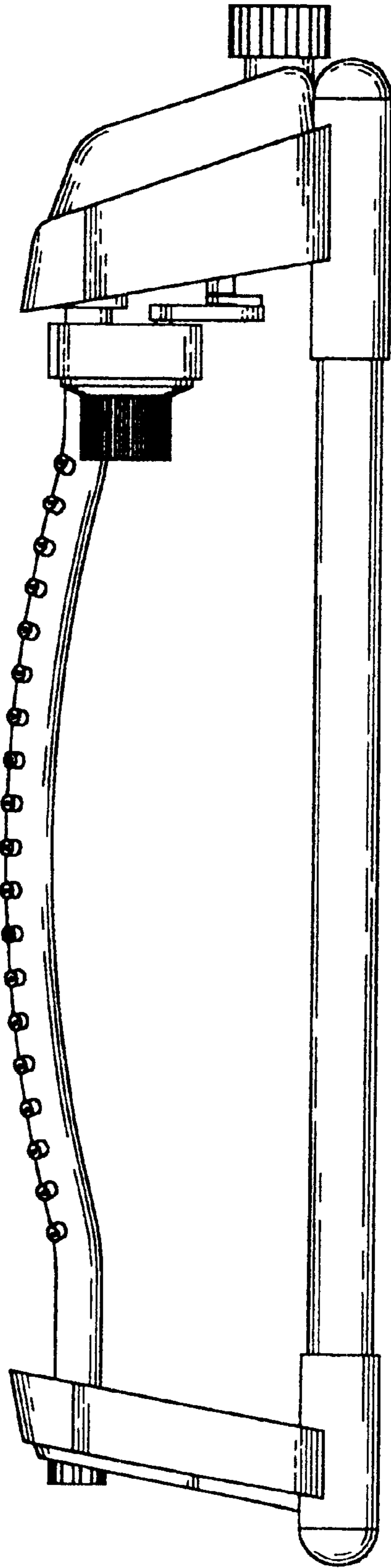


FIG 1

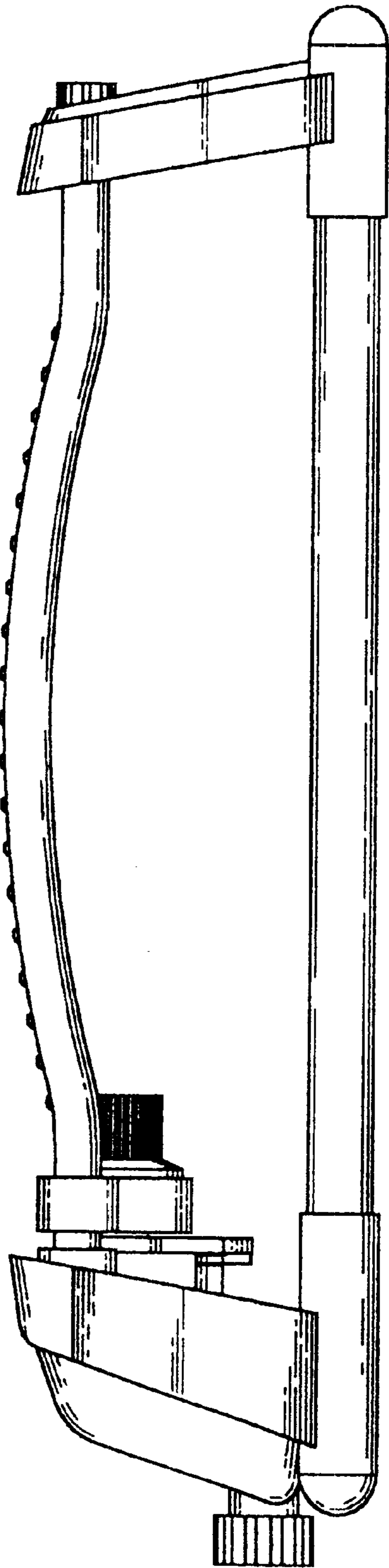


FIG 2

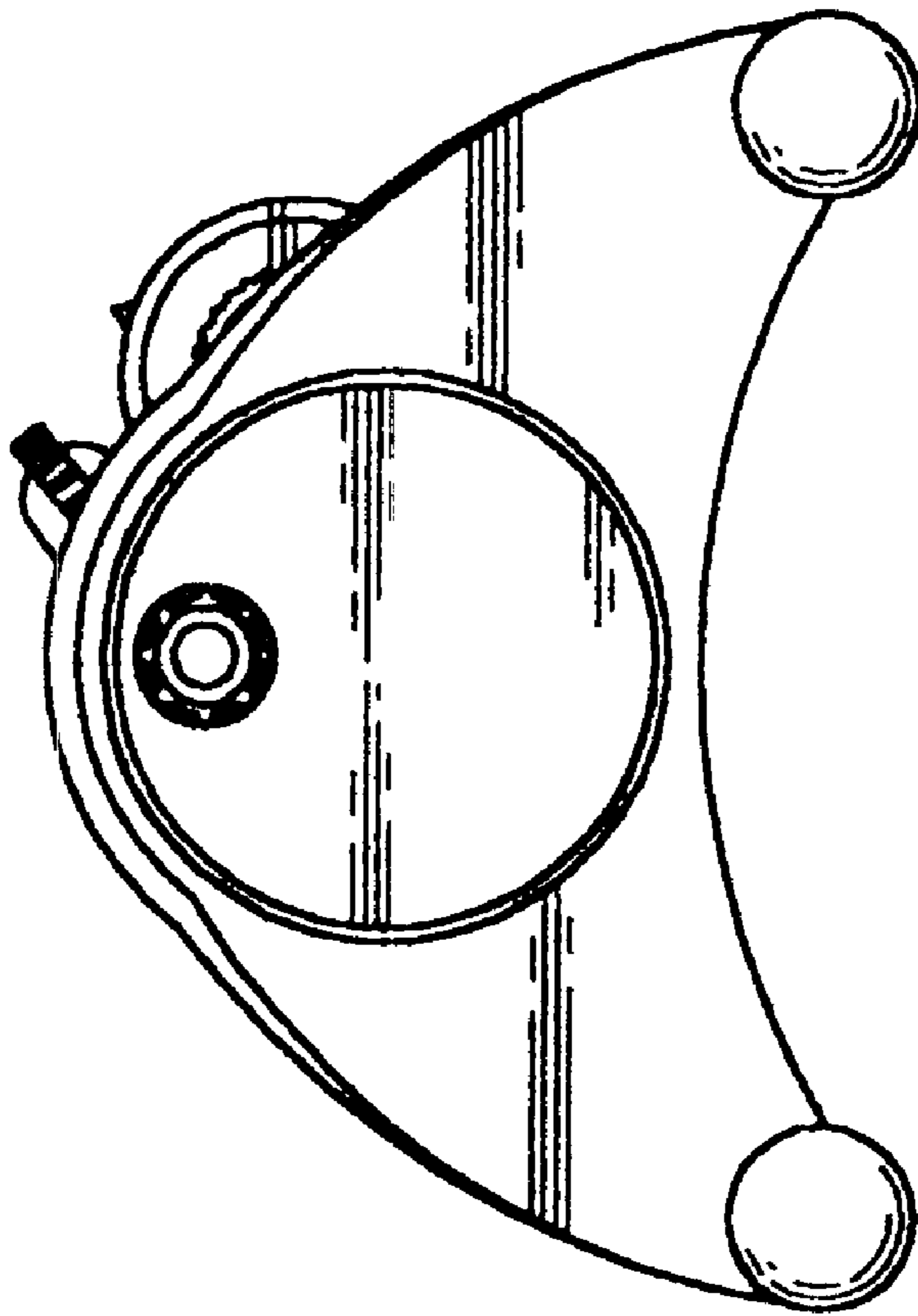


FIG 3

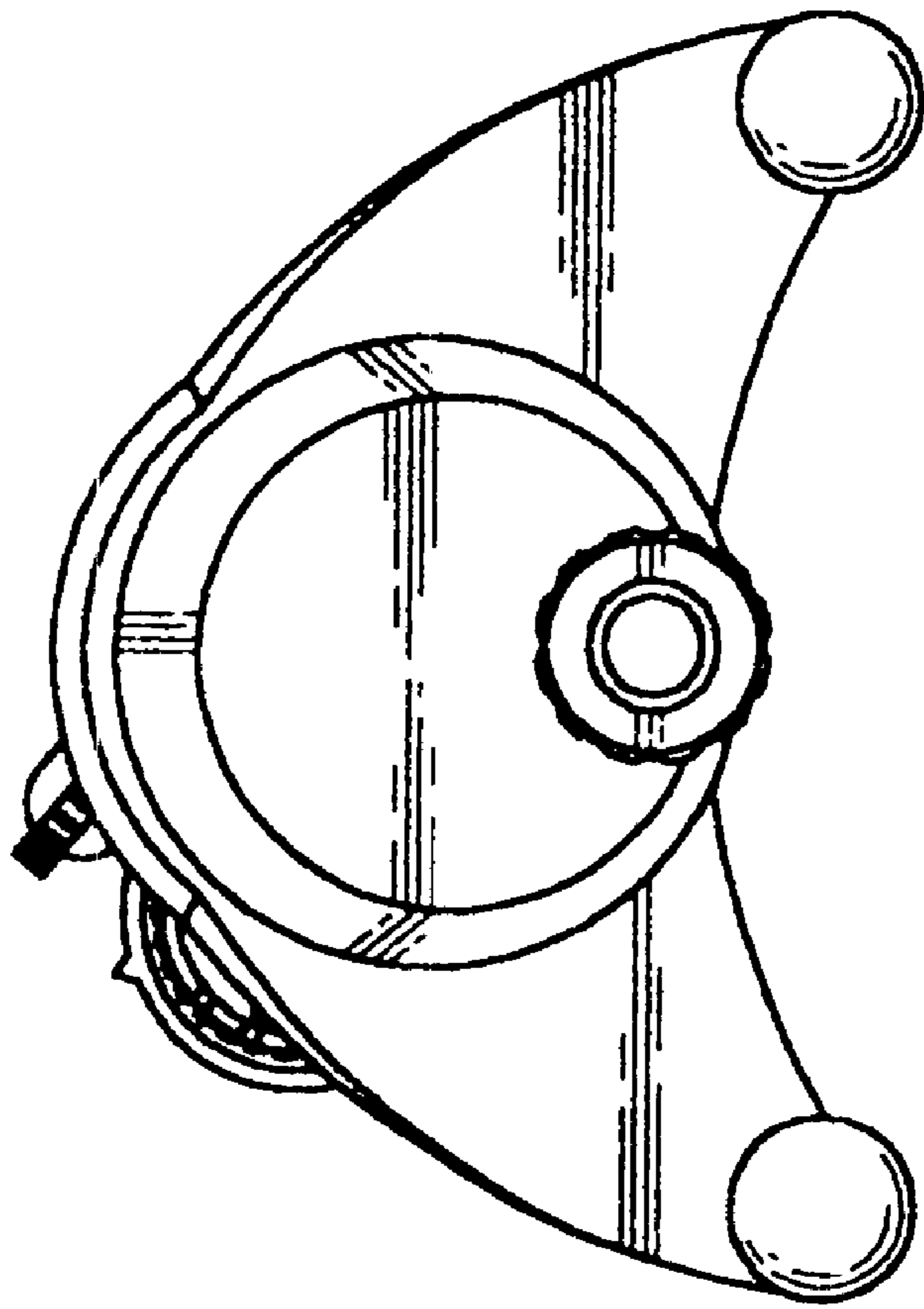


FIG 4

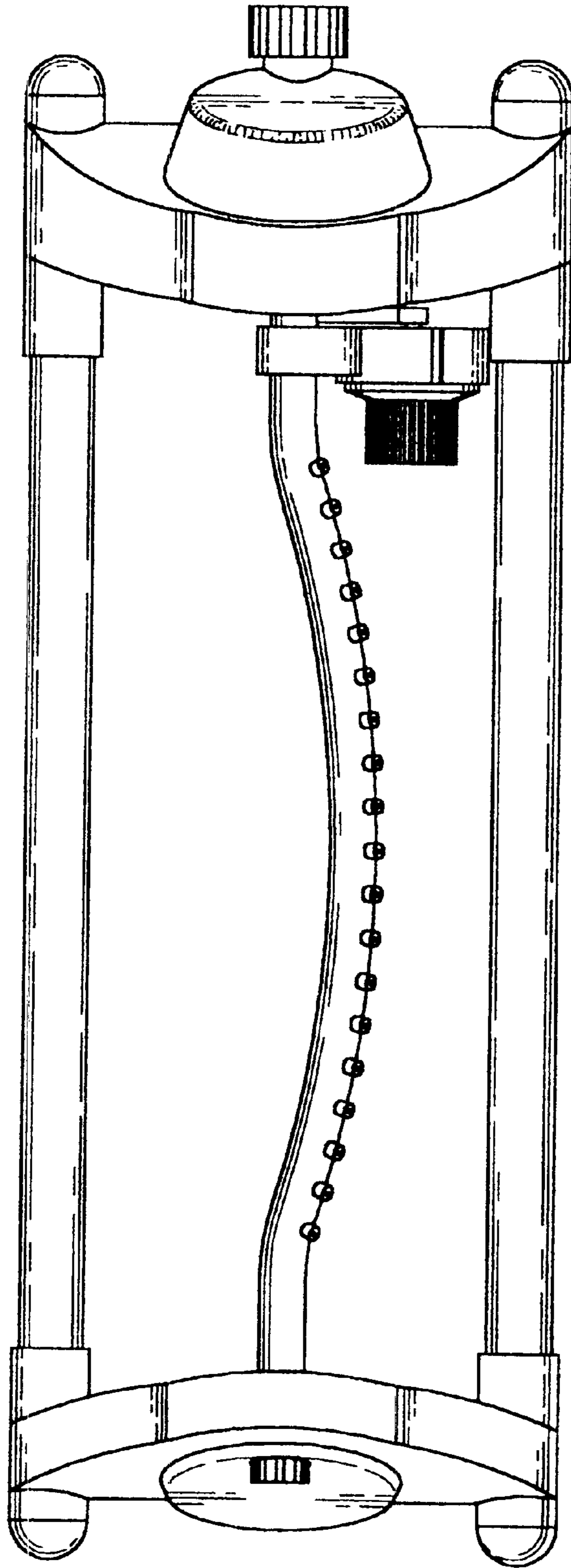


FIG 5

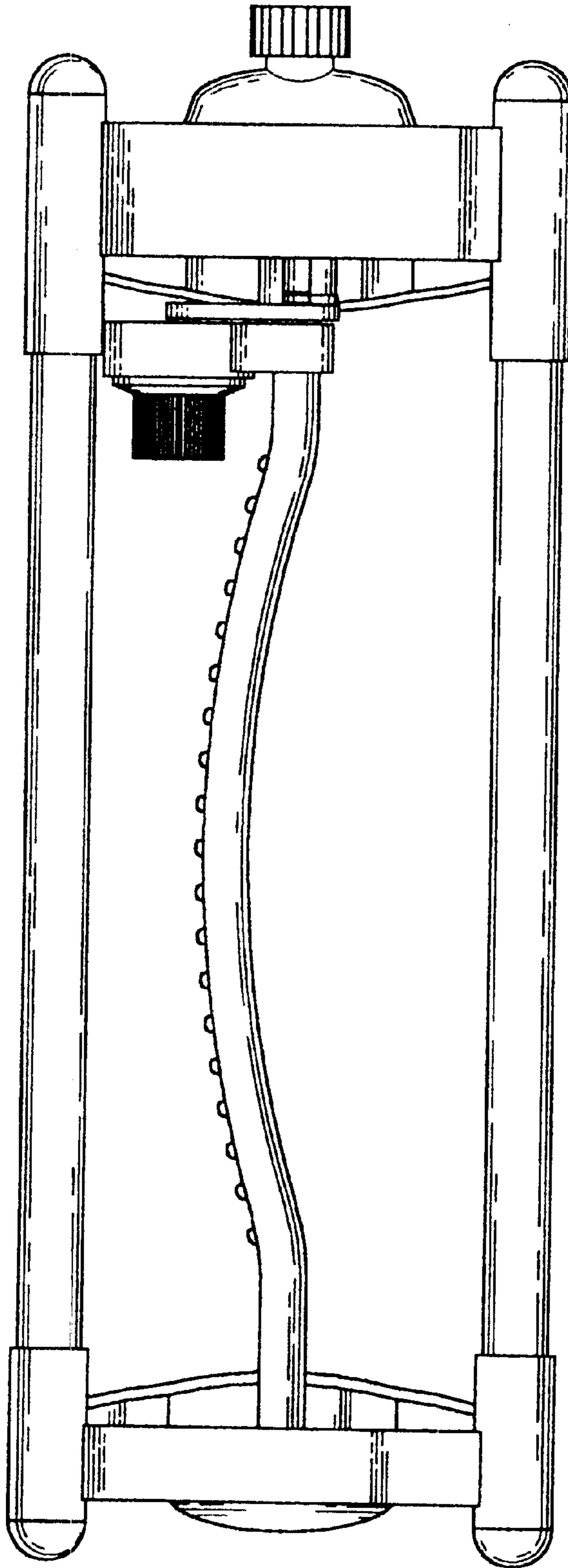


FIG 6

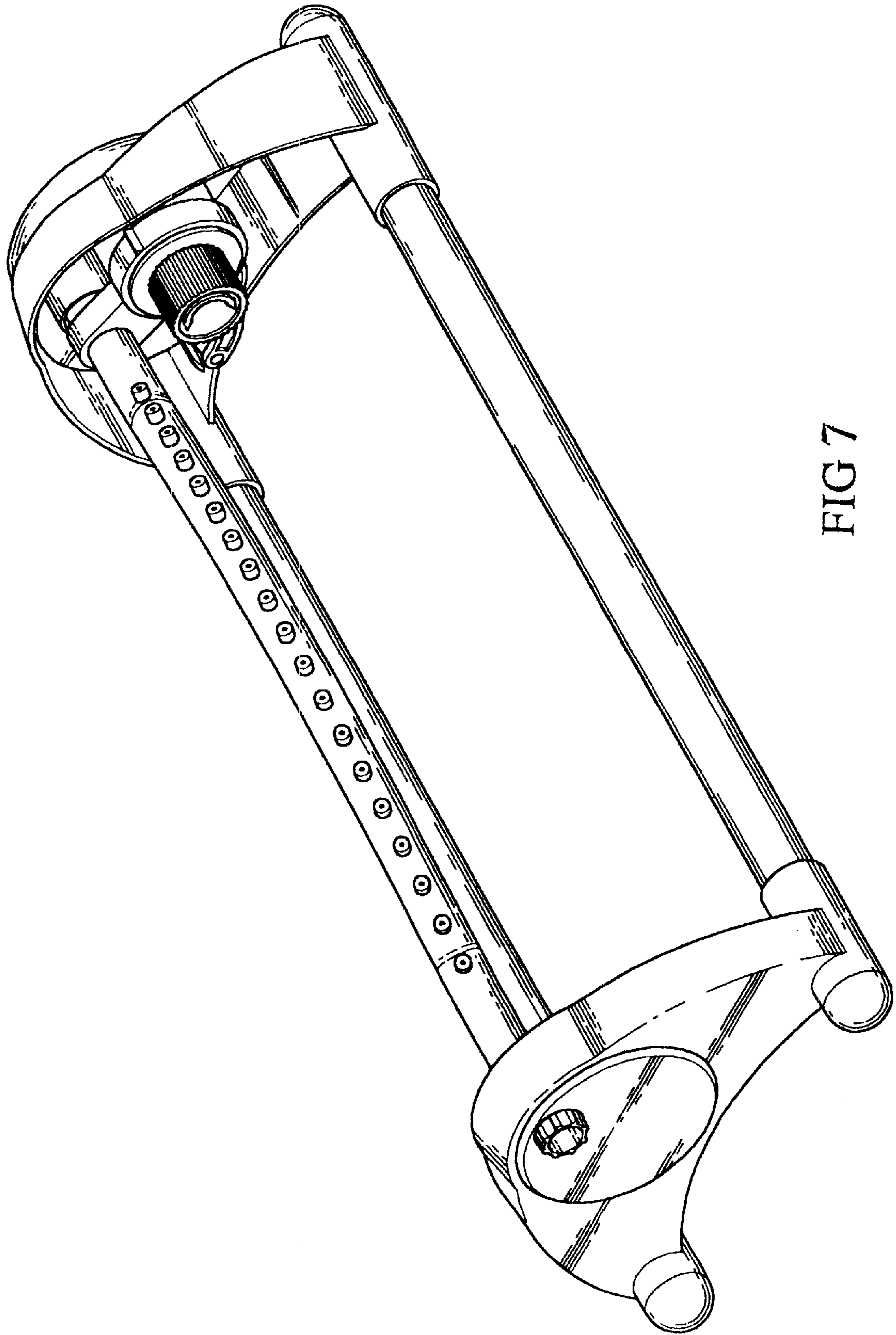


FIG 7