



US00D466971S

(12) **United States Design Patent**  
**Clivio**

(10) **Patent No.:** **US D466,971 S**

(45) **Date of Patent:** **\*\* Dec. 10, 2002**

(54) **GARDEN AND LAWN SPRINKLER**

(75) Inventor: **Franco Clivio**, Erlenbach (CH)

(73) Assignee: **Gardena Kress + Kastner GmbH**  
(DE)

(\*\*) Term: **14 Years**

(21) Appl. No.: **29/155,746**

(22) Filed: **Feb. 15, 2002**

(30) **Foreign Application Priority Data**

Aug. 17, 2001 (DE) ..... 401 07 245

(51) **LOC (7) Cl.** ..... **23-01**

(52) **U.S. Cl.** ..... **D23/214; D23/218**

(58) **Field of Search** ..... **D23/213, 214,**  
**D23/217, 218; 239/200, 201, 203, 204–206**

(56) **References Cited**

**U.S. PATENT DOCUMENTS**

- 1,882,922 A \* 10/1932 Robinson et al. .... 239/204
- 4,790,481 A \* 12/1988 Ray et al. .... 239/204
- D388,502 S \* 12/1997 Kah ..... D23/214
- 6,364,217 B1 \* 4/2002 Lockwood ..... 239/206

**OTHER PUBLICATIONS**

Water Whiz catalog 1994; adjustable pop-up p. 11; design digest.\*

Two pages from a catalog "Gardenlife" published by Claber S.p.A., Italy, Aug. 1998.

Four pages from a catalog published by Uniflex Utilitime S.p.A., Italy, Jul. 2000 for the year 2001.

One page from a catalog published by Gilmour Group, USA for the year 1999.

P. 4 from a catalog published by L.R. Nelson Europe BV in 2000 for the year 2001.

P. 17 from a catalog published by Hozelock Ltd for the year 2001.

P. 10 from a catalog published by Hunter Industries, USA, Oct. 1999 for the years 2000–2001.

P. 10 from a catalog "Garden Line" published by Rain Bird for the year 2001.

\* cited by examiner

*Primary Examiner*—Robin V. Taylor

(74) *Attorney, Agent, or Firm*—Akerman Senterfitt

(57) **CLAIM**

The ornamental design for a garden and lawn sprinkler, as shown and described.

**DESCRIPTION**

FIG. 1: is a side perspective view of a garden and lawn sprinkler showing my new design;

FIG. 2: is a front elevation view thereof;

FIG. 3: is a top plan view thereof;

FIG. 4: is a bottom plan view thereof;

FIG. 5: is a side elevation view thereof;

FIG. 6: is the opposite side elevation view thereof; and,

FIG. 7: rear elevation view thereof.

**1 Claim, 6 Drawing Sheets**

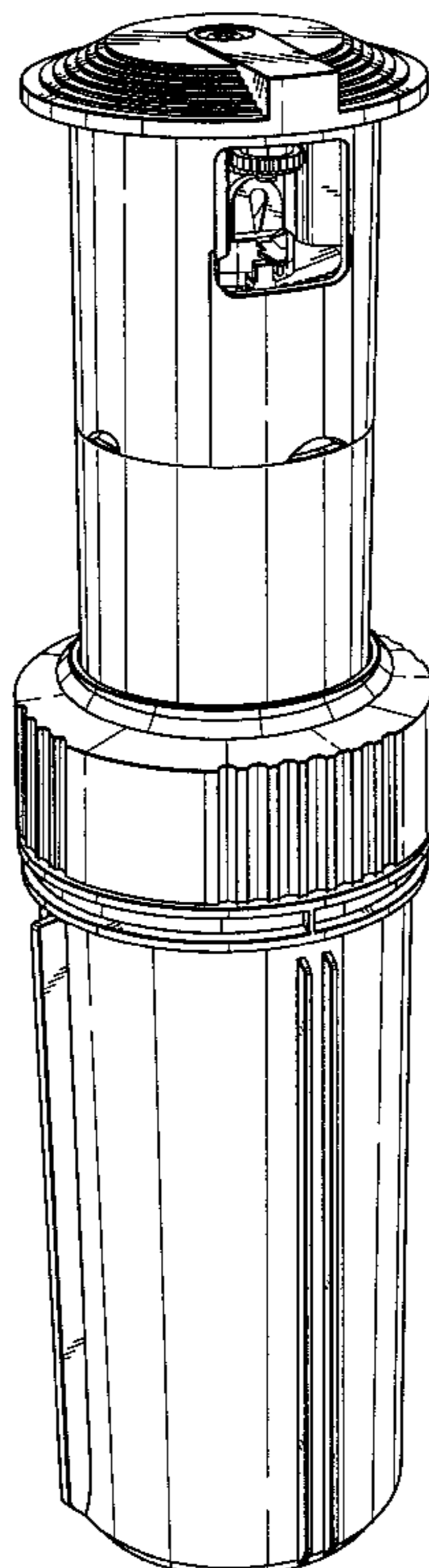


Fig. 1

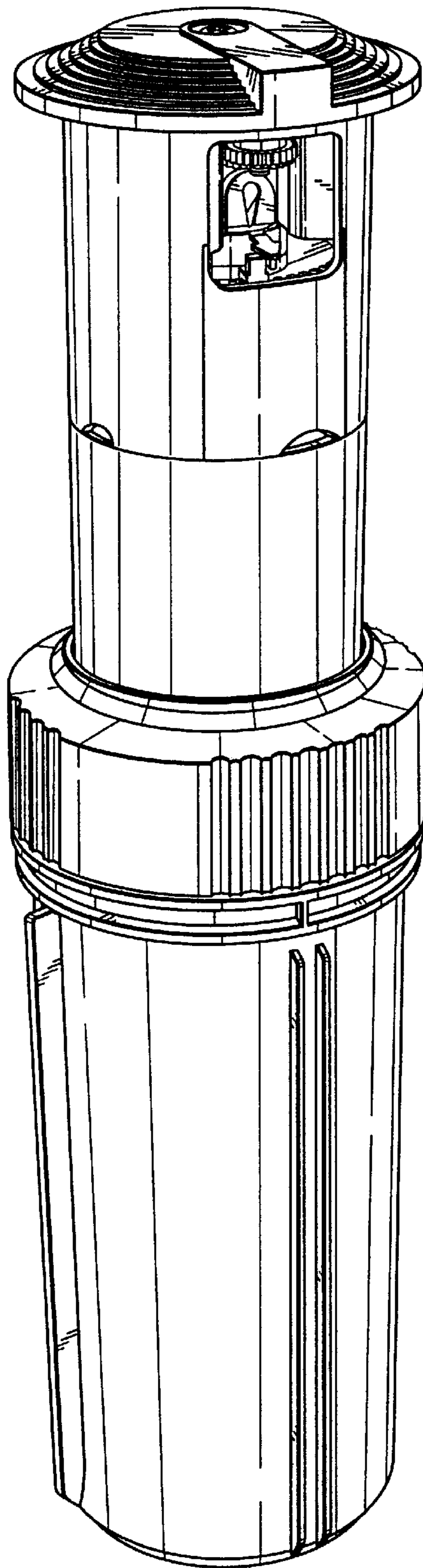
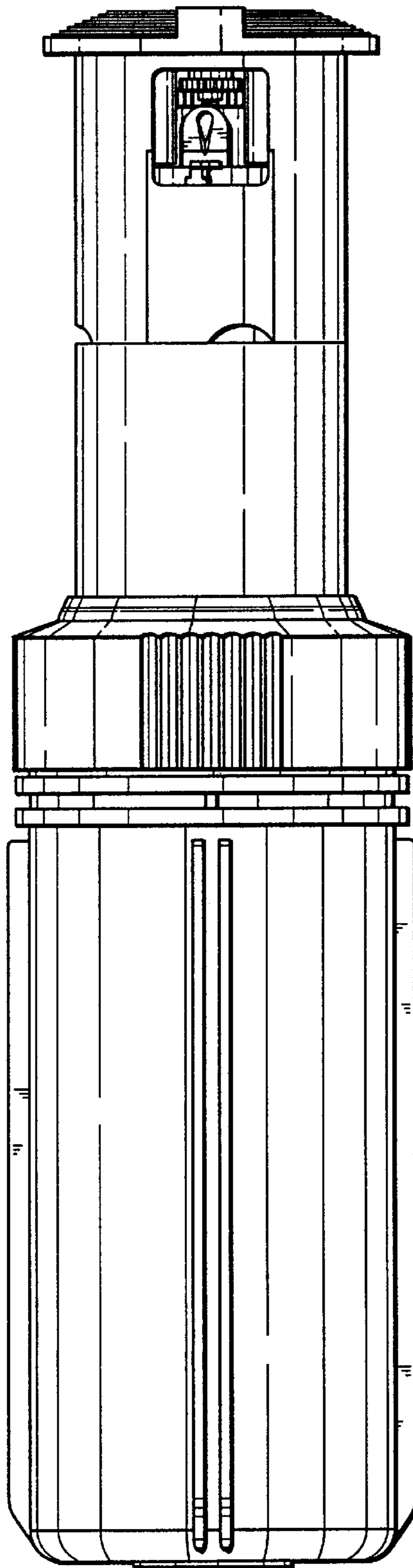
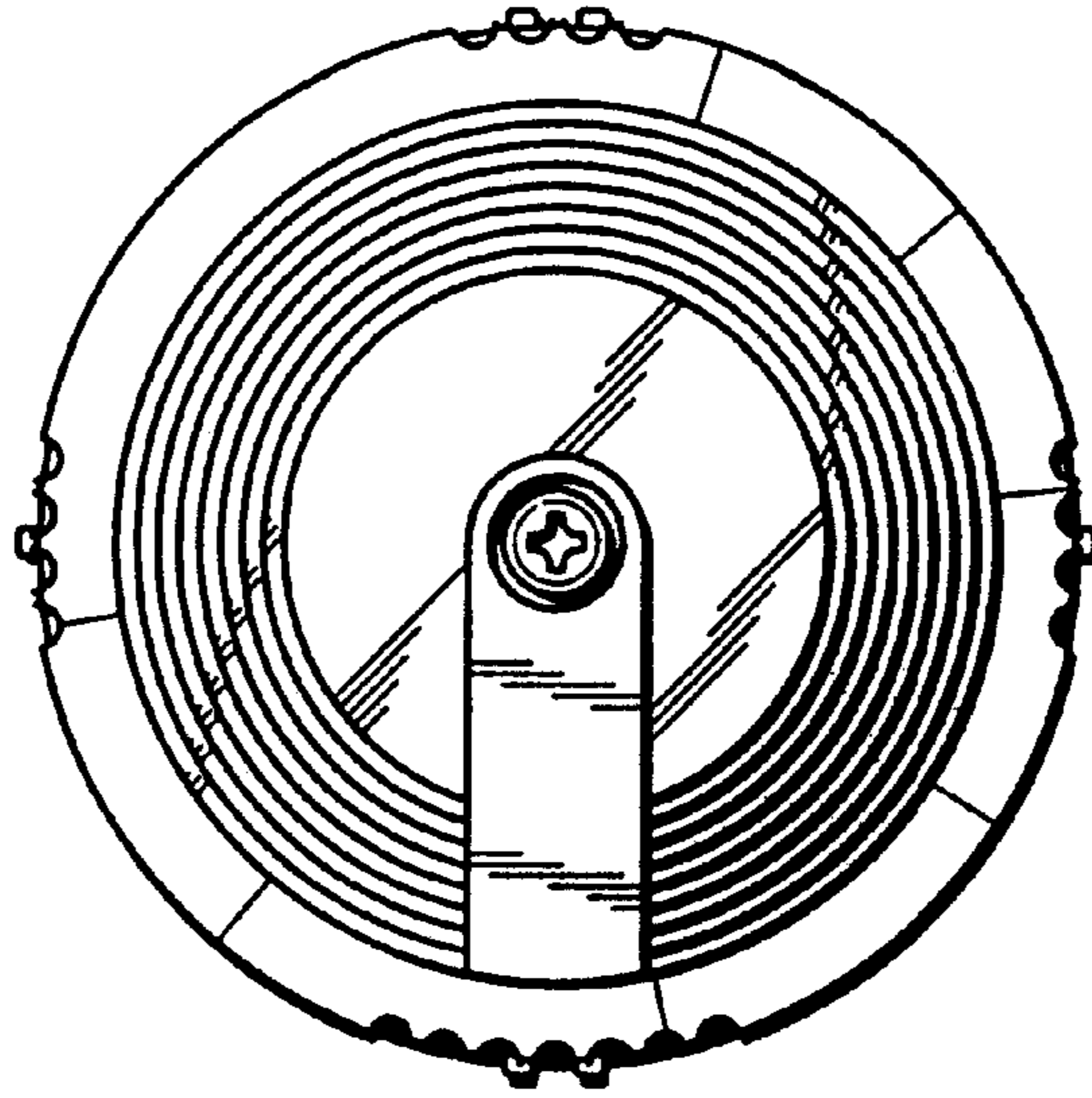


Fig. 2



**Fig. 3**



**Fig. 4**

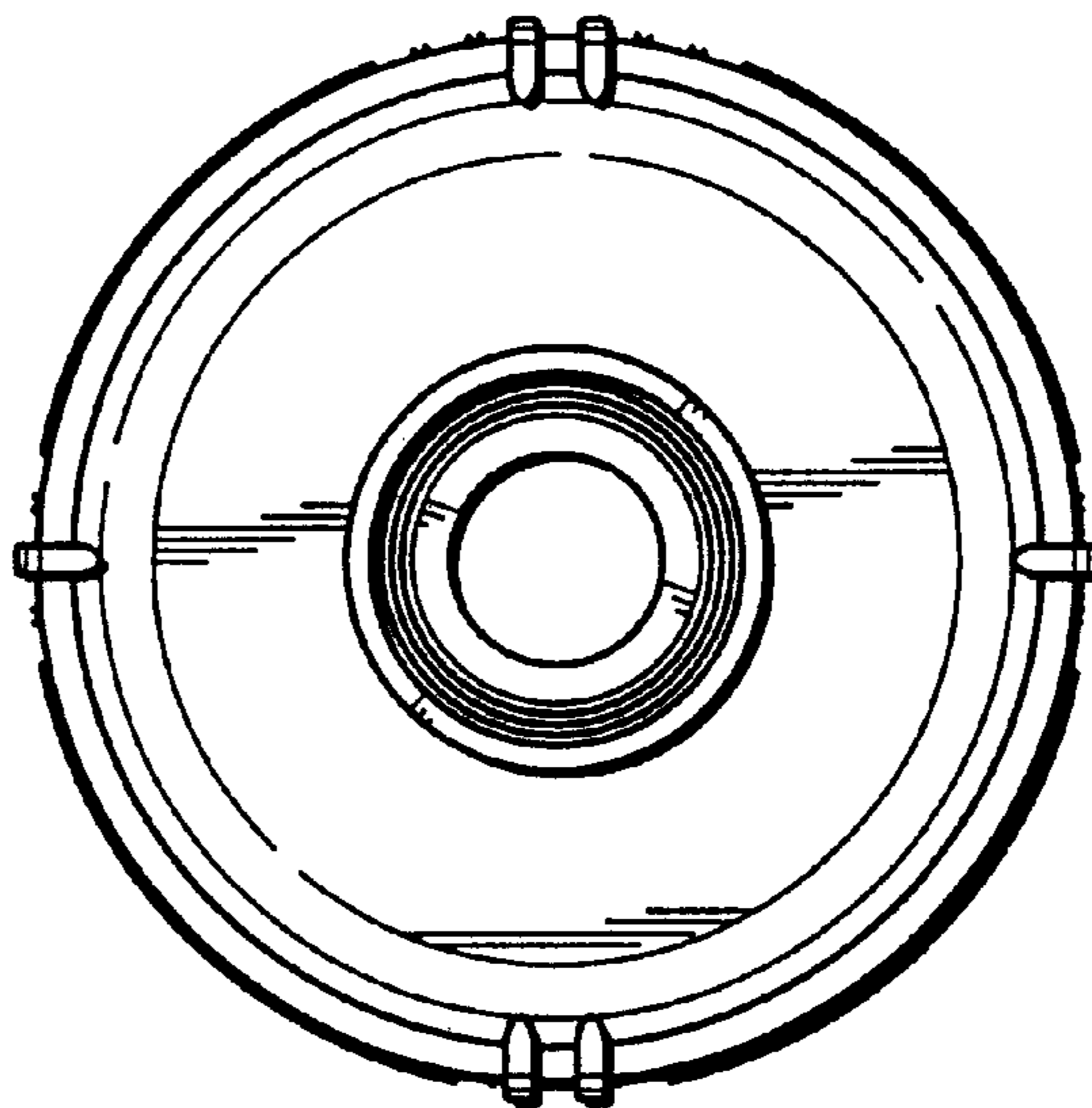


Fig. 5

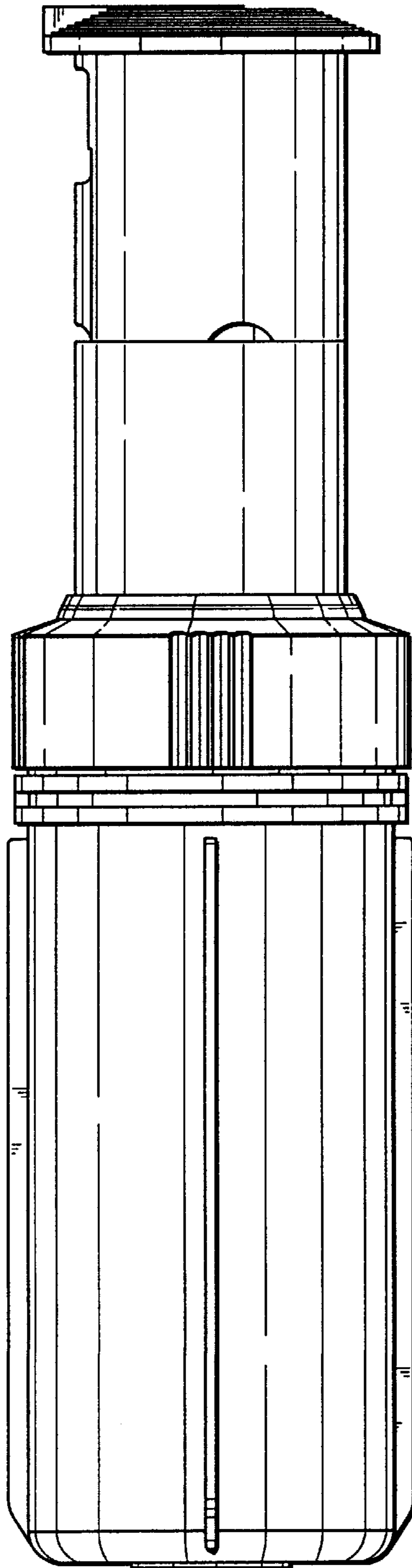


Fig. 6

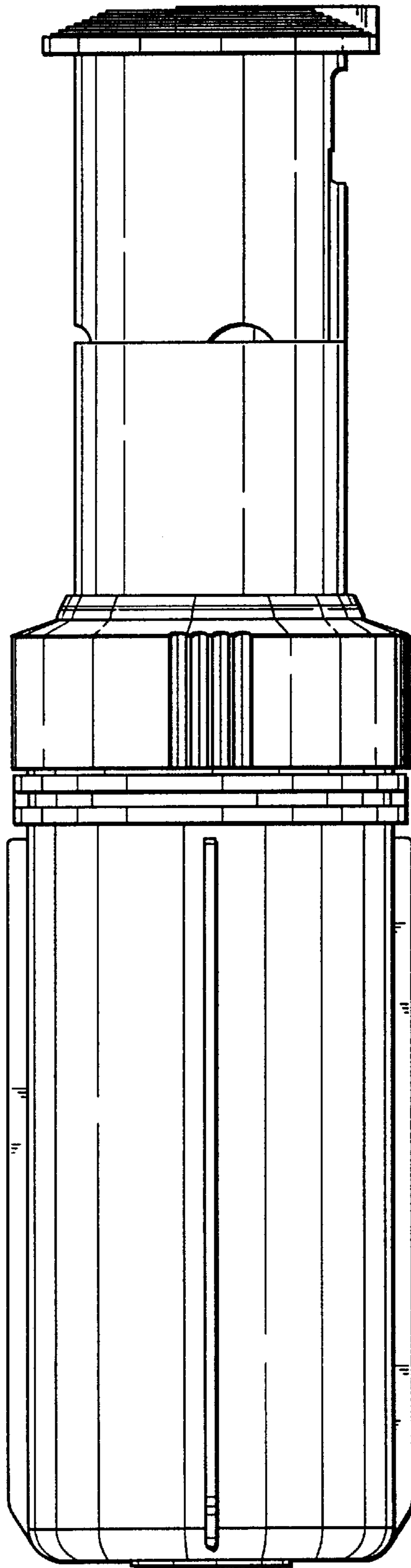


Fig. 7

