



US00D466969S

(12) **United States Design Patent**
Druga

(10) **Patent No.:** **US D466,969 S**

(45) **Date of Patent:** **** Dec. 10, 2002**

(54) **FUEL/WATER SEPARATING FILTER**

D441,422 S * 5/2001 Jensen D23/209

(75) Inventor: **Larry Druga**, Blythewood, SC (US)

* cited by examiner

(73) Assignee: **SPX Corporation**, Charlotte, NC (US)

Primary Examiner—Robin V. Taylor

(**) Term: **14 Years**

(74) *Attorney, Agent, or Firm*—Baker & Hostetler LLP

(21) Appl. No.: **29/146,604**

(57) **CLAIM**

(22) Filed: **Aug. 14, 2001**

The ornamental design for a fuel/water separating filter, as shown and described.

(51) **LOC (7) Cl.** **23-01**

(52) **U.S. Cl.** **D23/209**

(58) **Field of Search** D23/207, 209;
210/444, 313

DESCRIPTION

(56) **References Cited**

U.S. PATENT DOCUMENTS

- 5,766,463 A * 6/1998 Janik et al. 210/444
- 5,783,078 A * 7/1998 Roll et al. 210/444
- 6,019,890 A * 2/2000 Janik et al. 210/444

FIG. 1 is a perspective view of a fuel/water separating filter, particularly showing the inventive design thereof;
FIG. 2 is a side elevation view thereof;
FIG. 3 is a top view thereof;
FIG. 4 is a perspective view of an alternate embodiment thereof; and,
FIG. 5 is a side view thereof.

The broken line shown is for illustrative purposes only and forms no part of the claimed design.

1 Claim, 2 Drawing Sheets

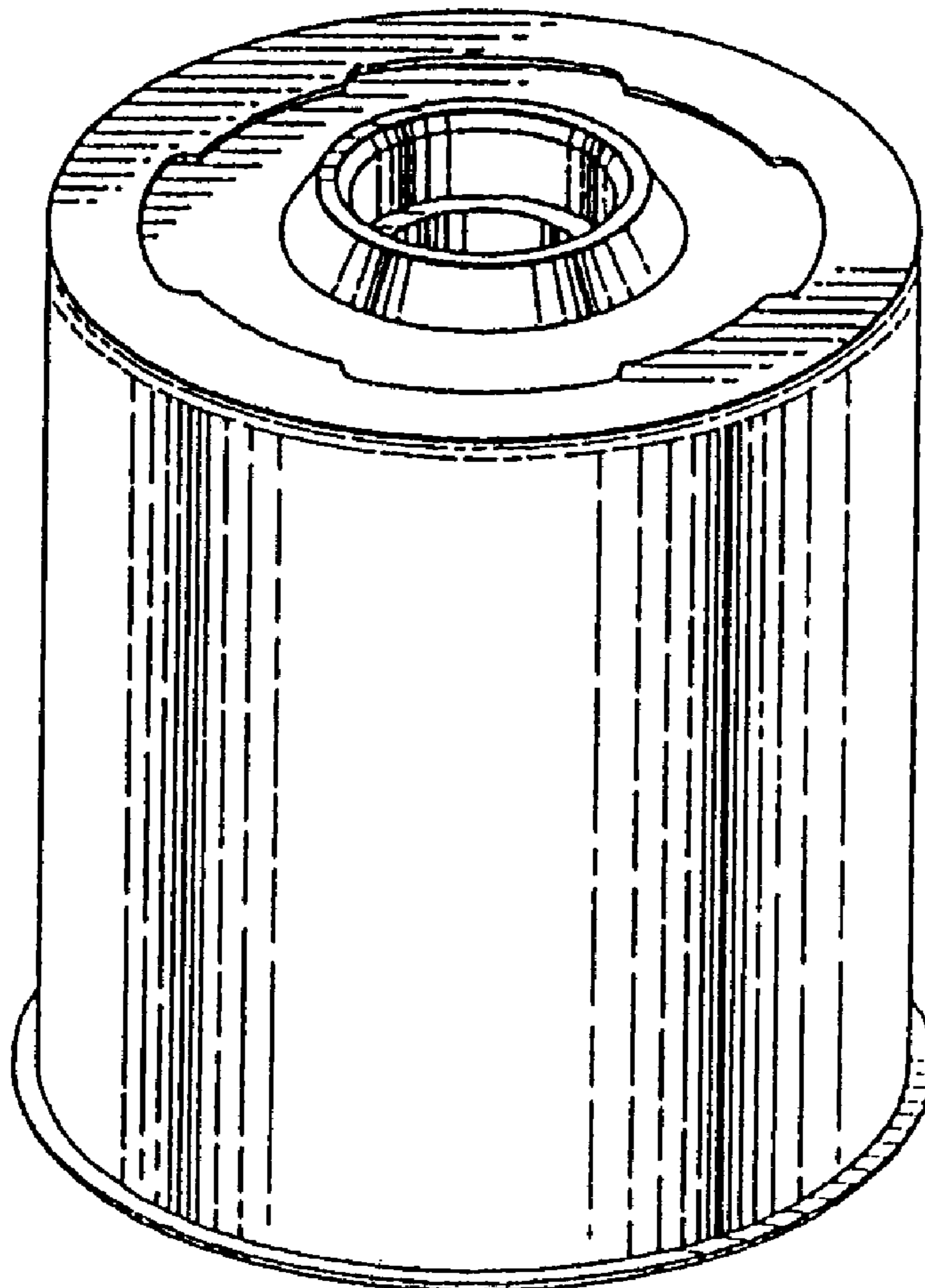


FIG. 1

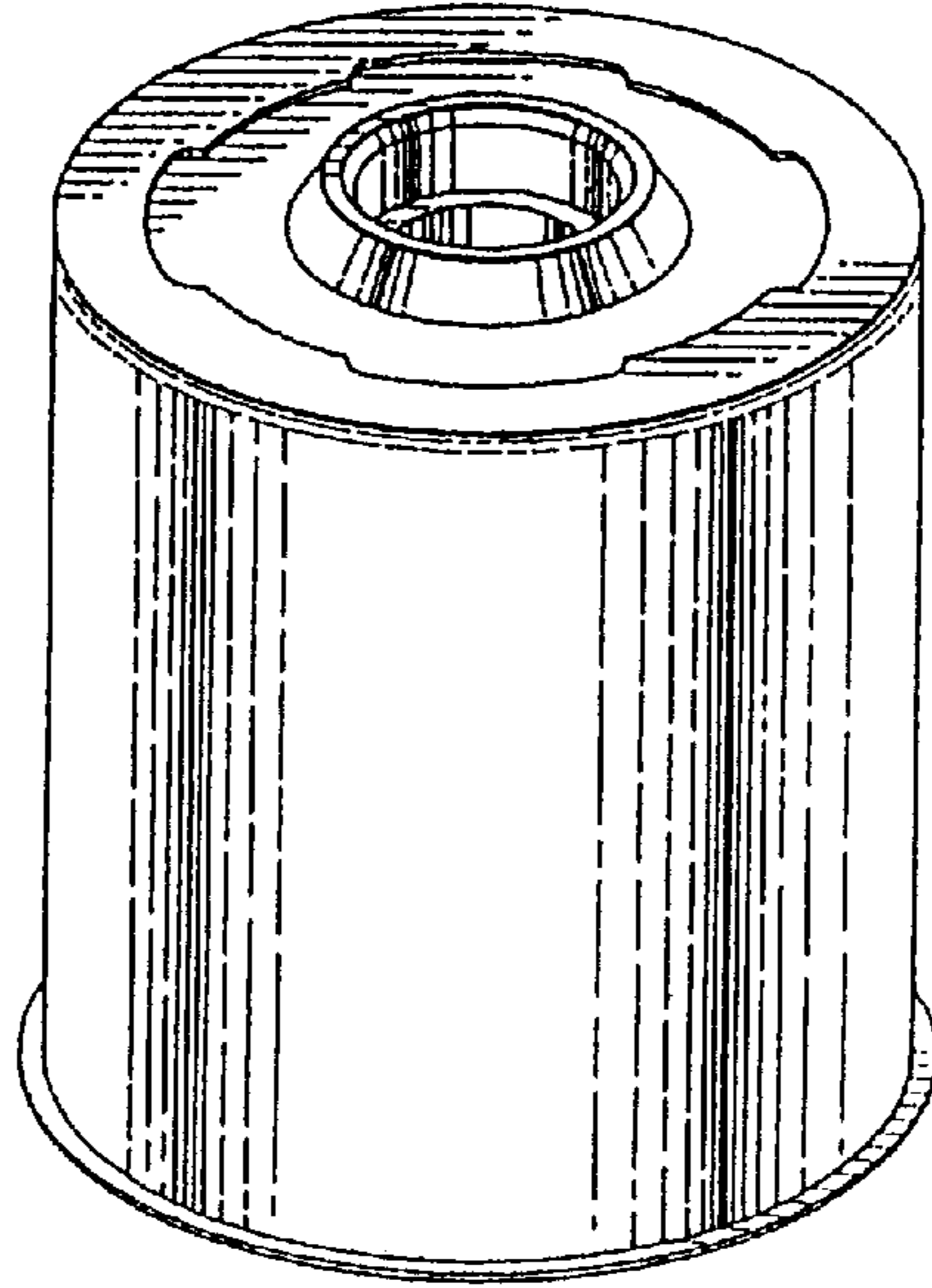


FIG. 2

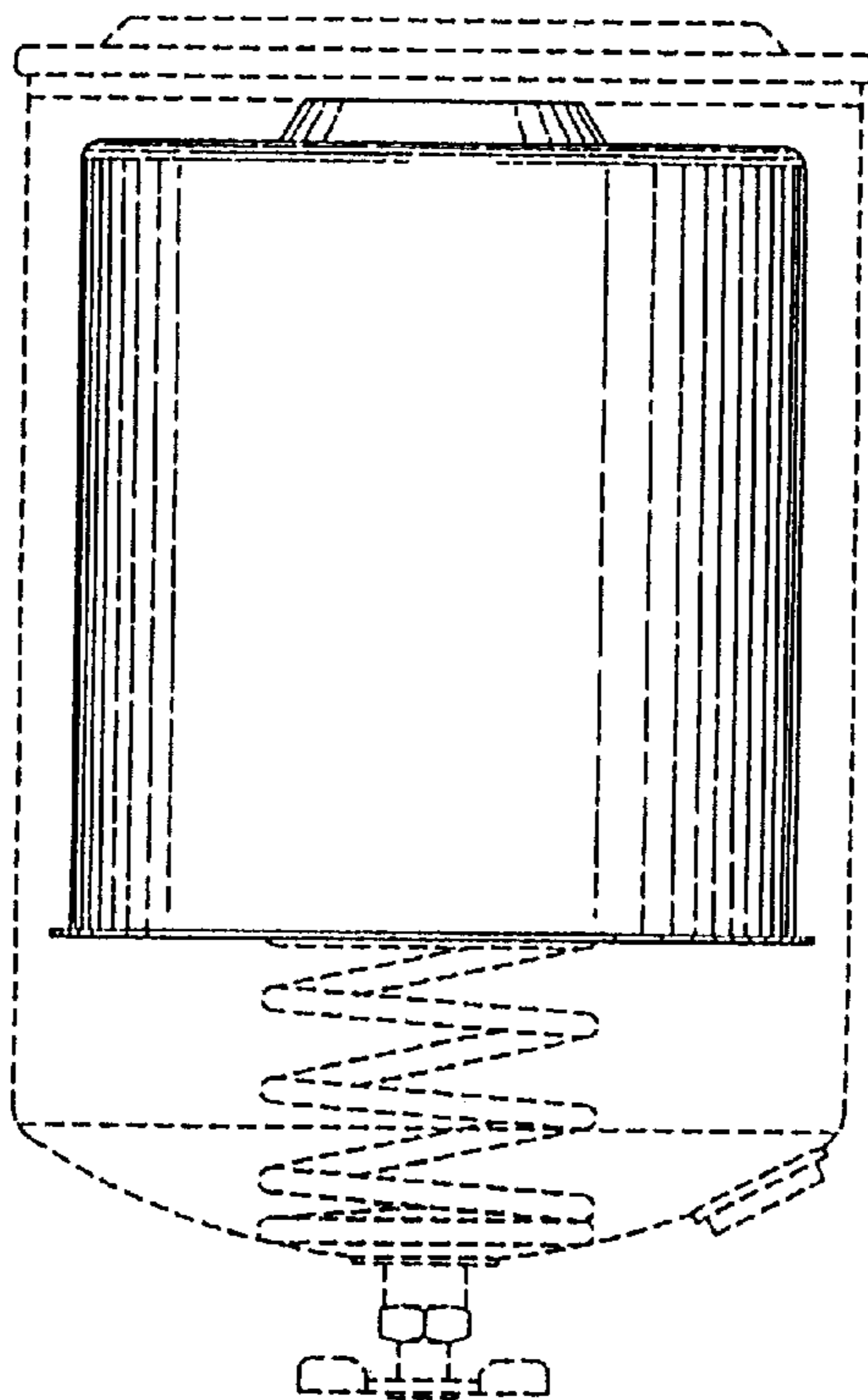


FIG. 3

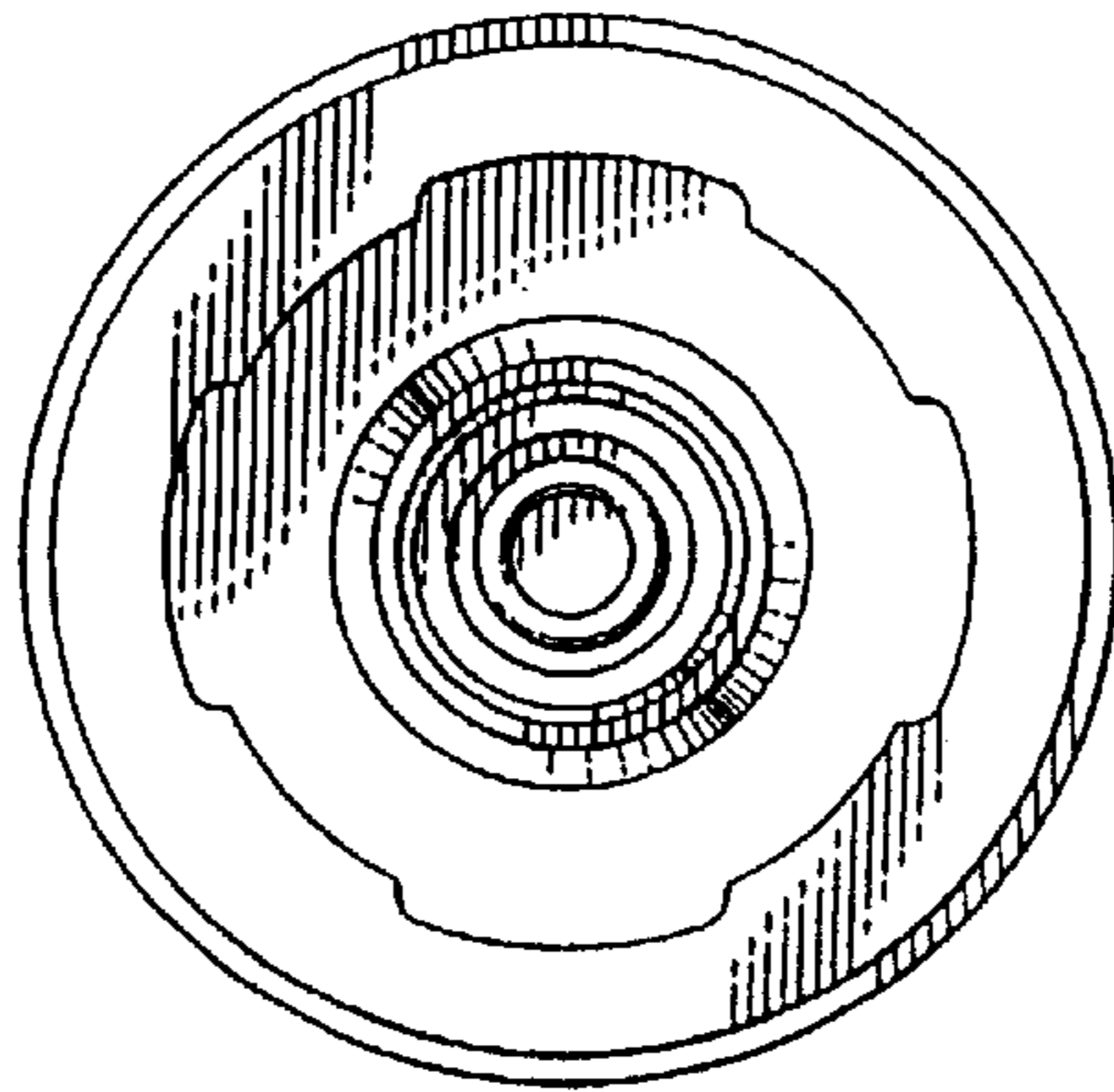


FIG. 4

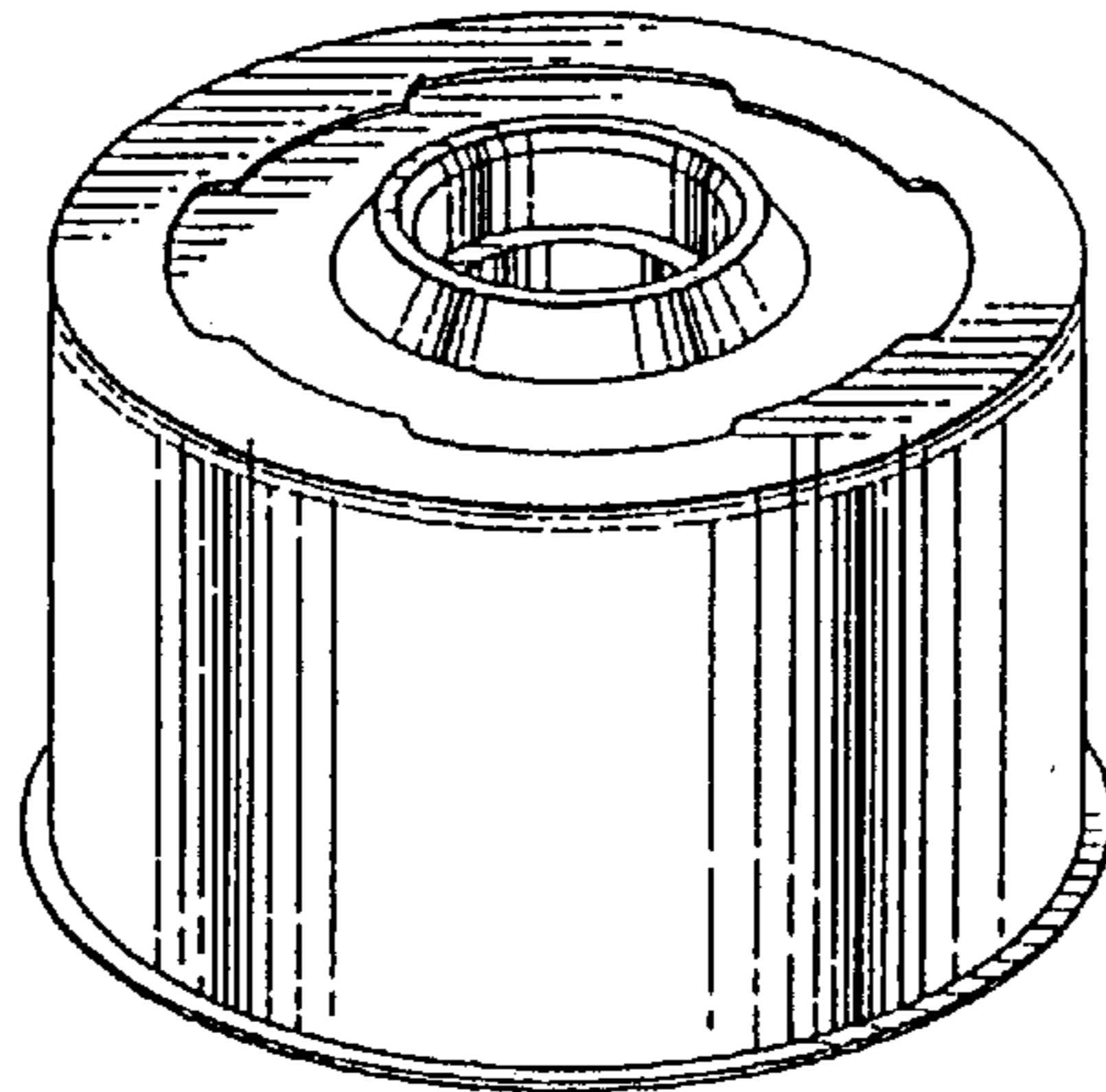


FIG. 5

