



US00D466968S

(12) **United States Design Patent**
Hong

(10) **Patent No.:** **US D466,968 S**

(45) **Date of Patent:** **** Dec. 10, 2002**

(54) **HANDLE FOR A FISHING REEL**

(76) Inventor: **Eugene Hong**, 11F-6, No. 333, Sec. 2,
Hua-Mei W. St., Hsi-Tun Dist.,
Taichung City (TW)

(**) Term: **14 Years**

(21) Appl. No.: **29/154,459**

(22) Filed: **Jan. 23, 2002**

(51) **LOC (7) Cl.** **22-05**

(52) **U.S. Cl.** **D22/140**

(58) **Field of Search** D22/140, 141,
D22/138, 139, 137; 242/310, 311, 312,
314, 323, 233, 223, 283; D8/300-322

(56) **References Cited**

U.S. PATENT DOCUMENTS

D373,404 S	*	9/1996	Atherton et al.	D22/140
D379,917 S	*	6/1997	Yetter et al.	D8/308
D423,634 S	*	4/2000	Tao et al.	D22/140
D447,787 S	*	9/2001	Smith et al.	D22/140
6,364,229 B1	*	4/2002	Kang	242/283

* cited by examiner

Primary Examiner—Catherine R. Oliver

(74) *Attorney, Agent, or Firm*—Brian T. Sattizahn; McNeese
Wallace & Nurick LLC

(57) **CLAIM**

The ornamental design for handle for a fishing reel, as
shown and described.

DESCRIPTION

FIG. 1 is a perspective view of handle for a fishing reel
showing my new design;

FIG. 2 is a front elevational view thereof;

FIG. 3 is a rear elevational view thereof;

FIG. 4 is a left side elevational view thereof;

FIG. 5 is a right side elevational view thereof;

FIG. 6 is a top plan view thereof;

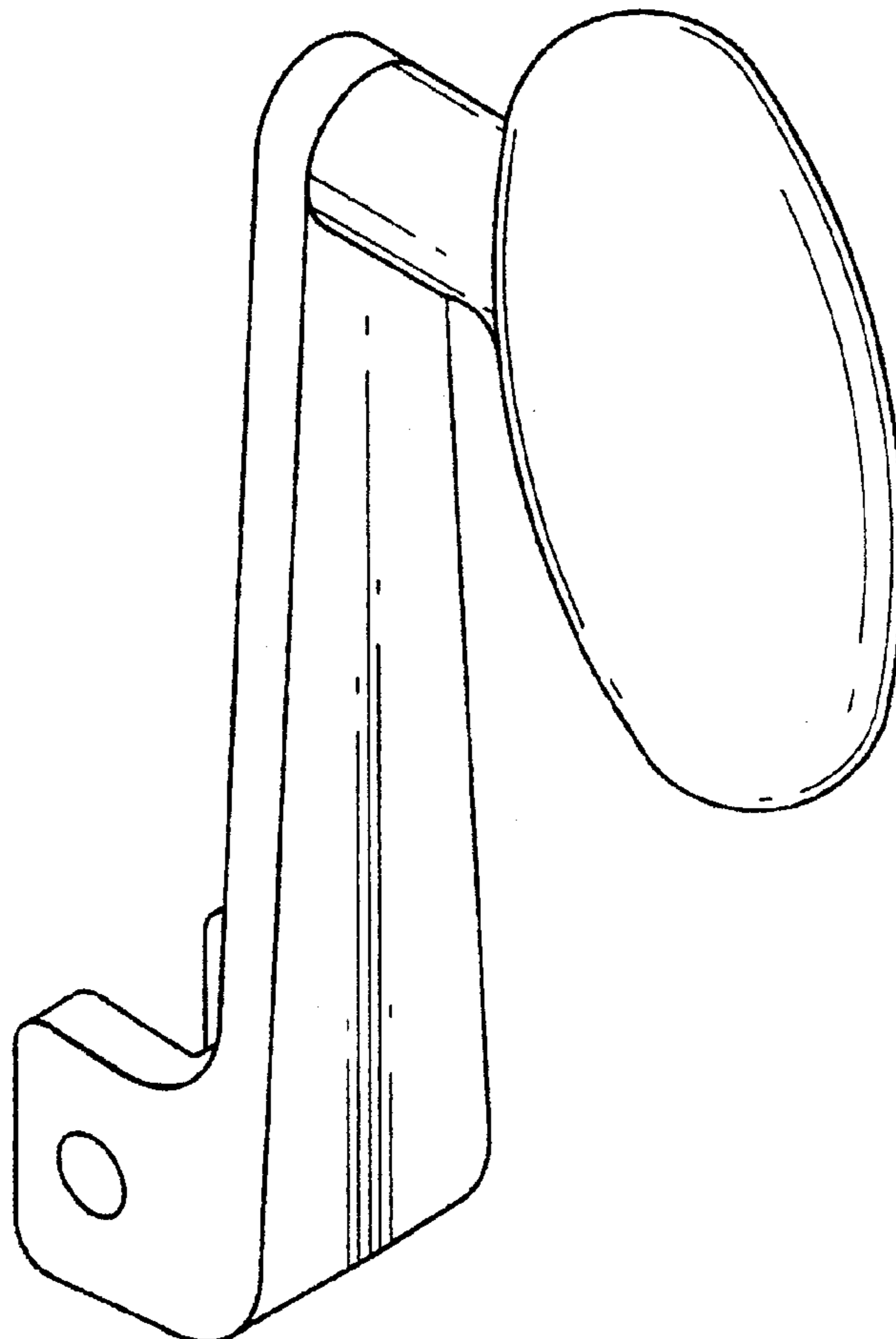
FIG. 7 is a bottom plan view thereof;

FIG. 8 illustrates the design when applied to a fishing reel;
and,

FIG. 9 illustrates the design when applied to another fishing
reel.

The broken line showing of environment in FIGS. 8 and 9
is for illustrative purposes only and forms no part of the
claimed design.

1 Claim, 6 Drawing Sheets



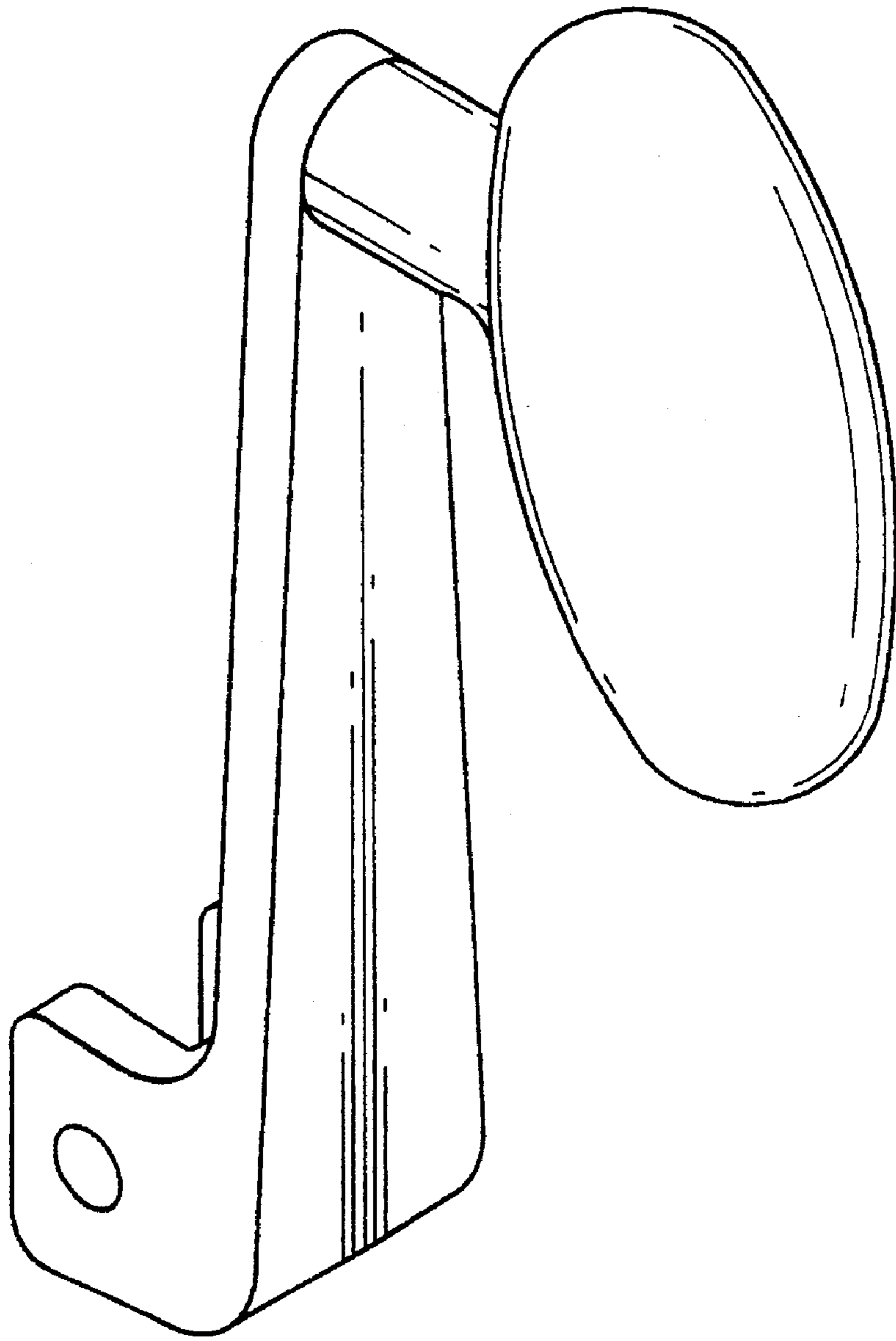


FIG. 1

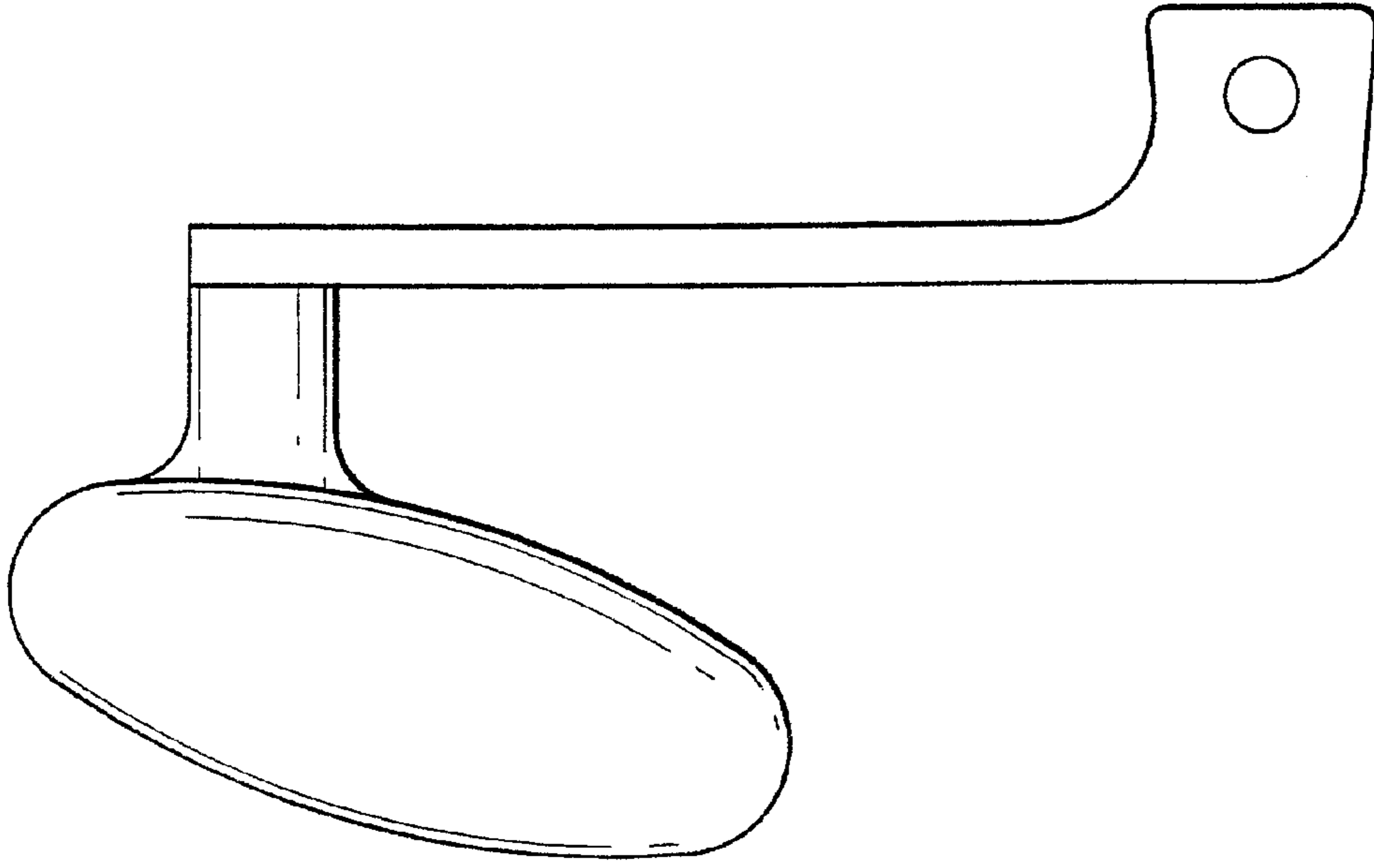


FIG. 3

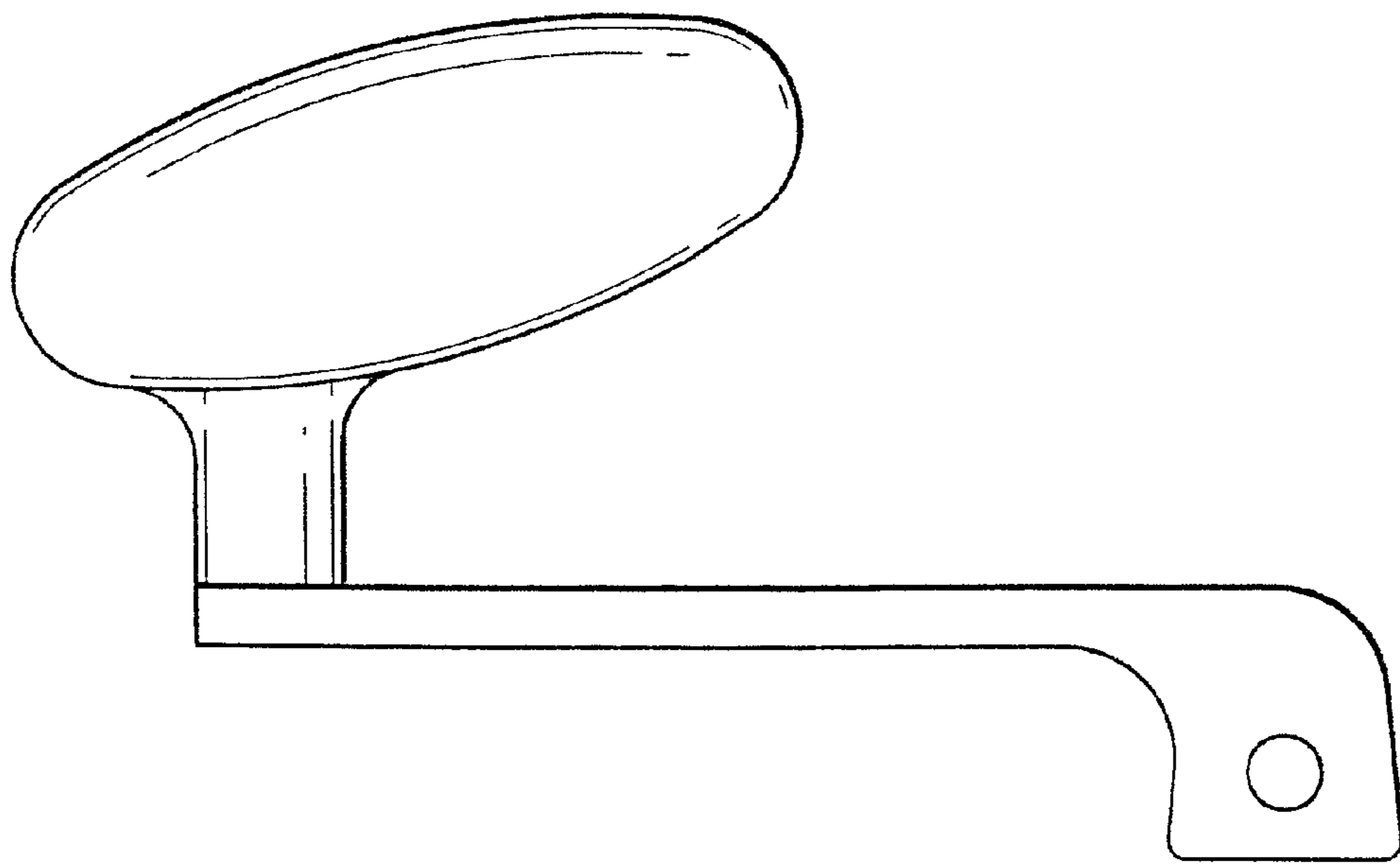


FIG. 2

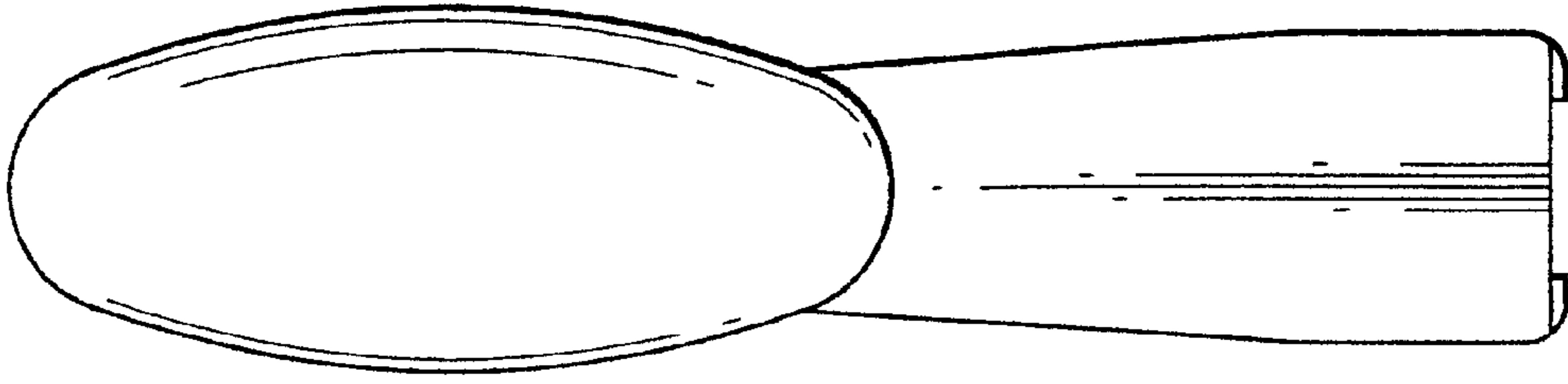


FIG. 5

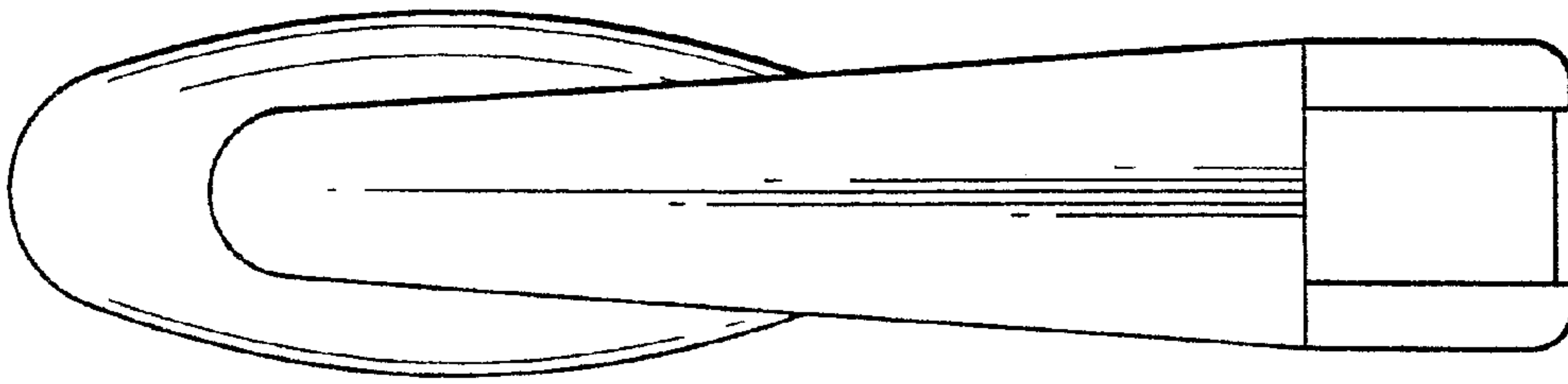


FIG. 4

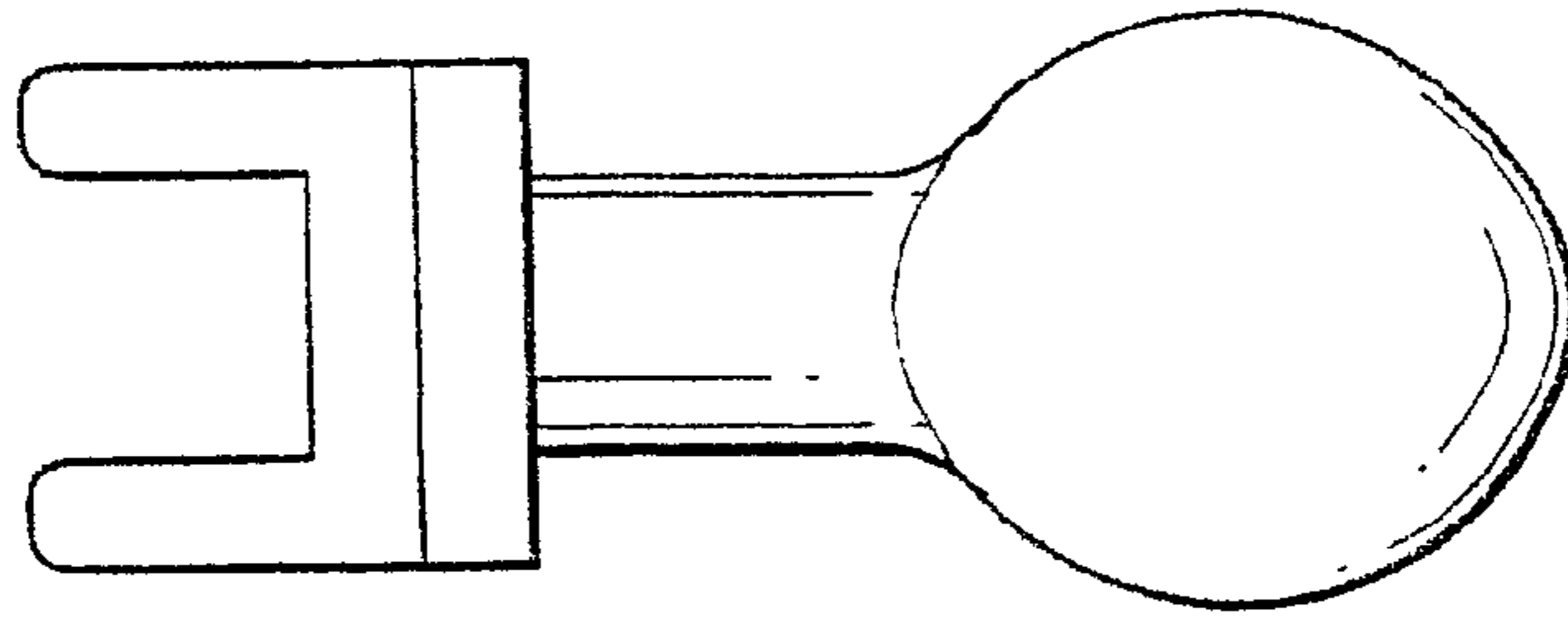


FIG. 6

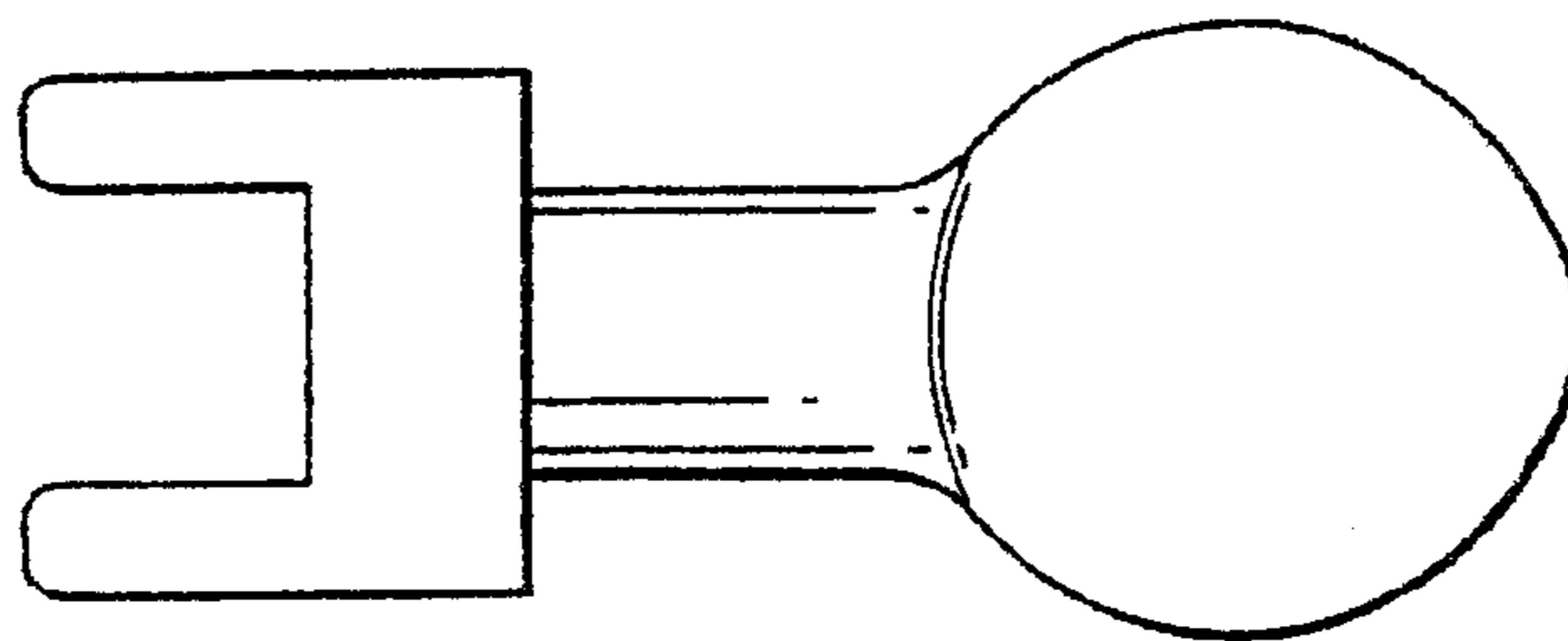


FIG. 7

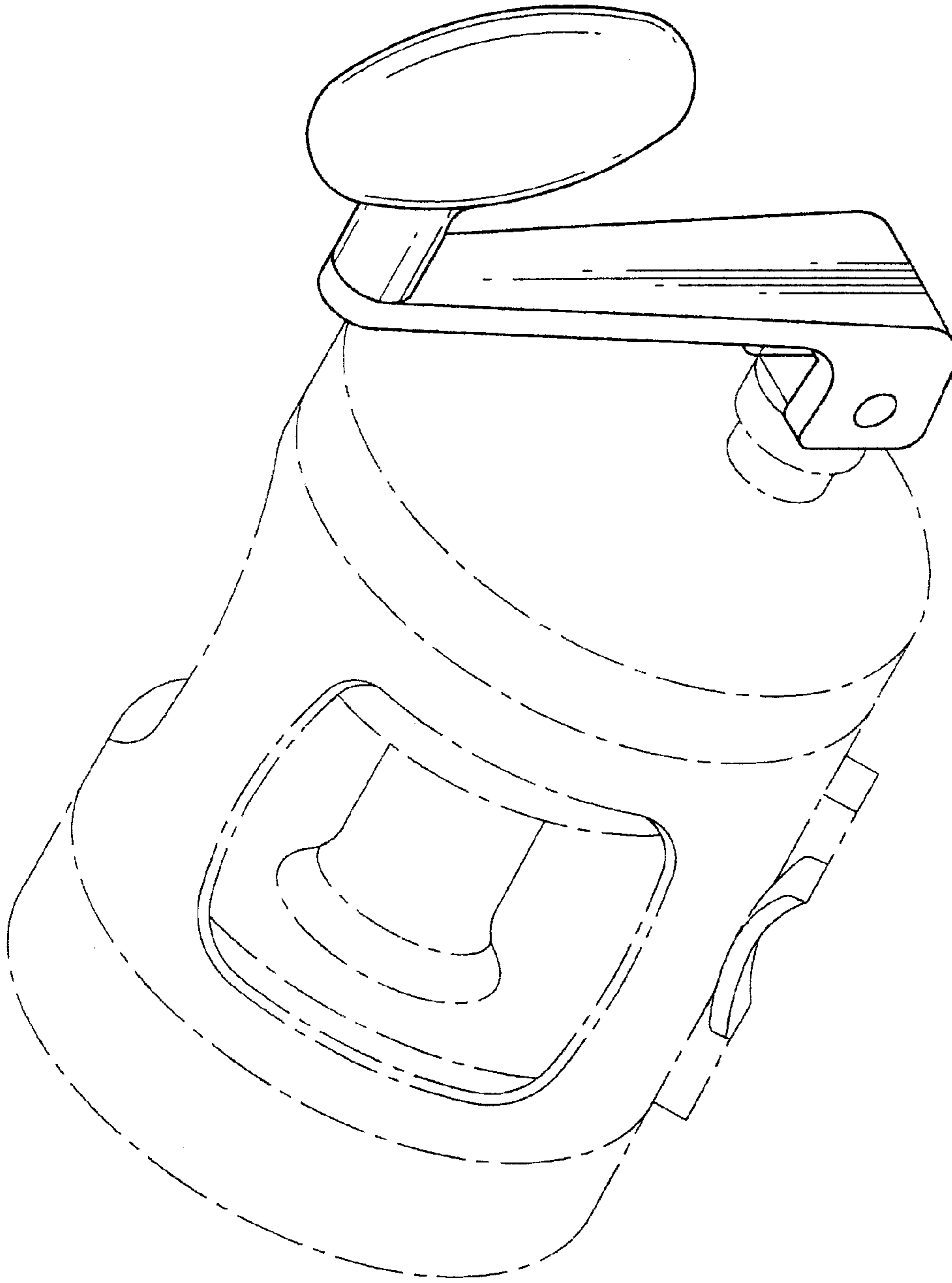


FIG. 8

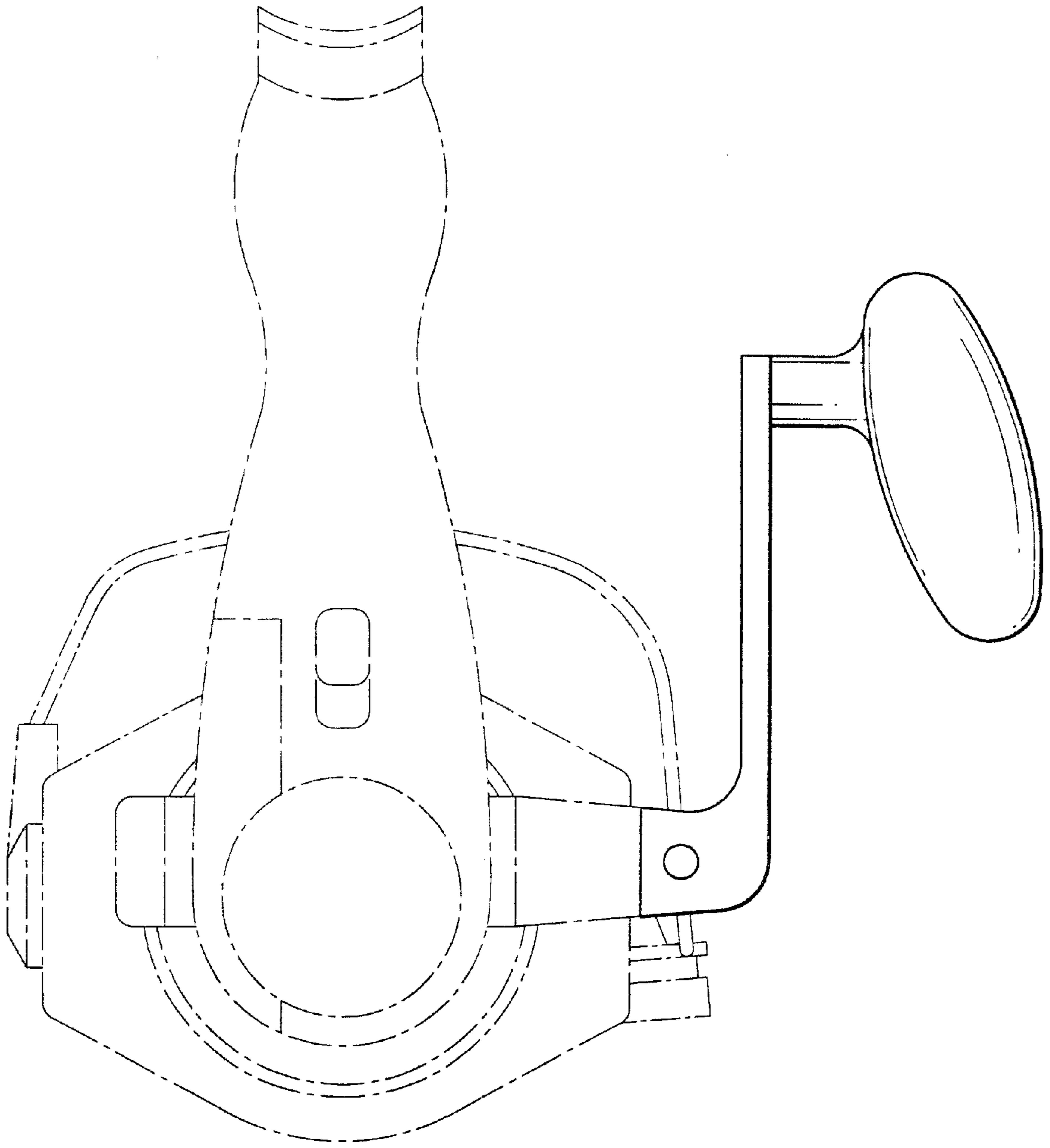


FIG. 9