



US00D466963S

(12) **United States Design Patent**
Forrest

(10) **Patent No.:** **US D466,963 S**

(45) **Date of Patent:** **** Dec. 10, 2002**

(54) **POP-UP TACKLING PRACTICE MACHINE**

5,090,696 A * 2/1992 Forrest, Sr. 473/444
6,261,194 B1 * 7/2001 Hadar et al. 473/441

(76) Inventor: **Charles P. Forrest**, P.O. Box 579,
Stapleton, AL (US) 36578

* cited by examiner

(**) Term: **14 Years**

Primary Examiner—Dominic Simone
(74) *Attorney, Agent, or Firm*—H. Jay Spiegel

(21) Appl. No.: **29/143,012**

(57) **CLAIM**

(22) Filed: **Jun. 7, 2001**

The ornamental design for a pop-up tackling practice machine, as shown and described.

(51) **LOC (7) Cl.** **21-02**

(52) **U.S. Cl.** **D21/788**

(58) **Field of Search** D21/698, 788;
473/441, 444

DESCRIPTION

FIG. 1 is a top, perspective view of a pop-up tackling practice machine showing my new design;
FIG. 2 shows a bottom perspective view thereof.
FIG. 3 shows a front view thereof.
FIG. 4 shows a rear view thereof.
FIG. 5 shows a right side view thereof; and,
FIG. 6 shows a left side view thereof.

(56) **References Cited**

U.S. PATENT DOCUMENTS

1,287,176 A * 12/1918 Armstrong 473/444
D217,482 S * 5/1970 Pray D21/788
D233,219 S * 10/1974 O'Donnell D21/788
4,934,938 A * 6/1990 Orlandi et al. 473/444

1 Claim, 3 Drawing Sheets

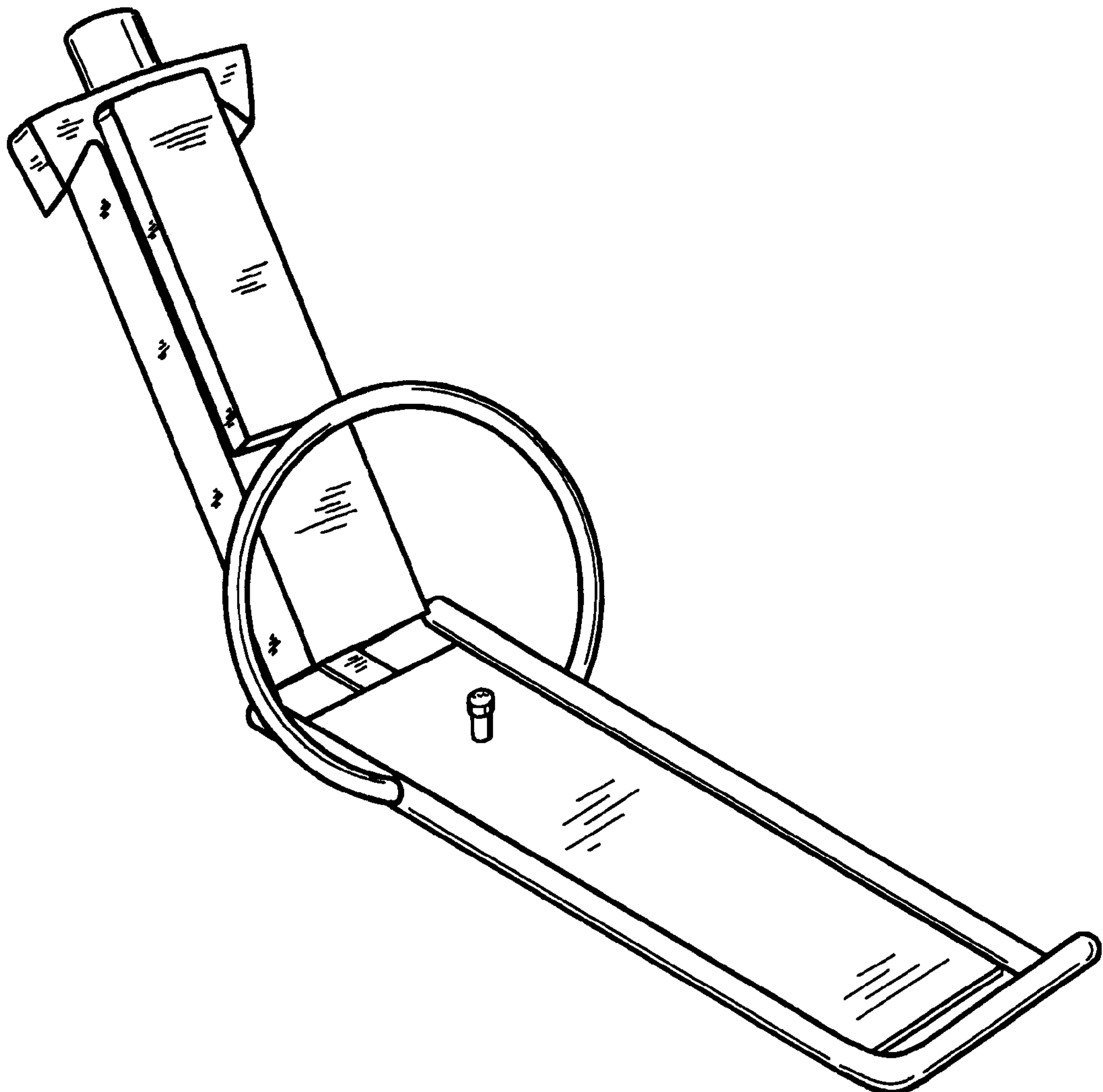


FIG. 1

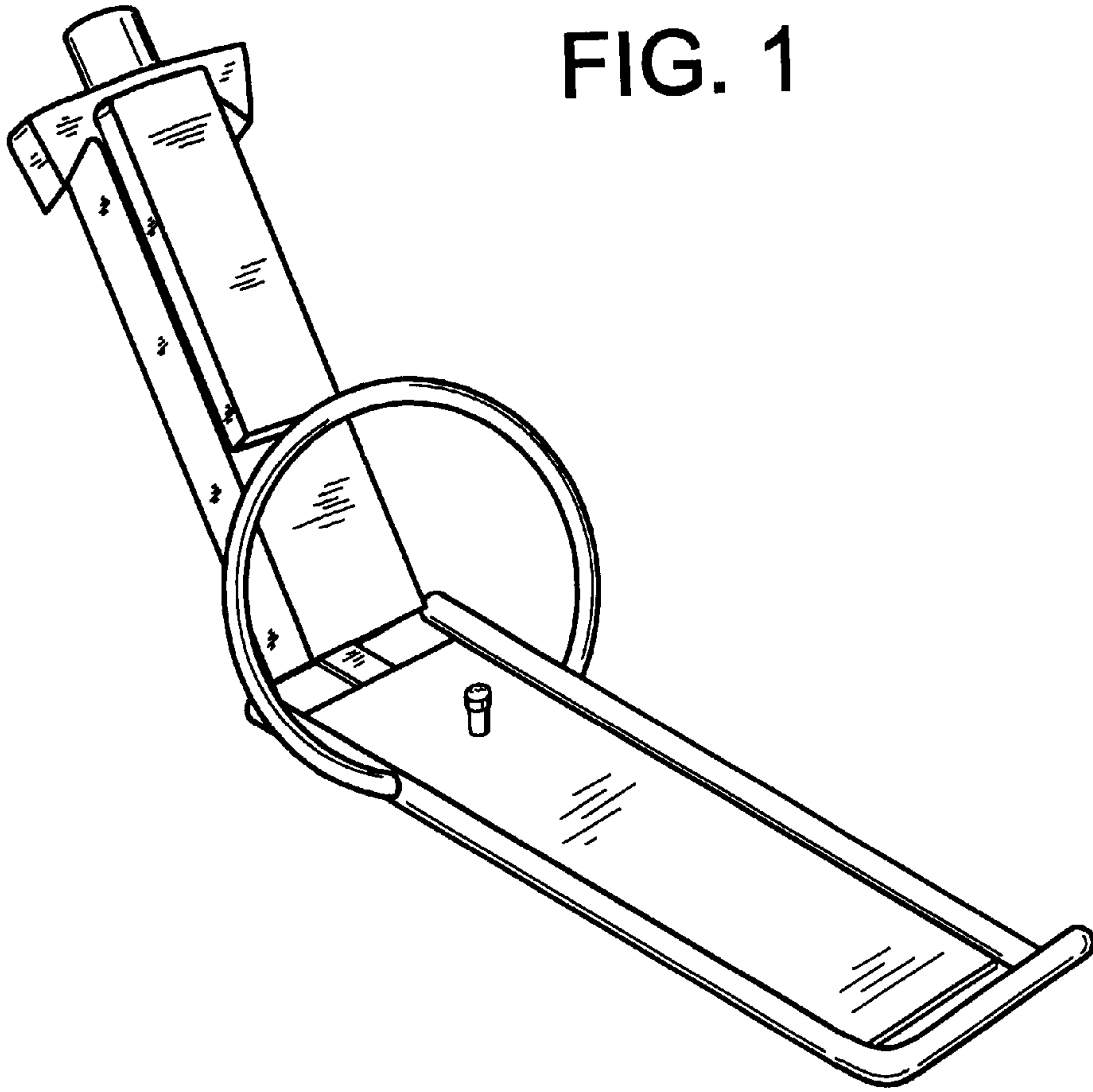


FIG. 2

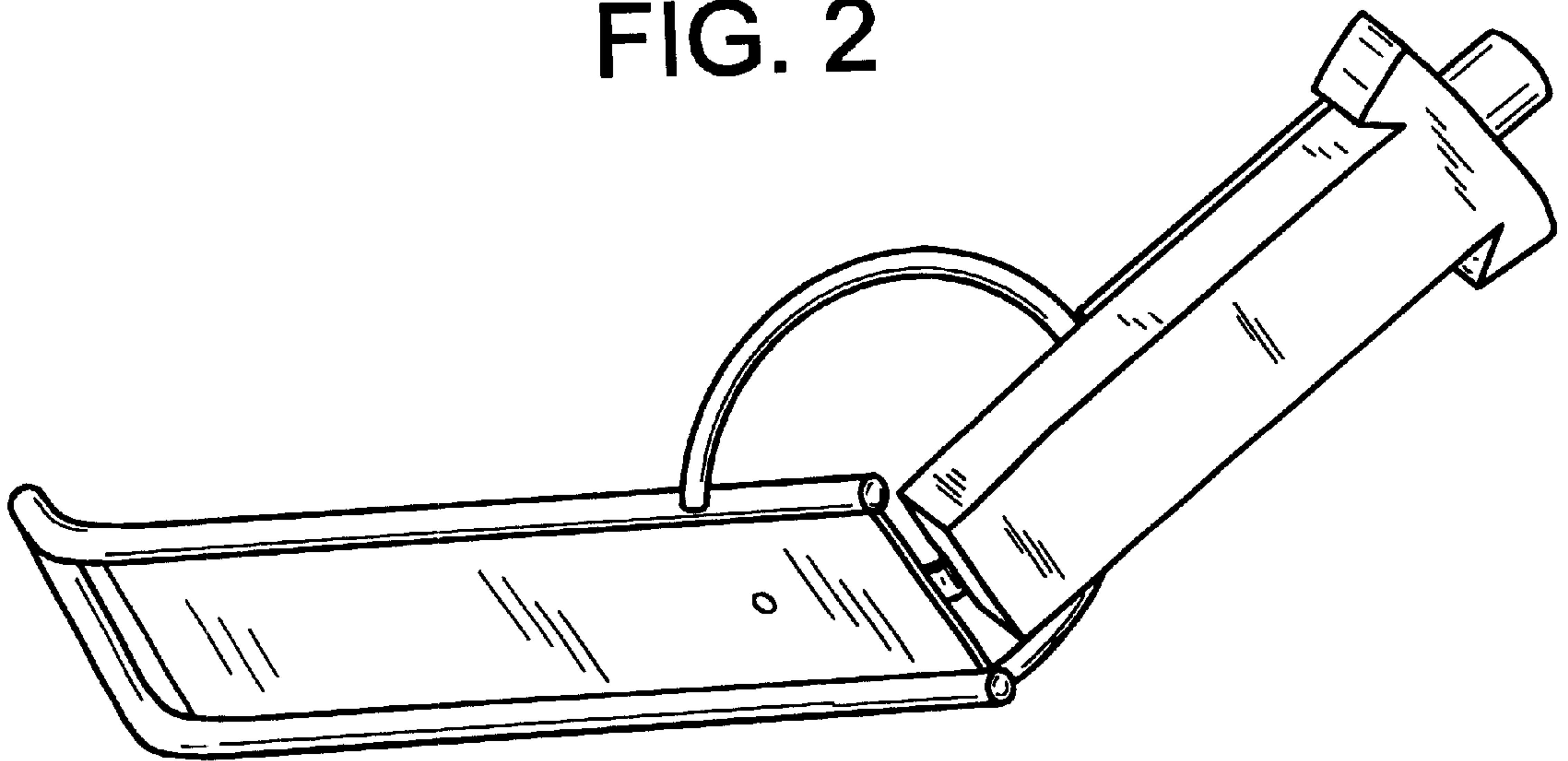


FIG. 3

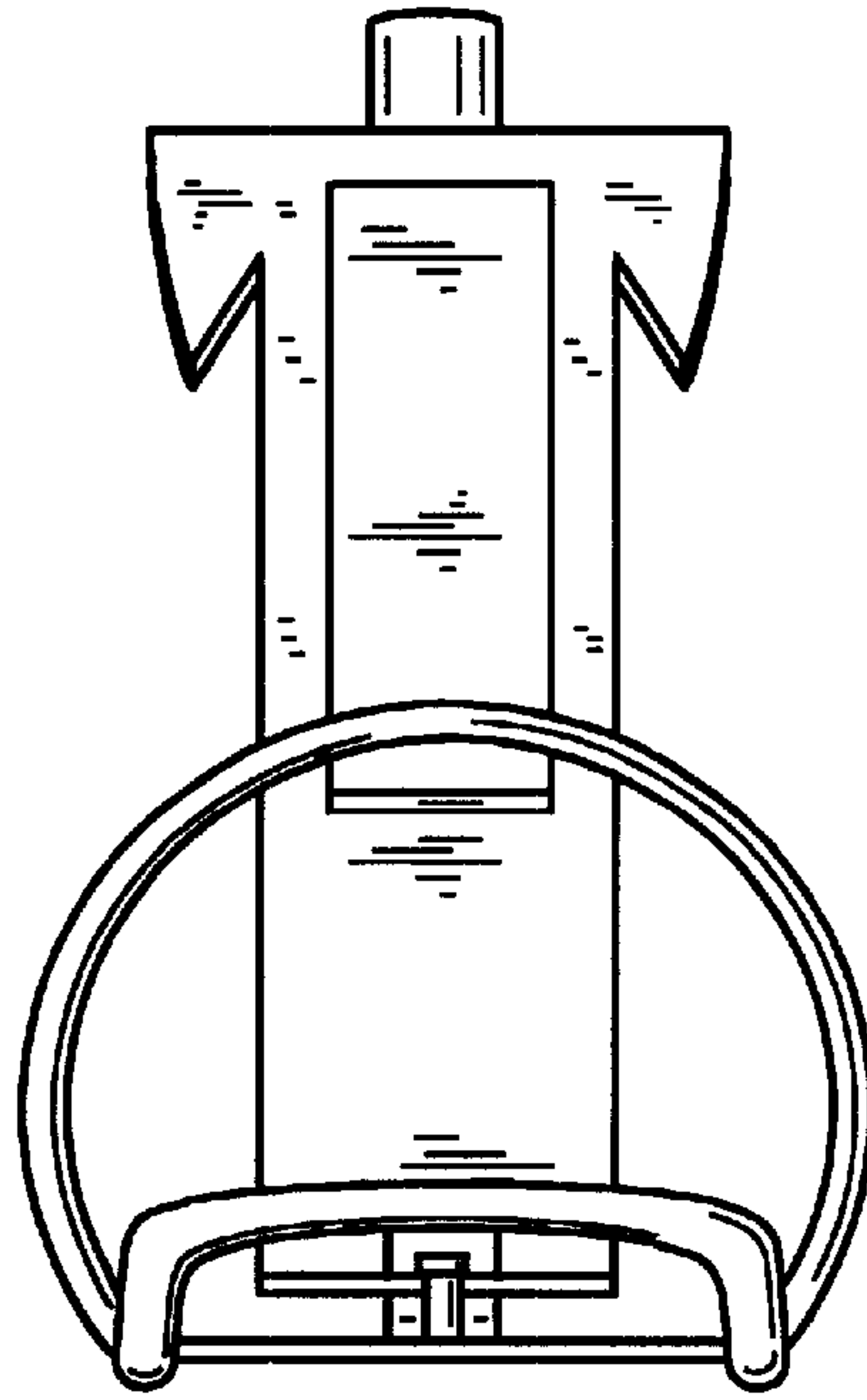


FIG. 4

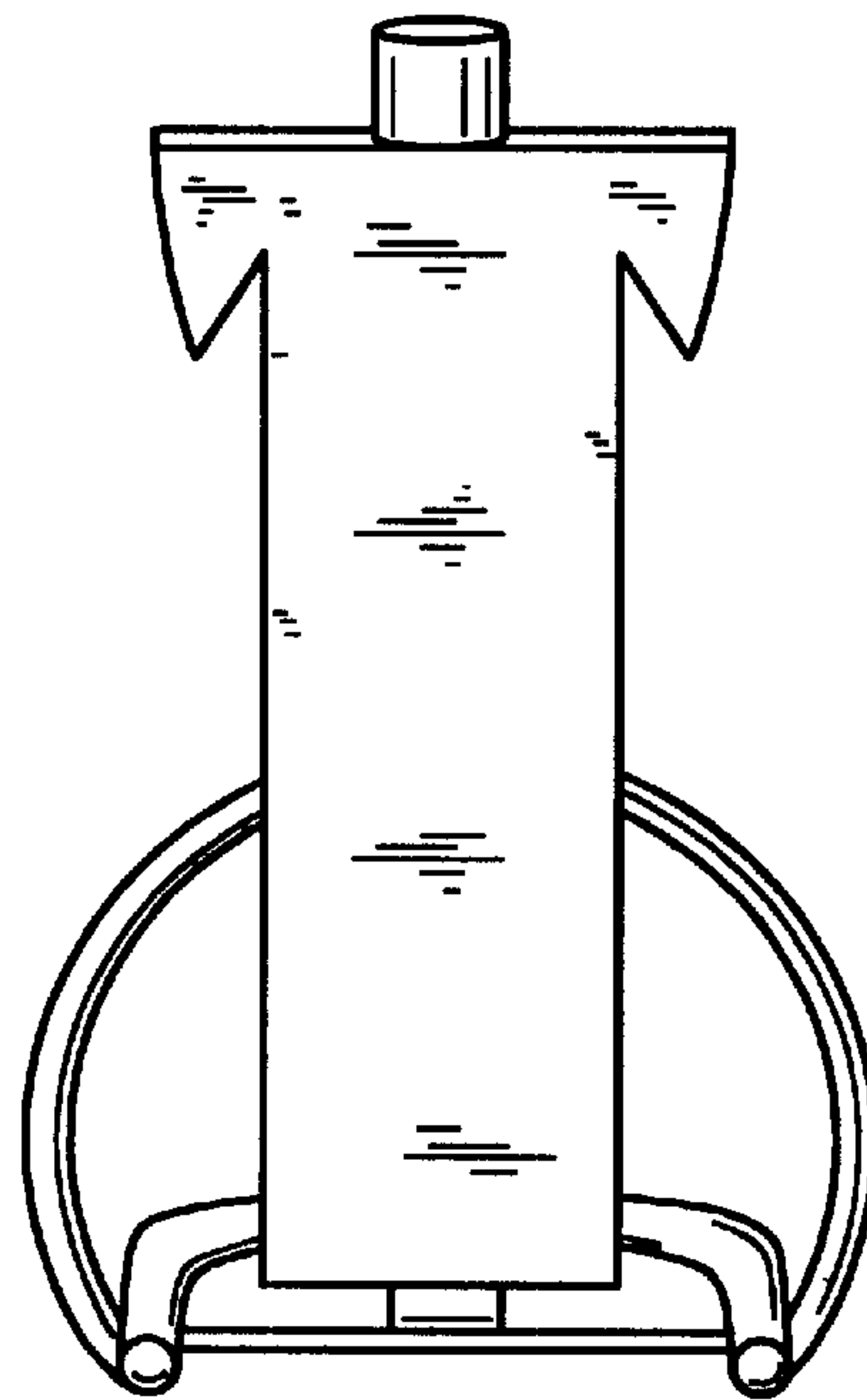


FIG. 5

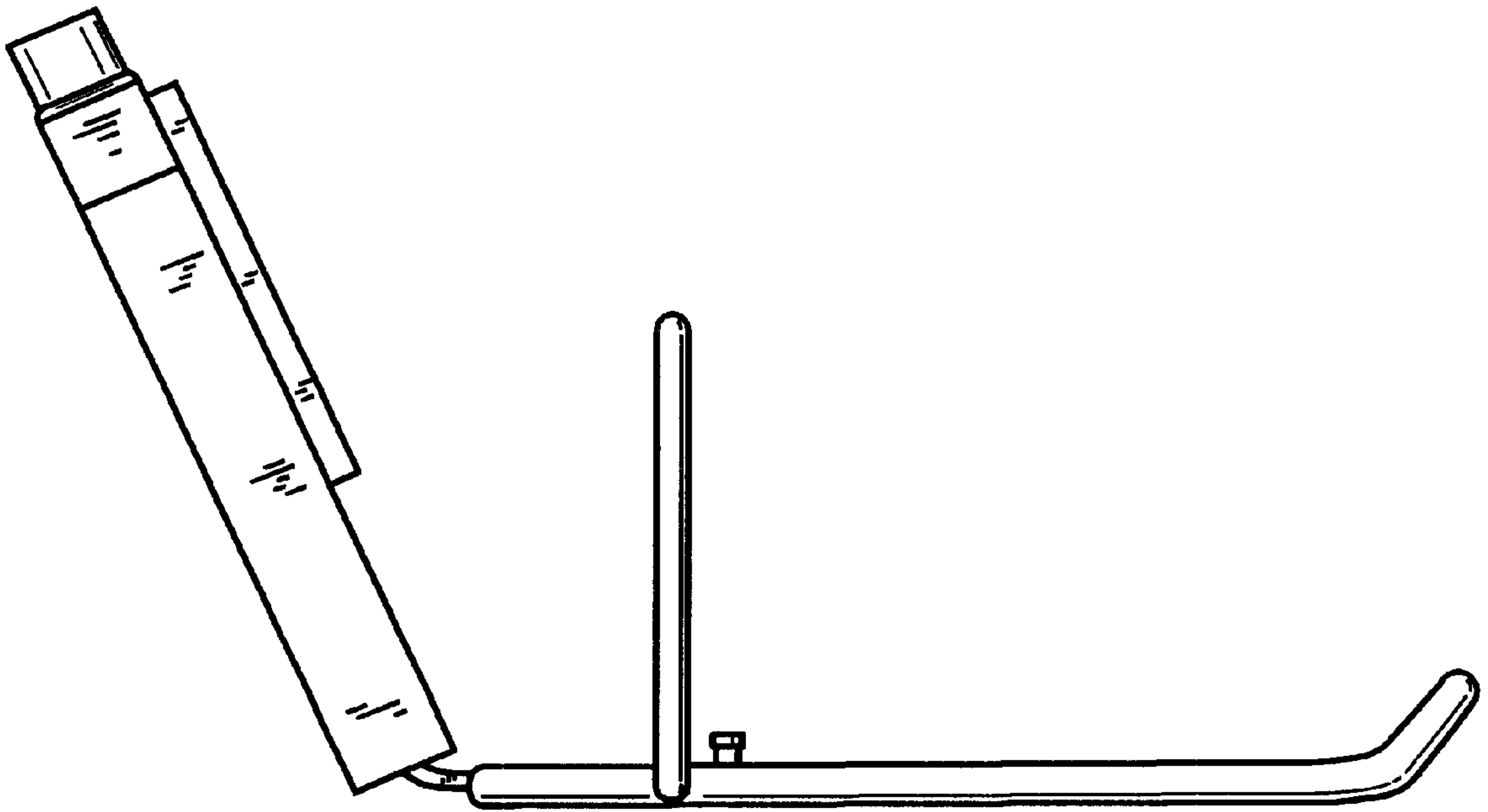


FIG. 6

