



US00D466961S

(12) **United States Design Patent**
Nagai et al.

(10) **Patent No.:** **US D466,961 S**

(45) **Date of Patent:** **** Dec. 10, 2002**

(54) **BACK OF A GOLF CLUB HEAD**

FOREIGN PATENT DOCUMENTS

(75) Inventors: **Masao Nagai**, Duluth, GA (US); **David Llewellyn**, Duluth, GA (US)

JP 1062791 * 3/2000

* cited by examiner

(73) Assignee: **Mizuno Corporation**, Norcross, GA (US)

Primary Examiner—Mitchell Siegel

(74) *Attorney, Agent, or Firm*—Troutman Sanders LLP; Gerald R. Boss

(**) Term: **14 Years**

(57) **CLAIM**

(21) Appl. No.: **29/150,532**

The ornamental design for the back of a golf club head, as shown and described.

(22) Filed: **Nov. 6, 2001**

(51) **LOC (7) Cl.** **21-02**

(52) **U.S. Cl.** **D21/759**

(58) **Field of Search** D21/747-751,
D21/795; 473/324, 327-331, 350

DESCRIPTION

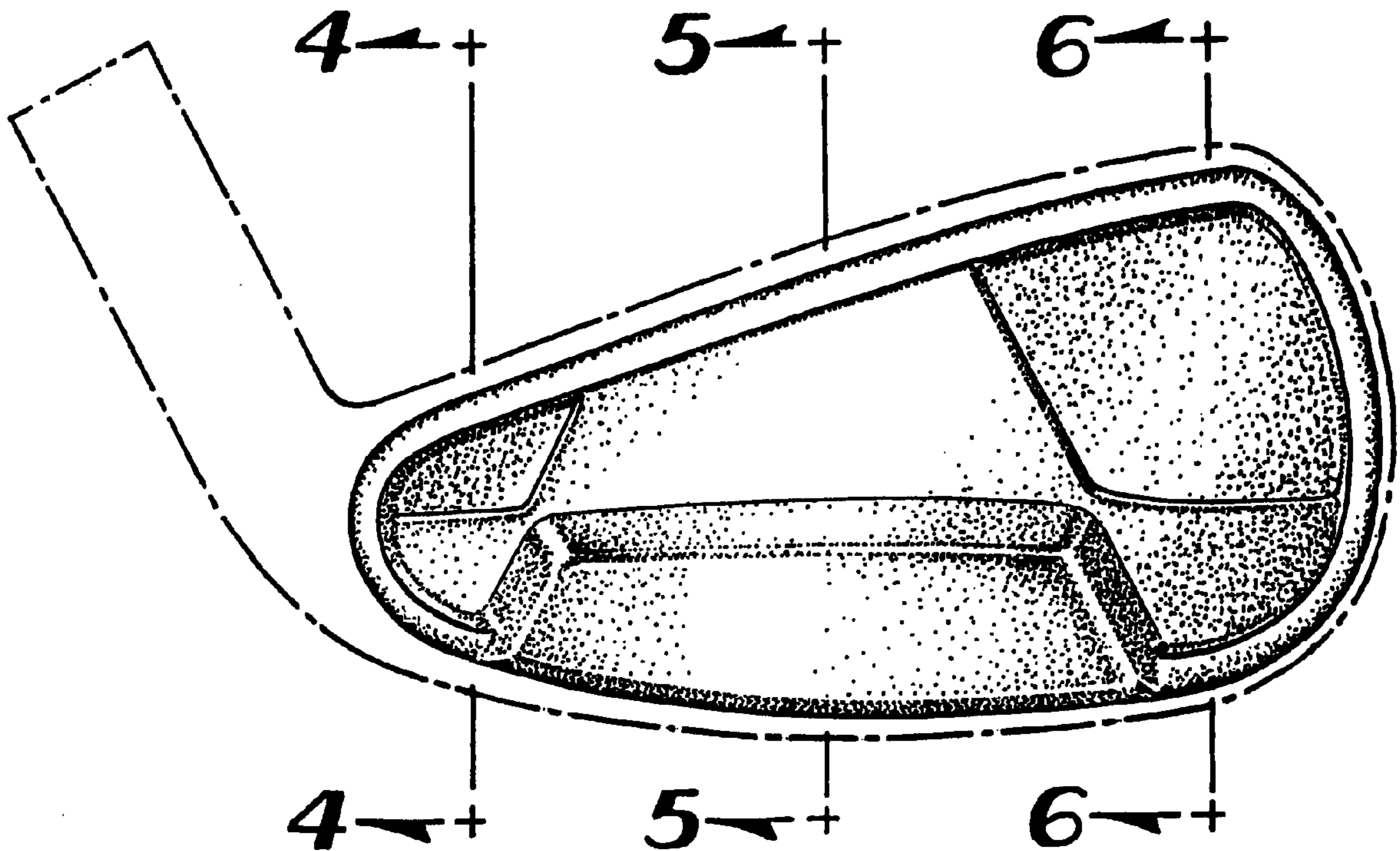
(56) **References Cited**

U.S. PATENT DOCUMENTS

D328,322 S	*	7/1992	Antonious	D21/747
D362,041 S	*	9/1995	Takahashi et al.	D21/749
D383,819 S	*	9/1997	Takahashi et al.	D21/749
D383,820 S		9/1997	Watanabe		
D428,634 S		7/2000	Nagai et al.		
D428,635 S		7/2000	Nagai et al.		
D444,195 S	*	6/2001	Wahl et al.	D21/748
D445,157 S	*	7/2001	Jones et al.	D21/749
D449,086 S		10/2001	Nagai et al.		

FIG. 1 is a perspective view of our new design for the back of a golf club head with the remainder of the iron shown in phantom lines which form no part of the claimed design; FIG. 2 is a rear elevation of the rear of the iron shown in FIG. 1 with the remainder of the iron shown in phantom lines which form no part of the claimed design; FIG. 3 is a top plan view of the iron of FIG. 1; FIG. 4 is a planar cross-sectional view taken along lines 4-4 in FIG. 2; FIG. 5 is a planar cross-sectional view taken along lines 5-5 in FIG. 2; and, FIG. 6 is a planar cross-sectional view taken along lines 6-6 in FIG. 2.

1 Claim, 2 Drawing Sheets



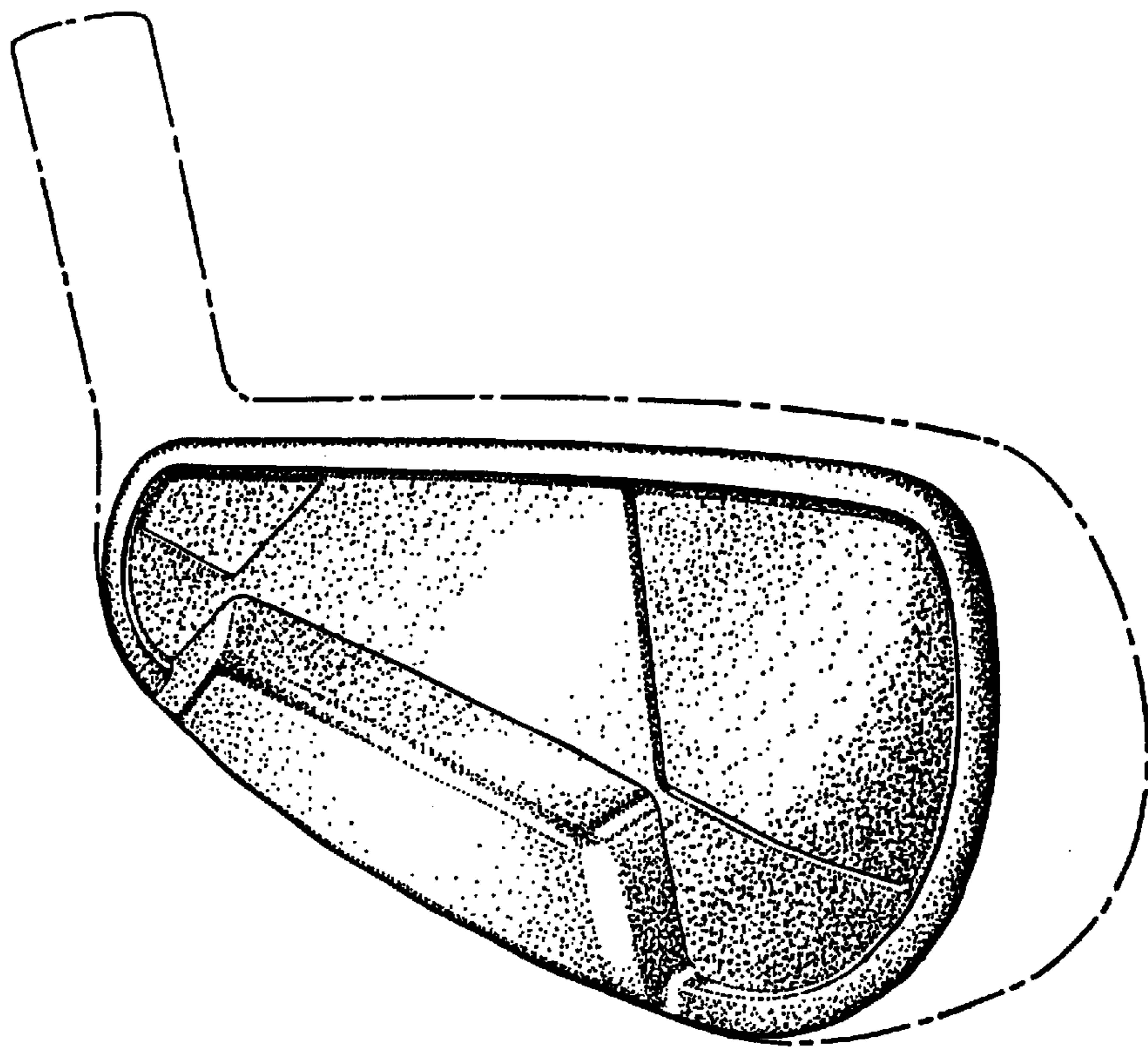


FIG 1

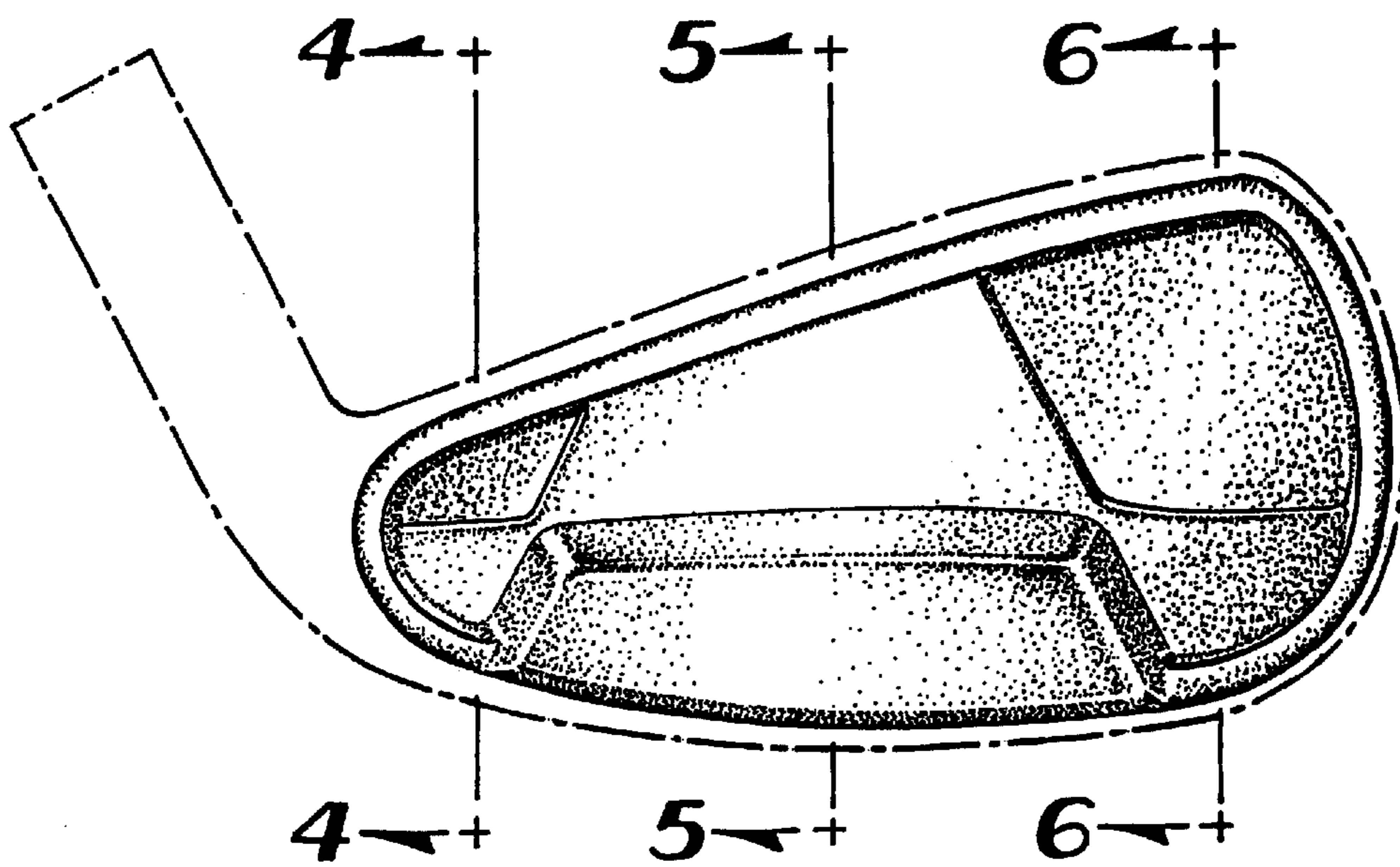


FIG 2

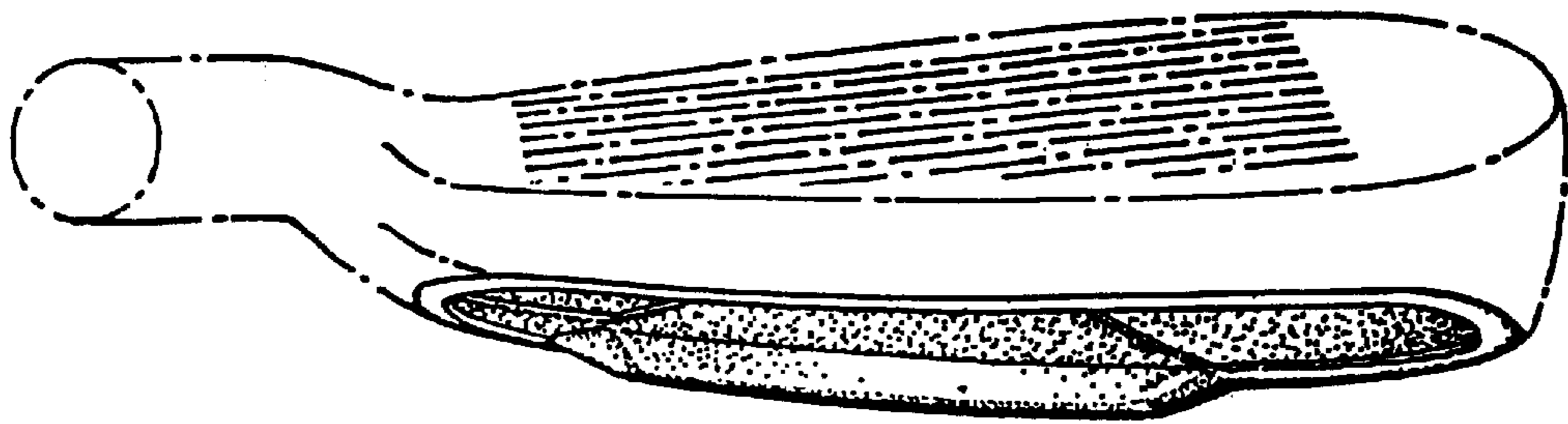


FIG 3

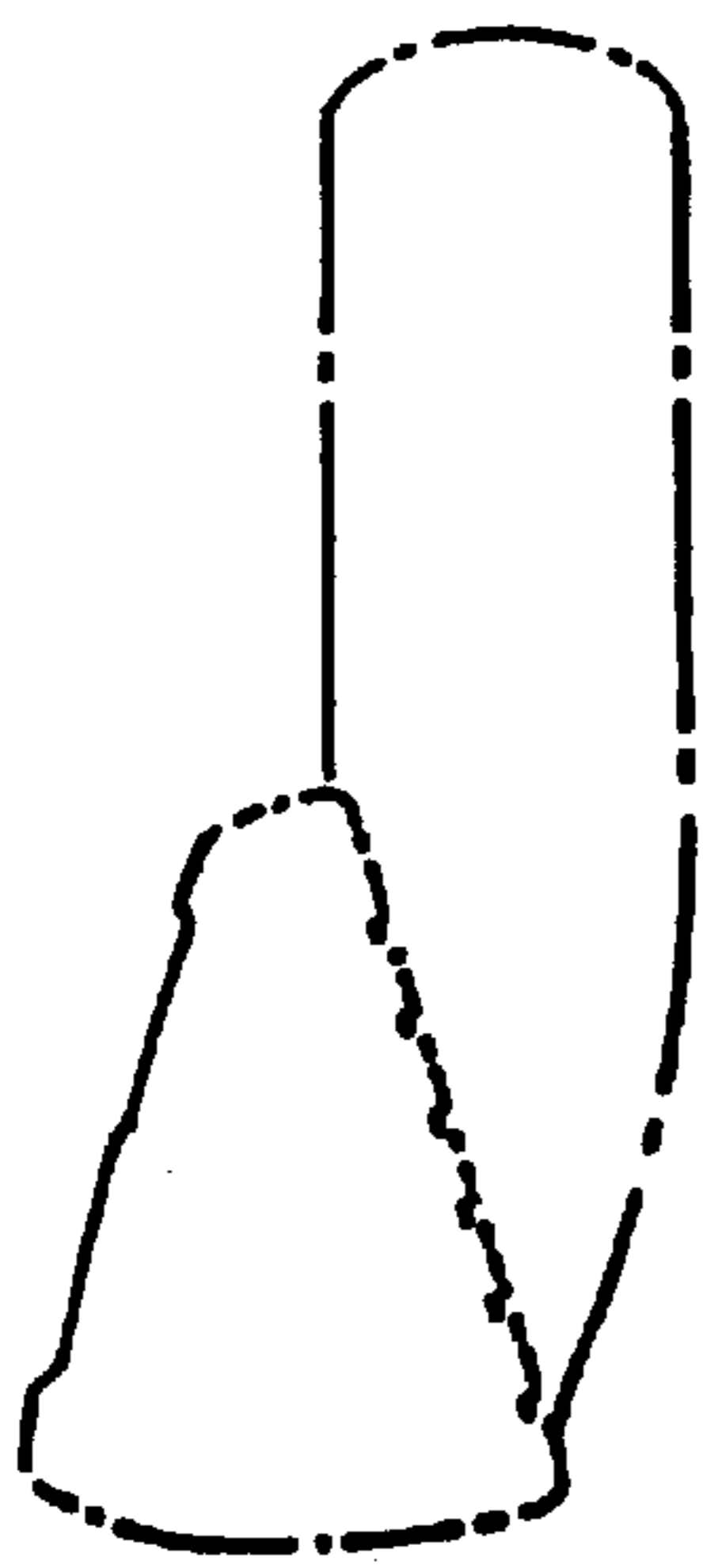


FIG 4

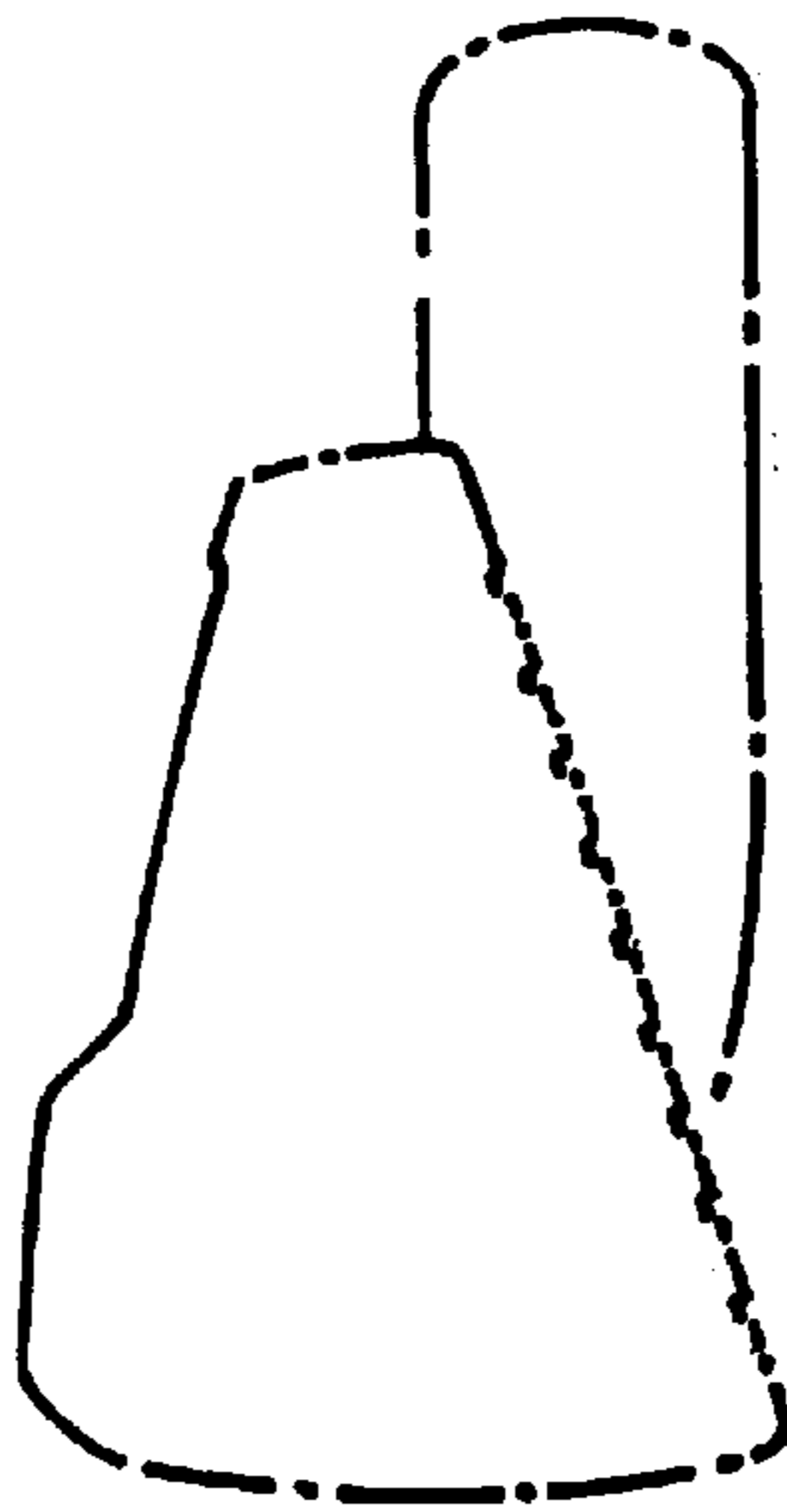


FIG 5

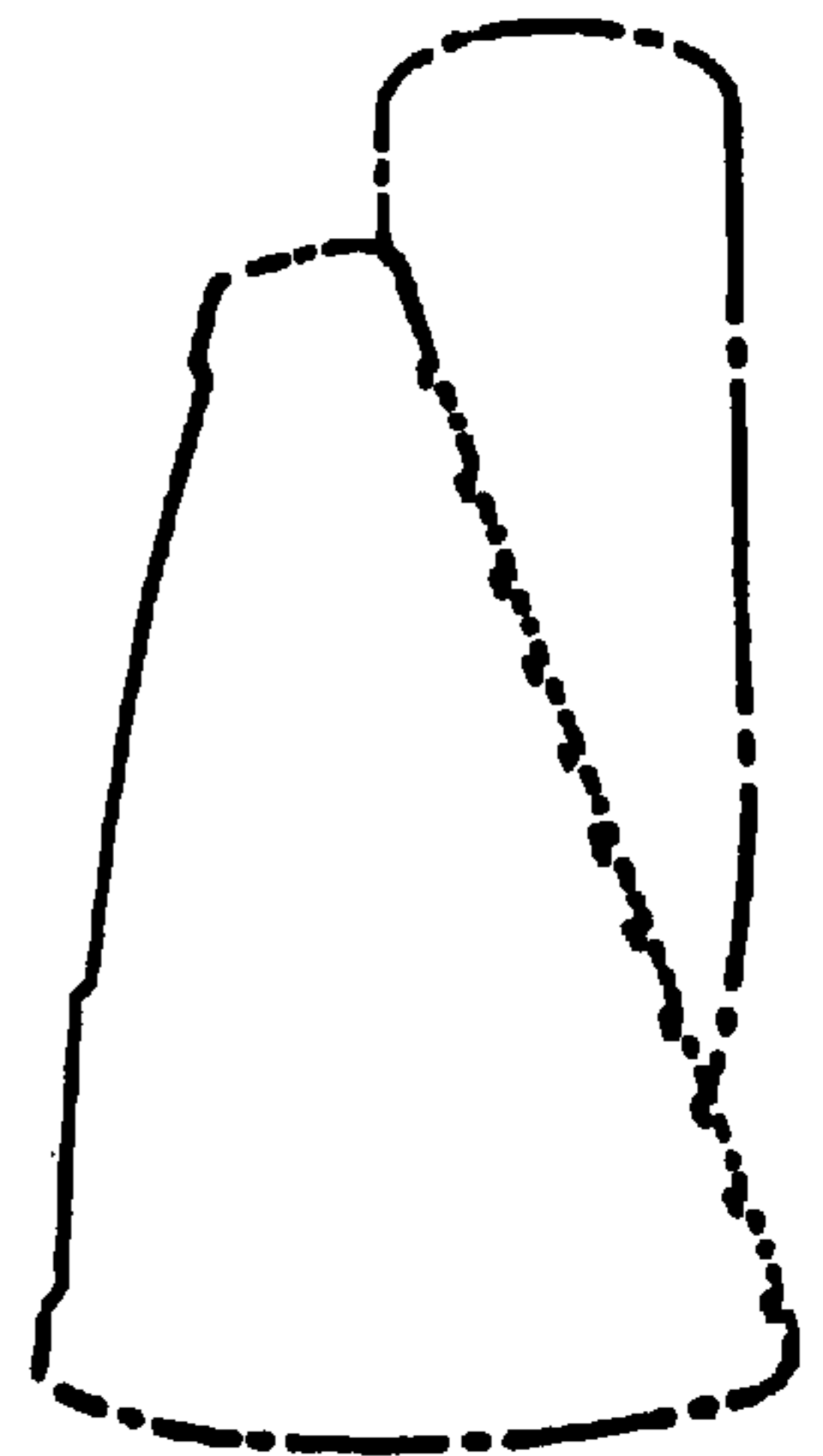


FIG 6