



US00D466956S

(12) **United States Design Patent**  
**Manville et al.**

(10) **Patent No.:** **US D466,956 S**

(45) **Date of Patent:** **\*\* Dec. 10, 2002**

(54) **DESIGN CRAFT KIT CONSTRUCTION COMPONENT—COMPLEX SIDE-SLOTTED CUBE**

(75) Inventors: **Richard B. Manville**, Los Angeles, CA (US); **James P. Mills-Winkler**, Long Beach, CA (US)

(73) Assignee: **Mattel, Inc.**, El Segundo, CA (US)

(\*\*) Term: **14 Years**

(21) Appl. No.: **29/157,904**

(22) Filed: **Mar. 26, 2002**

(51) **LOC (7) Cl.** ..... **21-01**

(52) **U.S. Cl.** ..... **D21/499**

(58) **Field of Search** ..... D21/484–505;  
446/85, 102–105, 106, 108–116, 117, 120–122,  
124, 125, 127, 128; 52/604, 598

(56) **References Cited**

**U.S. PATENT DOCUMENTS**

|           |   |           |               |         |
|-----------|---|-----------|---------------|---------|
| 1,818,404 | A | 8/1931    | Kaufman       |         |
| 2,132,647 | A | * 10/1938 | Robins        |         |
| 3,510,979 | A | * 5/1970  | Fischer       |         |
| 3,513,590 | A | * 5/1970  | Fischer       |         |
| 3,564,758 | A | 2/1971    | Willis        |         |
| 3,687,500 | A | 8/1972    | Silvius       |         |
| 3,747,261 | A | * 7/1973  | Salem         | 446/104 |
| 3,827,177 | A | 8/1974    | Wengel        |         |
| 3,855,748 | A | 12/1974   | Thomas        |         |
| D235,570  | S | * 6/1975  | Barton        |         |
| D249,230  | S | * 9/1978  | Van Der Veken |         |
| 4,124,958 | A | 11/1978   | Chiche        |         |
| 4,169,332 | A | * 10/1979 | Fischer       |         |
| 4,171,591 | A | * 10/1979 | Fischer       |         |
| 4,291,512 | A | 9/1981    | Walton        |         |
| 4,334,868 | A | 6/1982    | Levinrad      |         |
| 4,365,454 | A | 12/1982   | Davis         |         |
| D277,727  | S | 2/1985    | Klaric        |         |
| 4,557,091 | A | 12/1985   | Auer          |         |
| D282,264  | S | * 1/1986  | Wiese         | D21/499 |
| D285,463  | S | 9/1986    | Davis         |         |
| 4,789,370 | A | 12/1988   | Ellefson      |         |

|           |    |           |               |         |
|-----------|----|-----------|---------------|---------|
| 5,061,219 | A  | 10/1991   | Glickman      |         |
| 5,069,647 | A  | * 12/1991 | Zuviria       | 446/127 |
| 5,222,902 | A  | 6/1993    | Piersch       |         |
| 5,470,139 | A  | 11/1995   | Hsiao         |         |
| 5,472,365 | A  | 12/1995   | Engel         |         |
| 5,647,181 | A  | 7/1997    | Hunts         |         |
| 5,681,201 | A  | 10/1997   | Choi          |         |
| 5,984,756 | A  | 11/1999   | Krog          |         |
| 6,004,182 | A  | 12/1999   | Pasin         |         |
| D422,036  | S  | * 3/2000  | Laserna       | D21/499 |
| D435,609  | S  | * 12/2000 | Sorensen      | D21/499 |
| 6,231,416 | B1 | 5/2001    | Clever et al. |         |

**OTHER PUBLICATIONS**

Photos 288–289, Building toy and case.  
 Photo 290, Lego Classic Building toy.  
 Photos 291–293, Discovery Toys Bright Builders toy.  
 Photo 294, K'Nex Jack Knife Big Rig Race Transport.  
 Photos 295–296, Lego Jack Stone Copter Transport.  
 Photos 297–298, T.C. Timber Animal Beads.  
 Photos 299–300, Lego Team Transport building toy.  
 Photo 301, Anatomics Dynamic building system.  
 Photos 302–303, Creativity for Kids Funky Fab Door Curtain.  
 Photo 304, Anatex Suction Cup Coaster.  
 Photo 305, Construx Power Copters building system.  
 Photo 306, Puff bead set.

(List continued on next page.)

*Primary Examiner*—Raphael Barkai  
(74) *Attorney, Agent, or Firm*—Kolisch Hartwell, P.C.

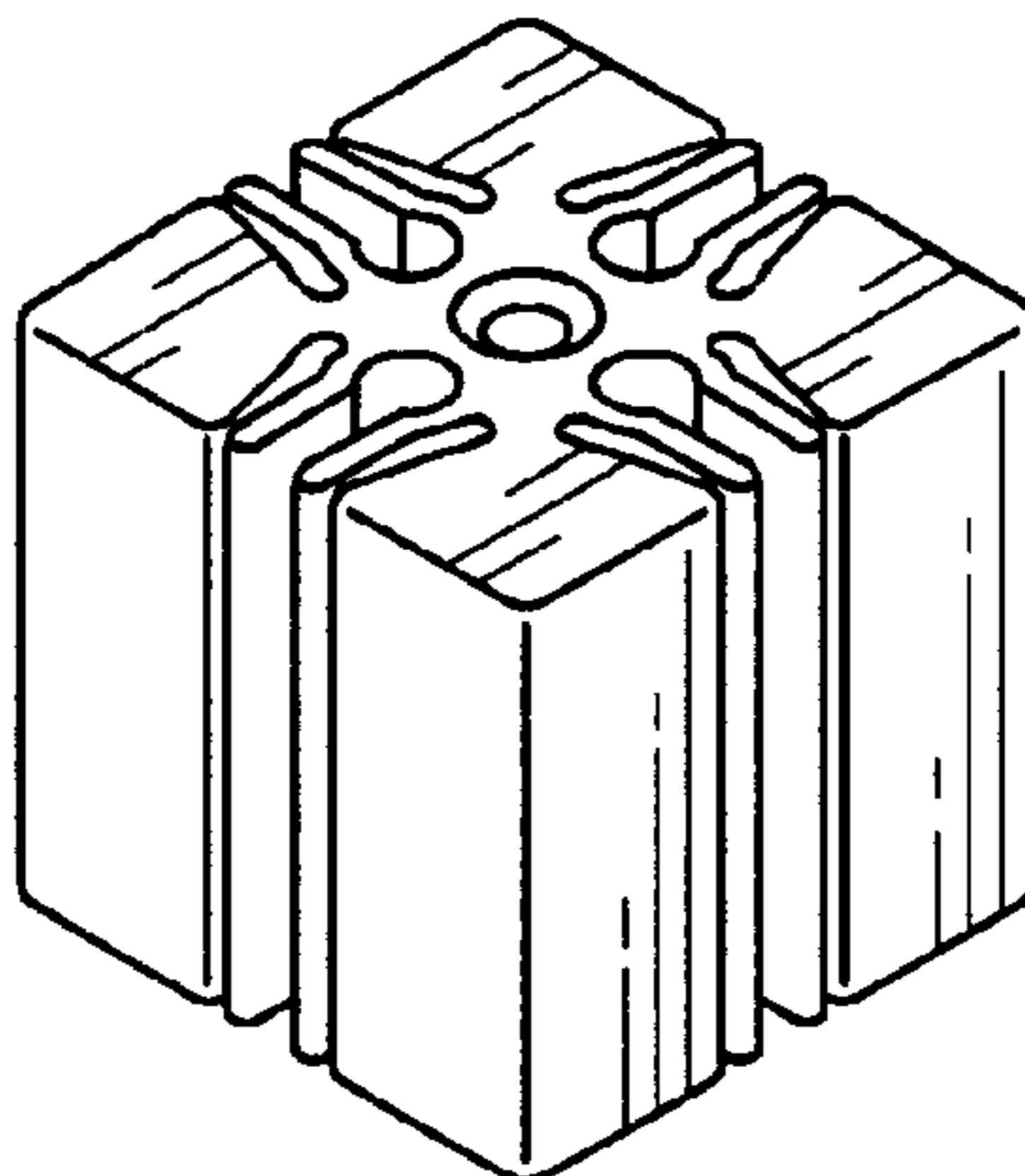
(57) **CLAIM**

The ornamental design for a design craft kit construction component—complex side-slotted cube, as shown and described.

**DESCRIPTION**

FIG. 1 is a perspective view of the invention; and, FIG. 2 is a plan view of the invention.

**1 Claim, 1 Drawing Sheet**



**OTHER PUBLICATIONS**

Photo 307, Lisa Frank Bead Dreams bead set.

Photo 308, Rexlace Plastic Craft Lacing.

Photos 309–310, Lego Alien of the Red Planet building toy.

Photo 311, Tinkertoy Construction Set.

Photos 312–313, Xtreme Sports Skatepark toy.

Photos 314–315, Lego Creator building toy.

Photos 316–317, Hello Kitty playset.

Photo 318, S'Getti Strings Activity Pack.

Photo 319, Lacing Set.

Photo 320, Hama beads.

Photo 321, Learning Resources Attributes Lacing Buttons set.

Photo 322, Creative Girls Hip Hemp bracelet set.

Photos 323–324, Lego Belville building toy.

Photos 325–326, Playmobil prison tower building set.

Photo 327, Lego System building toy.

Photos 328–329, K'Nex First Building set.

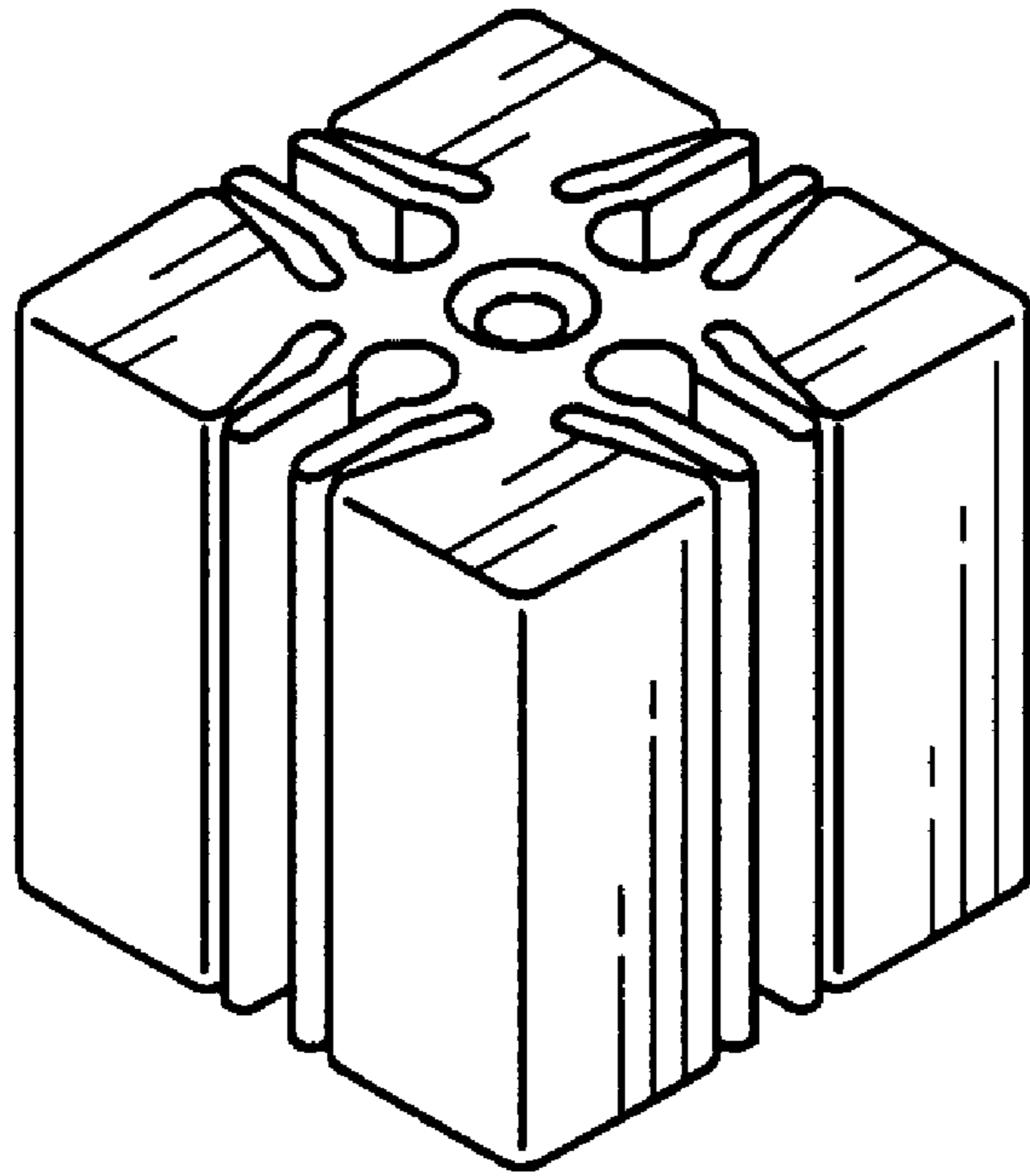
Photos 330, Creative Girls Power Beads set.

Photos 331–335, Lego Duplo Wazo building set.

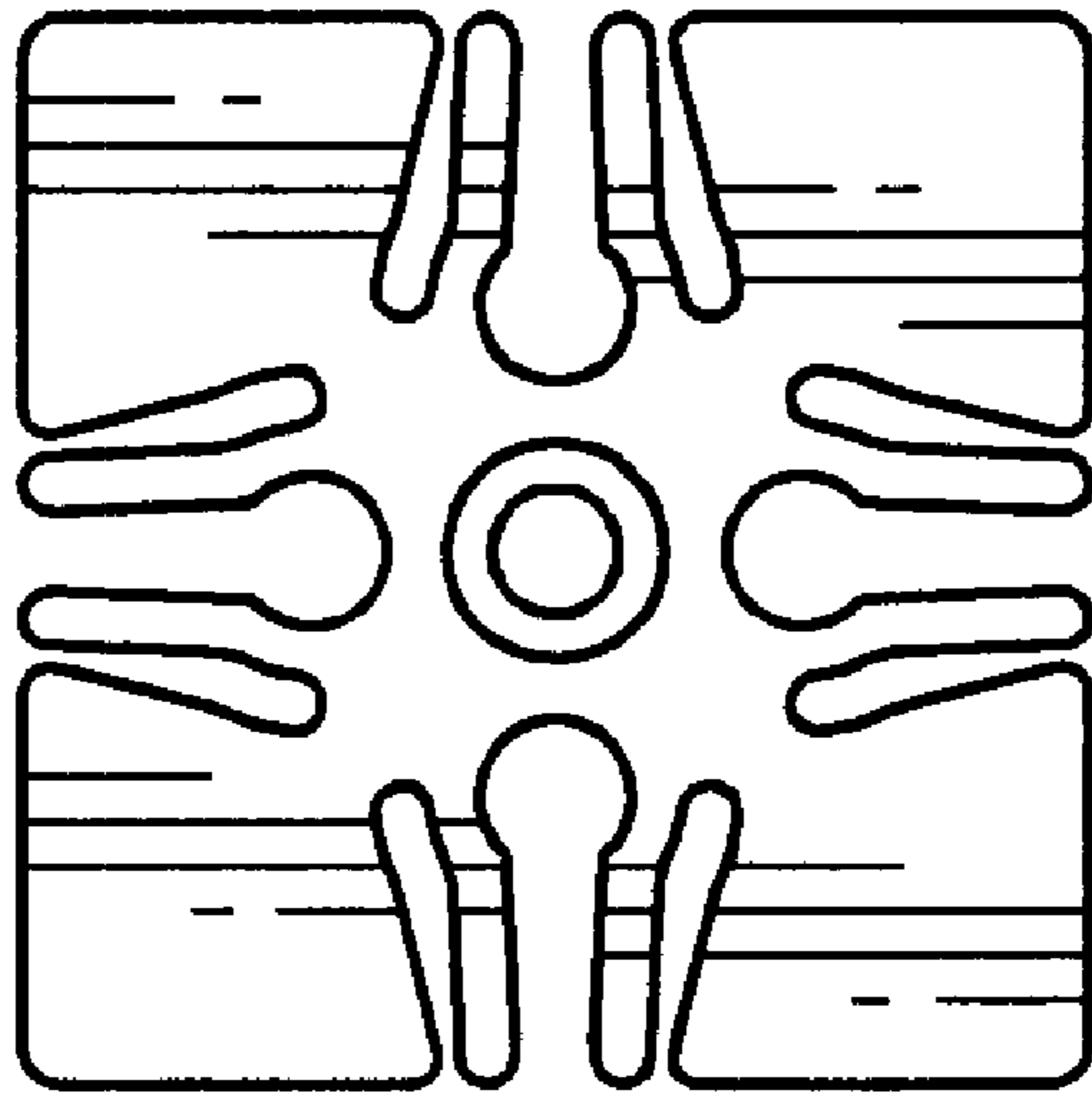
Photos 336–337, Pokémon Battle Figures Series 1 toys.

Photos 400–404, Pablo 3-D Stick Game.

\* cited by examiner



**FIG. 1**



**FIG. 2**