



US00D466953S

(12) **United States Design Patent**  
**Ortiz**

(10) **Patent No.:** **US D466,953 S**

(45) **Date of Patent:** **\*\* Dec. 10, 2002**

(54) **TOY WAGON AND TRAILER**

(76) **Inventor:** **Ernest Ortiz**, 3212 Washington St.,  
Riverside, CA (US) 92504

(\*\*) **Term:** **14 Years**

(21) **Appl. No.:** **29/154,618**

(22) **Filed:** **Jan. 25, 2002**

(51) **LOC (7) Cl.** ..... **21-01**

(52) **U.S. Cl.** ..... **D21/425**

(58) **Field of Search** ..... D21/419, 424-427,  
D21/534, 536; D12/128, 129, 17, 19, 20;  
446/440, 451, 465; 280/87.01, 87.021, 87.041,  
87.051, 87.043, 773, 776, 47.36, 47.38,  
47.371, 47.35, 47.25, 47.26, 47.27; 135/88.01,  
88.09, 96

(56) **References Cited**

**U.S. PATENT DOCUMENTS**

3,141,681	A	*	7/1964	Cedarstrand	
3,765,696	A	*	10/1973	Capron	280/47.25
4,417,765	A	*	11/1983	Wirsbinski	280/47.26
4,735,426	A	*	4/1988	McConnell	280/87.01
D332,639	S	*	1/1993	Argandona et al.	D21/425

5,560,383	A	*	10/1996	Fuller	135/88.01
D382,309	S	*	8/1997	Brown et al.	D21/425
D388,473	S	*	12/1997	Pasin et al.	D21/425
D403,026	S	*	12/1998	Pasin	D21/425
D437,006	S	*	1/2001	Pardi	D21/425
6,260,566	B1	*	7/2001	Lafave et al.	135/96
D458,648	S	*	6/2002	Chiappetta et al.	D21/425

\* cited by examiner

*Primary Examiner*—Raphael Barkai

(74) *Attorney, Agent, or Firm*—Goldstein & Lavas, P.C.

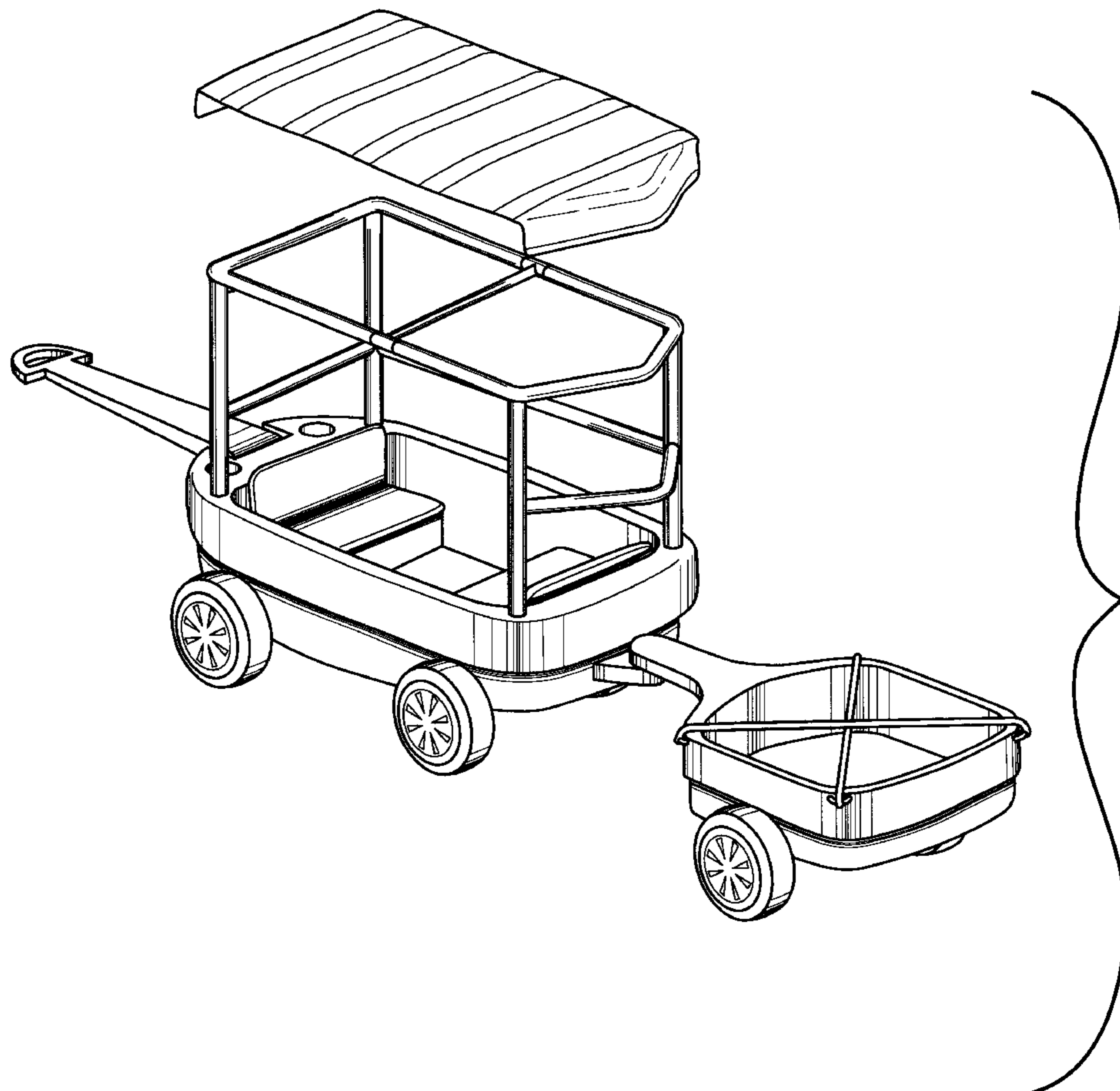
(57) **CLAIM**

The ornamental design for a toy wagon and trailer, as shown and described.

**DESCRIPTION**

FIG. 1 is a perspective view of a toy wagon and trailer.  
 FIG. 2 is a front elevational view thereof.  
 FIG. 3 is a rear elevational view thereof.  
 FIG. 4 is a right side elevational view thereof.  
 FIG. 5 is a left side elevational view thereof.  
 FIG. 6 is a top plan view of the toy wagon and trailer; and,  
 FIG. 7 is a bottom plan view thereof.

**1 Claim, 4 Drawing Sheets**



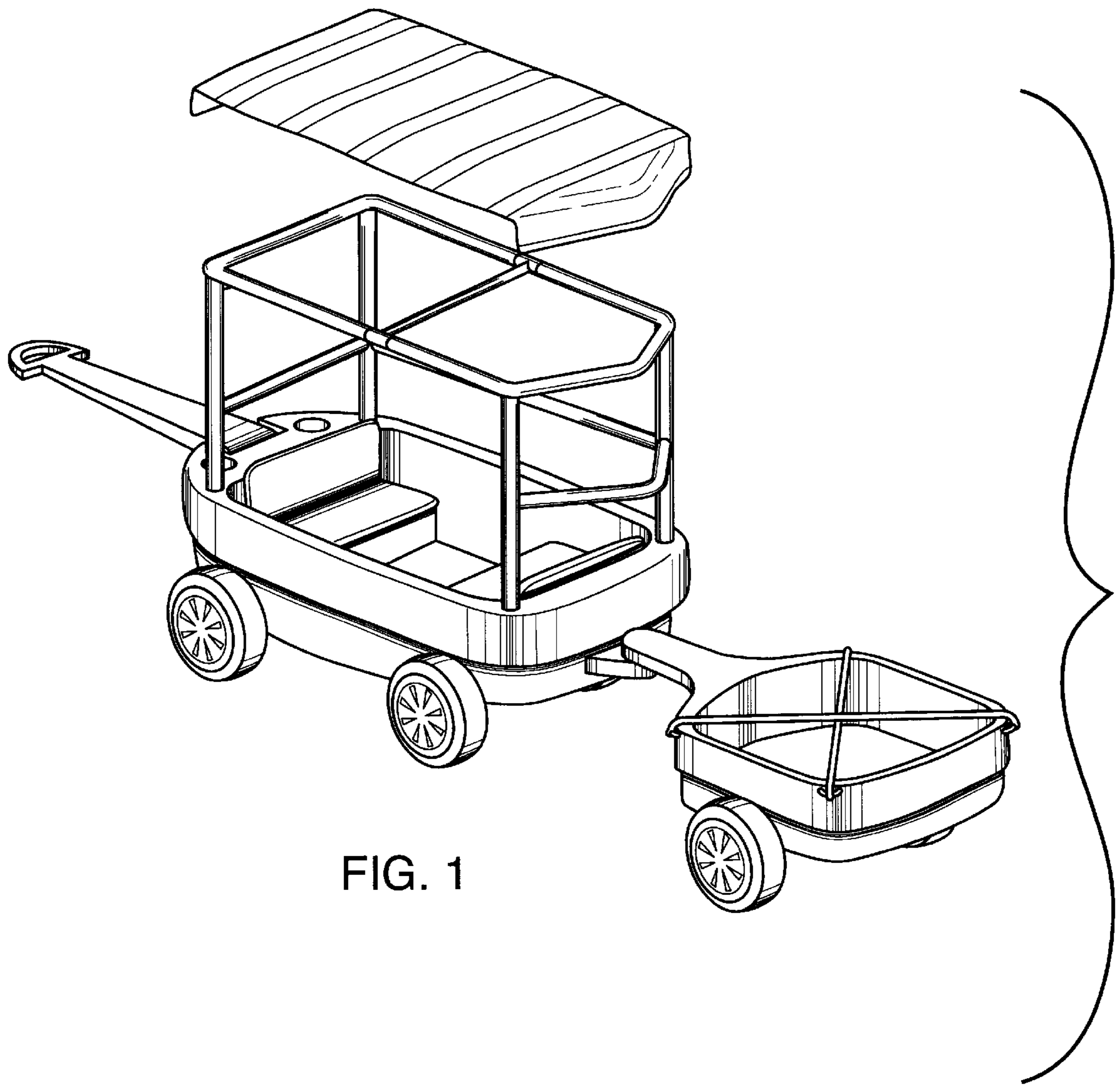


FIG. 1

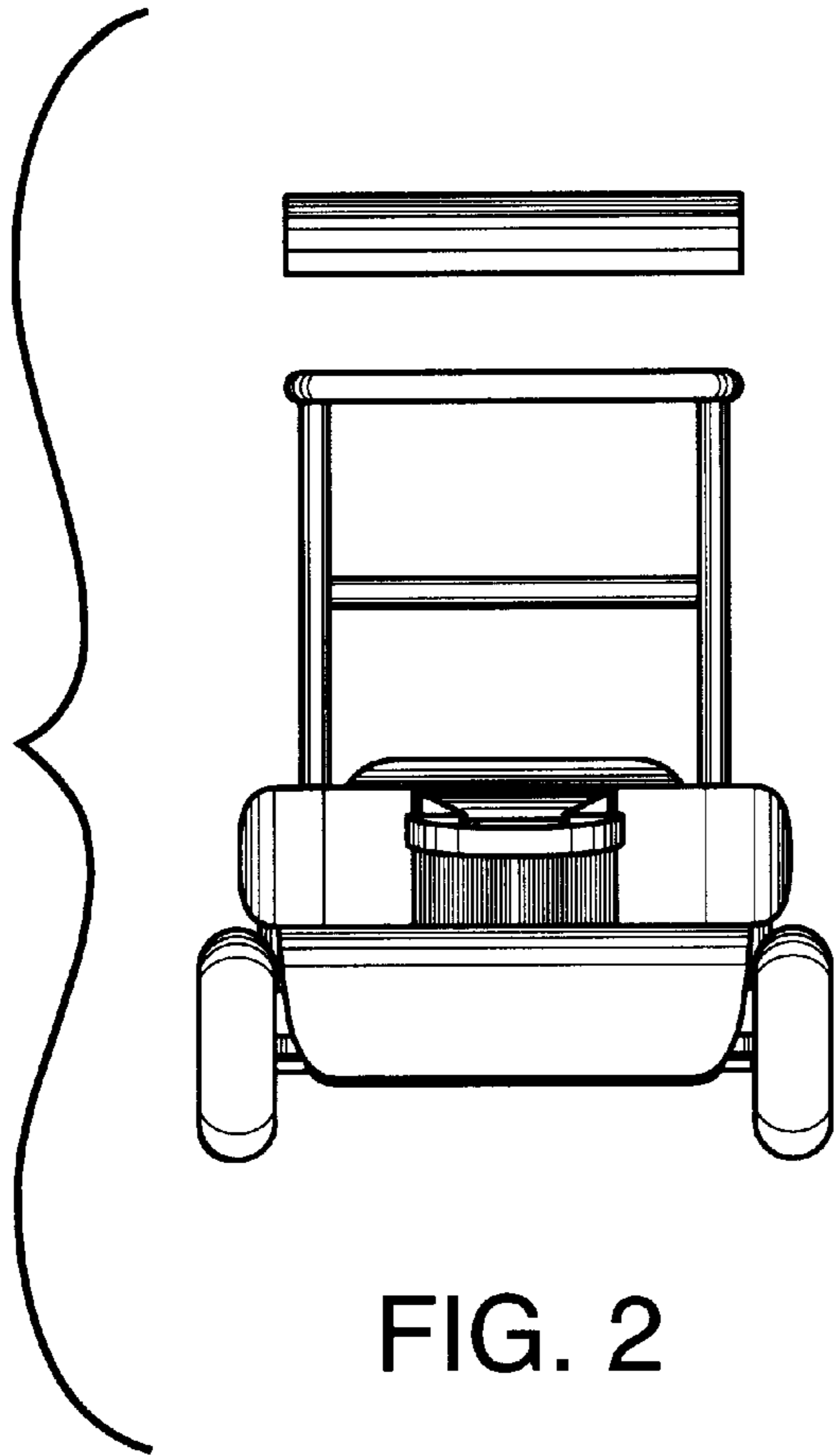


FIG. 2

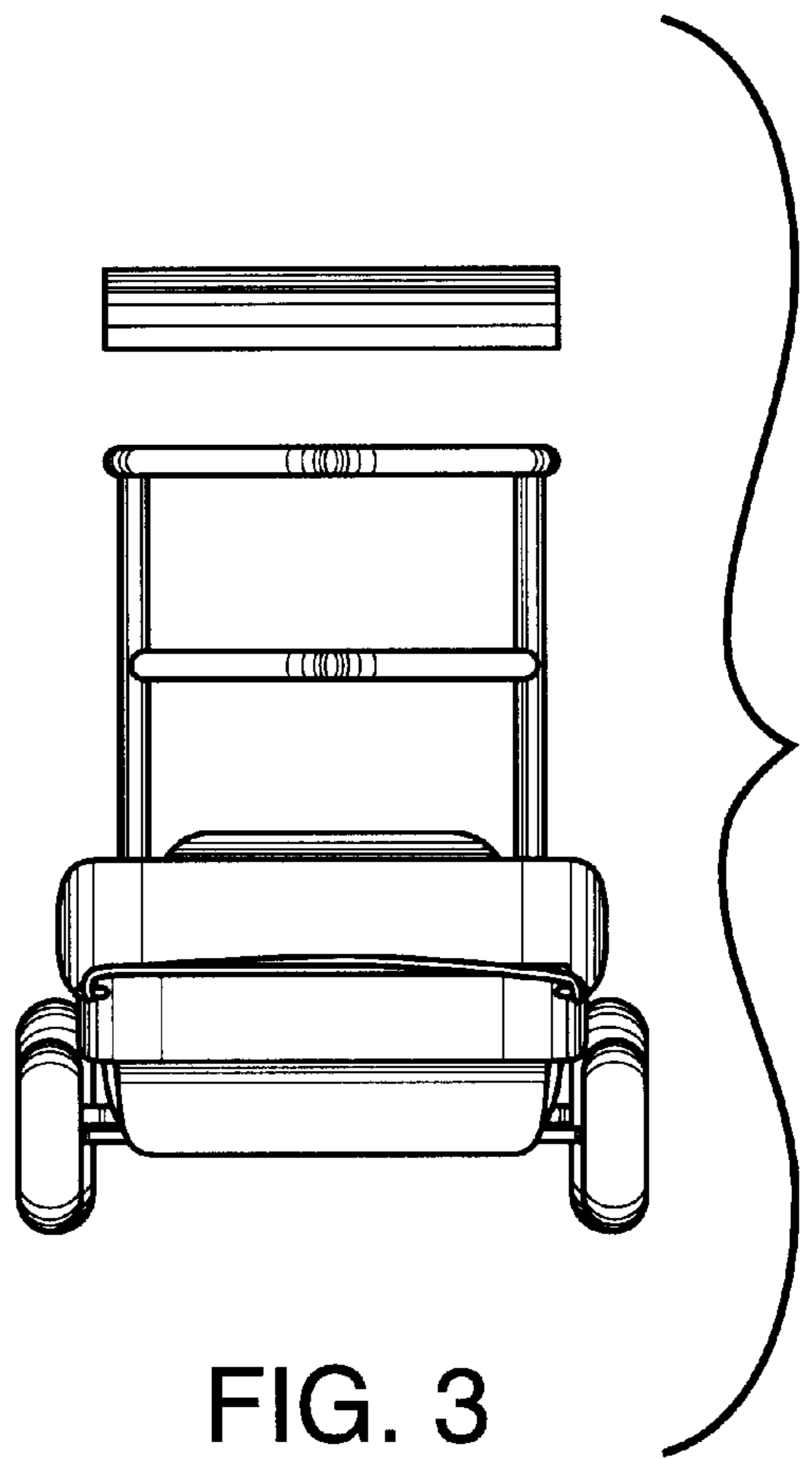


FIG. 3

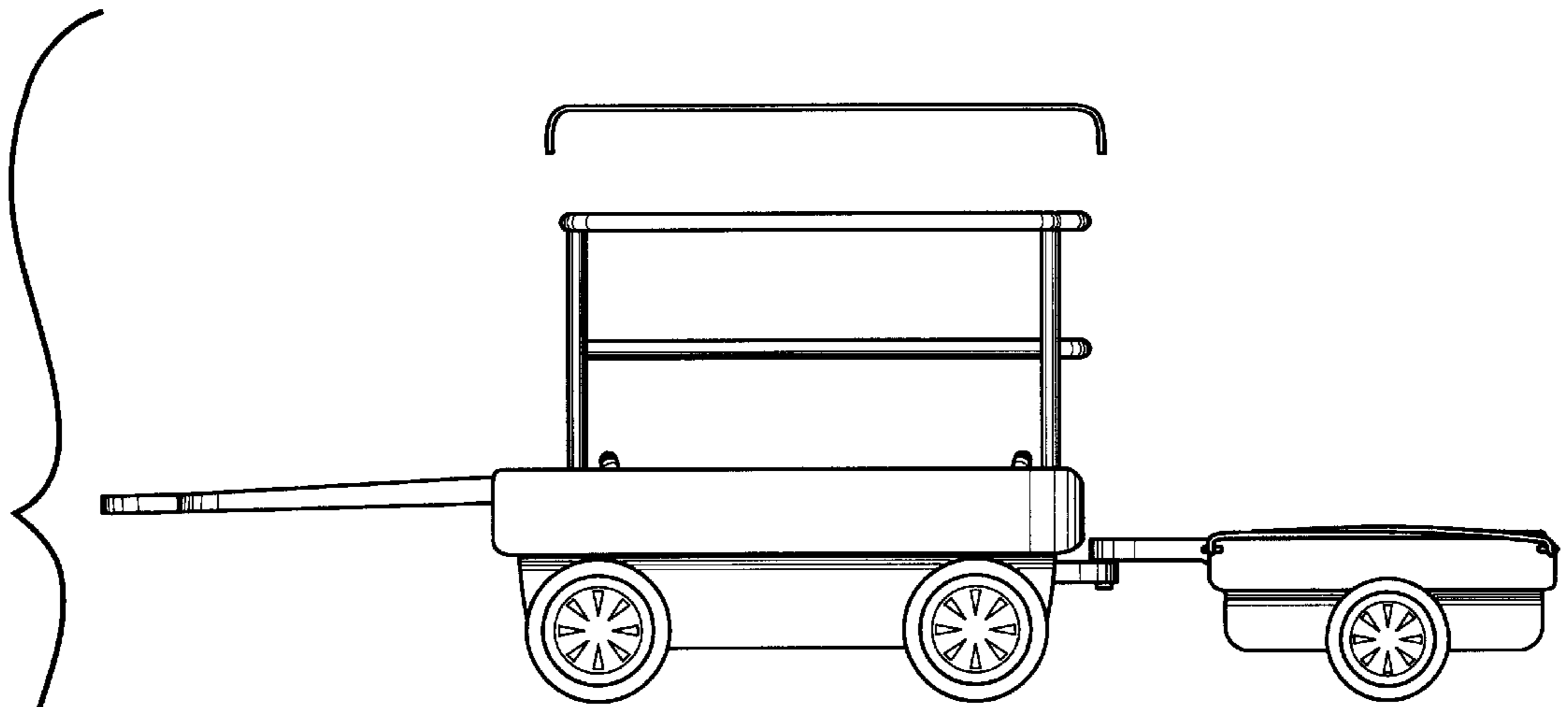


FIG. 4

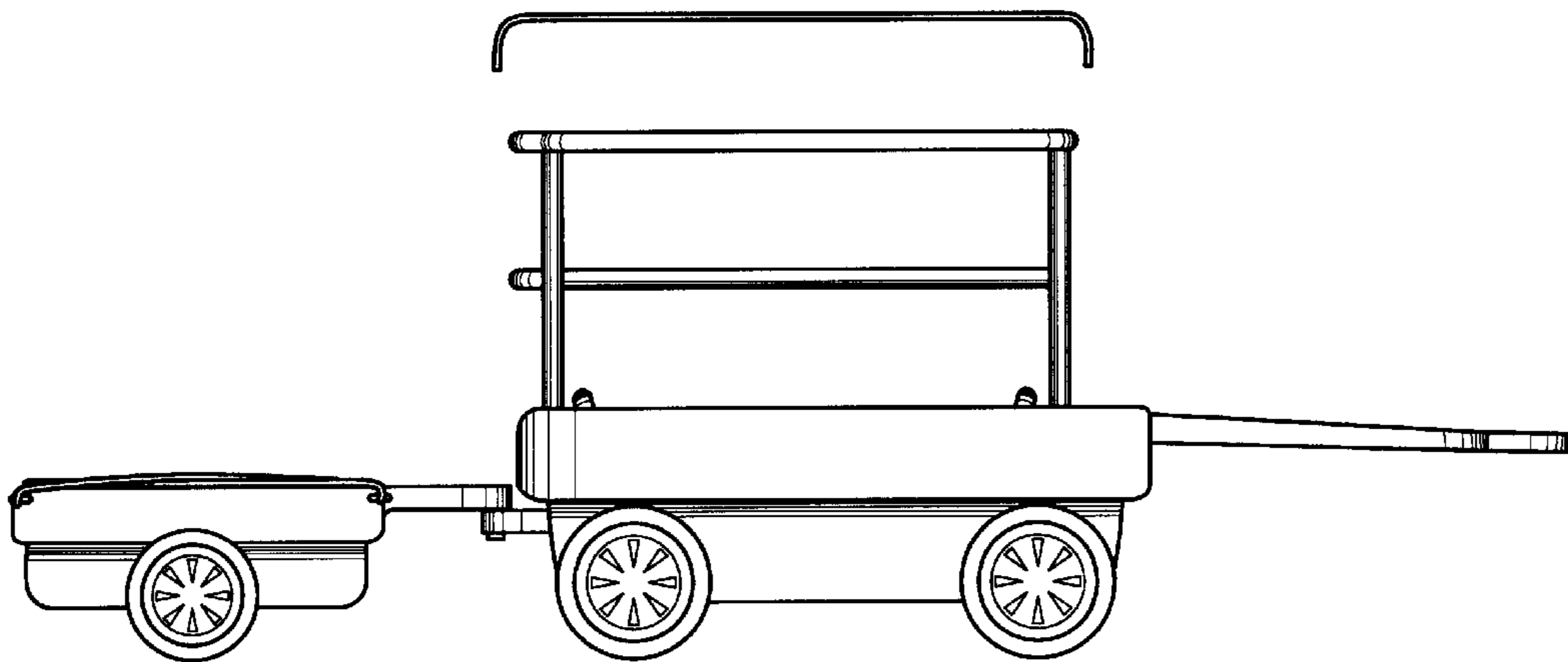


FIG. 5

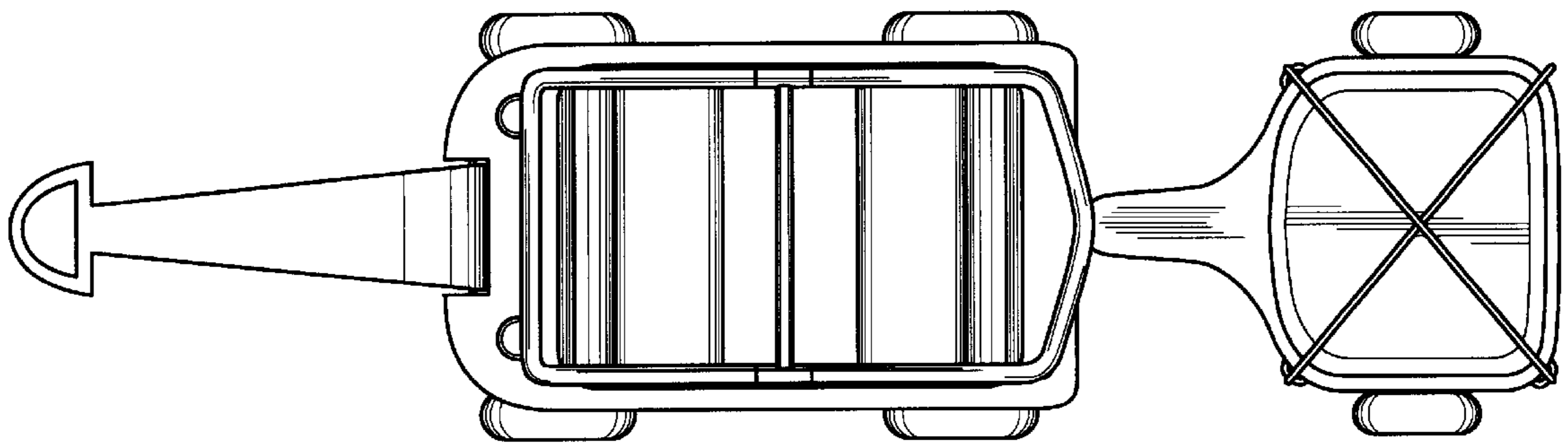


FIG. 6

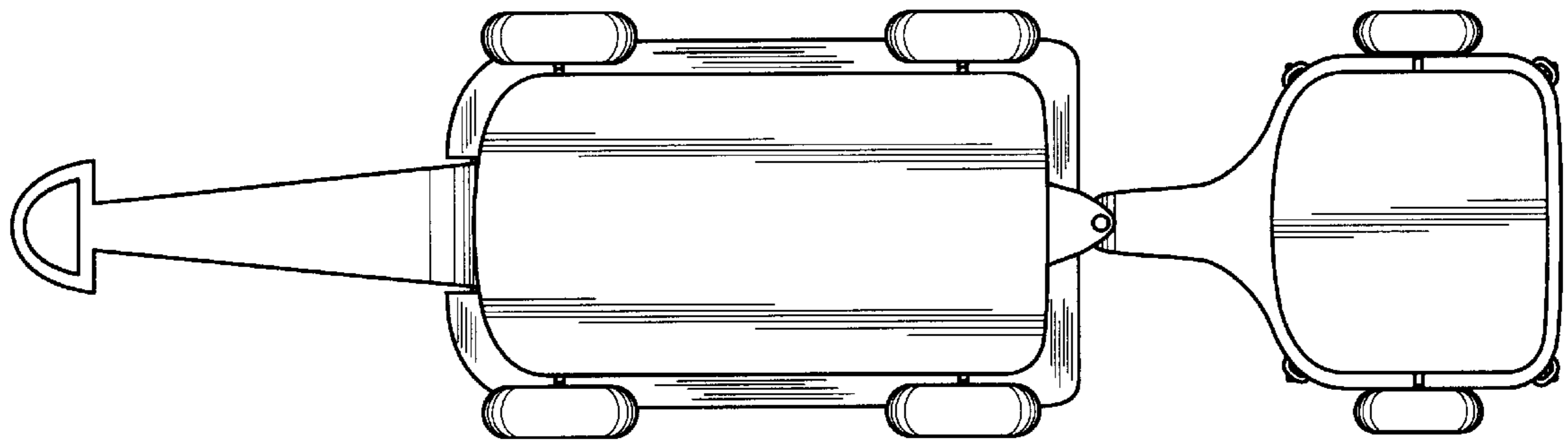


FIG. 7