



US00D466951S

(12) **United States Design Patent**
Hang

(10) **Patent No.:** **US D466,951 S**

(45) **Date of Patent:** **** Dec. 10, 2002**

(54) **LIGHTING UNIT**

(75) Inventor: **Lee Wing Hang**, Shatin (HK)

(73) Assignee: **Radica China Limited**, Tortola (VG)

(**) Term: **14 Years**

(21) Appl. No.: **29/150,788**

(22) Filed: **Nov. 30, 2001**

(30) **Foreign Application Priority Data**

Aug. 1, 2001 (GB) 2103636

(51) **LOC (7) Cl.** **21-01**

(52) **U.S. Cl.** **D21/333**

(58) **Field of Search** D21/324, 329,
D21/333, 336, 385; 273/148 A, 148 B;
463/1, 29-35, 46, 47, 48; D26/51, 52, 24,
72; 362/26, 86, 135, 257, 362, 365, 101,
109; D14/495, 125

(56) **References Cited**

U.S. PATENT DOCUMENTS

4,589,659	A	*	5/1986	Yokoi et al.	463/34
4,893,222	A	*	1/1990	Mintzer	362/109
5,115,383	A	*	5/1992	Lee	463/47
5,325,280	A	*	6/1994	Tortola et al.	273/148 B
D416,948	S	*	11/1999	Soga	D21/333
D426,860	S	*	6/2000	Ho	D21/333
D435,871	S	*	1/2001	Yu	D21/333
D448,426	S	*	9/2001	Yu	D21/333
D458,644	S	*	6/2002	Yu	D21/333

* cited by examiner

Primary Examiner—Prabhakar Deshmukh

(74) *Attorney, Agent, or Firm*—Roylance, Abrams, Berdo & Goodman, L.L.P.

(57) **CLAIM**

The ornamental design for a lighting unit, as shown and described.

DESCRIPTION

FIG. 1 is a front perspective view of the lighting unit in accordance with the new design, showing the lighting unit in a first position;

FIG. 2 is a front elevational view of the lighting unit illustrated in FIG. 1;

FIG. 3 is a rear elevational view of the lighting unit illustrated in FIGS. 1 and 2;

FIG. 4 is a right side elevational view of the lighting unit illustrated in FIGS. 1-3;

FIG. 5 is a left side elevational view of the lighting unit illustrated in FIGS. 1-4;

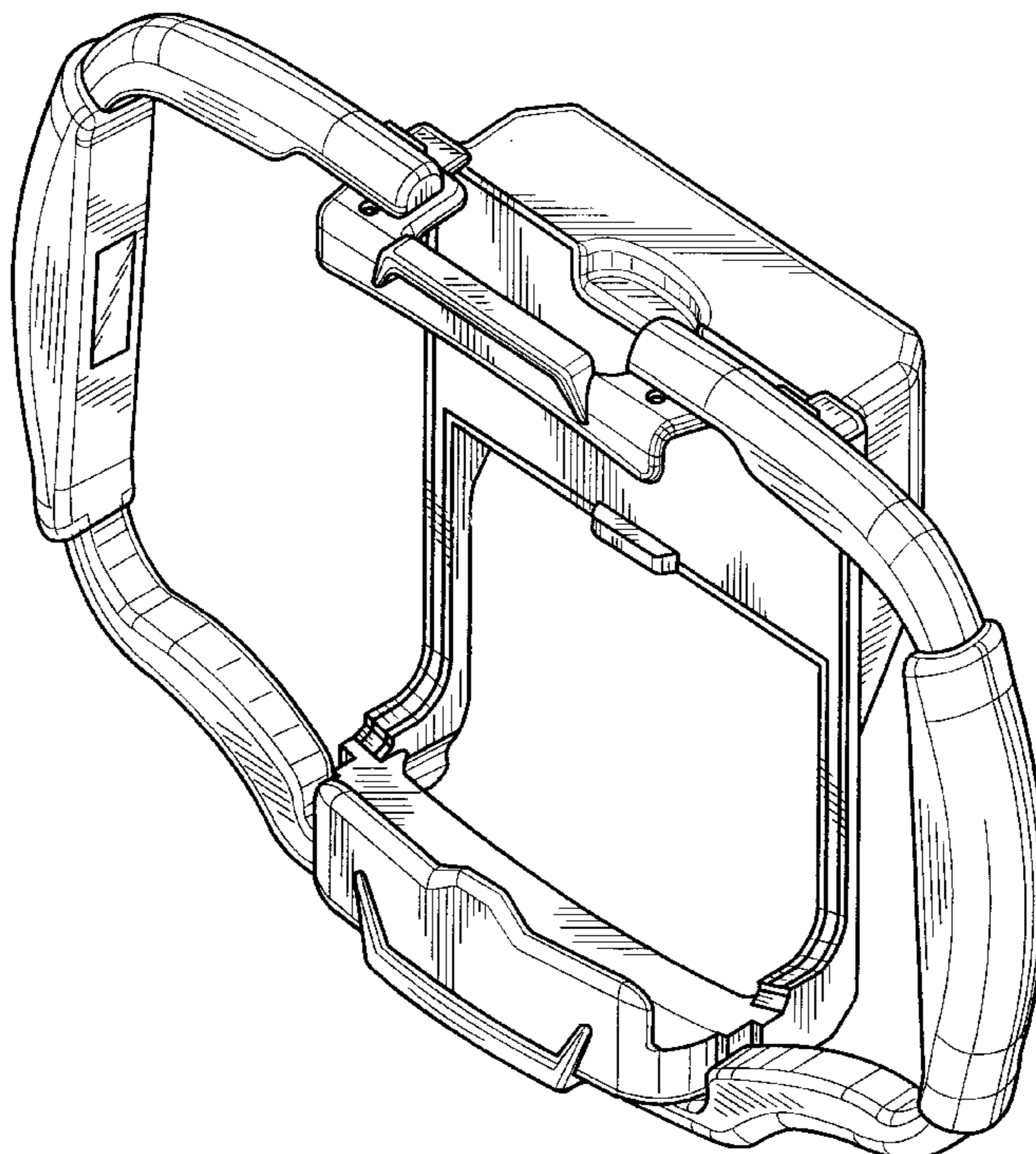
FIG. 6 is a top plan view of the lighting unit illustrated in FIGS. 1-5;

FIG. 7 is a bottom plan view of the lighting unit illustrated in FIGS. 1-6; and,

FIG. 8 is a front perspective view of the lighting unit illustrated in FIGS. 1-7, showing the lighting unit in a second position and supporting a hand held electronic game shown in dashed lines.

The broken line showing of an electronic game is for illustrative purpose only and forms no part of the claimed design.

1 Claim, 6 Drawing Sheets



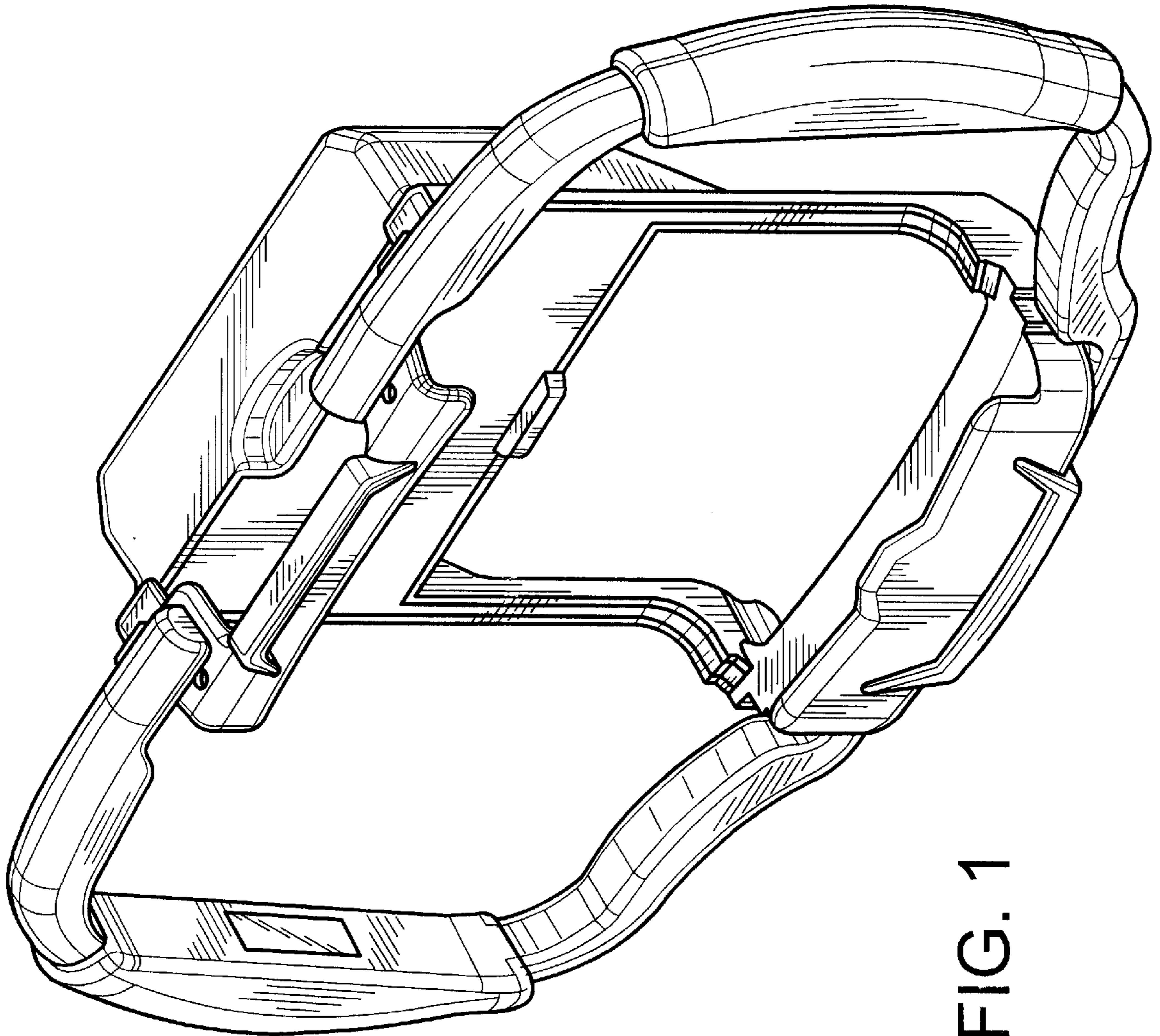


FIG. 1

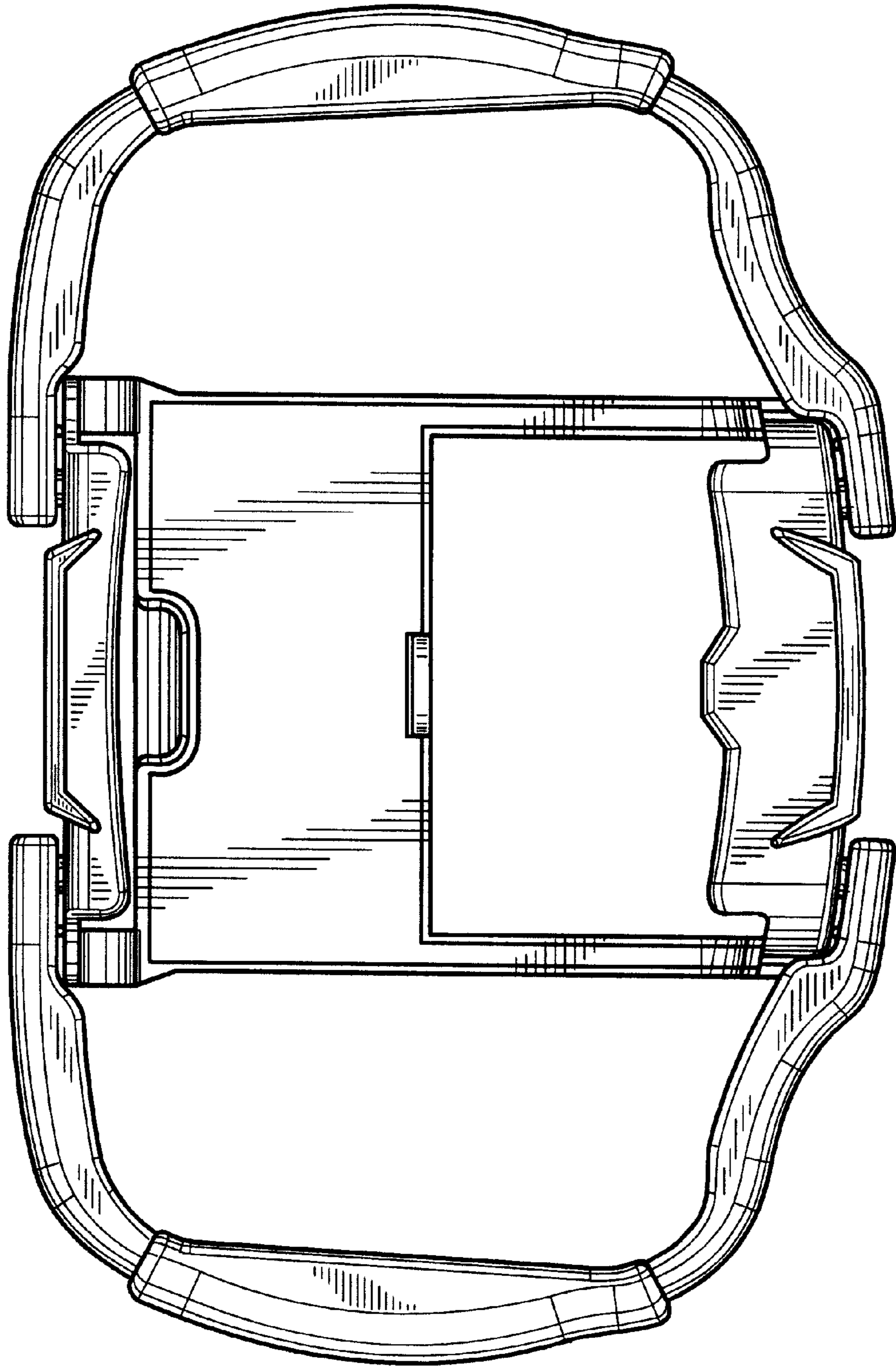


FIG. 2

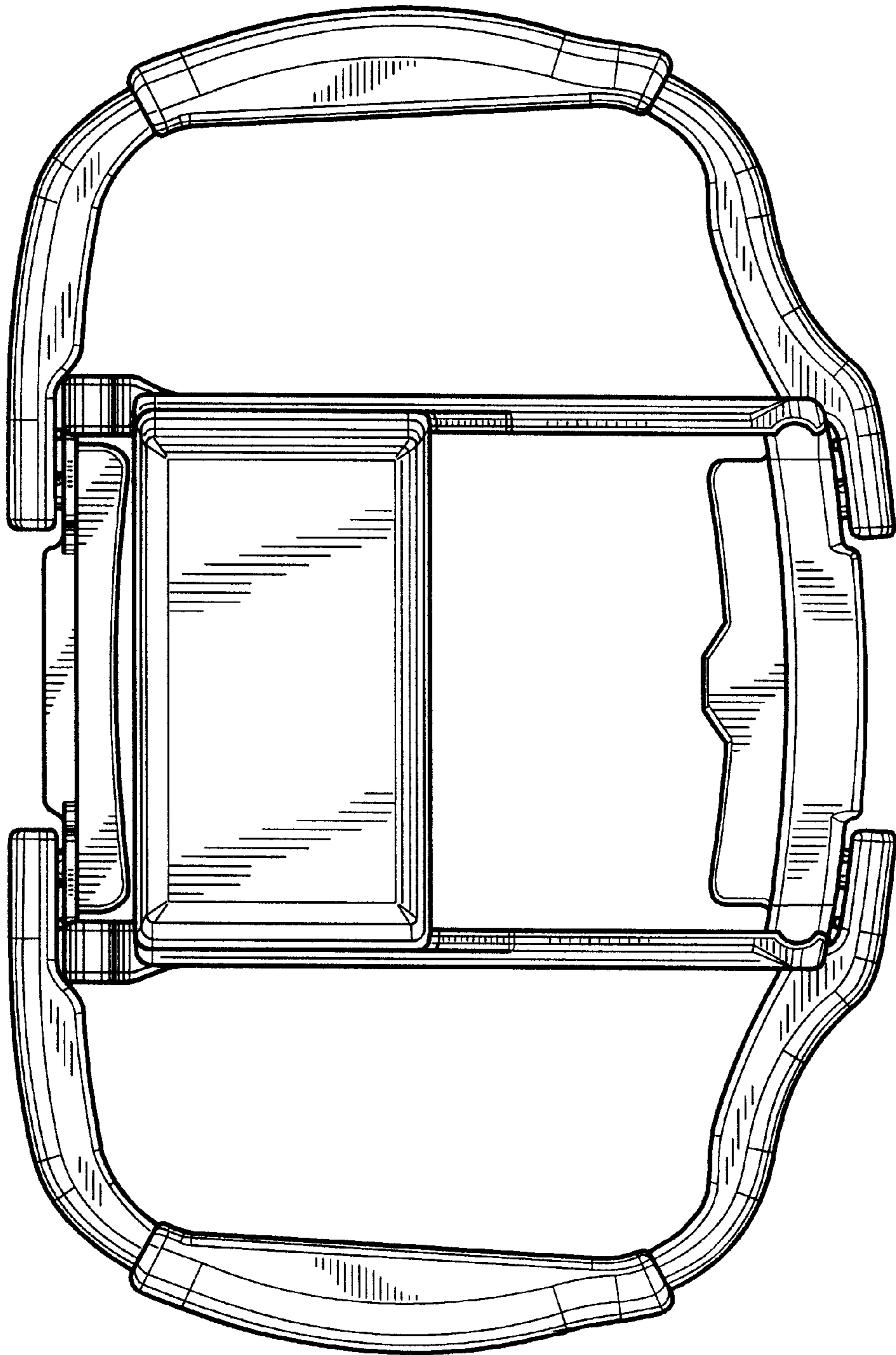


FIG. 3

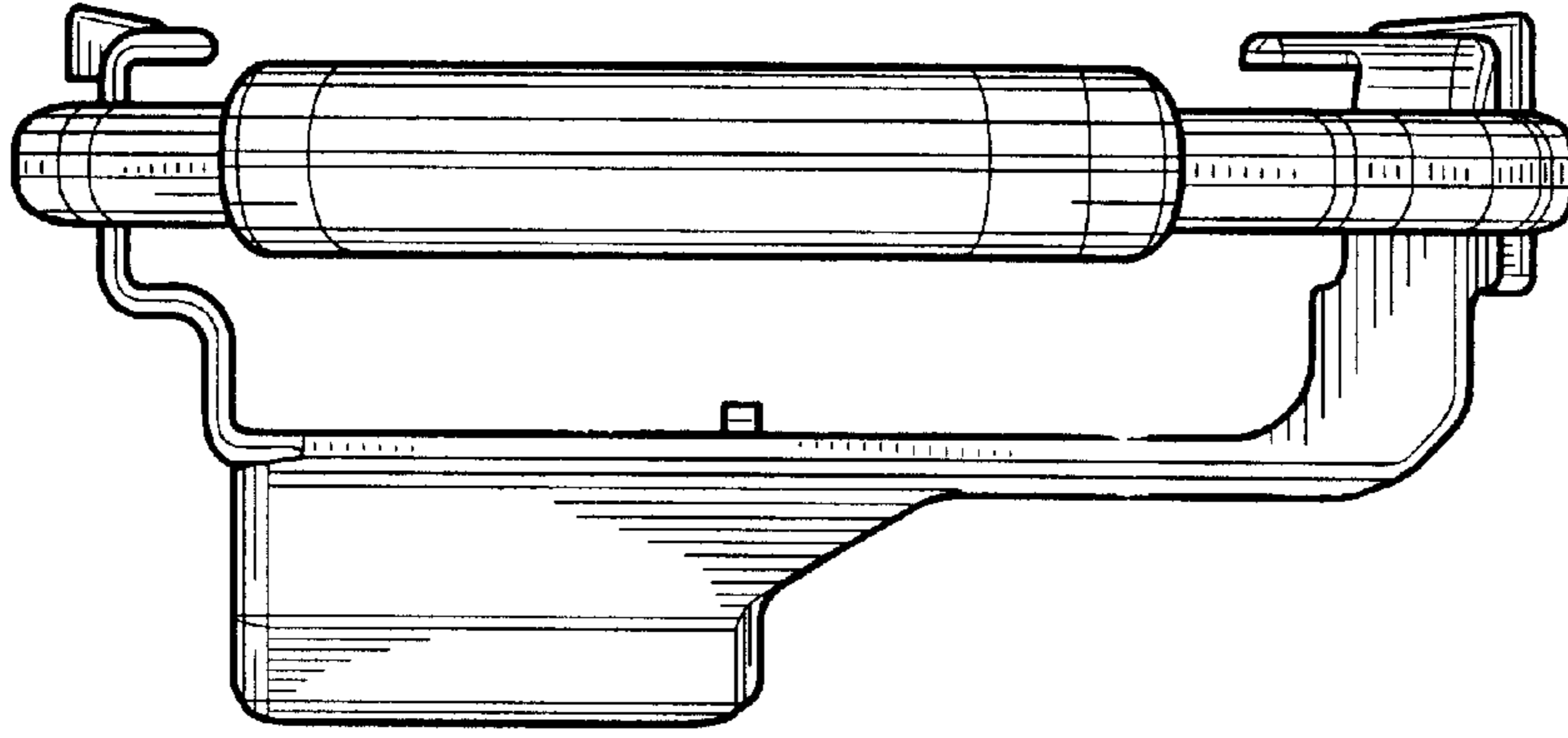


FIG. 5

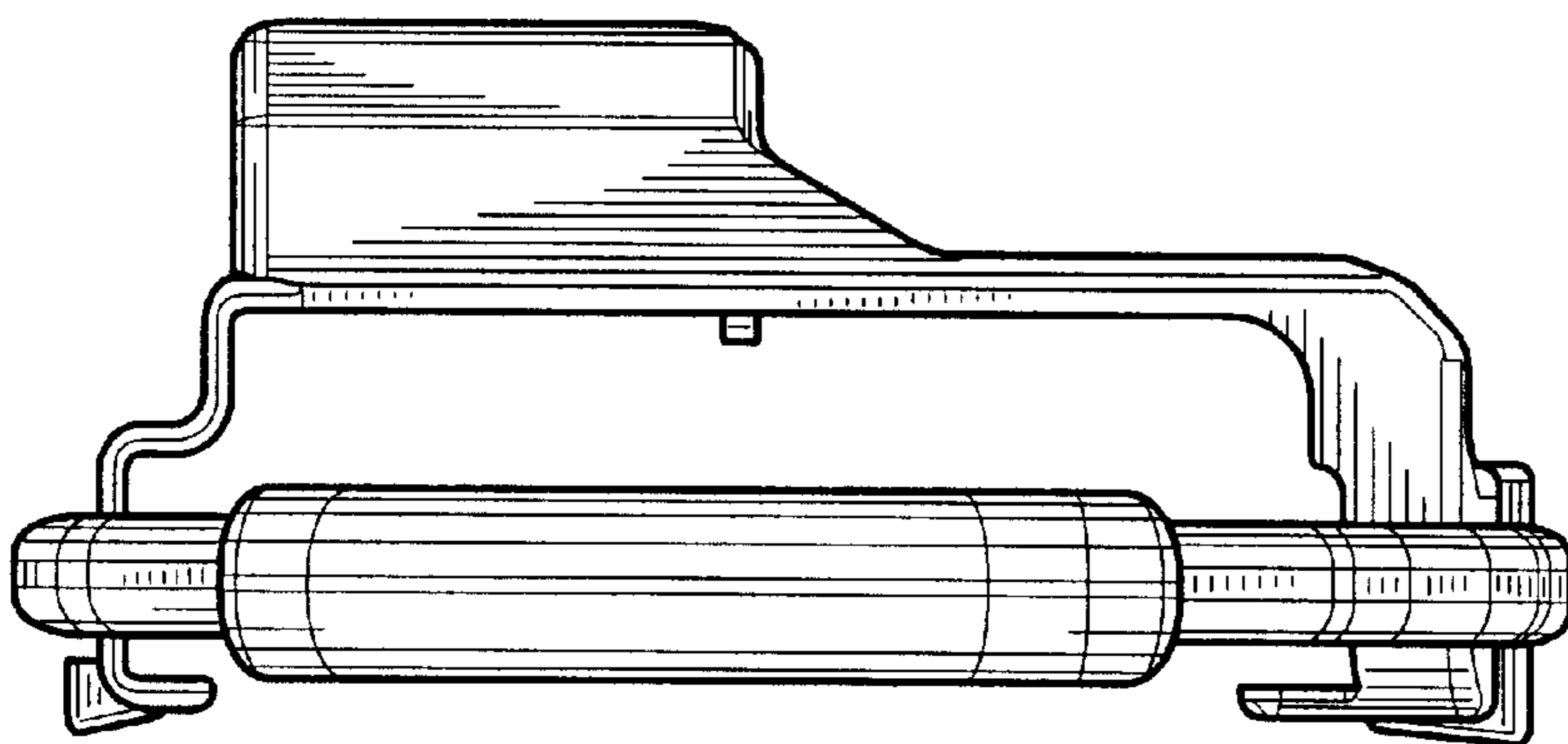


FIG. 4

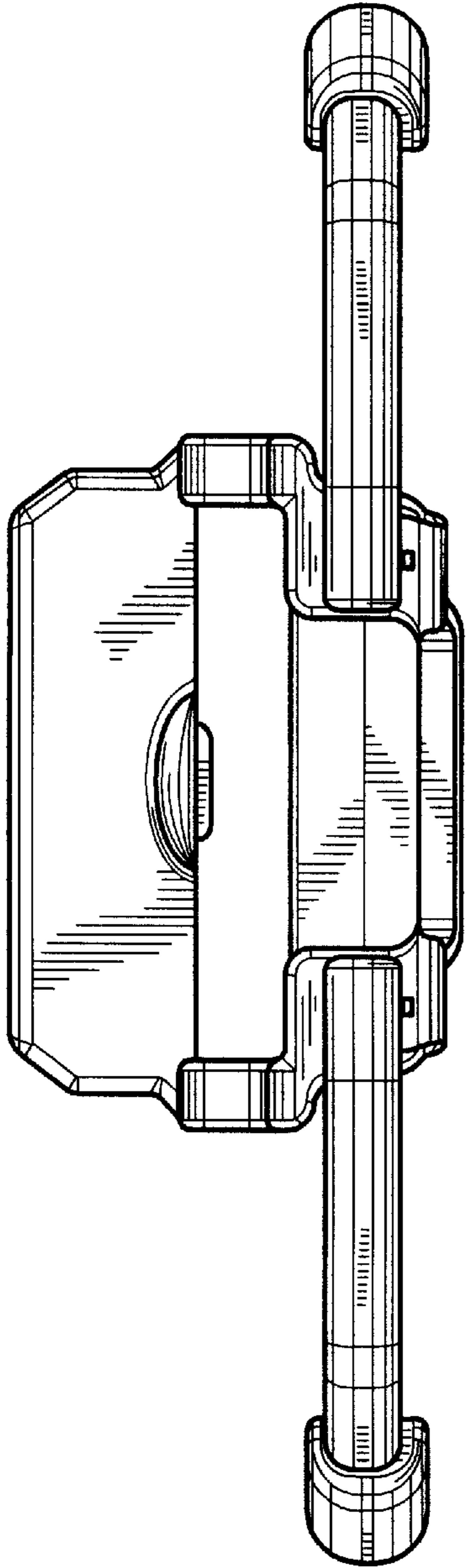


FIG. 6

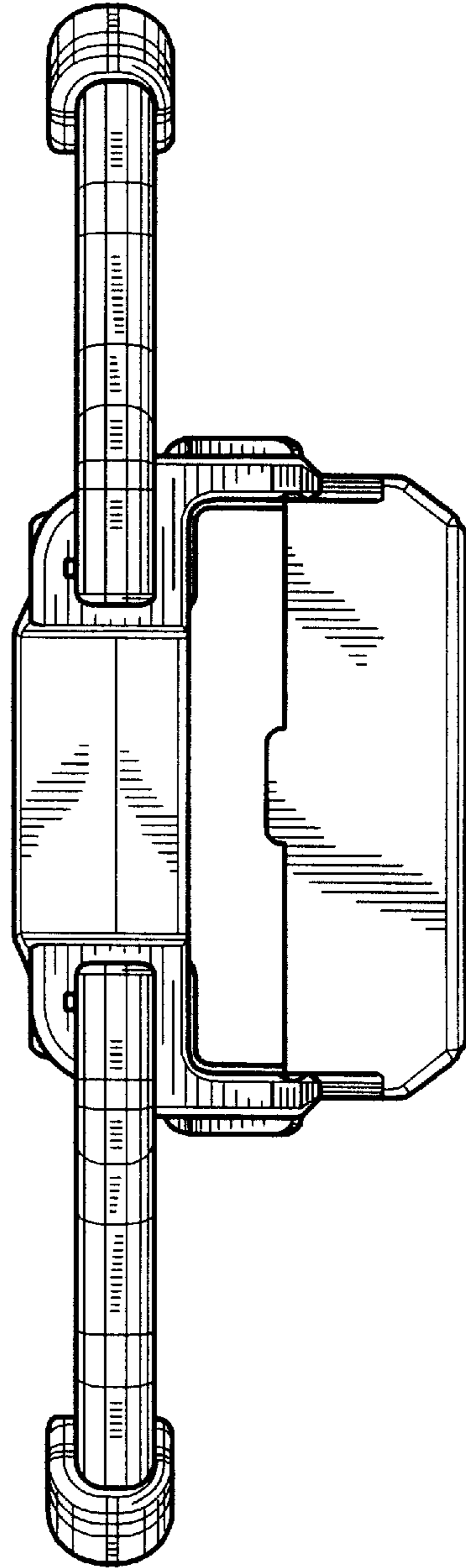


FIG. 7

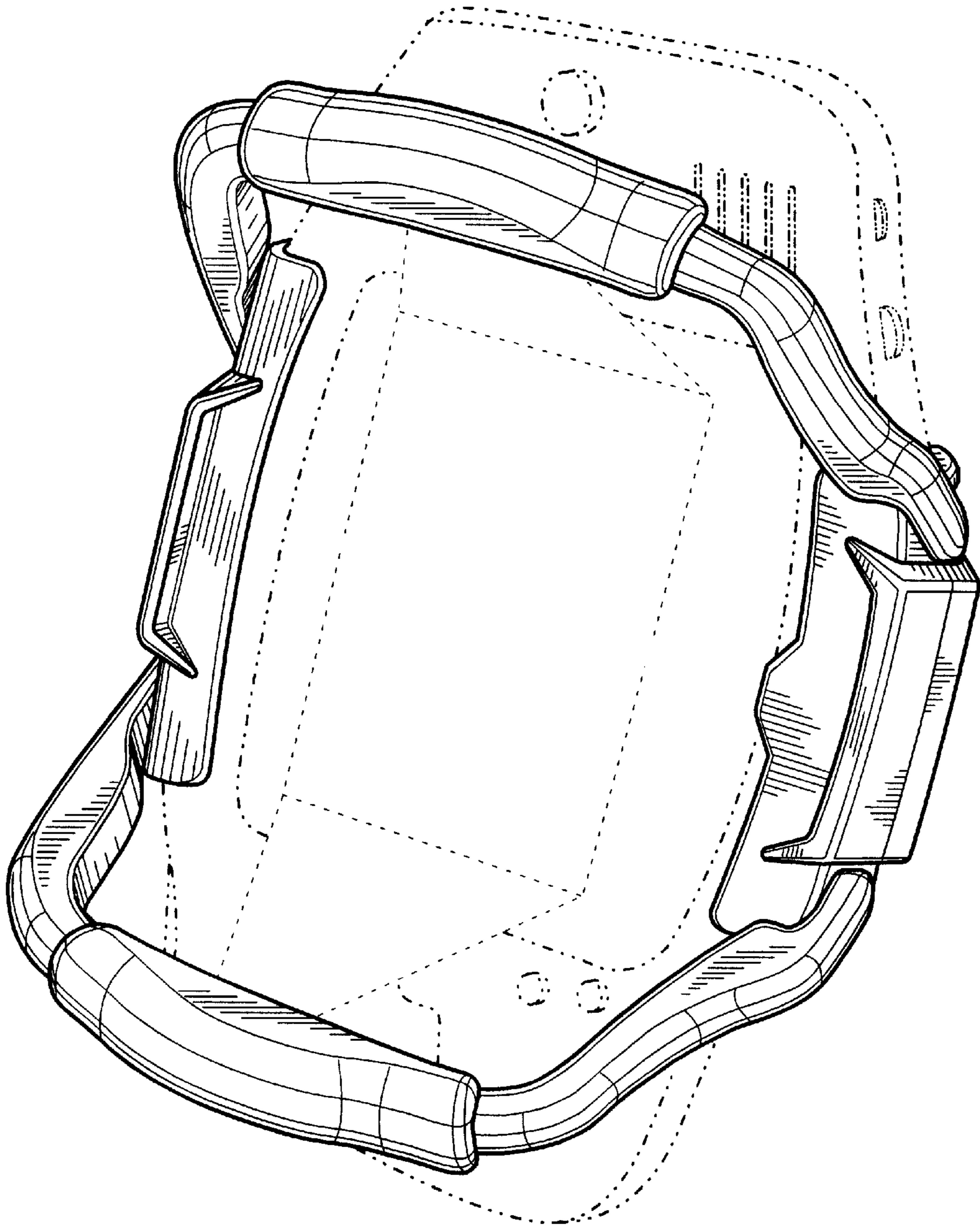


FIG. 8