



US00D466950S

(12) **United States Design Patent**
Monroe, Jr.

(10) **Patent No.:** **US D466,950 S**
(45) **Date of Patent:** **** Dec. 10, 2002**

- (54) **ROTATABLE MARBLE-SEQUESTERING SKILL GAME**
- (76) Inventor: **Donald Monroe, Jr.**, 3201 Rita La. NW., Huntsville, AL (US) 38862
- (**) Term: **14 Years**
- (21) Appl. No.: **29/148,056**
- (22) Filed: **Sep. 12, 2001**
- (51) **LOC (7) Cl.** **21-01**
- (52) **U.S. Cl.** **D21/310**
- (58) **Field of Search** D21/300, 310, D21/311; 273/118 R, 120 R, 120 A, 121 A, 121 B, 119 A, 123 R, 126 R, 126 A, 138.1, 153 S; 446/168, 170

- 4,260,155 A * 4/1981 Jordan 273/120 R
- D262,042 S * 11/1981 Lahtinen D21/310
- 4,316,613 A 2/1982 Harris
- 4,376,537 A * 3/1983 Yokoi 273/153 S
- 4,385,766 A 5/1983 Grow
- 4,512,579 A 4/1985 Clipper
- 5,494,292 A 2/1996 Mileti
- 5,803,452 A 9/1998 DeCristoforo
- 6,010,130 A 1/2000 Schreiber

* cited by examiner

Primary Examiner—Prabhakar Deshmukh
(74) *Attorney, Agent, or Firm*—Lanier Ford Shaver & Payne, P.C.; Gerald M. Walsh, Ph.D.

(57) **CLAIM**

I claim the ornamental design for a rotatable marble-sequestering skill game, as shown and described.

(56) **References Cited**

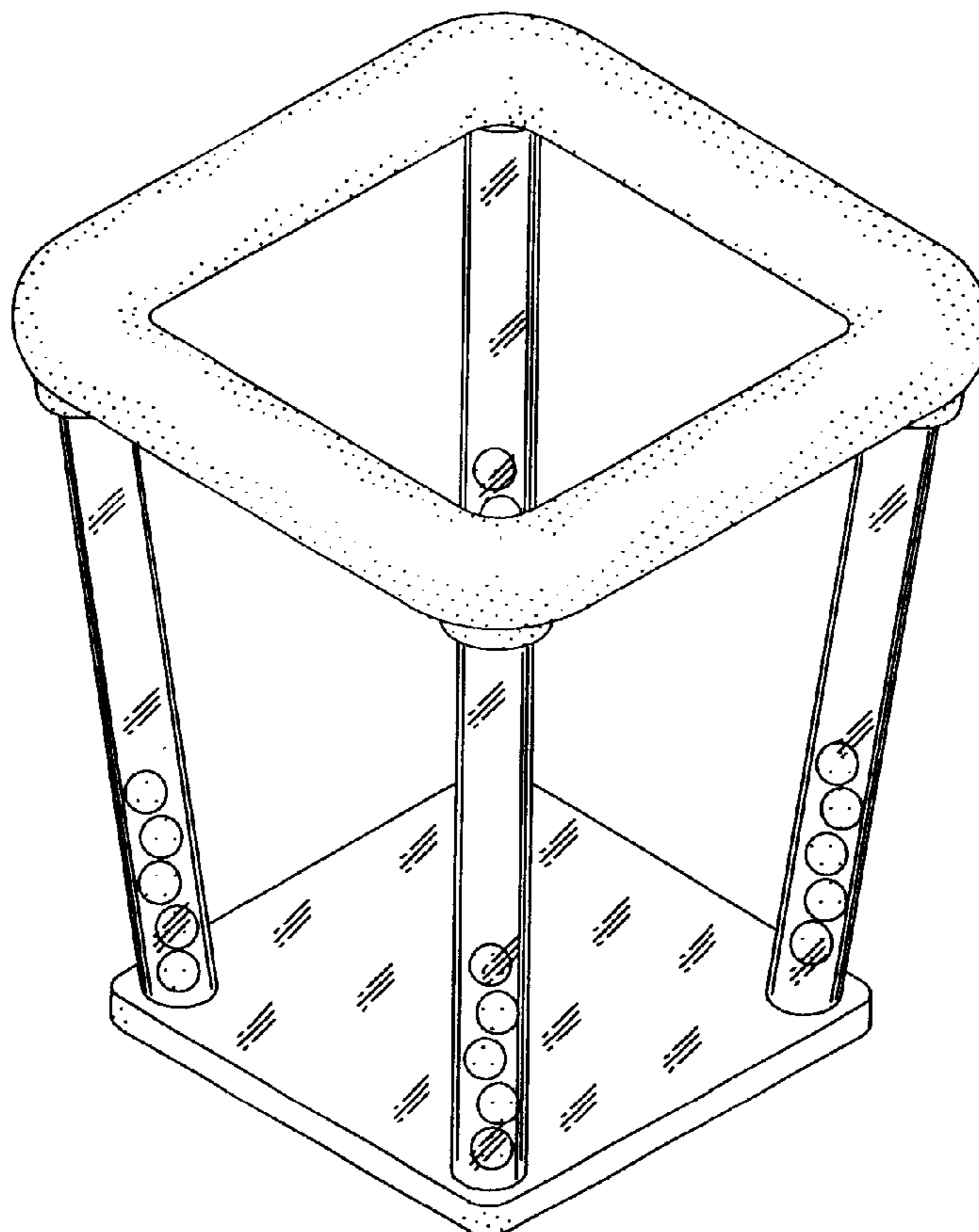
U.S. PATENT DOCUMENTS

- 772,281 A 10/1904 Jurado
- D102,421 S * 12/1936 Fry D21/310
- 2,336,773 A * 12/1943 Black et al. 273/120 R
- 2,571,521 A * 10/1951 Barnhart 446/170
- 3,275,323 A * 9/1966 Achen 273/120 R
- 3,388,483 A * 6/1968 Weisbecker 273/118 R
- 3,638,945 A * 2/1972 Berslow 273/120 R
- 3,851,879 A * 12/1974 Hicks 273/120 R
- 3,934,881 A * 1/1976 Goldfarb et al. 273/120 R

DESCRIPTION

FIG. 1 is a top perspective view of the rotatable marble-sequestering skill game of the present invention.
 FIG. 2 is a bottom perspective view thereof.
 FIG. 3 is a top plan view thereof.
 FIG. 4 is a bottom plan view thereof; and,
 FIG. 5 is a side elevation view thereof, all sides having the same features and appearance.
 The drawing FIGS. 3-5 are drawn in an enlarged scale.

1 Claim, 3 Drawing Sheets



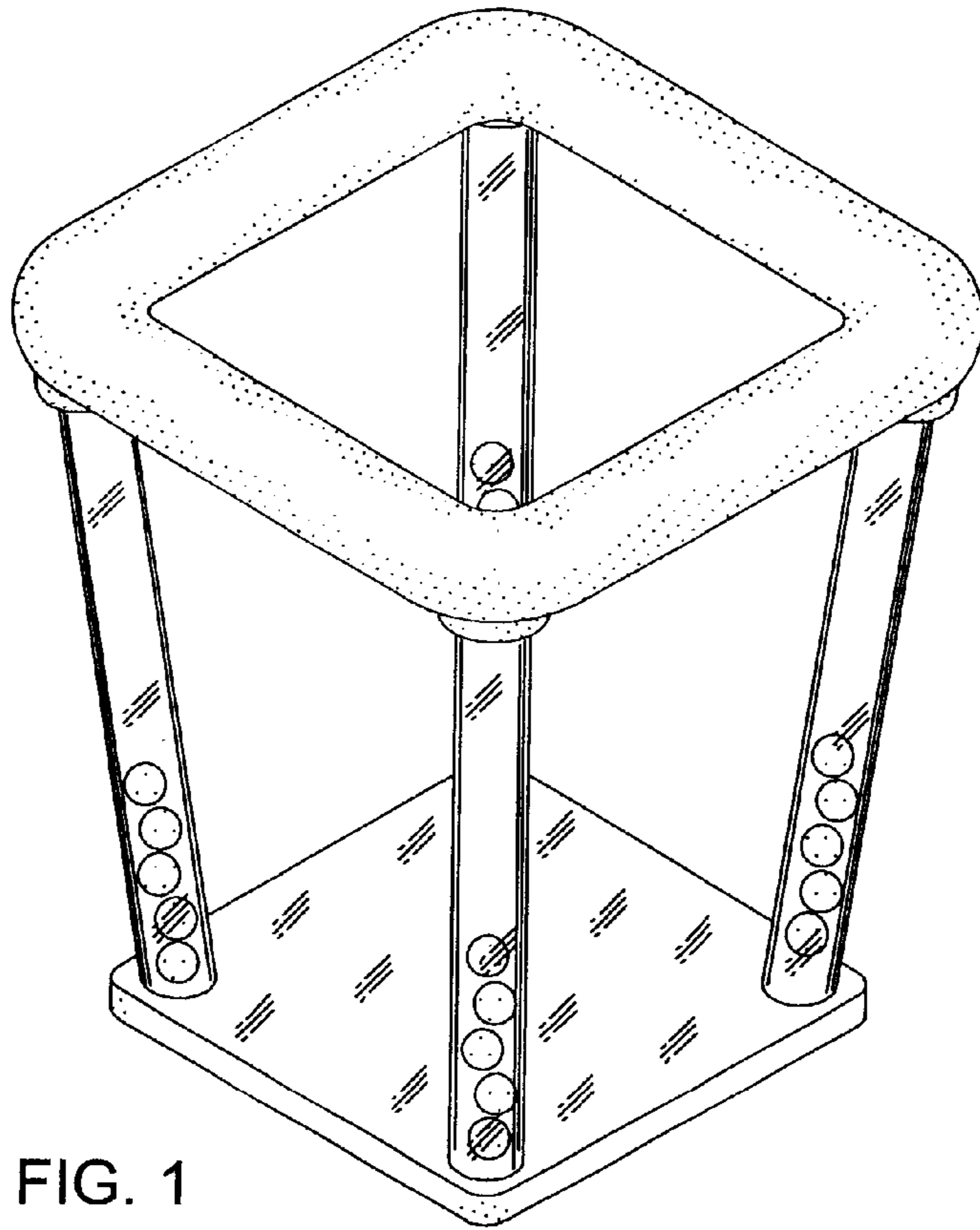


FIG. 1

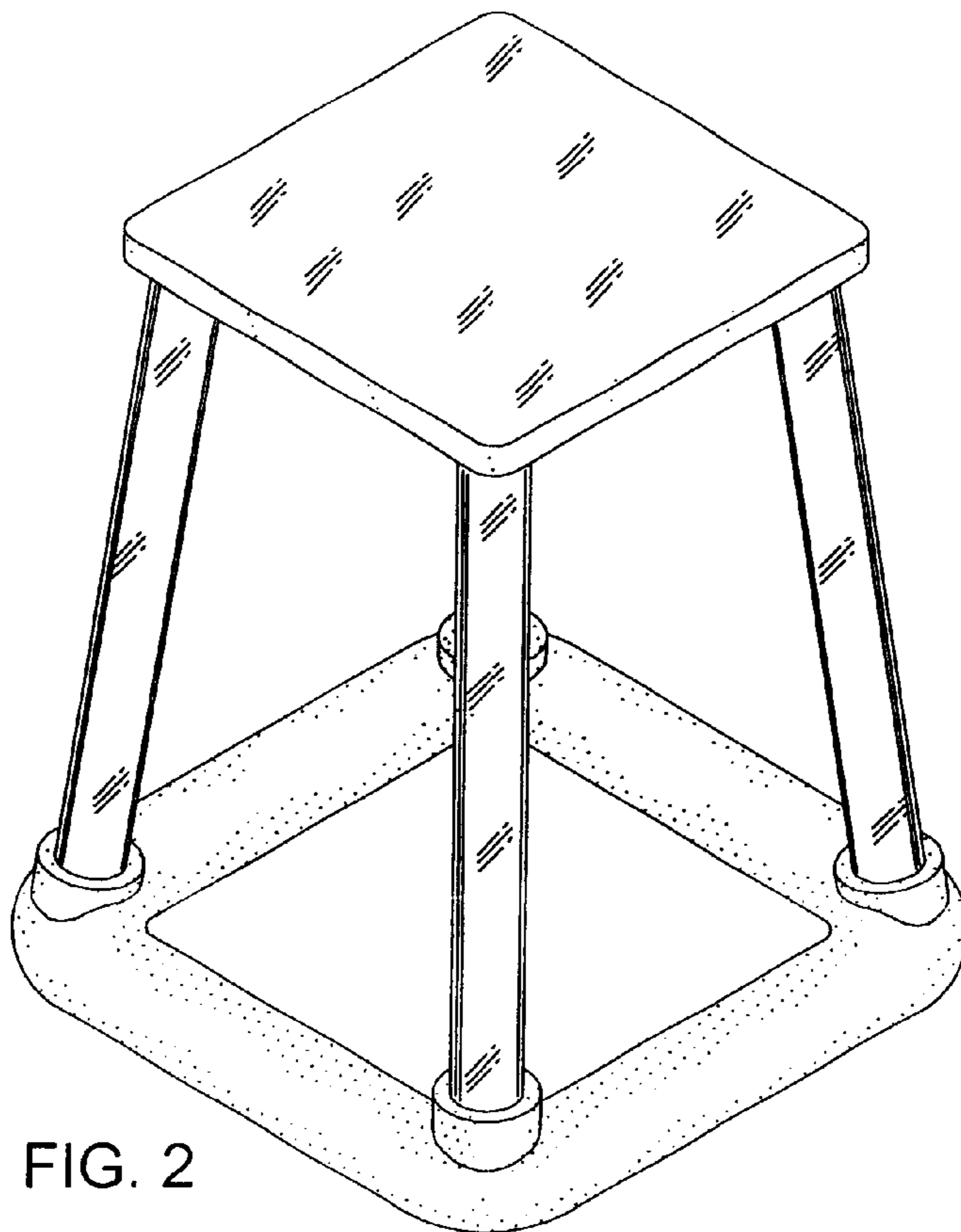


FIG. 2

FIG. 3

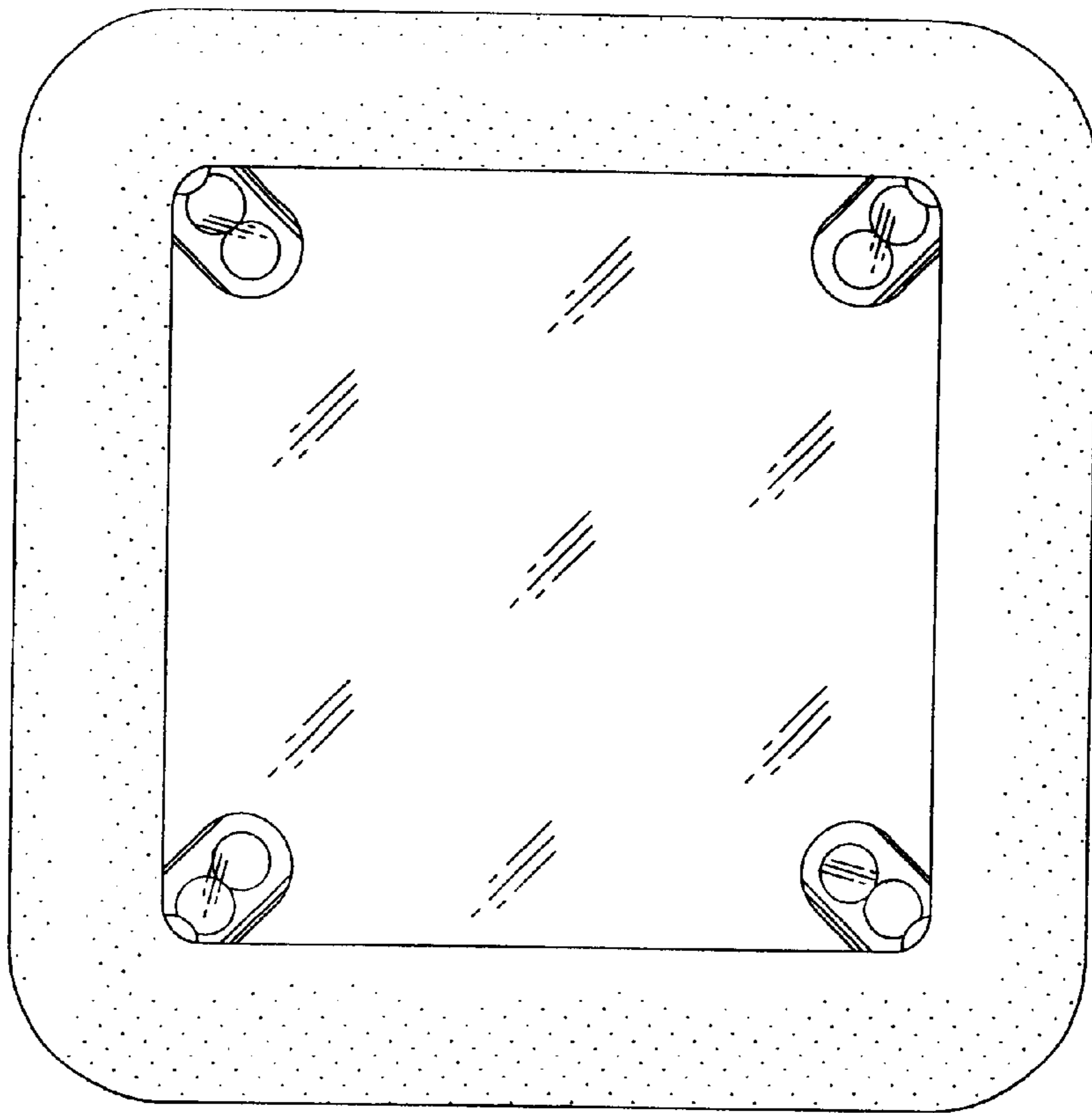
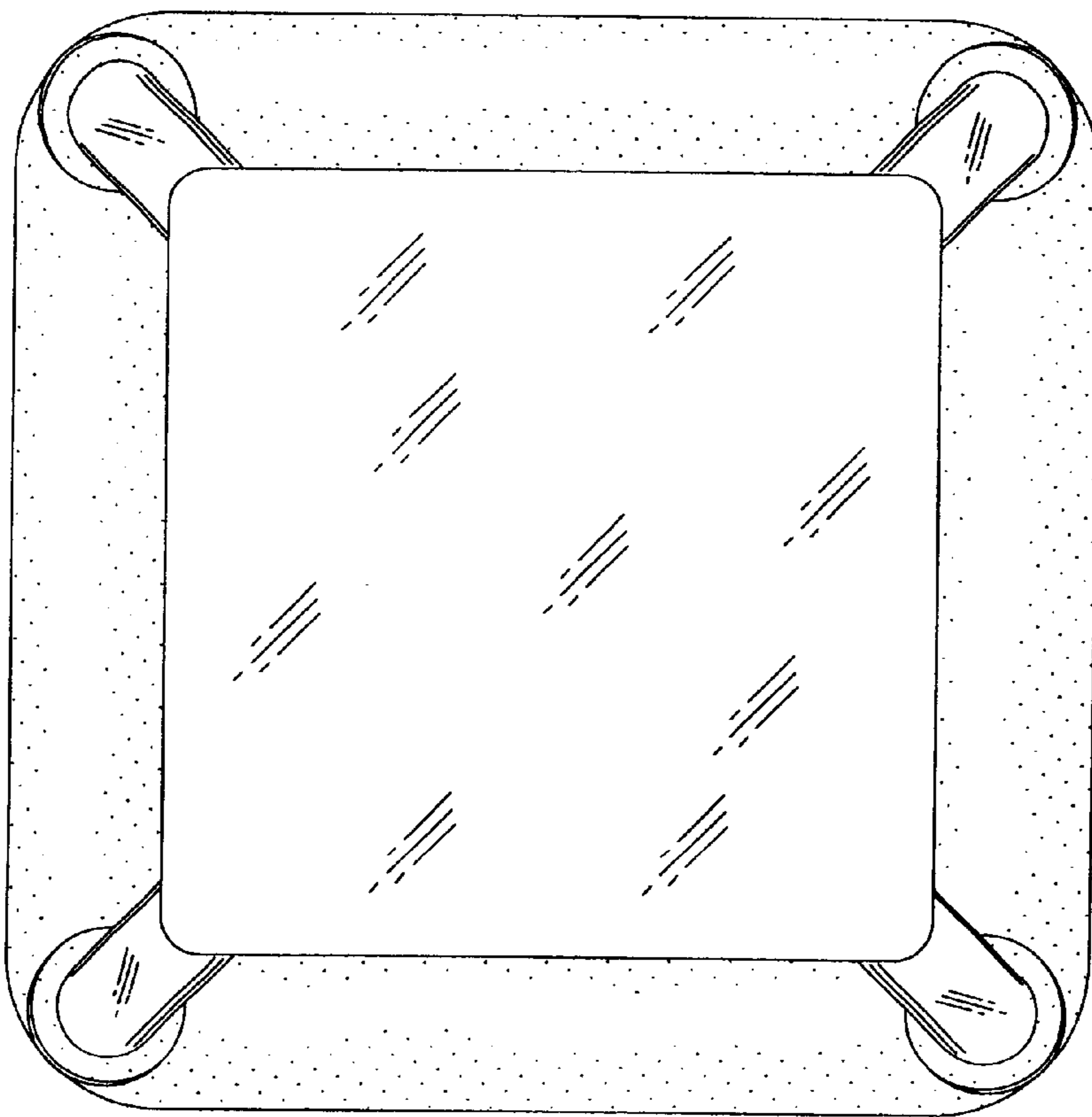


FIG. 4



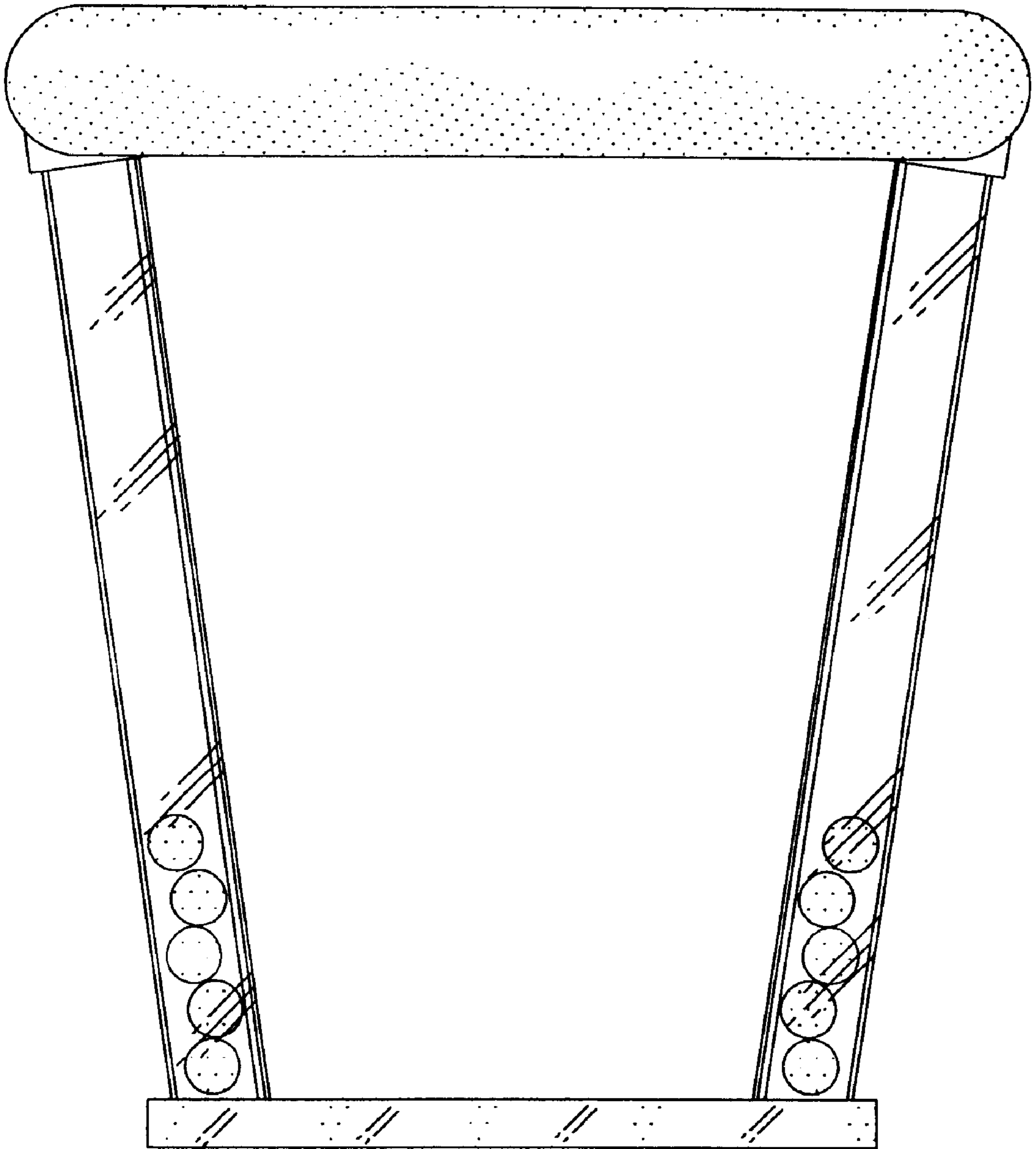


FIG. 5