



US00D466939S

(12) **United States Design Patent**
Lee

(10) **Patent No.:** **US D466,939 S**

(45) **Date of Patent:** **** Dec. 10, 2002**

(54) **CORRECTION TAPE DISPENSER**

(75) Inventor: **Jung-Ho Lee**, Inchon-shi (KR)

(73) Assignee: **Jaiel General Col., Ltd.**, Kyung-Gi-Do (KR)

(**) Term: **14 Years**

(21) Appl. No.: **29/152,726**

(22) Filed: **Dec. 21, 2001**

(51) **LOC (7) Cl.** **19-02**

(52) **U.S. Cl.** **D19/69; D19/67; D19/53**

(58) **Field of Search** D19/65, 66, 67, D19/68, 69, 89, 72, 99, 100; 225/6, 7, 12, 19, 22, 25, 34, 35, 46, 45, 56, 57, 74, 77, 89, 11; 242/588, 588.1-588.6, 590, 538.1; 156/327, 523, 527, 576, 577, 540; 400/248

(56) **References Cited**

U.S. PATENT DOCUMENTS

- D368,115 S * 3/1996 Kouda D19/69
- D378,532 S * 3/1997 Suzuki D19/69
- 5,759,341 A * 6/1998 Kobayashi 156/540

- 5,795,085 A * 8/1998 Yoo 400/248
- D400,923 S * 11/1998 Katami D19/69
- 5,851,347 A * 12/1998 Rodriguez 156/576
- D410,494 S * 6/1999 Hoffmann D19/69
- D410,955 S * 6/1999 Hoffmann D19/69
- 6,079,660 A * 6/2000 Manusch et al. 242/538.1
- D452,273 S * 12/2001 Blom et al. D19/46

* cited by examiner

Primary Examiner—Martie K. Holtje

(57) **CLAIM**

I claim the ornamental design for the correction tape dispenser, as shown and described.

DESCRIPTION

FIG. 1 is a front perspective view of the new correction tape dispenser of the present invention.
 FIG. 2 is a top plan view thereof.
 FIG. 3 is a front view thereof.
 FIG. 4 is a left side view thereof.
 FIG. 5 is a right side view thereof.
 FIG. 6 is a bottom plan view thereof; and,
 FIG. 7 is a rear view thereof.

1 Claim, 3 Drawing Sheets

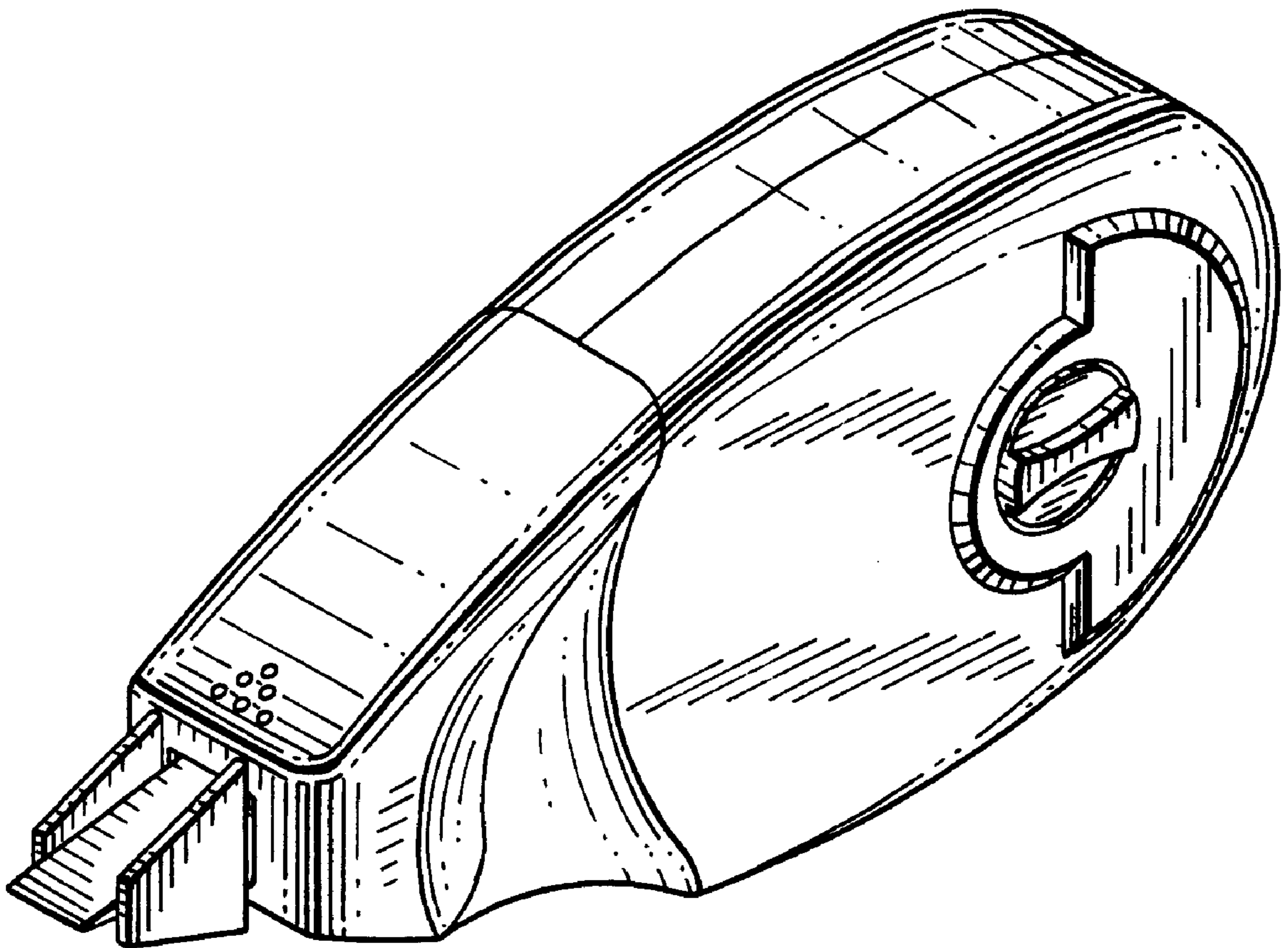
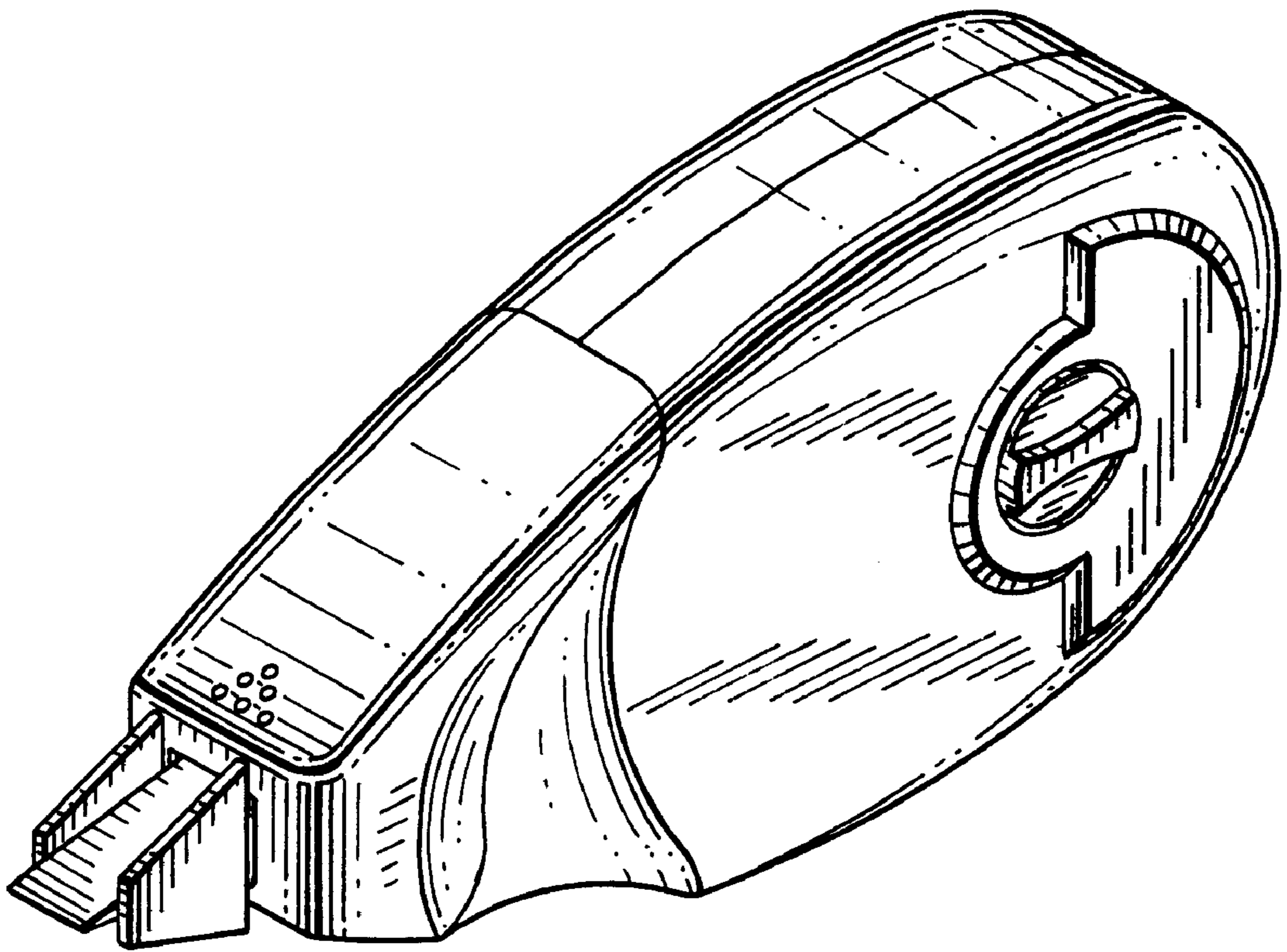


FIG. 1



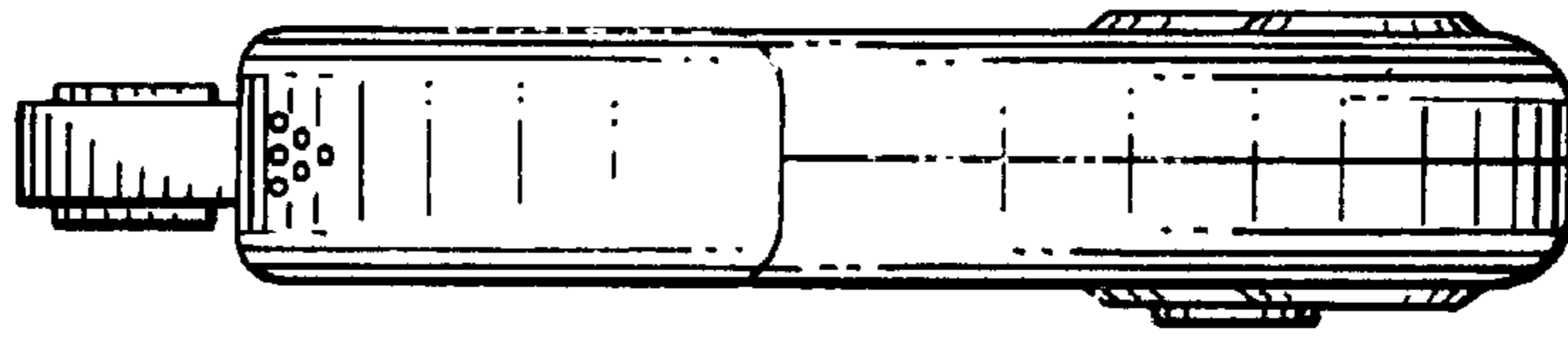


FIG. 2

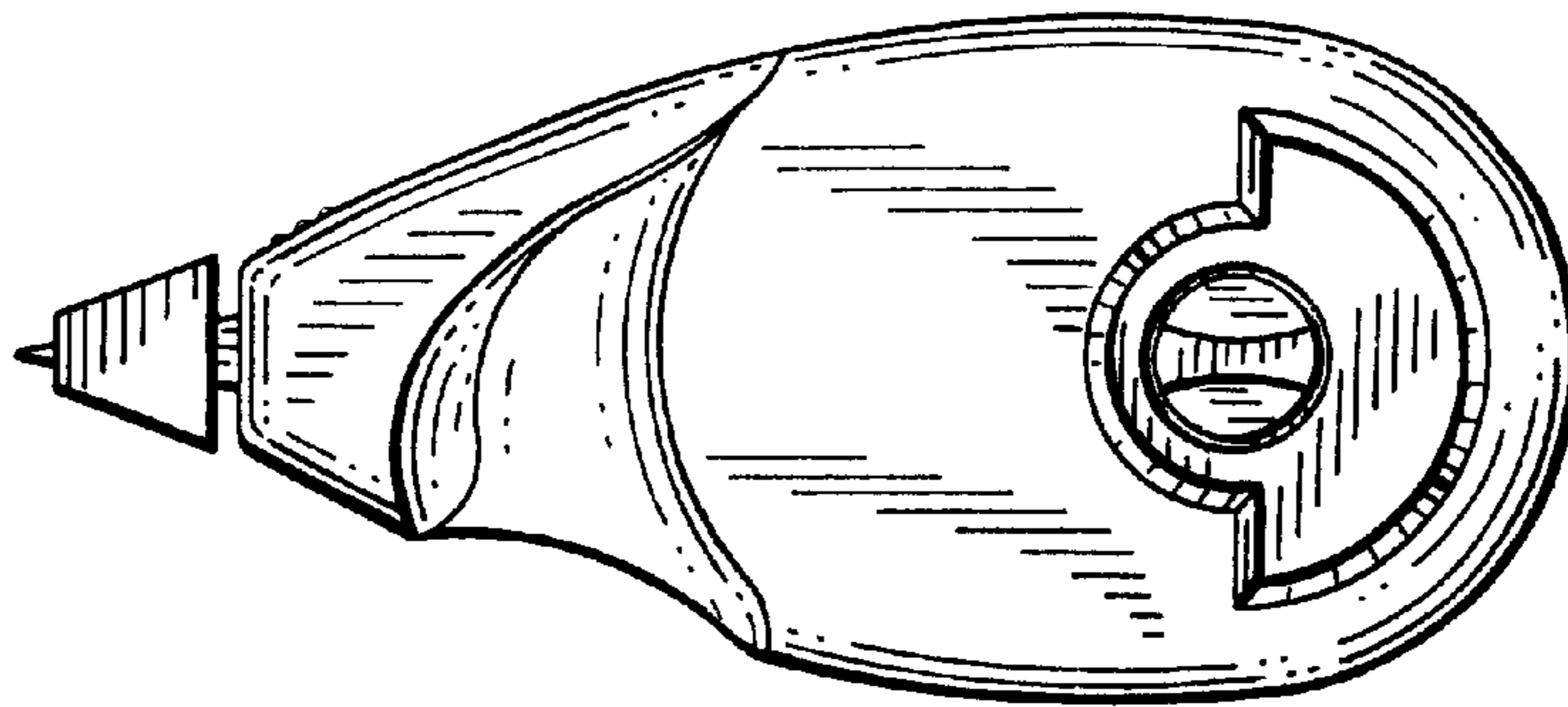


FIG. 3

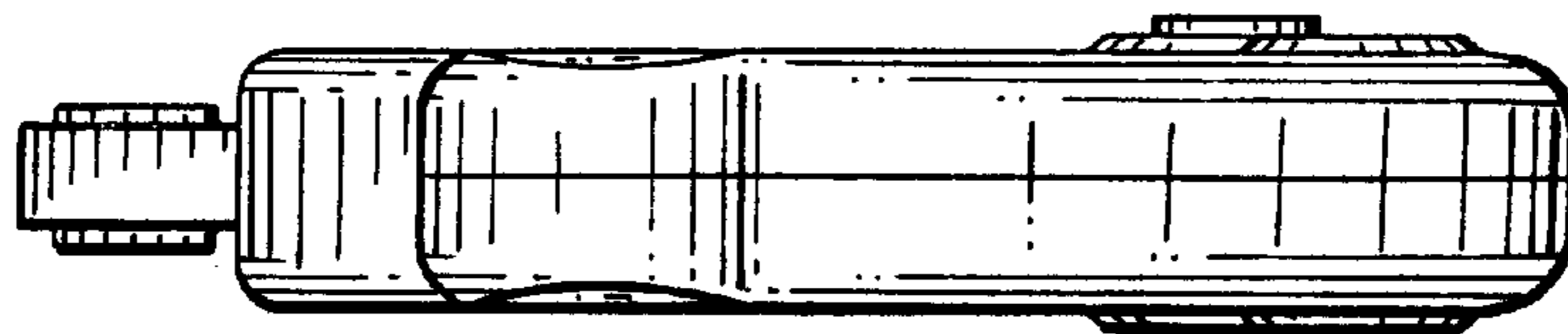


FIG. 6

FIG. 4

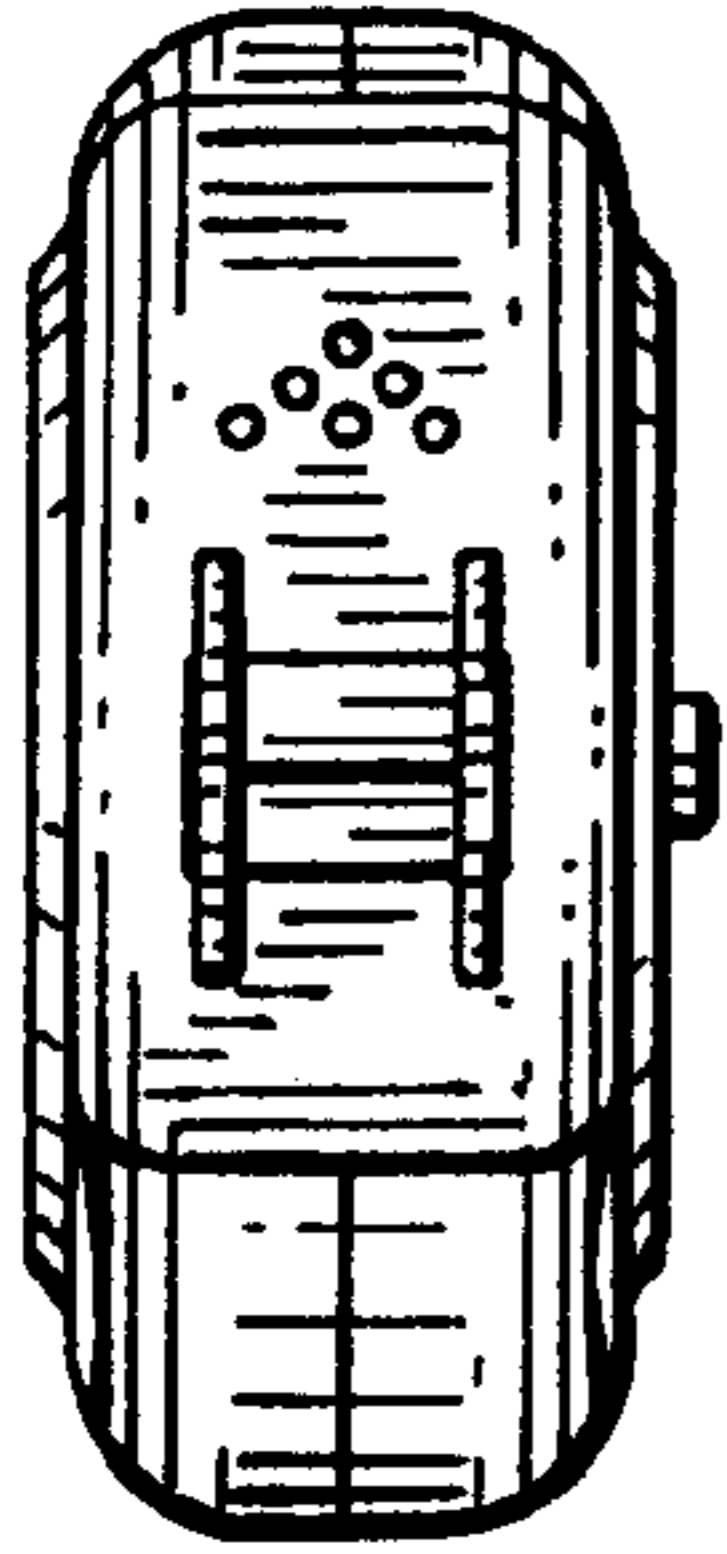


FIG. 5

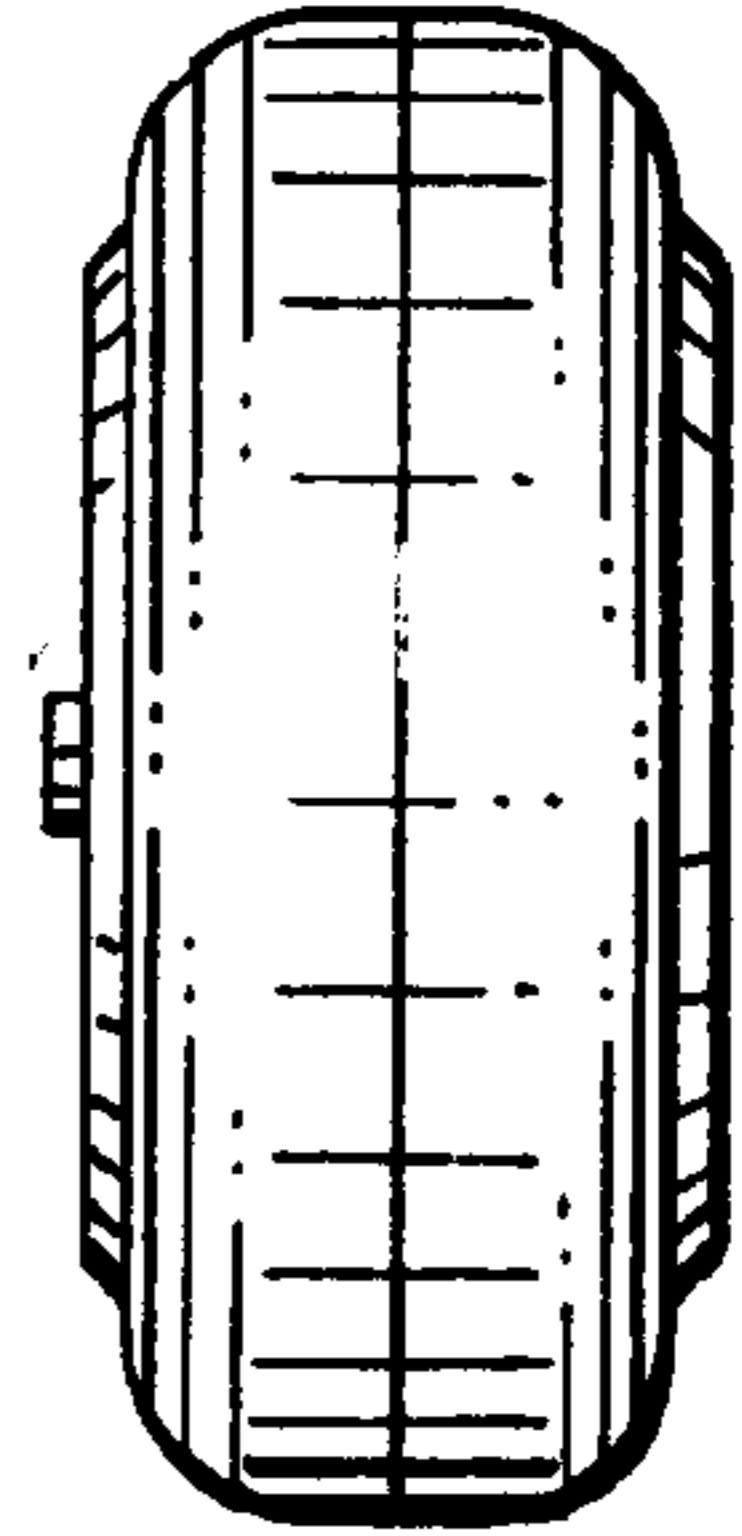


FIG. 7

