



US00D466936S

(12) **United States Design Patent**
Shaw et al.

(10) **Patent No.: US D466,936 S**

(45) **Date of Patent: ** Dec. 10, 2002**

(54) **MEDICAL TRAINING DEVICE FOR A
CARDIAC SEPTAL OCCLUDER**

6,171,329 B1 1/2001 Shaw et al. 606/213
D439,980 S * 4/2001 Reiley et al. D24/147

(75) Inventors: **Edward E. Shaw**, Flagstaff, AZ (US);
William J. Hendershot, Flagstaff, AZ
(US); **James F. Ottaviani**, Flagstaff, AZ
(US)

(73) Assignee: **Gore Enterprise Holdings, Inc.**,
Newark, DE (US)

(**) Term: **14 Years**

(21) Appl. No.: **29/124,600**

(22) Filed: **Jun. 7, 2000**

(51) **LOC (7) Cl. 19-07**

(52) **U.S. Cl. D19/62; D24/133**

(58) **Field of Search D19/59, 62; D24/133,
D24/140, 146, 147; 434/267, 268; 606/213**

(56) **References Cited**

U.S. PATENT DOCUMENTS

4,793,363	A	*	12/1988	Ausherman et al.	D24/147
5,391,183	A	*	2/1995	Janzen et al.	606/213
D358,645	S	*	5/1995	Ryan et al.	D24/147
5,722,836	A	*	3/1998	Yunker	434/267
5,879,366	A		3/1999	Shaw et al.	606/213
6,080,182	A		6/2000	Shaw et al.	606/213

OTHER PUBLICATIONS

HELEX™ Septal Occluder Training Manual. W.L. Gore &
Associates, Inc. Sep. 2001. 3 pages.

* cited by examiner

Primary Examiner—Adir Aronovich

(74) *Attorney, Agent, or Firm*—Eric J. Sheets

(57) **CLAIM**

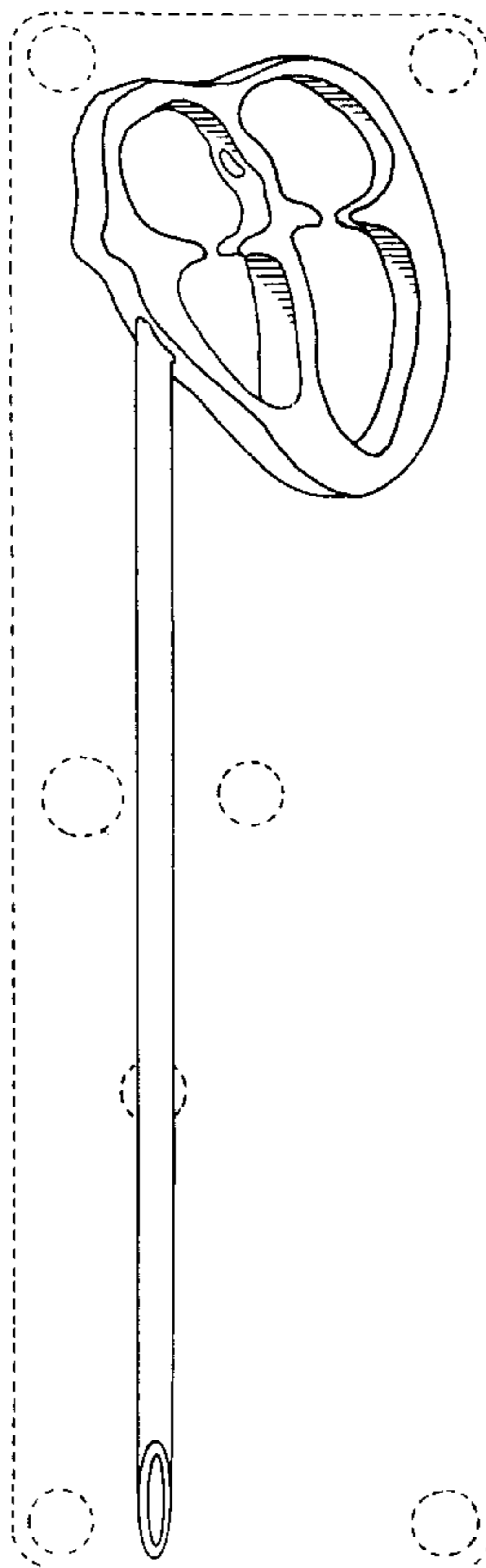
The ornamental design for a medical training device for a
cardiac septal occluder, as shown and described.

DESCRIPTION

FIG. 1 is a top plan view of a medical training device for a
cardiac septal occluder showing our new design;
FIG. 2 is a bottom plan view thereof;
FIG. 3 is a rear elevation view thereof;
FIG. 4 is a front elevation view thereof;
FIG. 5 is a right side elevation view thereof;
FIG. 6 is a top, right side perspective view thereof;
FIG. 7 is a front, perspective view thereof; and,
FIG. 8 is a top, left side perspective view thereof.

The broken lines shown in all views are to illustrate envi-
ronment only and form no part of the claimed design.

1 Claim, 8 Drawing Sheets



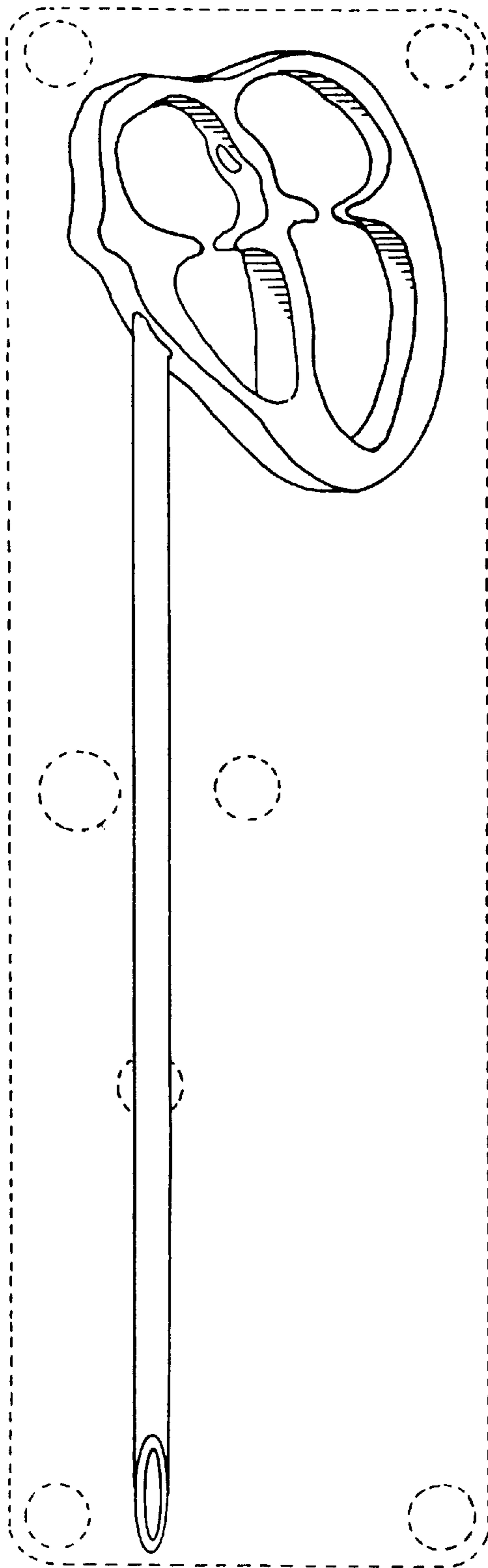


FIG. 1

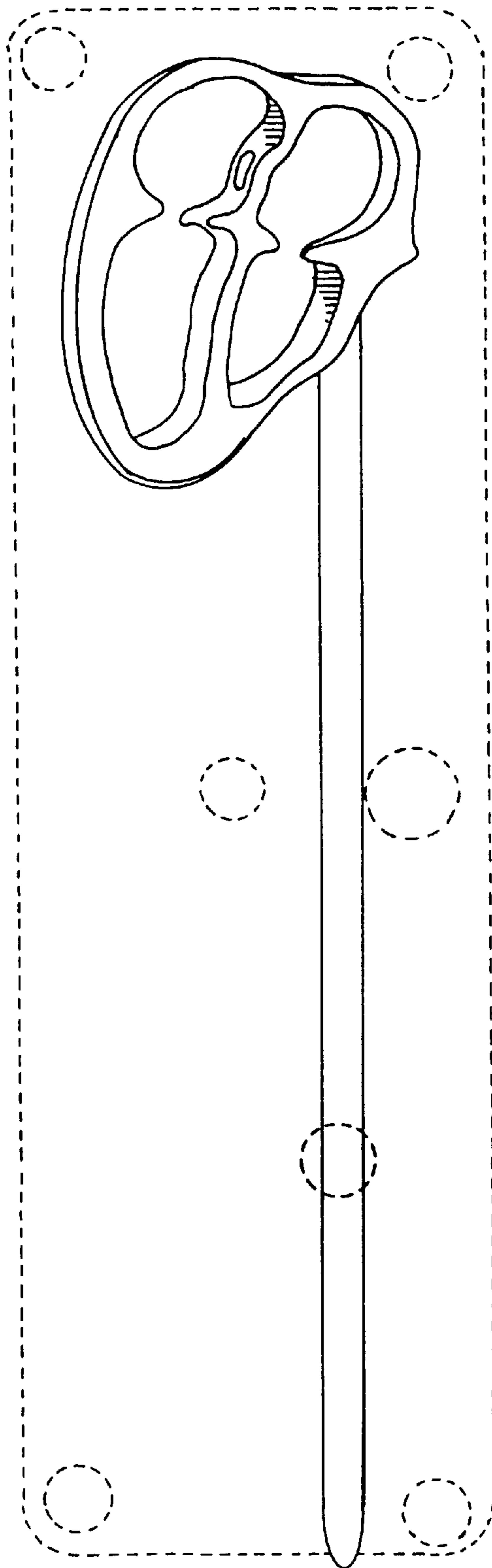


FIG. 2

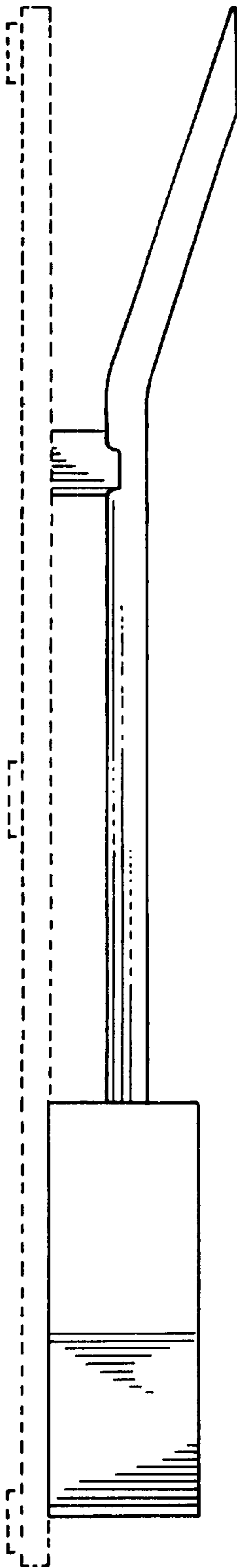


FIG. 3

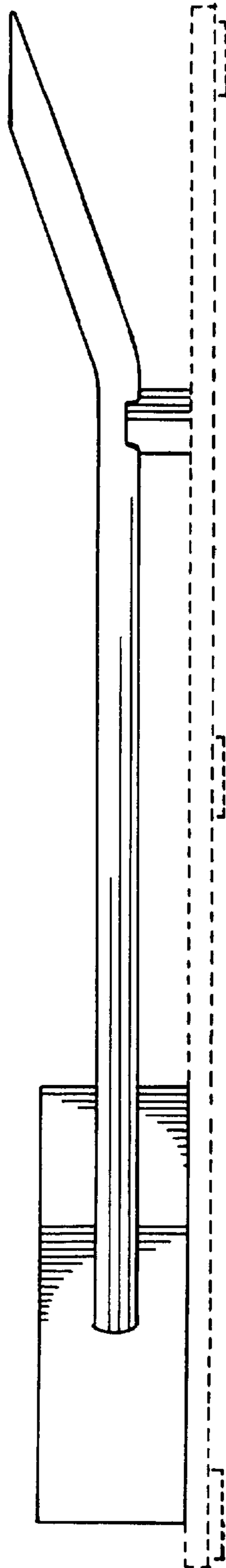


FIG. 4

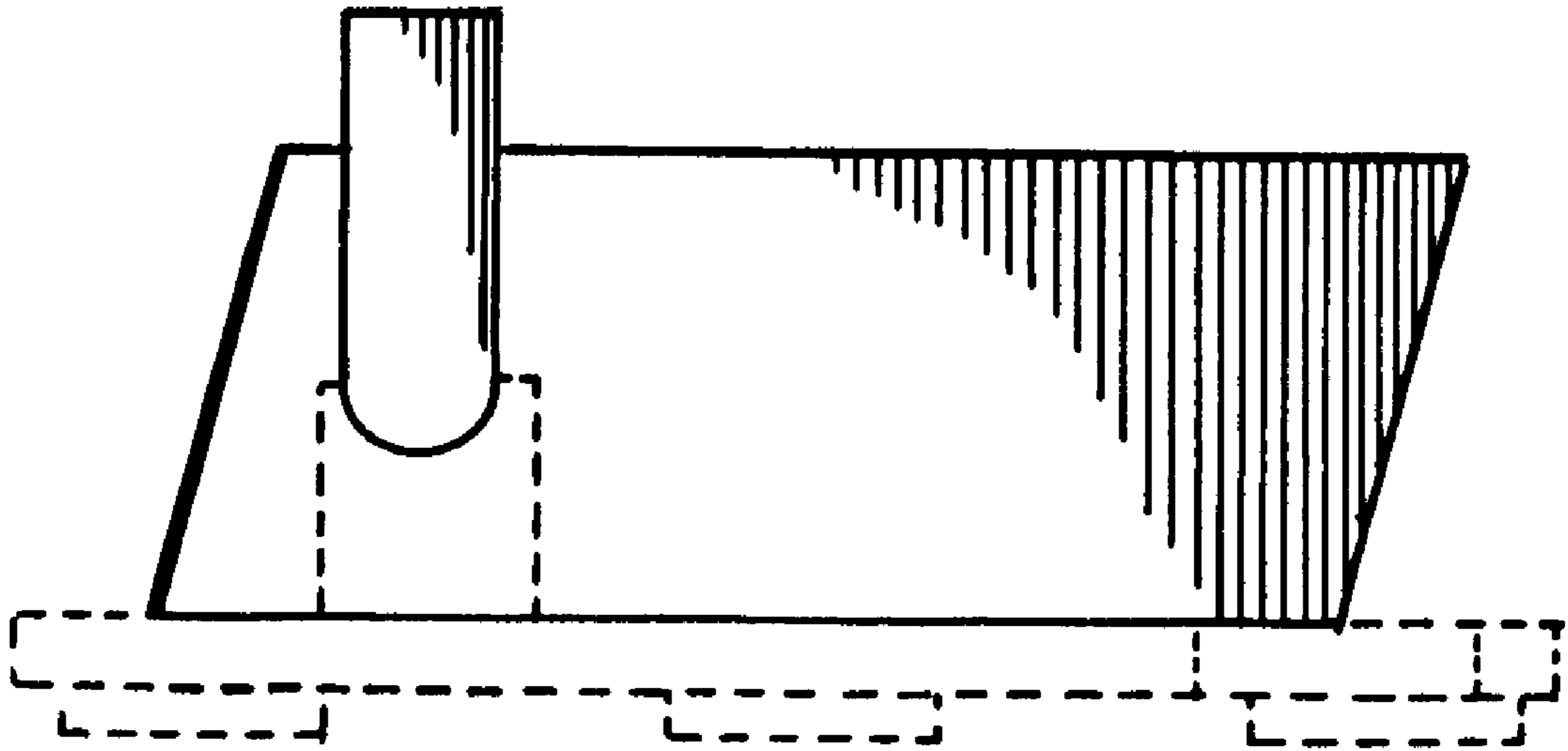


FIG. 5

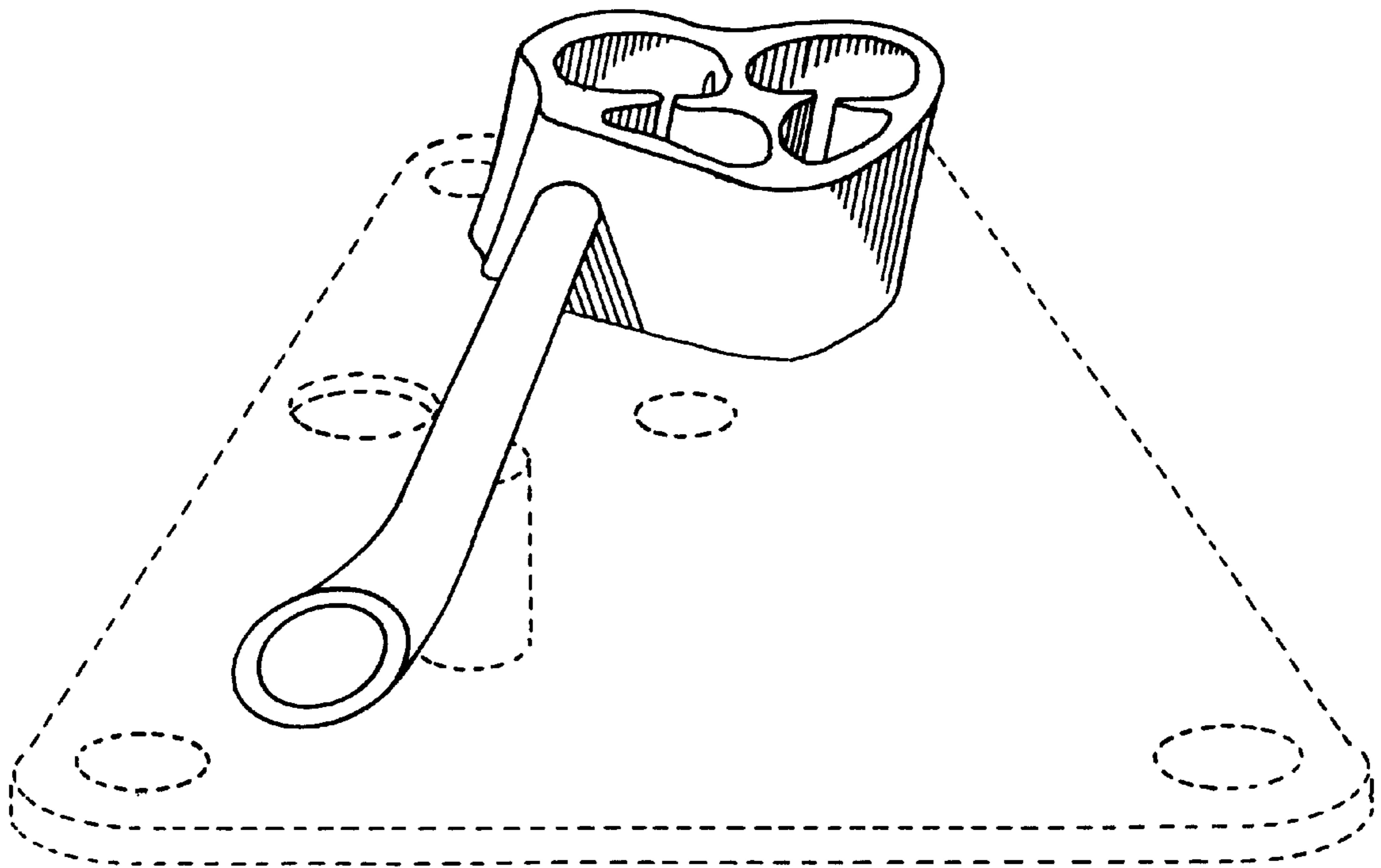


FIG. 6

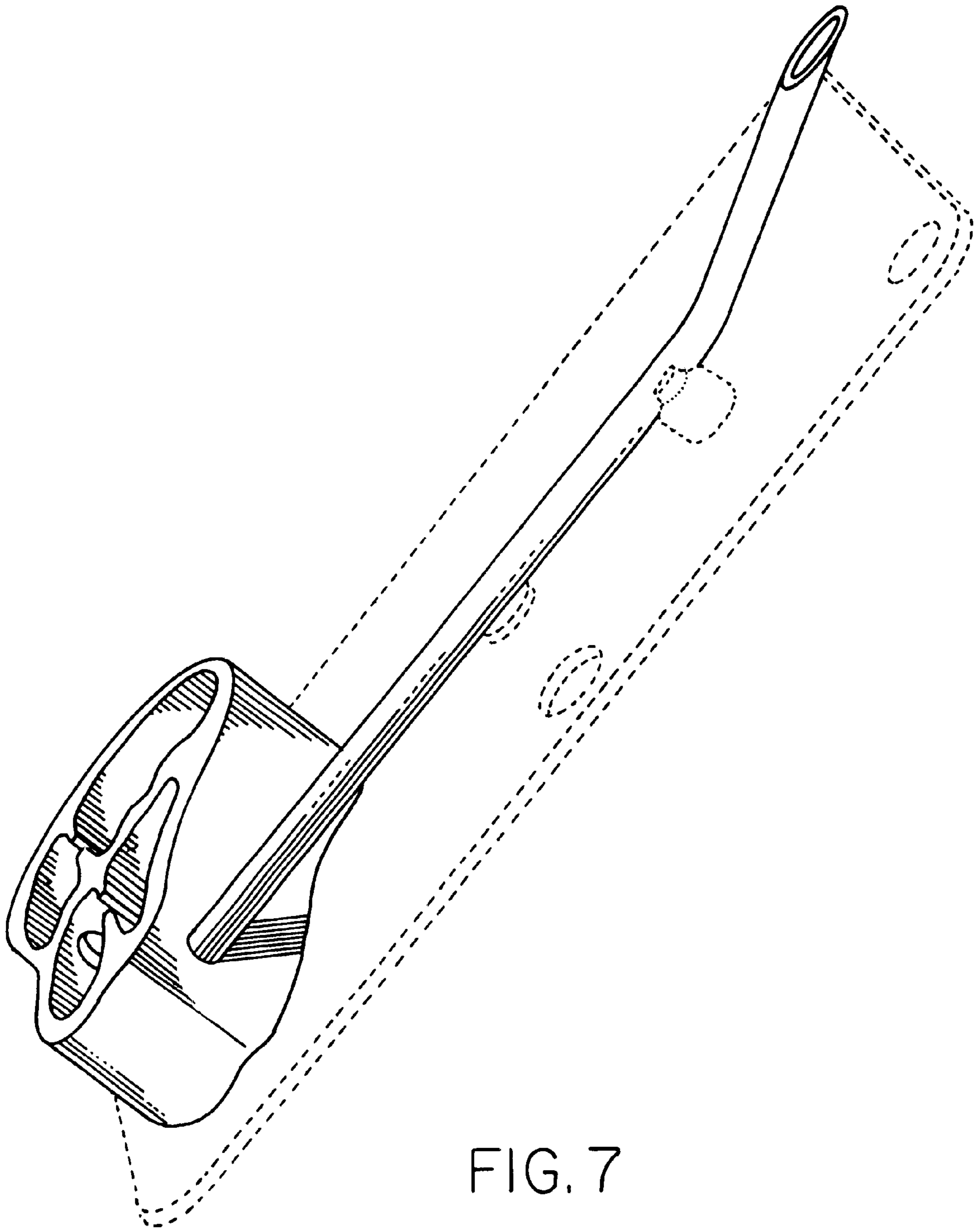


FIG. 7

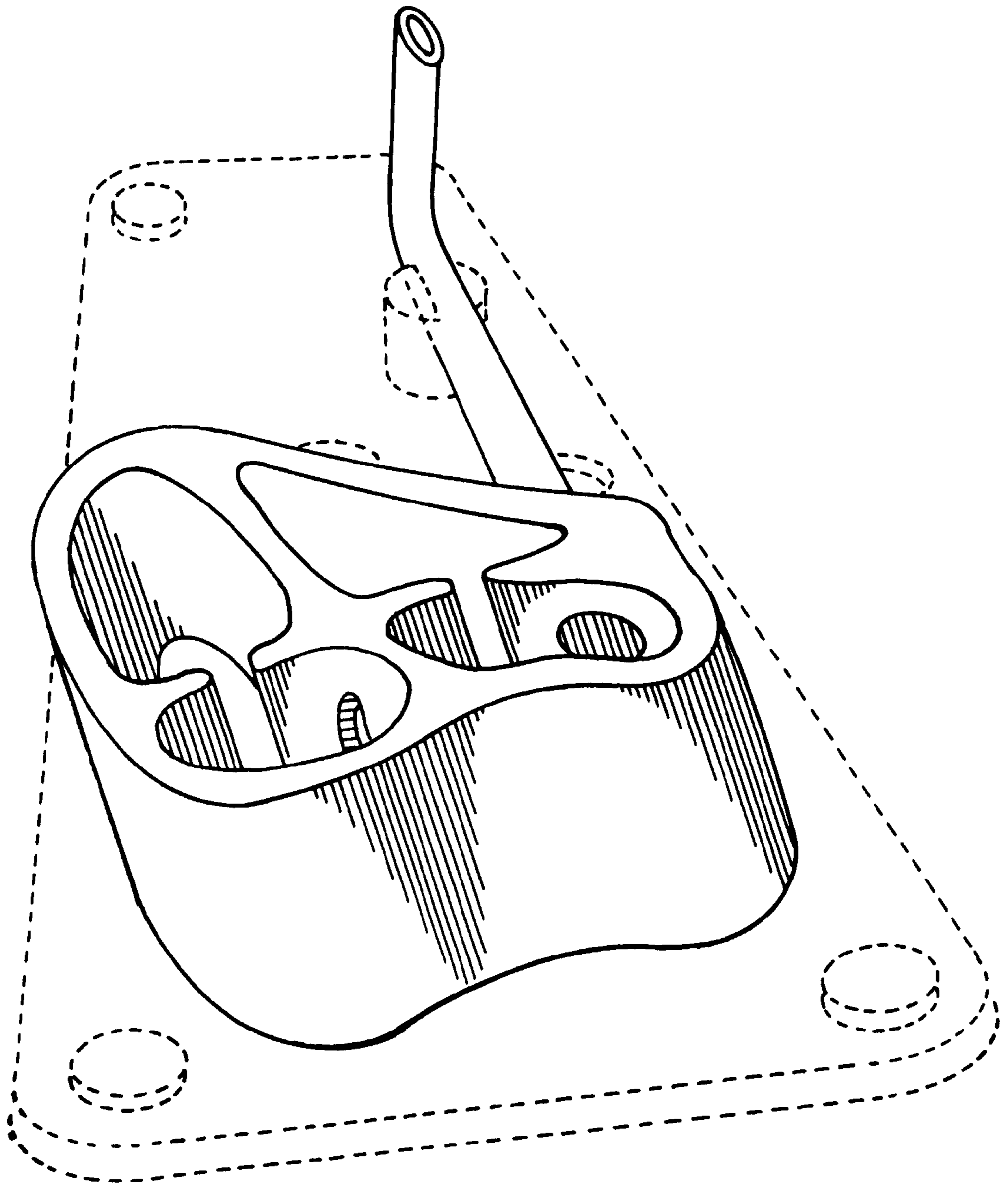


FIG. 8