



US00D466927S

(12) **United States Design Patent**  
**Mizutani et al.**

(10) **Patent No.:** **US D466,927 S**  
(45) **Date of Patent:** **\*\* Dec. 10, 2002**

(54) **INK TANK HOLDER WITH PRINTING HEAD FOR PRINTER**

(75) Inventors: **Michinari Mizutani**, Sagamihara (JP);  
**Shogo Kawamura**, Numazu (JP)

(73) Assignee: **Canon Kabushiki Kaisha**, Tokyo (JP)

(\*\*) Term: **14 Years**

(21) Appl. No.: **29/153,854**

(22) Filed: **Jan. 15, 2002**

(30) **Foreign Application Priority Data**

Jul. 18, 2001 (JP) ..... 2001-020947

(51) **LOC (7) Cl.** ..... **18-02**

(52) **U.S. Cl.** ..... **D18/56; 347/86**

(58) **Field of Search** ..... **D18/56, 43; 347/86, 347/87**

(56) **References Cited**

**U.S. PATENT DOCUMENTS**

- 5,392,063 A \* 2/1995 Rhoads ..... 347/86
- D425,556 S \* 5/2000 Inoue et al. .... D18/56
- D425,933 S \* 5/2000 Inoue et al. .... D18/56

- D438,242 S \* 2/2001 Chiba et al. .... D18/56
- D438,243 S \* 2/2001 Chiba et al. .... D18/56
- D438,561 S \* 3/2001 Chiba et al. .... D18/56
- D438,898 S \* 3/2001 Chiba et al. .... D18/56
- D443,892 S 6/2001 Sekine et al. .... D18/56
- D451,541 S \* 12/2001 Hirosawa et al. .... D18/56

\* cited by examiner

*Primary Examiner*—Cathy Anne MacCormac

(74) *Attorney, Agent, or Firm*—Fitzpatrick, Cella, Harper & Scinto

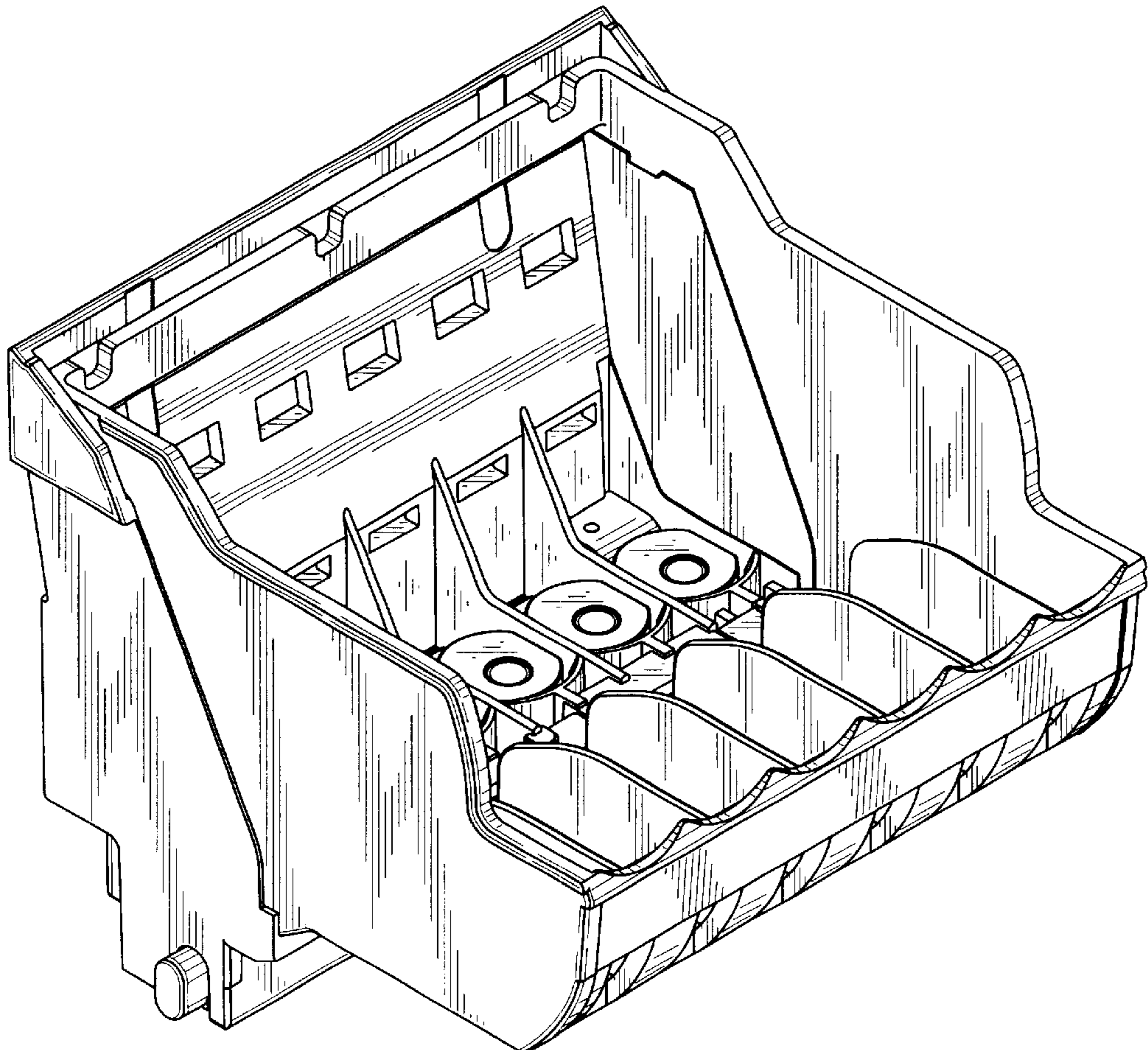
(57) **CLAIM**

The ornamental design for an ink tank holder with printing head for printer, as shown and described.

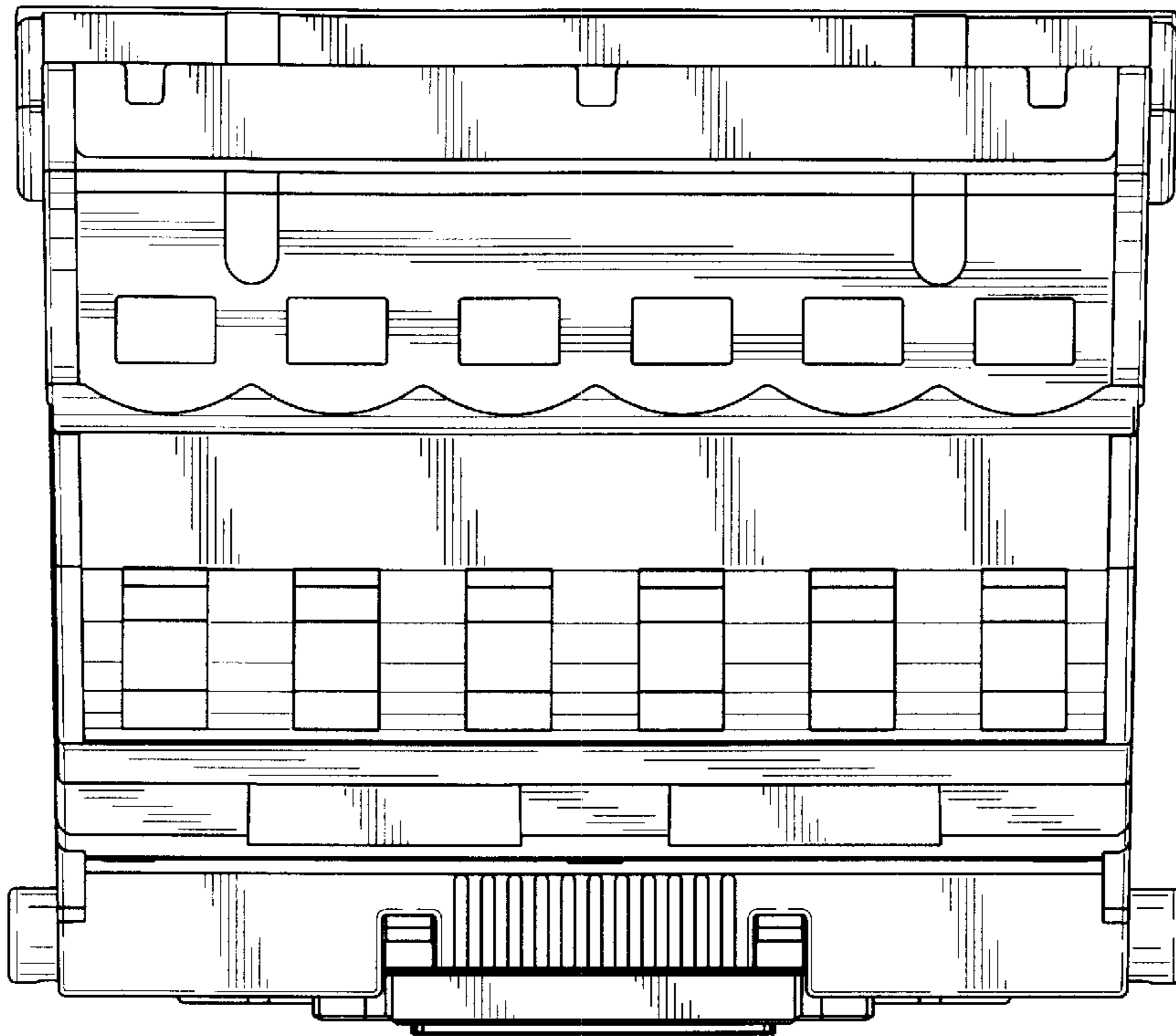
**DESCRIPTION**

FIG. 1 is a front view of an ink tank holder with printing head for printer showing our new design; FIG. 2 is a rear view thereof; FIG. 3 is a top plan view thereof; FIG. 4 is a bottom plan view thereof; FIG. 5 is a left side view thereof; FIG. 6 is a right side view thereof; and, FIG. 7 is a perspective view thereof.

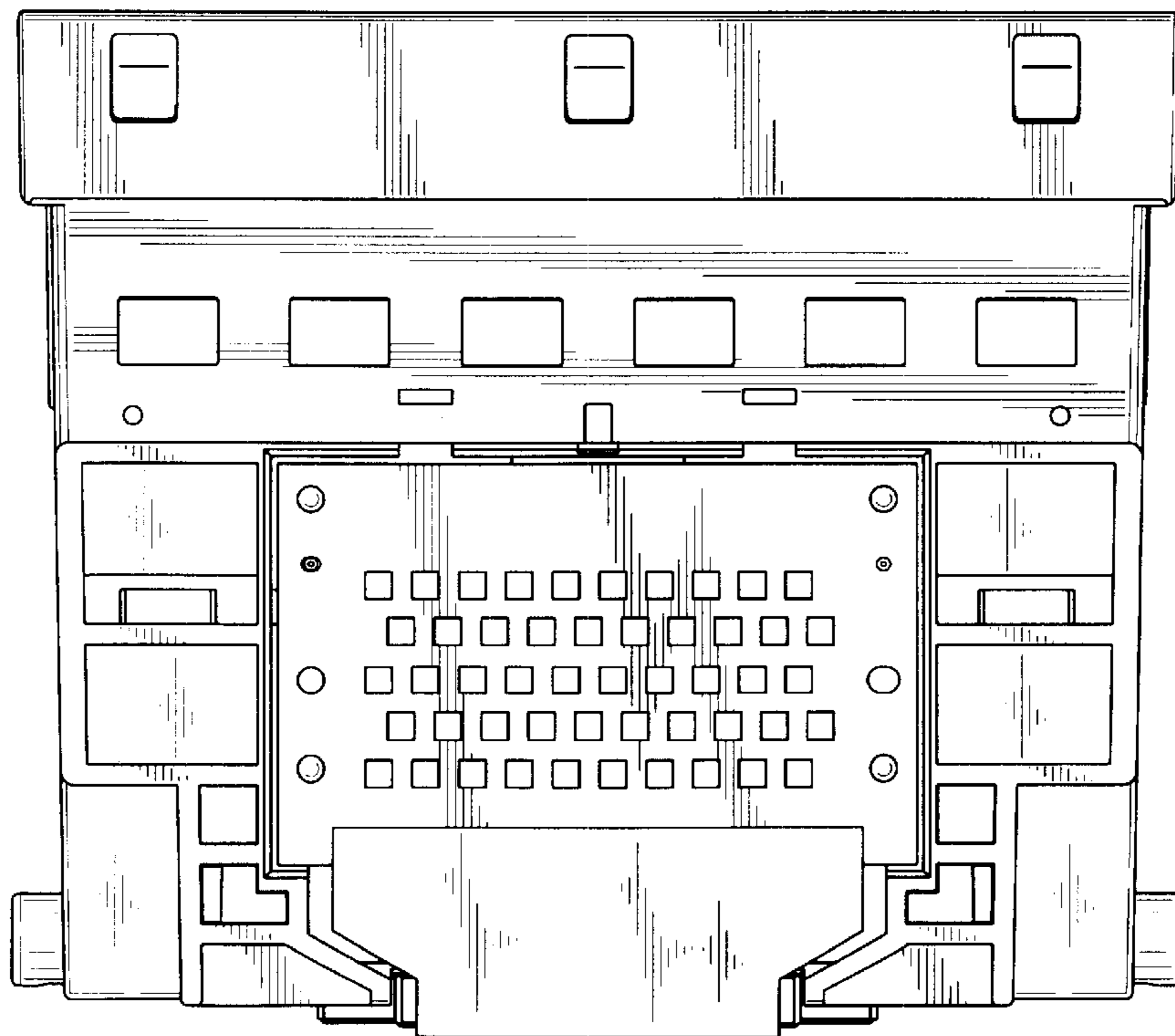
**1 Claim, 5 Drawing Sheets**



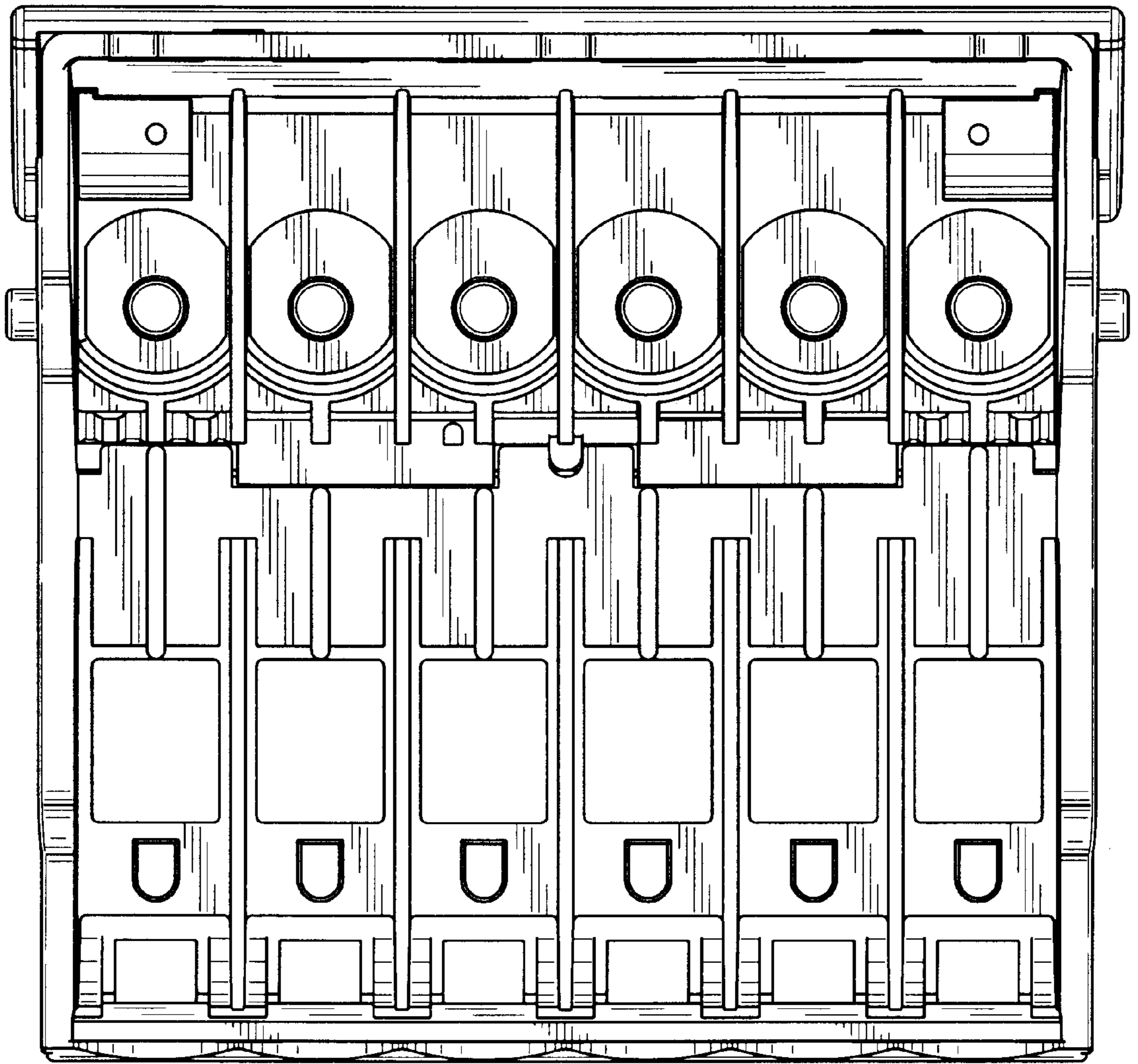
*FIG. 1*



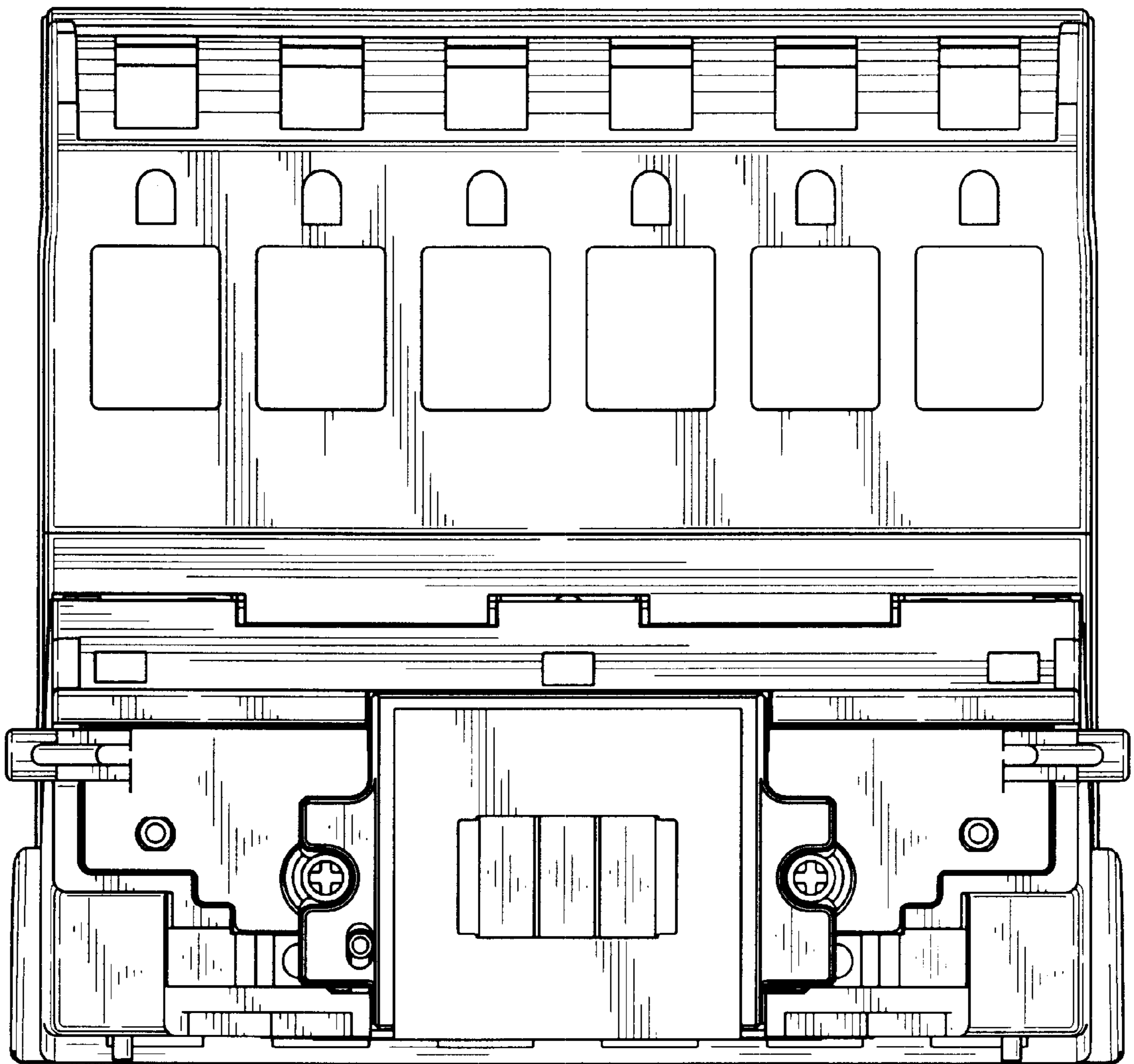
*FIG. 2*



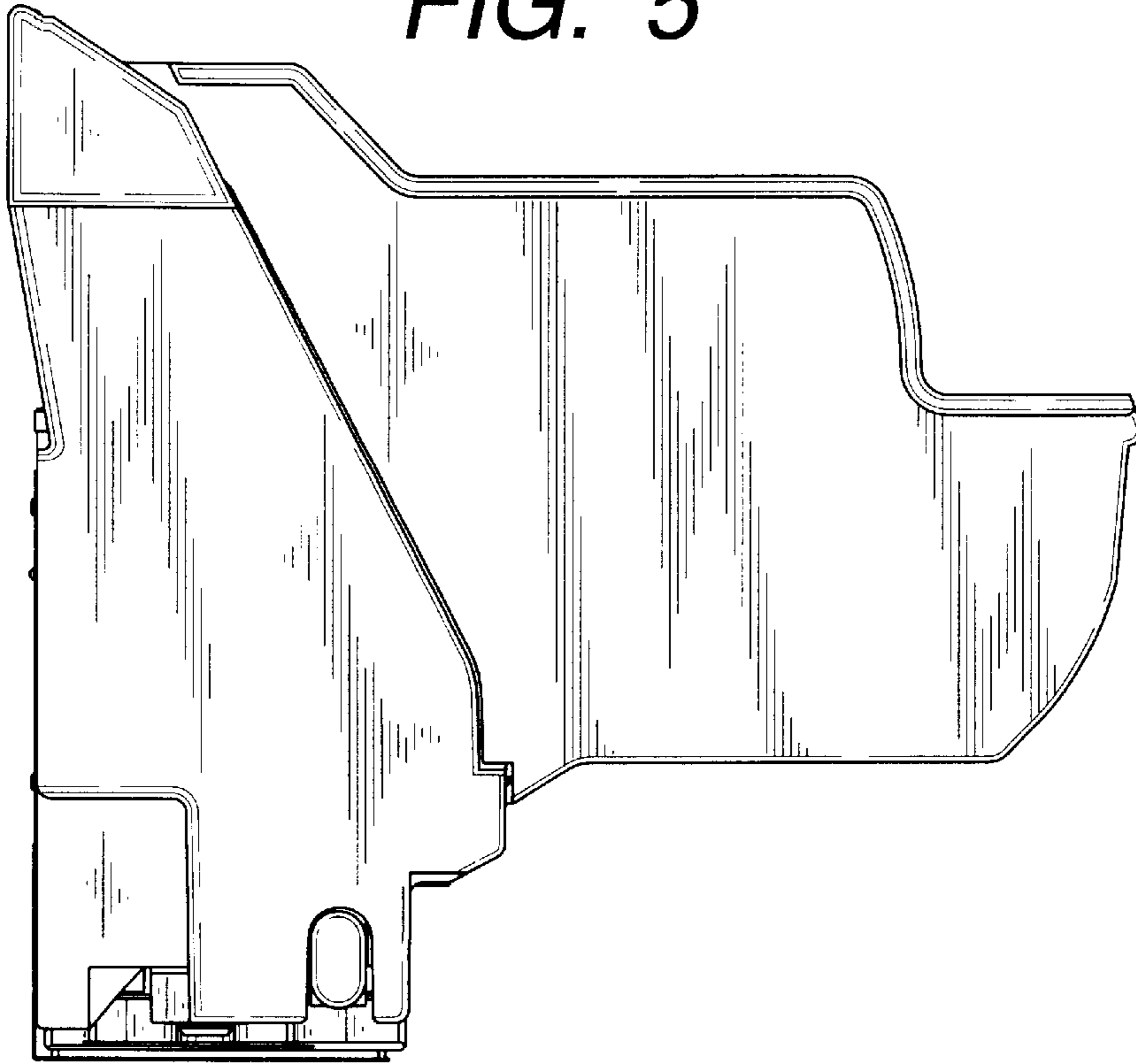
*FIG. 3*



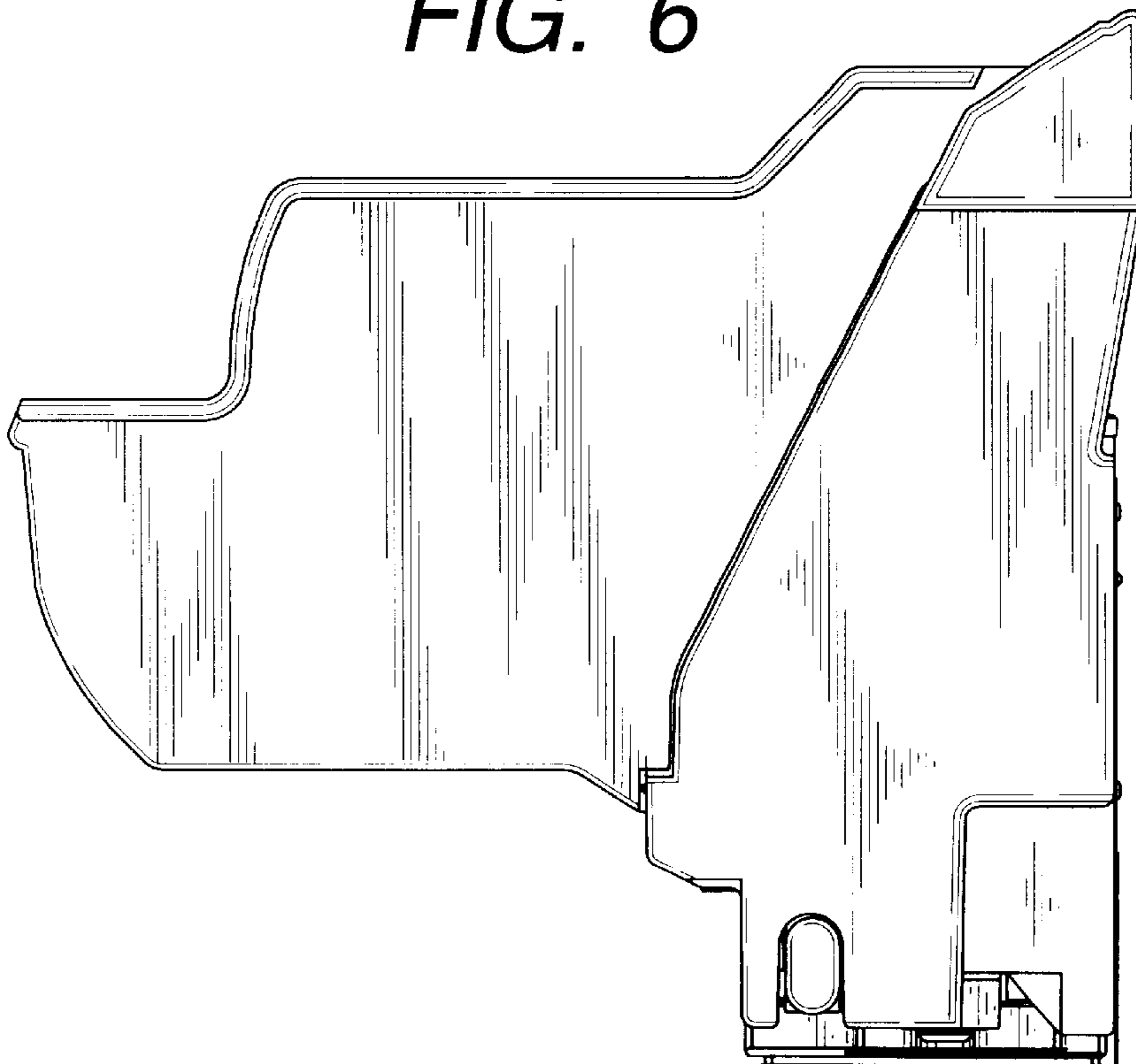
*FIG. 4*



*FIG. 5*



*FIG. 6*



*FIG. 7*

