



US00D466924S

(12) **United States Design Patent**
Wong et al.

(10) **Patent No.:** **US D466,924 S**

(45) **Date of Patent:** **** Dec. 10, 2002**

(54) **INKJET PRINTER**

(75) Inventors: **Howard G. Wong**, Portland, OR (US);
Peter G. Hwang, Vancouver, WA (US);
Daniel R. Dwyer, Battle Ground, WA
(US); **Joyce Chua**, Vancouver, WA
(US); **Michael M. Leon**, Washougal,
WA (US); **Michael K. Bowen**,
Vancouver, WA (US)

(73) Assignee: **Hewlett-Packard Company**, Palo Alto,
CA (US)

(**) Term: **14 Years**

(21) Appl. No.: **29/154,896**

(22) Filed: **Jan. 30, 2002**

(51) **LOC (7) Cl.** **14-02**

(52) **U.S. Cl.** **D18/55**

(58) **Field of Search** D18/50, 54-55,
D18/54.1, 36-38; D14/462-470; 400/613,
613.1-613.4, 691-694, 690.1-690.4

(56) **References Cited**

U.S. PATENT DOCUMENTS

D356,596 S * 3/1995 Dubson et al. D18/55
D373,596 S * 9/1996 Sekine et al. D18/55

D374,032 S * 9/1996 Kobayashi et al. D18/55
D400,571 S * 11/1998 Shimizu D18/54
D400,572 S * 11/1998 Sekine et al. D18/54
D413,919 S * 9/1999 Kobayashi et al. D18/54
D430,893 S * 9/2000 Vue D18/50
D445,451 S * 7/2001 Clark, III et al. D18/55
6,382,858 B1 * 5/2002 Nojima et al. 400/691
D459,389 S * 6/2002 Kaseno D18/50

* cited by examiner

Primary Examiner—Cathy Anne MacCormac

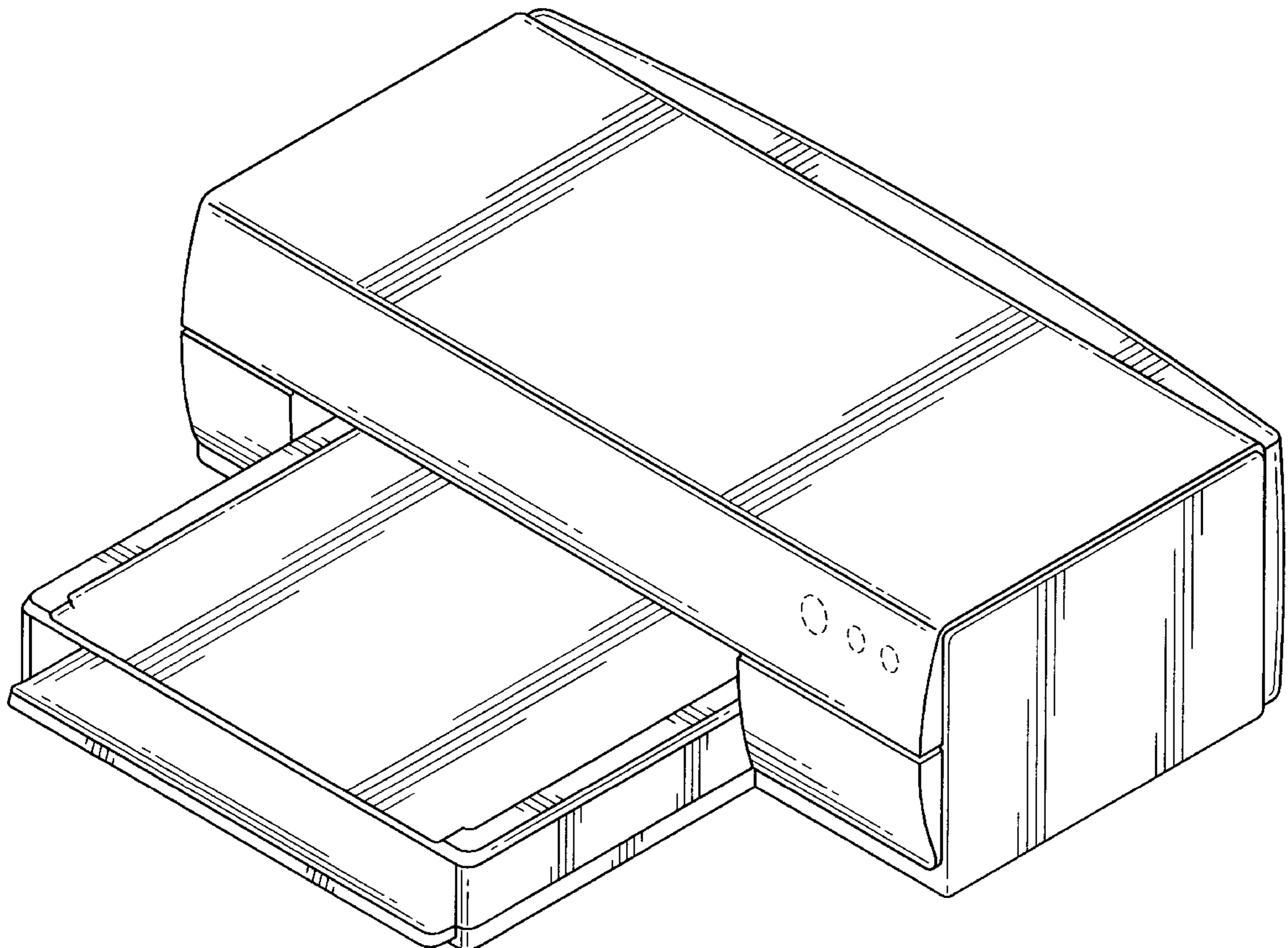
(57) **CLAIM**

The ornamental design for an inkjet printer, substantially as shown and described.

DESCRIPTION

FIG 1 is a perspective view of an inkjet printer, in accordance with the present invention;
FIG. 2 is a top view thereof;
FIG. 3 is a front view thereof;
FIG. 4 is a rear elevational view thereof; and,
FIG. 5 is a right side elevational view thereof, the left side is a mirror image.
The broken lines in FIGS. 1, 2 and 3 are for illustration only and form no part of the claimed design.

1 Claim, 3 Drawing Sheets



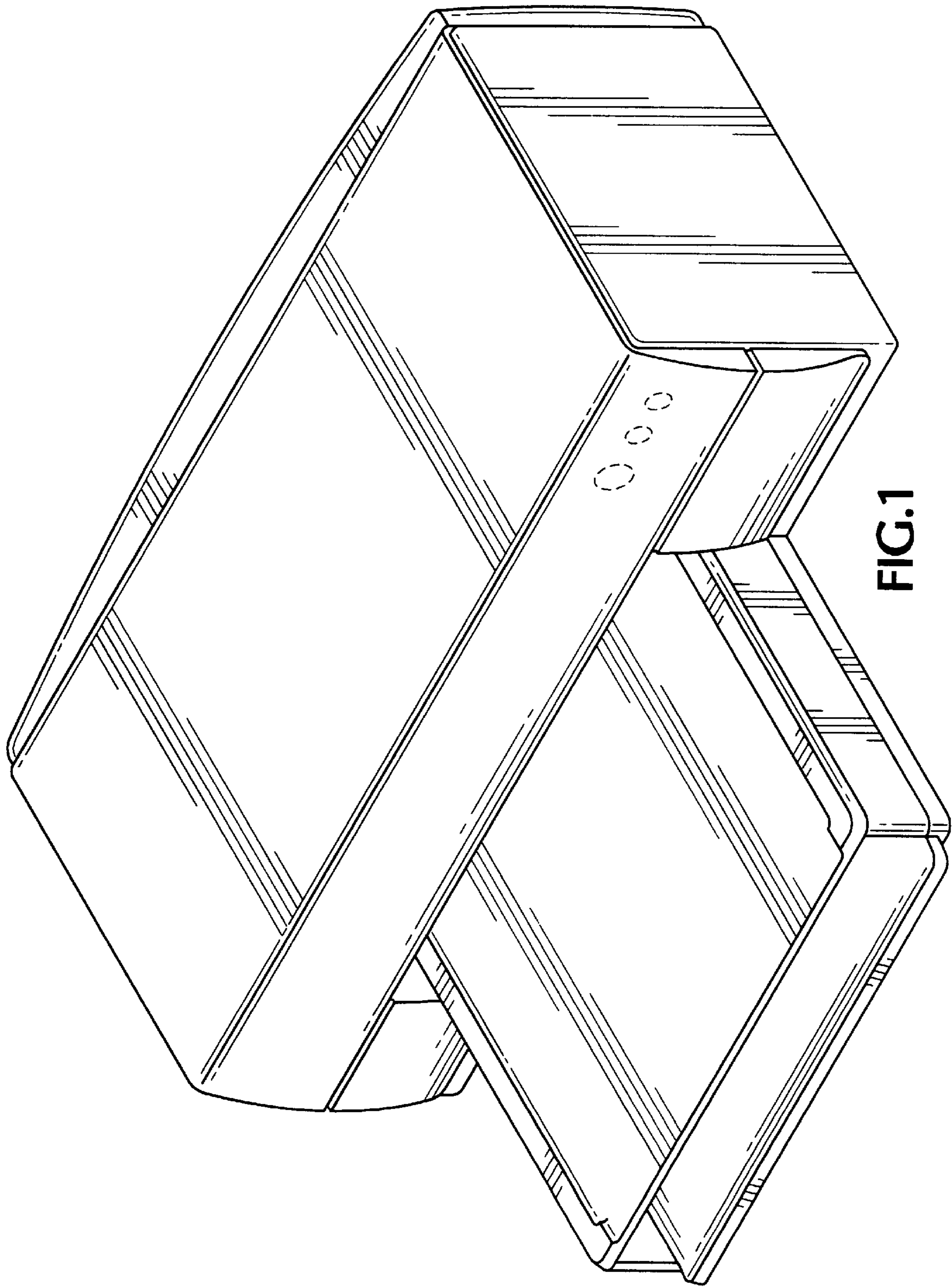


FIG.1

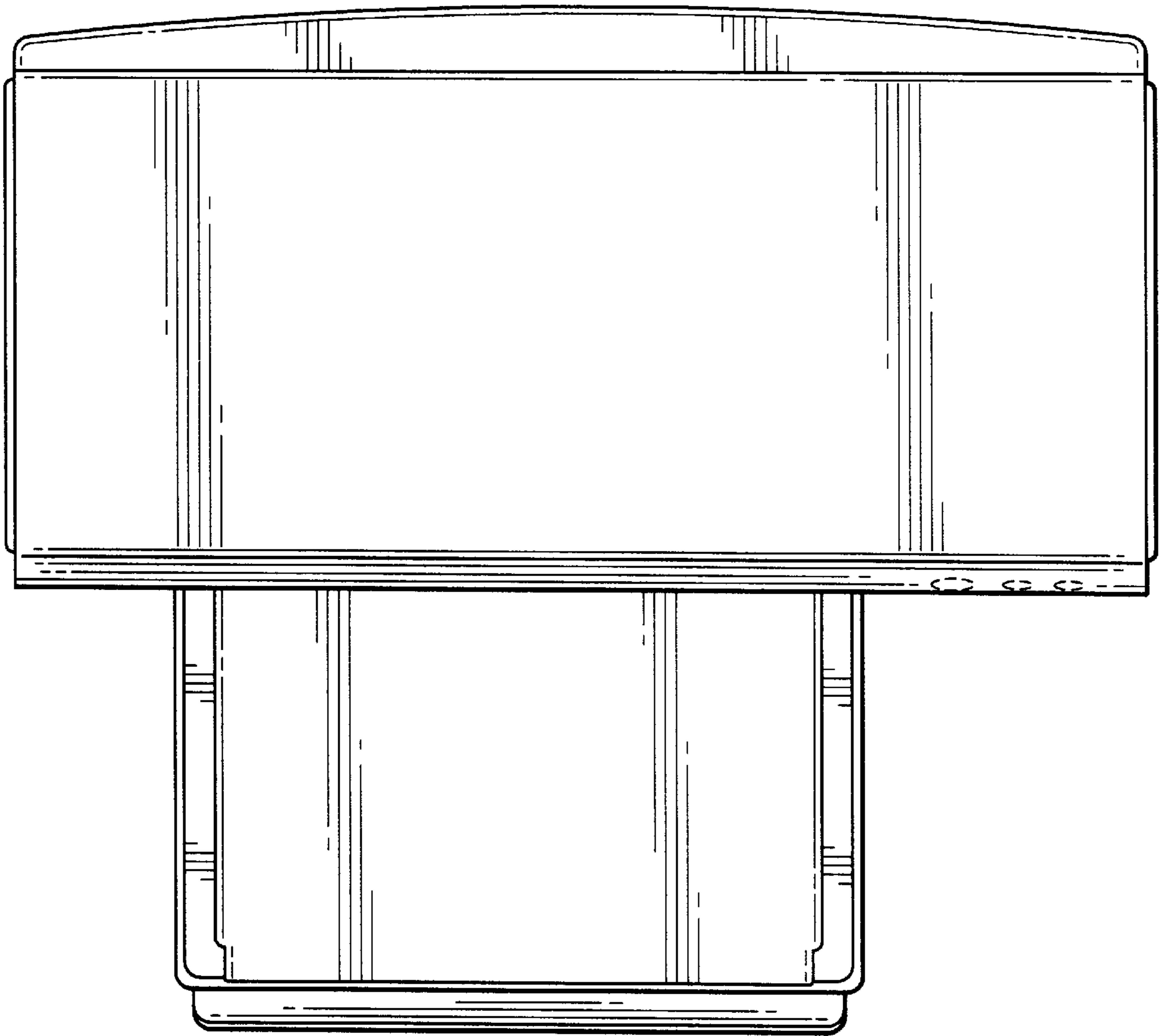


FIG. 2

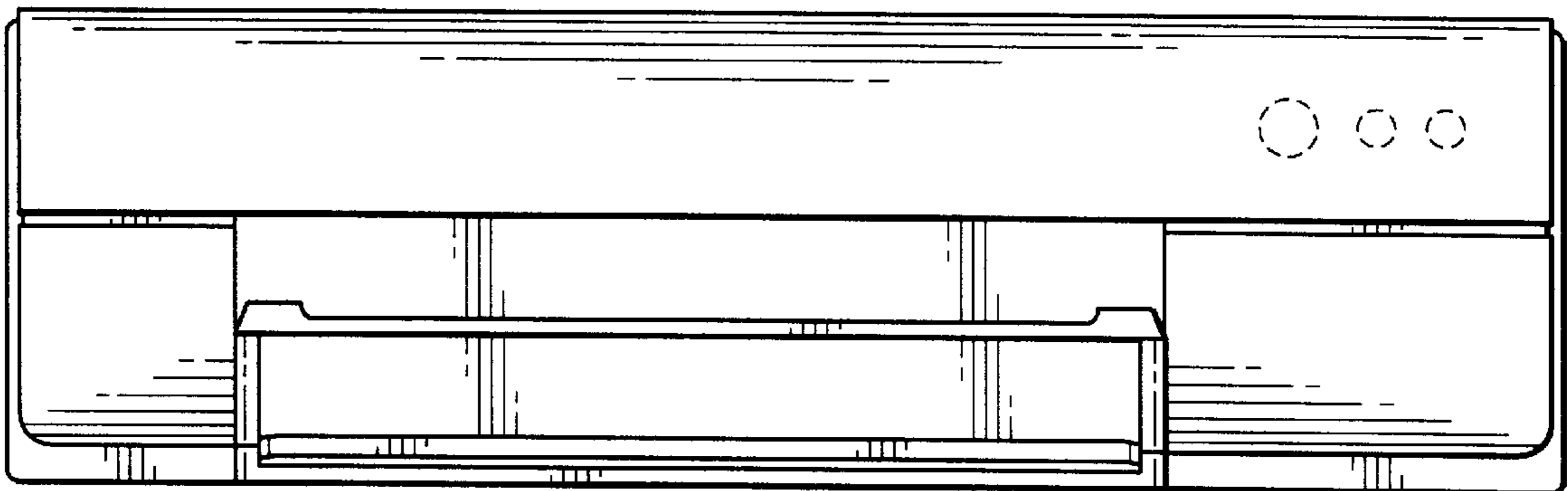


FIG. 3

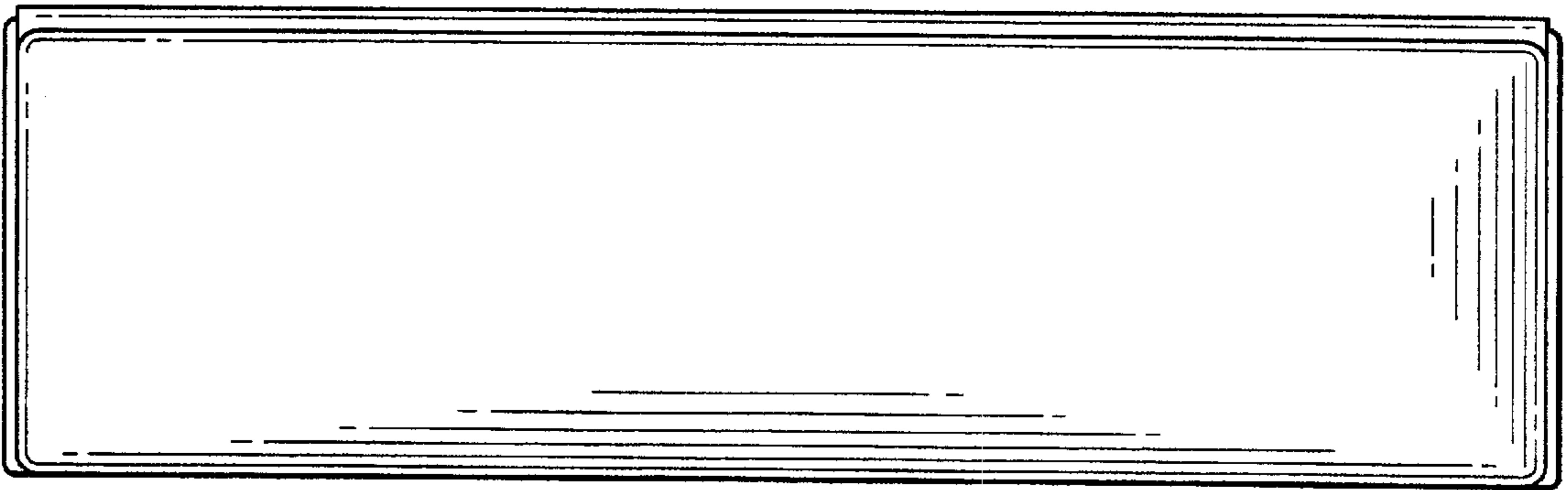


FIG. 4

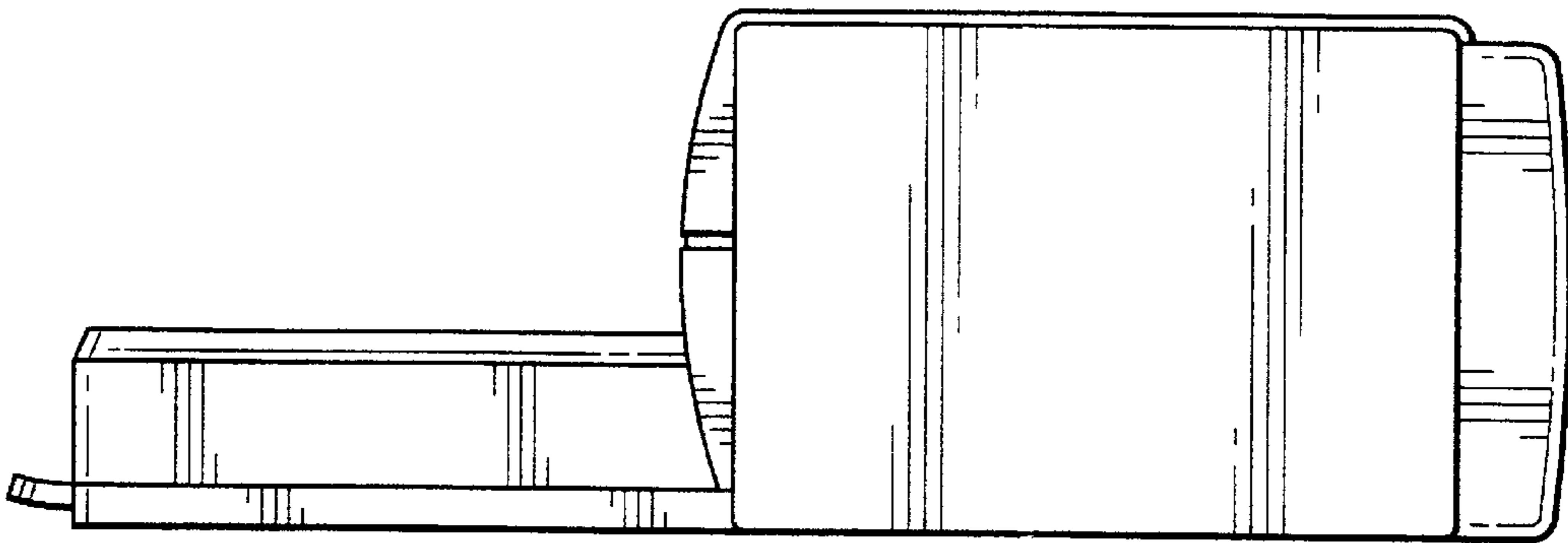


FIG. 5