



US00D466923S

(12) **United States Design Patent**
Dwyer et al.

(10) **Patent No.:** **US D466,923 S**

(45) **Date of Patent:** **** Dec. 10, 2002**

(54) **INKJET PRINTER WITH FIXED SHEET FEEDER**

(75) Inventors: **Daniel R. Dwyer**, Battle Ground, WA (US); **Jeffrey G. Bingham**, Vancouver, WA (US); **Michael M. Leon**, Washougal, WA (US); **Melissa S. Gedraitis**, Camas, WA (US); **Donald R. McClelland**, Brush Prairie, WA (US); **Michael K. Bowen**, Vancouver, WA (US); **Howard G. Wong**, Portland, OR (US); **Michael J. Allison**, Brush Prairie, WA (US); **Mark D. Zinser**, Santa Rosa, CA (US); **Peter G. Hwang**, Vancouver, WA (US); **Eric L. Gasvoda**, Salem, OR (US); **Maaike L. Evers**, San Francisco, CA (US)

(73) Assignee: **Hewlett-Packard Company**, Palo Alto, CA (US)

(**) Term: **14 Years**

(21) Appl. No.: **29/147,344**

(22) Filed: **Aug. 27, 2001**

(51) **LOC (7) Cl.** **14-02**

(52) **U.S. Cl.** **D18/55**

(58) **Field of Search** D18/50, 54-55, D18/36-37; 400/613, 613.1-613.4, 691-694, 690.1-690.4

(56) **References Cited**

U.S. PATENT DOCUMENTS

D280,900 S * 10/1985 Tsumura et al. D18/54

D281,247 S * 11/1985 Lahey et al. D18/55
D339,157 S * 9/1993 Miyamoto et al. D18/50
D343,858 S * 2/1994 Tashiro et al. D18/55
D379,827 S * 6/1997 Andre D18/54
D400,571 S * 11/1998 Shimizu D18/54
D400,572 S * 11/1998 Sekine et al. D18/54
D413,919 S * 9/1999 Kobayashi et al. D18/54
D425,552 S * 5/2000 Kobayashi et al. D18/54
D427,235 S * 6/2000 Kaseno et al. D18/54
D436,123 S * 1/2001 Ito et al. D18/54
D445,451 S * 7/2001 Clark, III et al. D18/55
D448,796 S * 10/2001 Clark, III et al D18/55
D452,706 S * 1/2002 Senshiki D18/55

* cited by examiner

Primary Examiner—Cathy Anne MacCormac
(74) *Attorney, Agent, or Firm*—Christopher B. Miller

(57) **CLAIM**

The ornamental design for an inkjet printer with fixed sheet feeder, substantially as shown and described.

DESCRIPTION

FIG. 1 is a perspective view of an inkjet printer with fixed sheet feeder in accordance with the present invention;

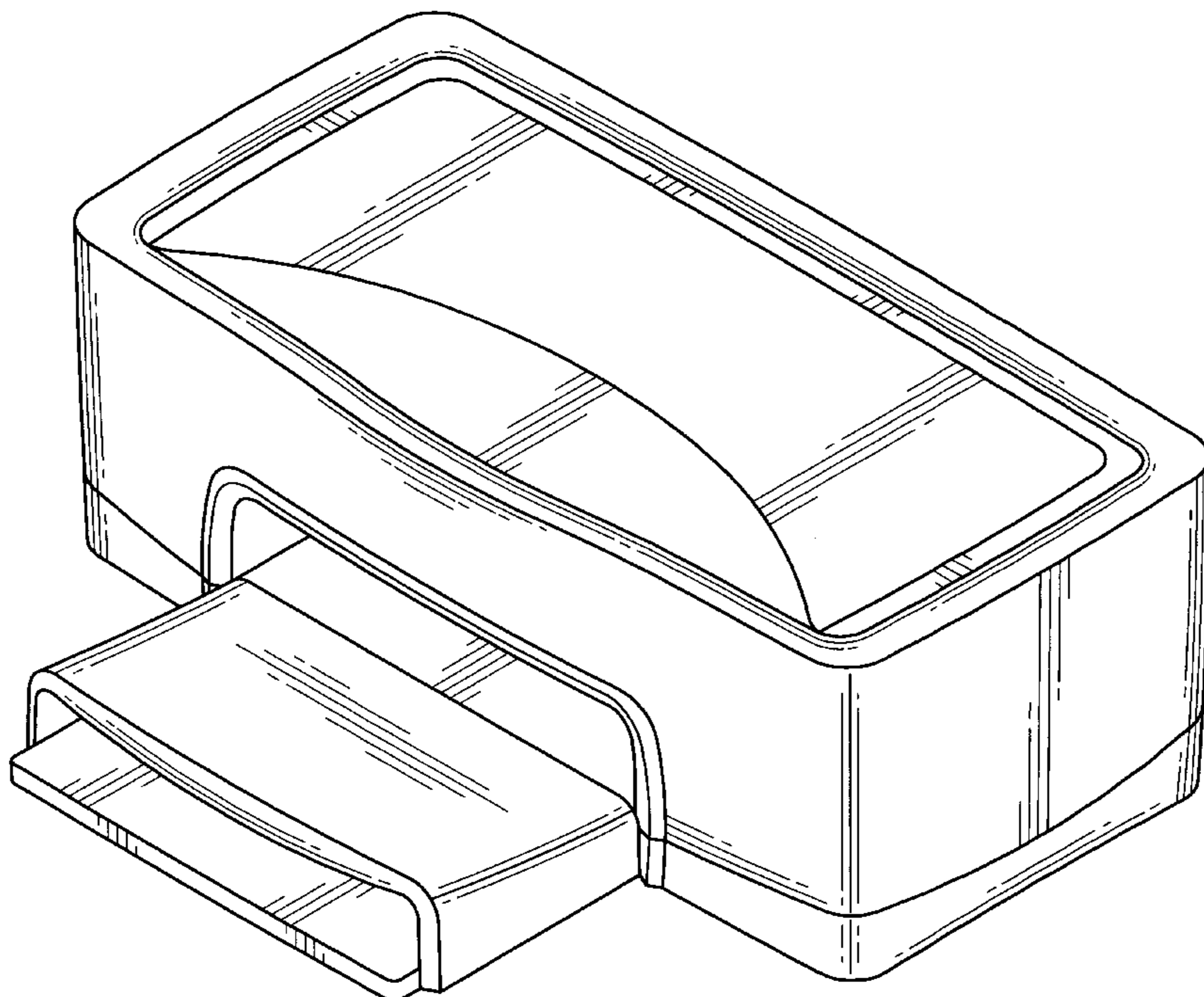
FIG. 2 is a front elevational view thereof;

FIG. 3 is a rear elevational view thereof;

FIG. 4 is a top plan view thereof; and,

FIG. 5 is a right side elevational view thereof, left side elevational view being a mirror image.

1 Claim, 4 Drawing Sheets



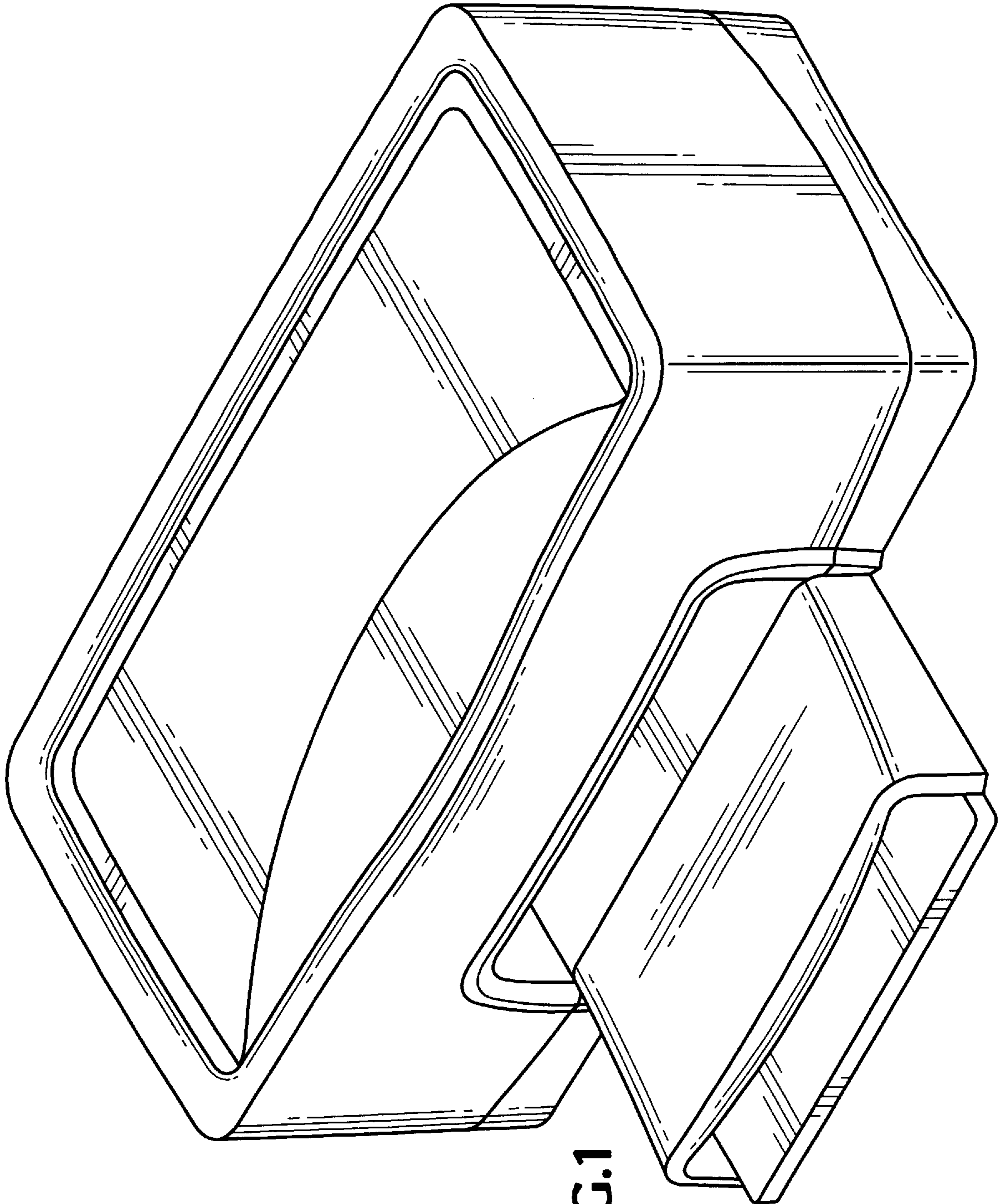


FIG.1

FIG.2

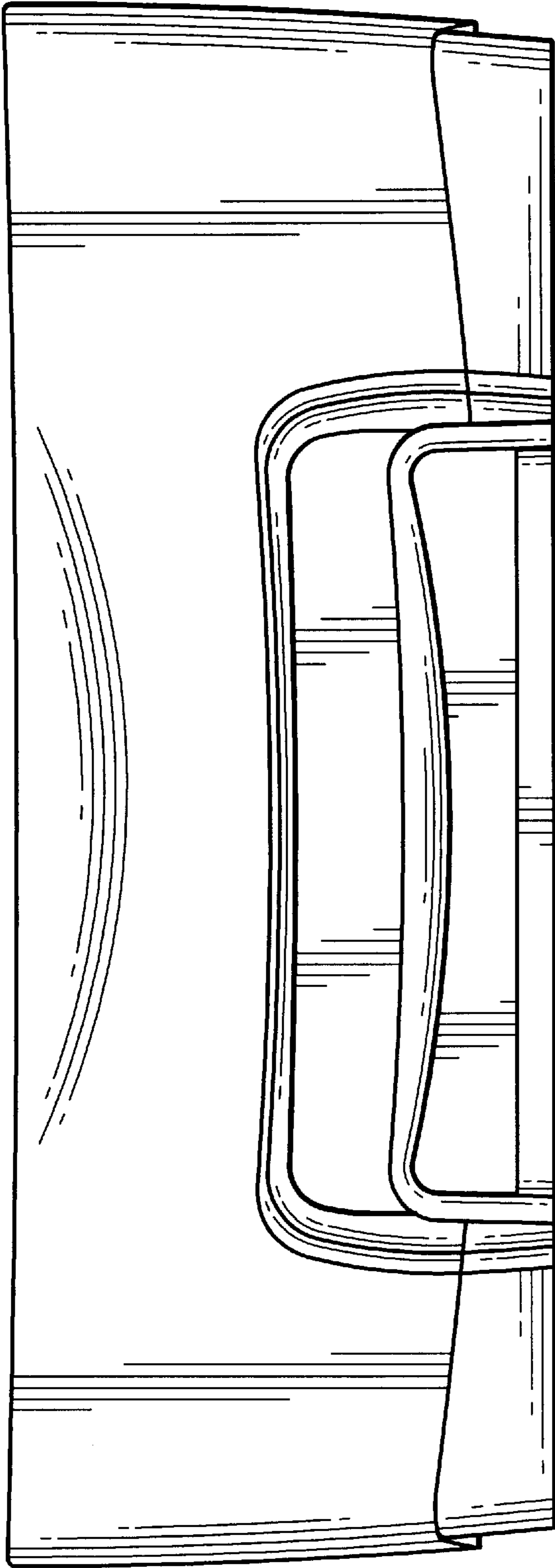
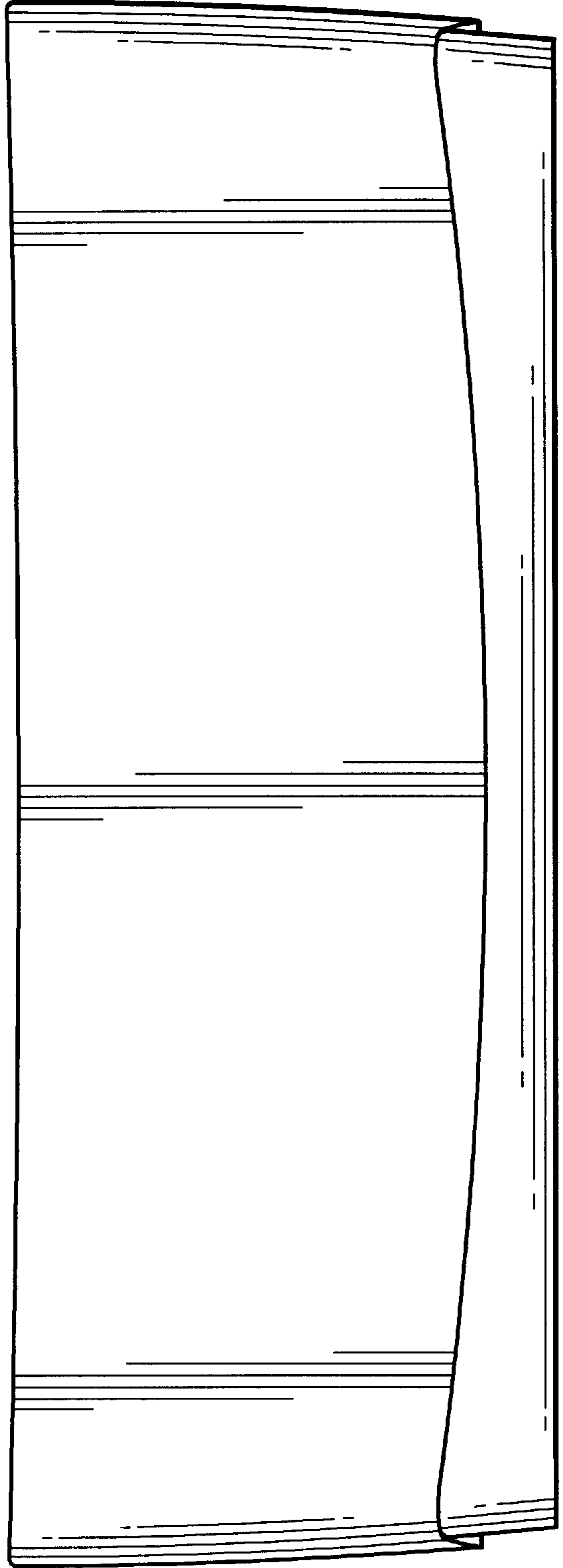


FIG.3



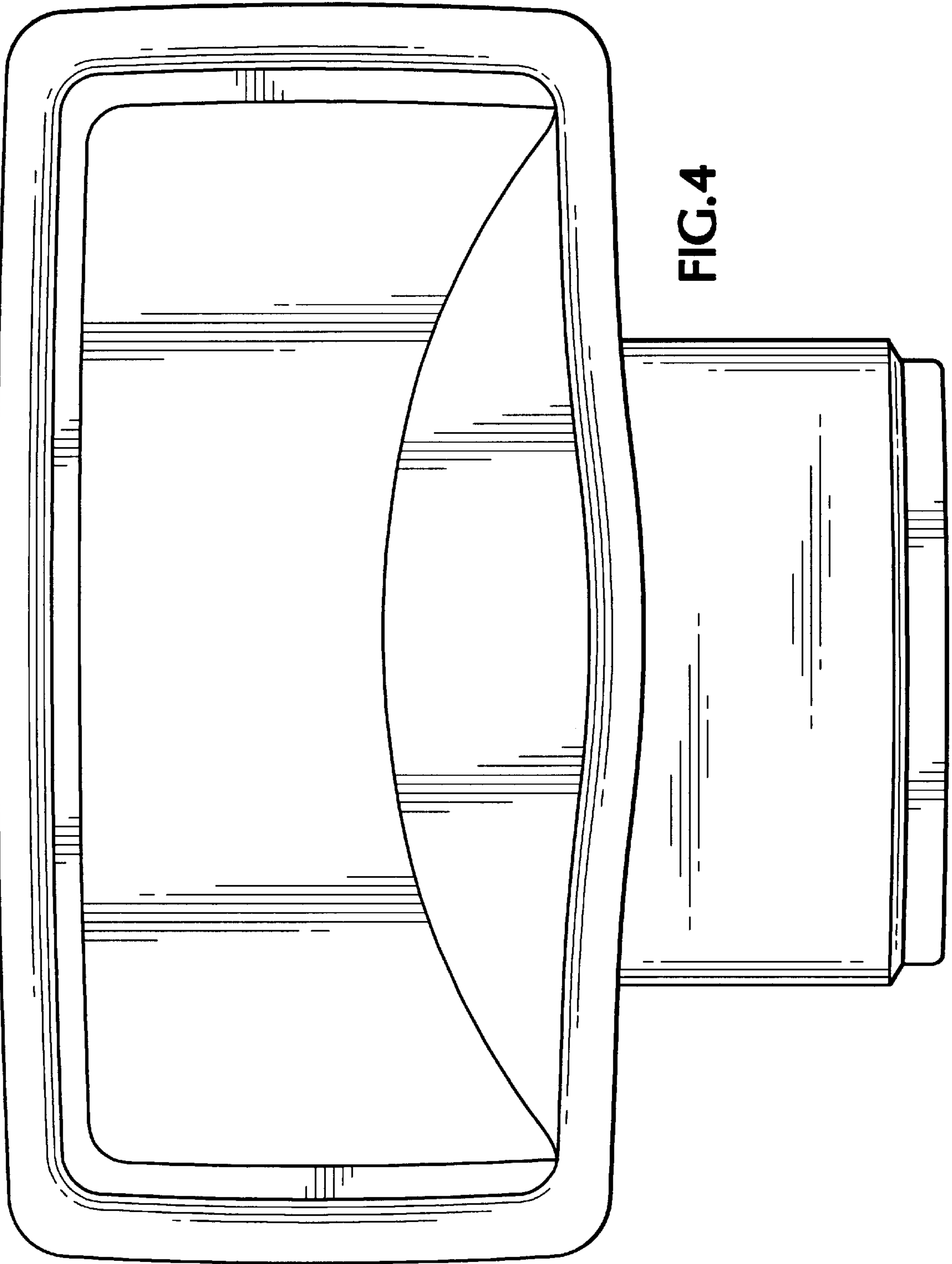


FIG.4

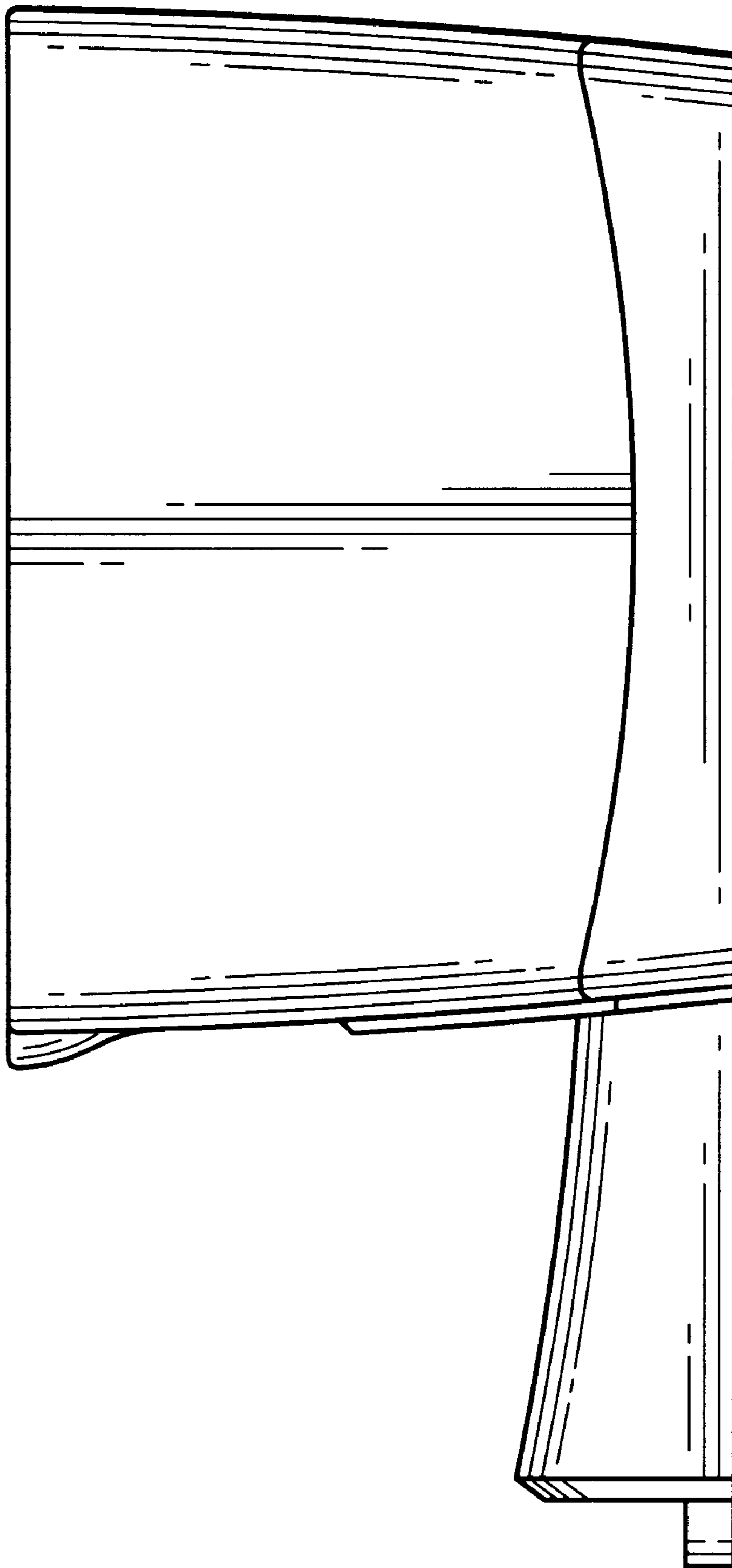


FIG. 5