



US00D466921S

(12) **United States Design Patent**
Senshiki

(10) **Patent No.:** **US D466,921 S**

(45) **Date of Patent:** **** Dec. 10, 2002**

(54) **COMPUTER PRINT**

(75) Inventor: **Yasunori Senshiki, Tachikawa (JP)**

(73) Assignee: **Canon Kabushiki Kaisha, Tokyo (JP)**

(**) Term: **14 Years**

(21) Appl. No.: **29/148,592**

(22) Filed: **Sep. 25, 2001**

(30) **Foreign Application Priority Data**

Apr. 19, 2001 (JP) 2001-011381

(51) **LOC (7) Cl.** **14-02**

(52) **U.S. Cl.** **D18/54**

(58) **Field of Search** D18/36-39, 50,
D18/54-55; D14/462-470; 400/613, 613.1-613.4,
690.1-690.4, 619-694

(56) **References Cited**

U.S. PATENT DOCUMENTS

D382,583 S	*	8/1997	Takahashi et al.	D18/55
D390,258 S	*	2/1998	Kawahara et al.	D18/55
D393,870 S	*	4/1998	Kobayashi et al.	D18/55
D395,332 S	*	6/1998	Leong et al.	D18/55
D400,918 S	*	11/1998	Kobayashi et al.	D18/55
D403,015 S	*	12/1998	Fetherolf	D18/55
D419,591 S	*	1/2000	Pangburn	D18/55

D433,442 S	*	11/2000	Clark, III	D18/55
D434,436 S	*	11/2000	Fetherolf	D18/55
D435,266 S	*	12/2000	Sekine et al.	D18/55
D439,272 S	*	3/2001	Kobayashi et al.	D18/50
D441,012 S	*	4/2001	Kawahara et al.	D18/55
D442,218 S	*	5/2001	Kobayashi et al.	D18/55
D444,813 S	*	7/2001	Quijano	D18/55
D448,043 S	*	9/2001	Kawahara et al.	D18/50

* cited by examiner

Primary Examiner—Cathy Anne MacCormac

(74) *Attorney, Agent, or Firm*—Fitzpatrick, Cella, Harper & Scinto

(57) **CLAIM**

The ornamental design for a computer printer, as shown and described.

DESCRIPTION

FIG. 1 is a front view of a computer printer, showing my new design;
 FIG. 2 is a rear view thereof;
 FIG. 3 is a top plan view thereof;
 FIG. 4 is a bottom plan view thereof;
 FIG. 5 is a left side view thereof;
 FIG. 6 is a right side view thereof; and,
 FIG. 7 is a perspective view thereof.

1 Claim, 6 Drawing Sheets

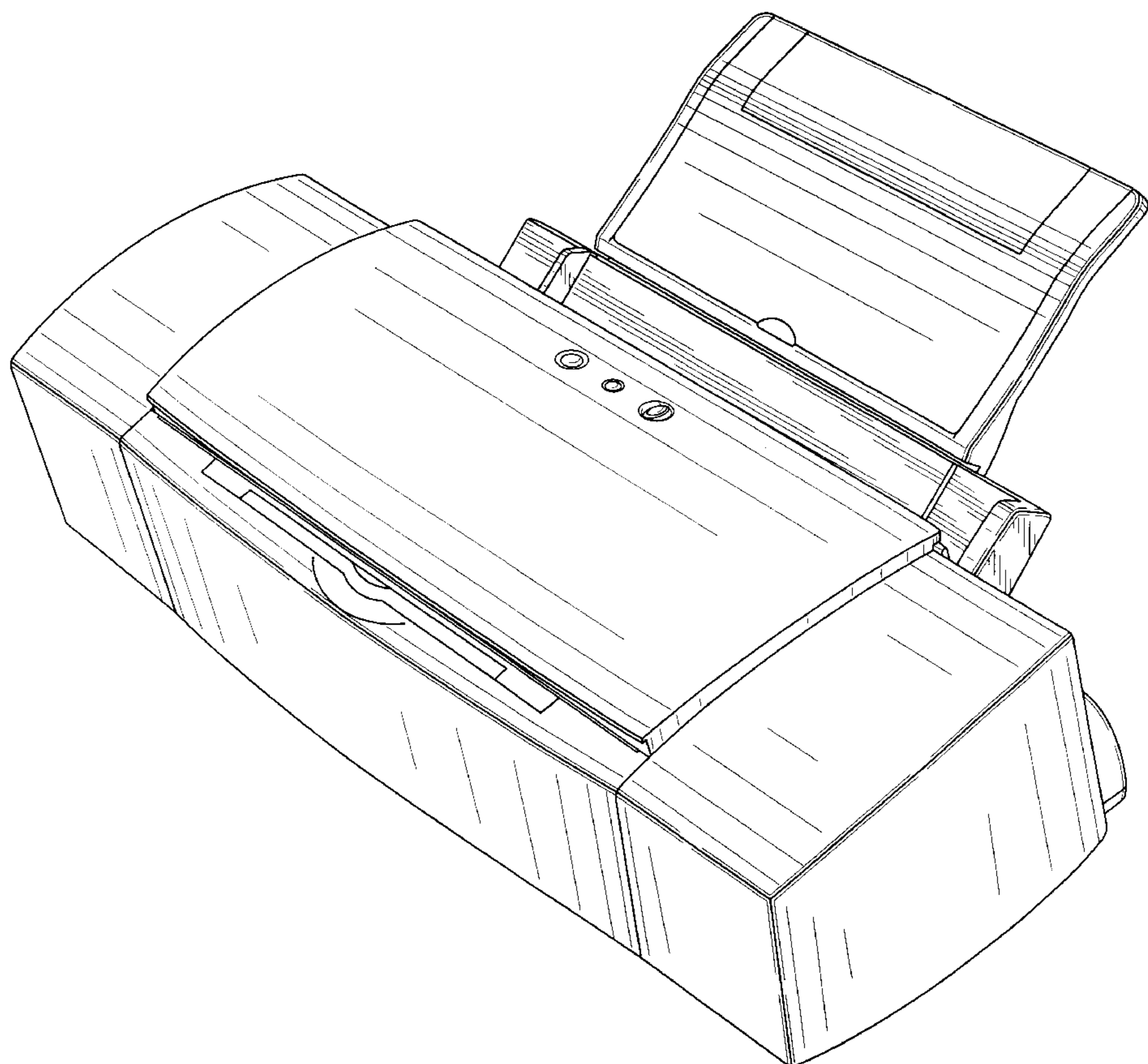


FIG. 1

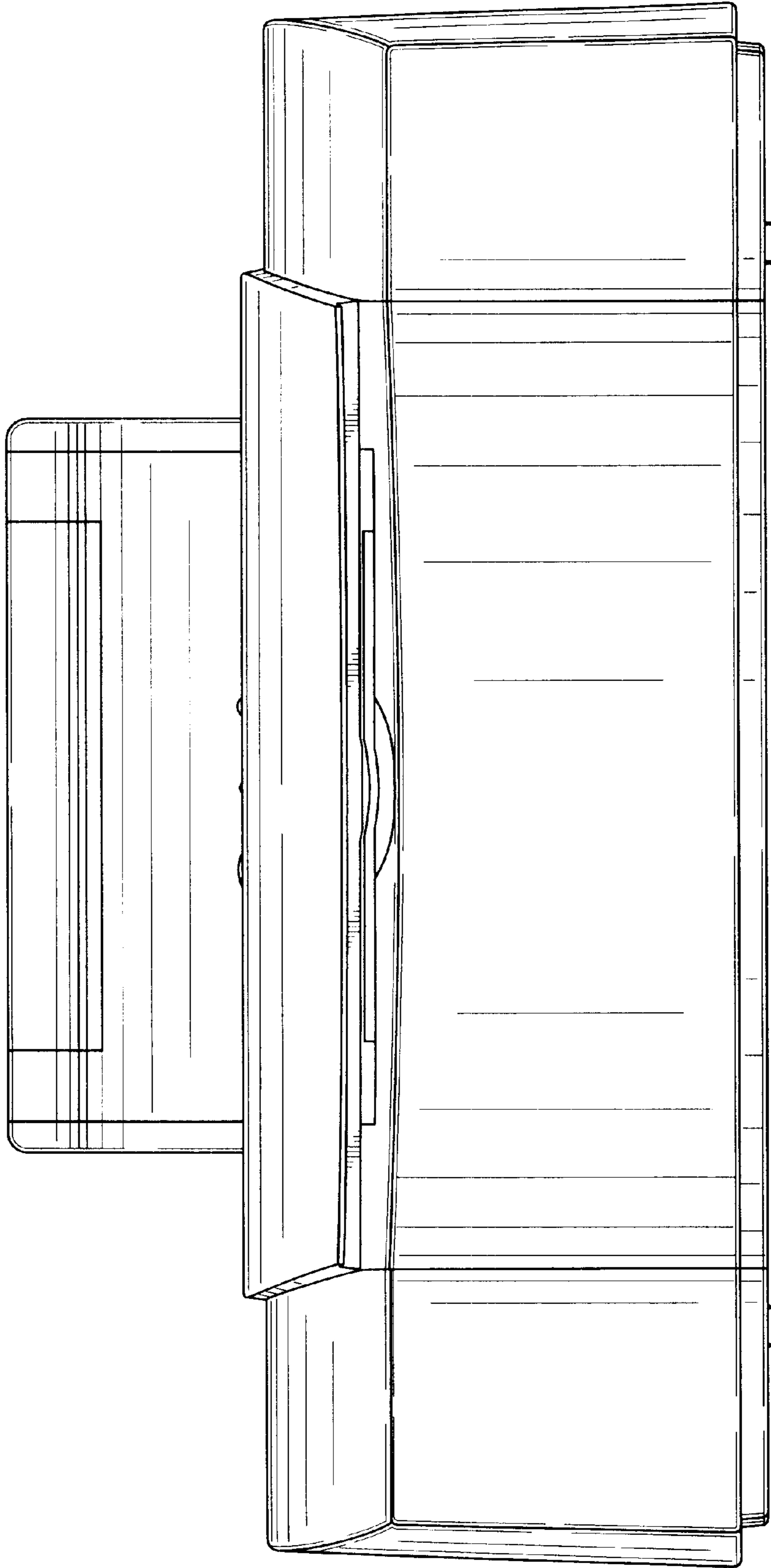


FIG. 2

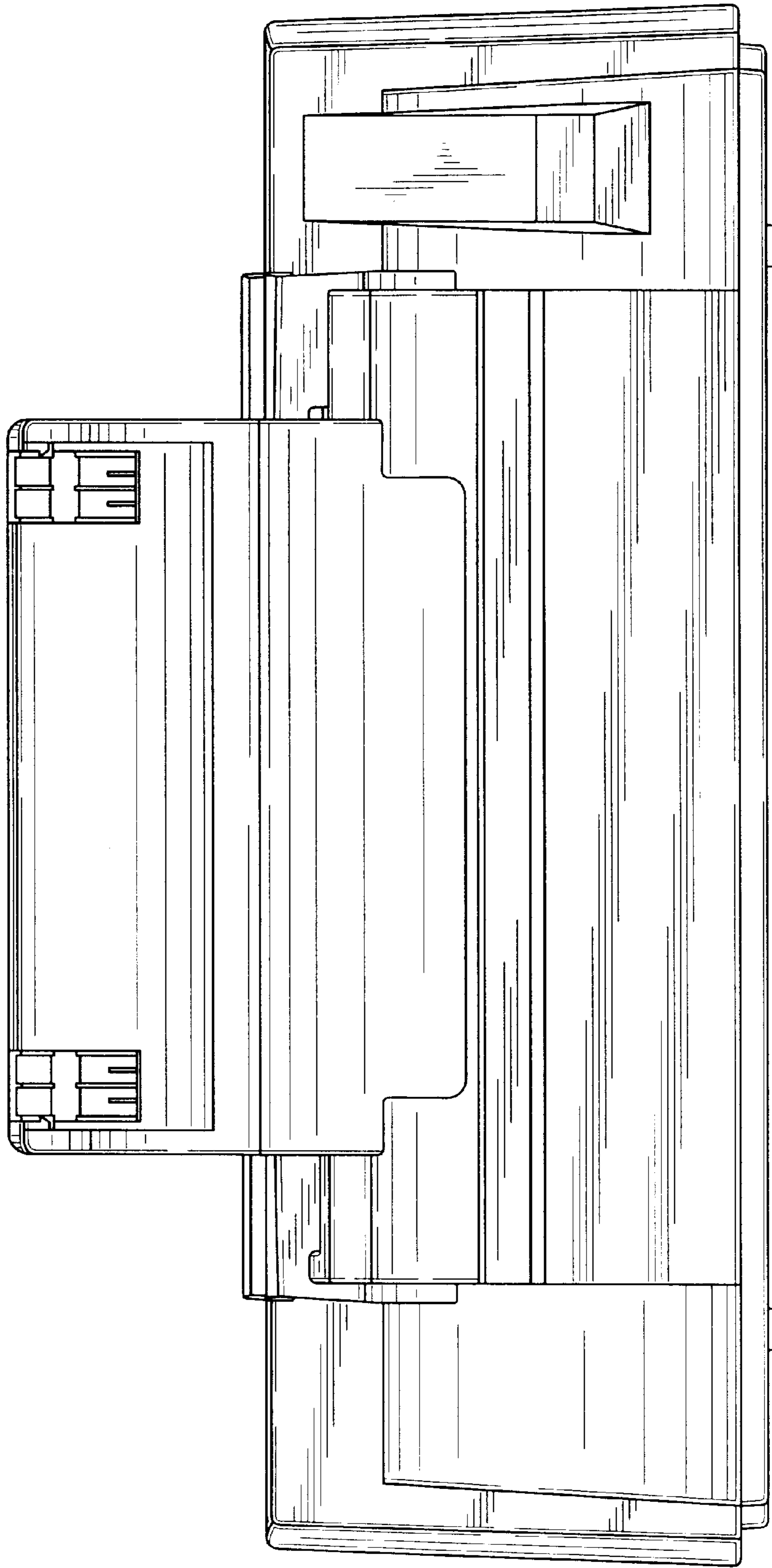


FIG. 3

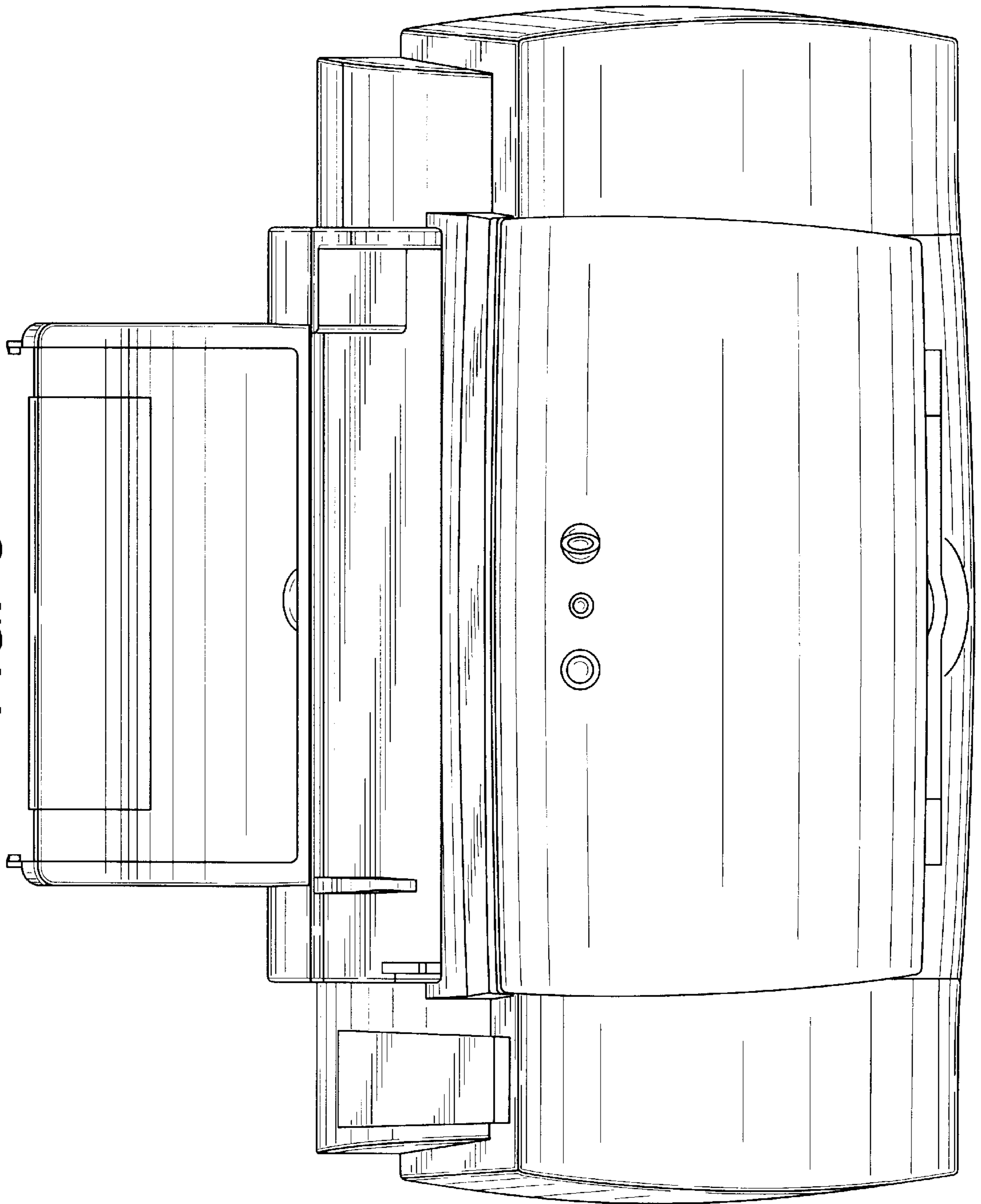


FIG. 4

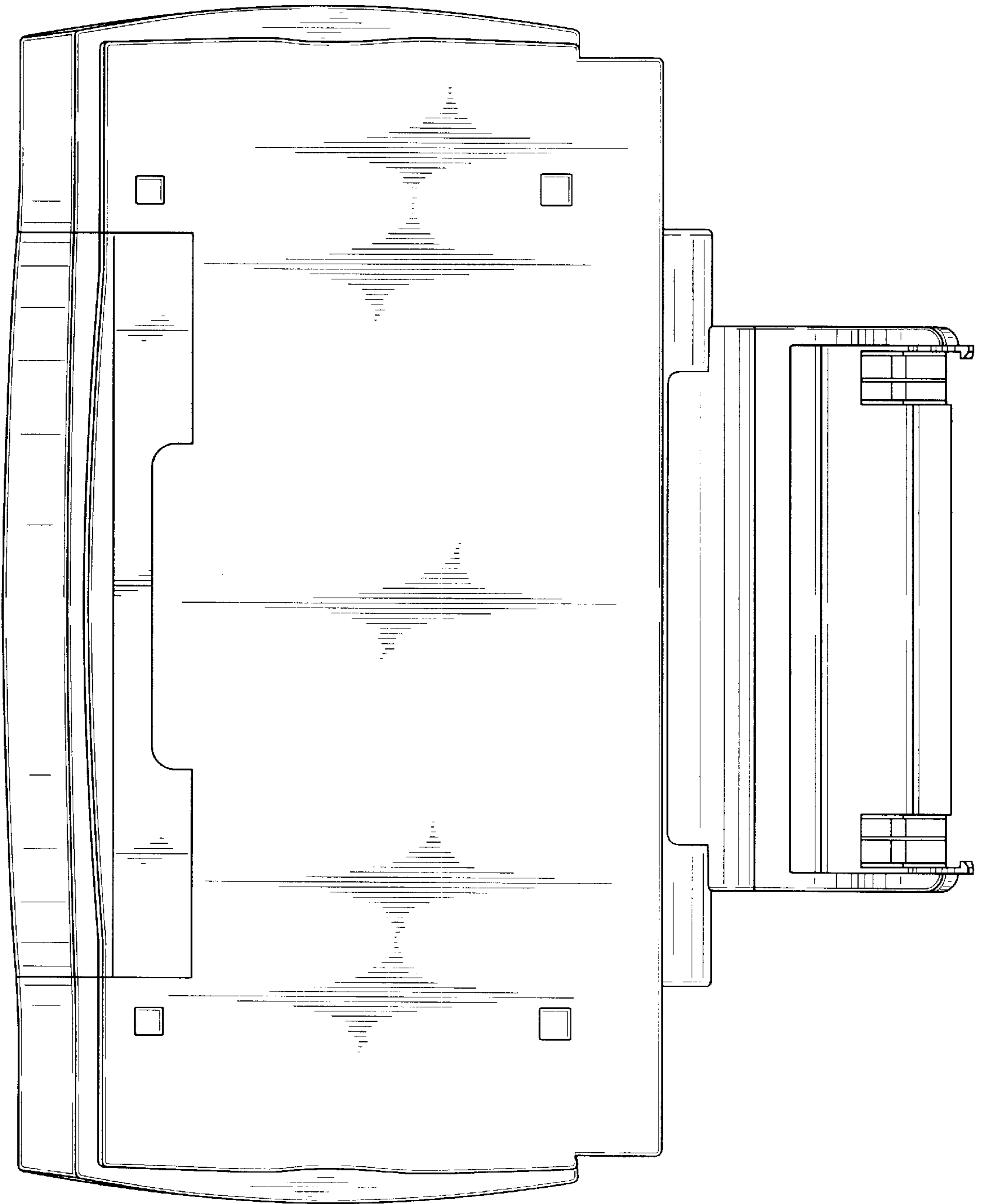


FIG. 5

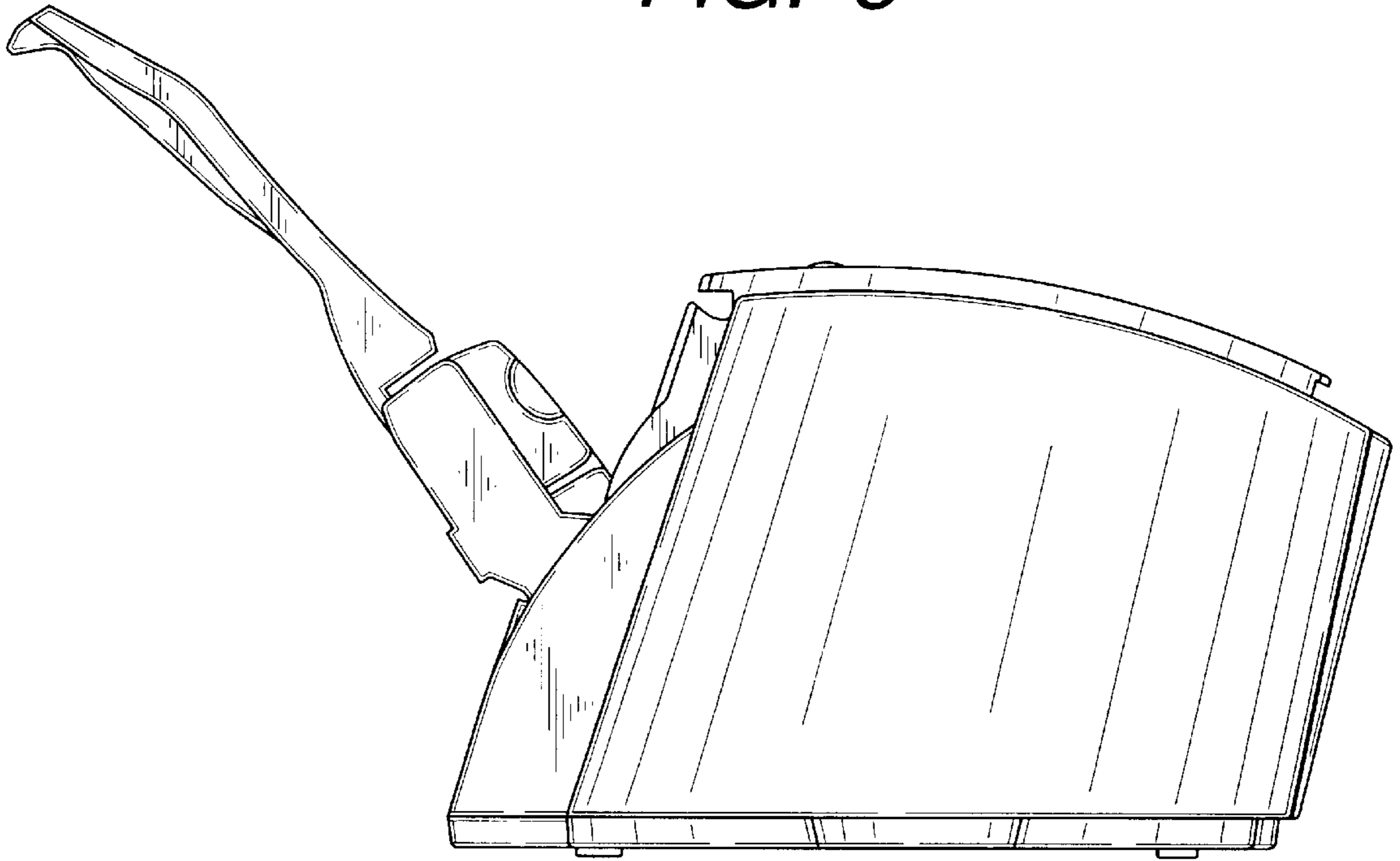


FIG. 6

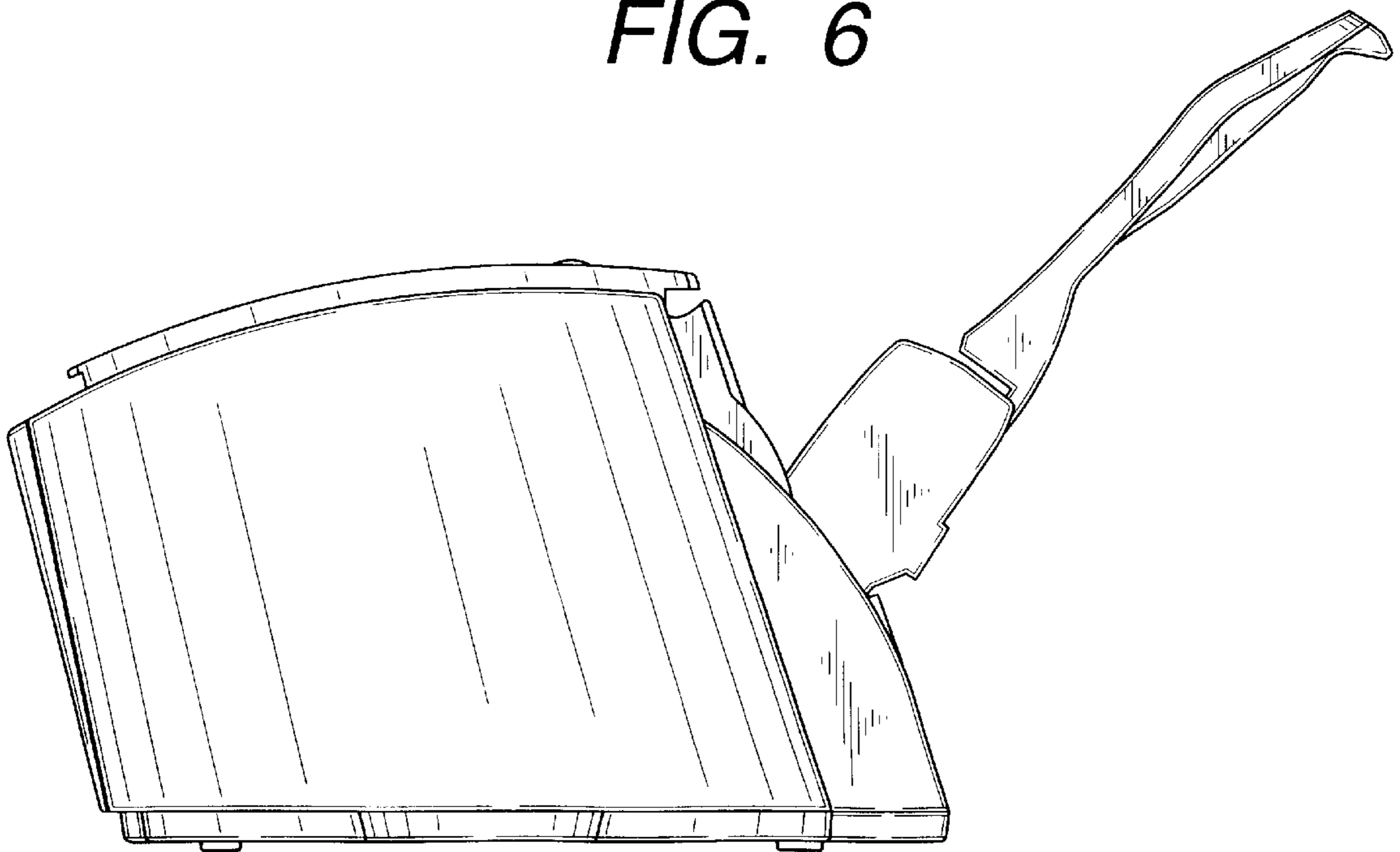
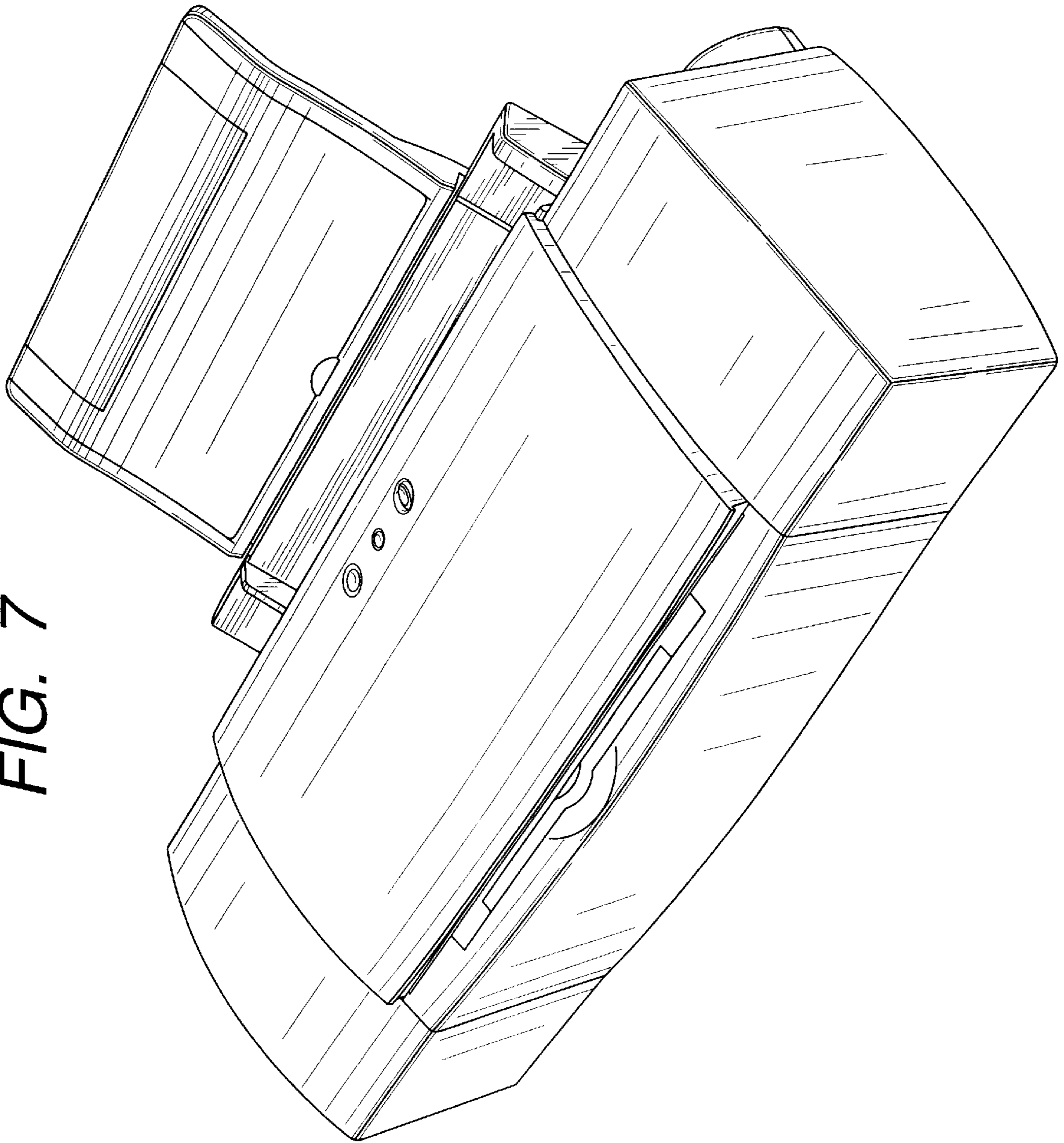


FIG. 7



UNITED STATES PATENT AND TRADEMARK OFFICE
CERTIFICATE OF CORRECTION

PATENT NO. : Des. 466,921 S
DATED : December 10, 2002
INVENTOR(S) : Yasunori Senshiki

Page 1 of 1

It is certified that error appears in the above-identified patent and that said Letters Patent is hereby corrected as shown below:

Title page,

Item [54], Title, "COMPUTER PRINT" should read -- **COMPUTER PRINTER** --.

Signed and Sealed this

Twentieth Day of May, 2003

A handwritten signature in black ink, appearing to read "James E. Rogan", written over a horizontal line.

JAMES E. ROGAN
Director of the United States Patent and Trademark Office