



US00D466919S

(12) **United States Design Patent**  
**Bartlett**

(10) **Patent No.:** **US D466,919 S**

(45) **Date of Patent:** **\*\* Dec. 10, 2002**

(54) **PRINTER**

(75) **Inventor:** **Andrew William Bartlett**, Chorlton  
(GB)

(73) **Assignee:** **Able Systems Limited**, Cheshire (GB)

(\*\*) **Term:** **14 Years**

(21) **Appl. No.:** **29/130,976**

(22) **Filed:** **Oct. 12, 2000**

(30) **Foreign Application Priority Data**

Apr. 19, 2000 (GB) ..... 2092320

(51) **LOC (7) Cl.** ..... **14-02**

(52) **U.S. Cl.** ..... **D18/50**

(58) **Field of Search** ..... D18/36-39, 50,  
D18/54-55; D14/462-470; 400/691-694,  
690.1-690.4, 613, 613.1-613.4

(56) **References Cited**

**U.S. PATENT DOCUMENTS**

- D210,108 S \* 2/1968 Kooch
- D281,247 S \* 11/1985 Lahey et al. .... D18/55
- 4,800,400 A \* 1/1989 Douglas ..... D18/50
- 4,847,632 A \* 7/1989 Norris ..... 346/134
- D315,905 S \* 4/1991 Ito et al. .... D14/156
- D321,190 S \* 10/1991 Ito et al. .... D14/156
- D322,275 S \* 12/1991 Takeda et al. .... D18/50

- D343,857 S \* 2/1994 Clary ..... D18/50
- D362,267 S \* 9/1995 Yamanaka et al. .... D18/50
- D362,673 S \* 9/1995 Yamamoto ..... D18/19
- 5,447,380 A \* 9/1995 Colonel et al. .... 400/693
- 5,538,352 A \* 7/1996 Sugiura ..... 400/615.2
- D382,295 S \* 8/1997 Bixler et al. .... D18/55
- 6,132,122 A \* 10/2000 Robinson et al. .... 400/691

\* cited by examiner

*Primary Examiner*—Cathy Anne MacCormac  
(74) *Attorney, Agent, or Firm*—Woodard, Emhardt,  
Naughton, Moriarty & McNett

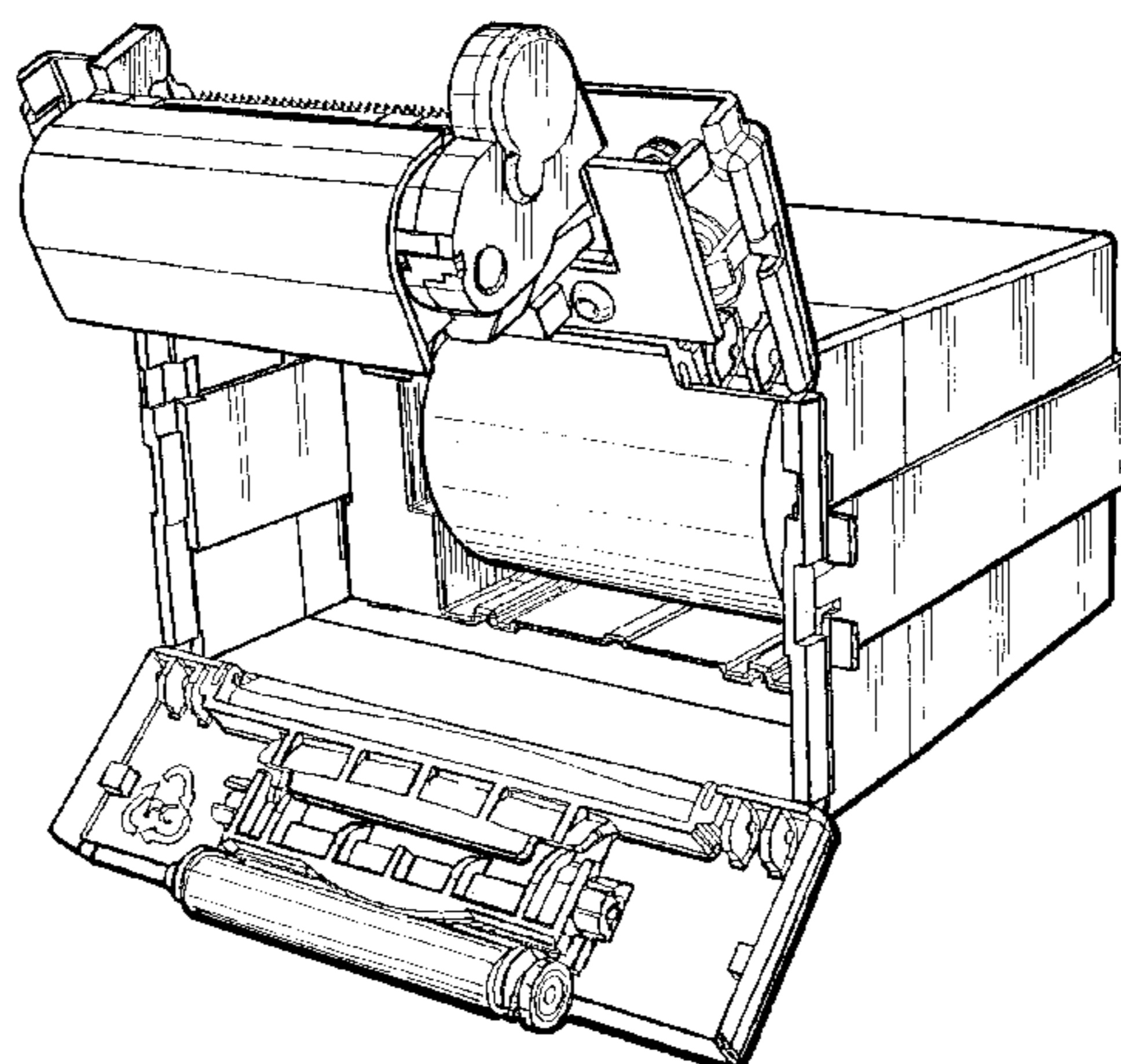
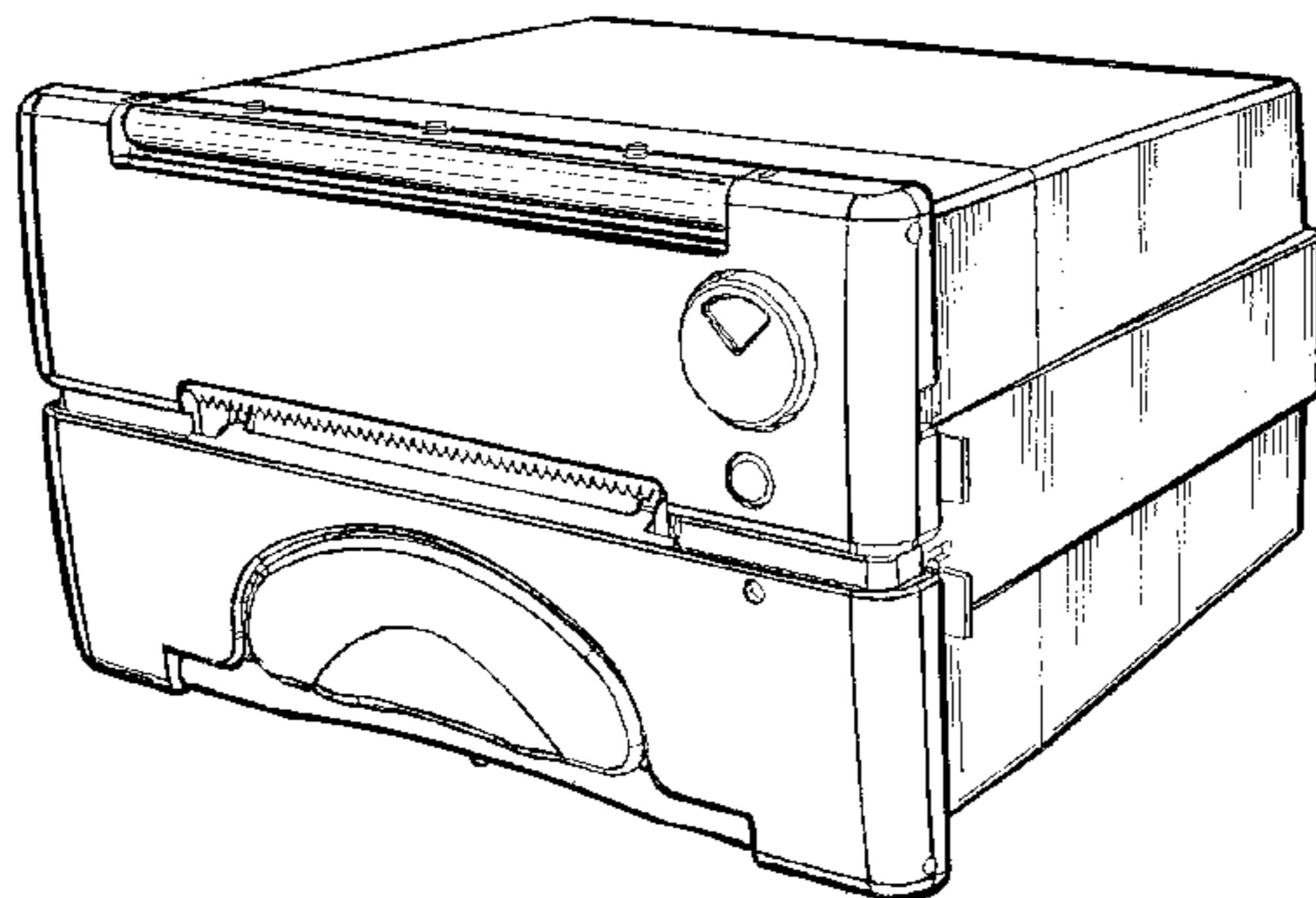
(57) **CLAIM**

The ornamental design for a printer, as shown and described.

**DESCRIPTION**

FIG. 1 is a reduced bottom plan view of a printer showing my new design;  
 FIG. 2 is a rear elevational view thereof;  
 FIG. 3 is a reduced top plan view thereof;  
 FIG. 4 is a left side elevational view thereof;  
 FIG. 5 is a rear perspective view thereof;  
 FIG. 6 is a front elevational view thereof;  
 FIG. 7 is a right side view thereof;  
 FIG. 8 is a front perspective view; and,  
 FIG. 9 is another front perspective view showing the doors in open position.

**1 Claim, 5 Drawing Sheets**



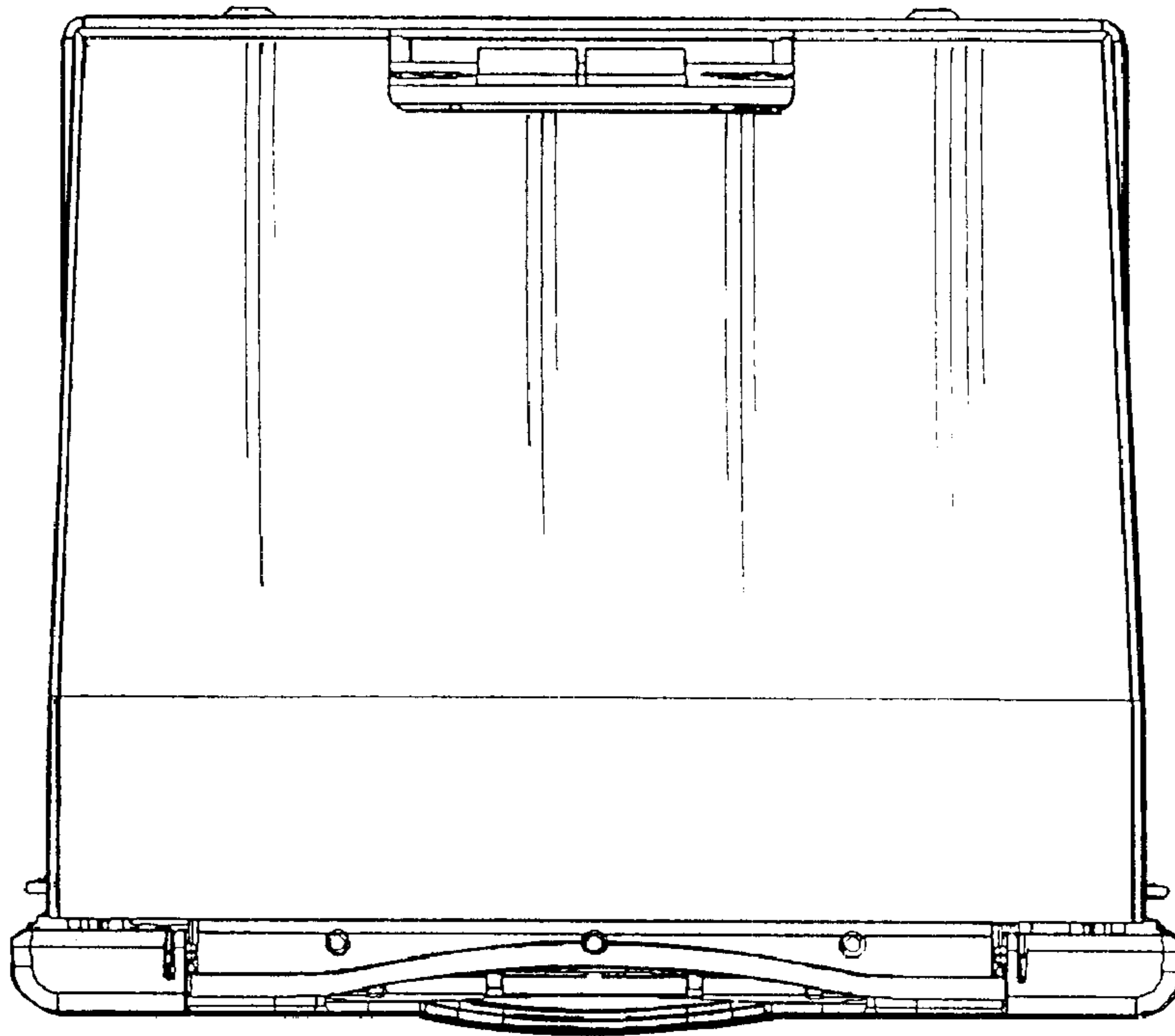


FIG. 1

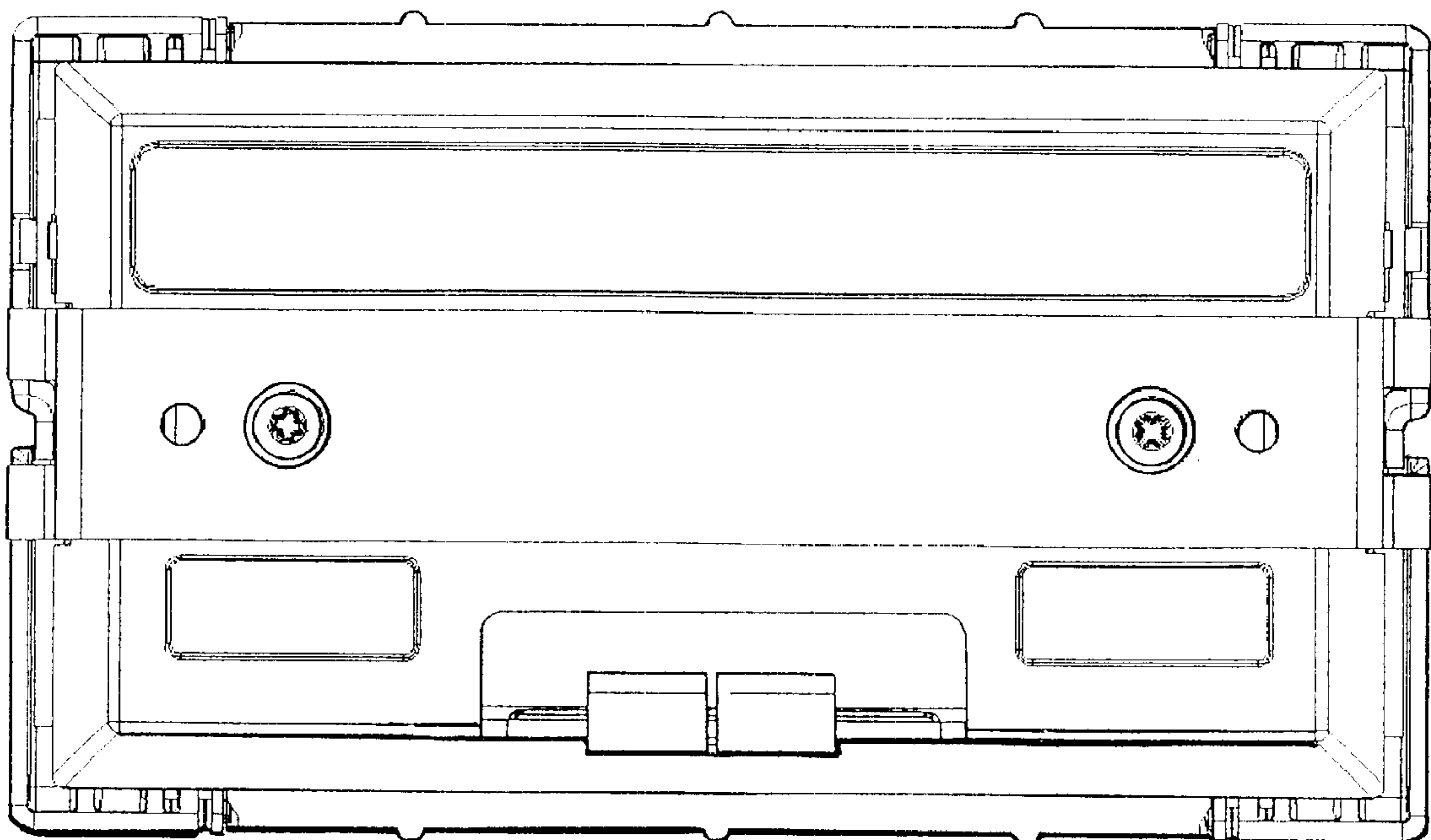


FIG. 2

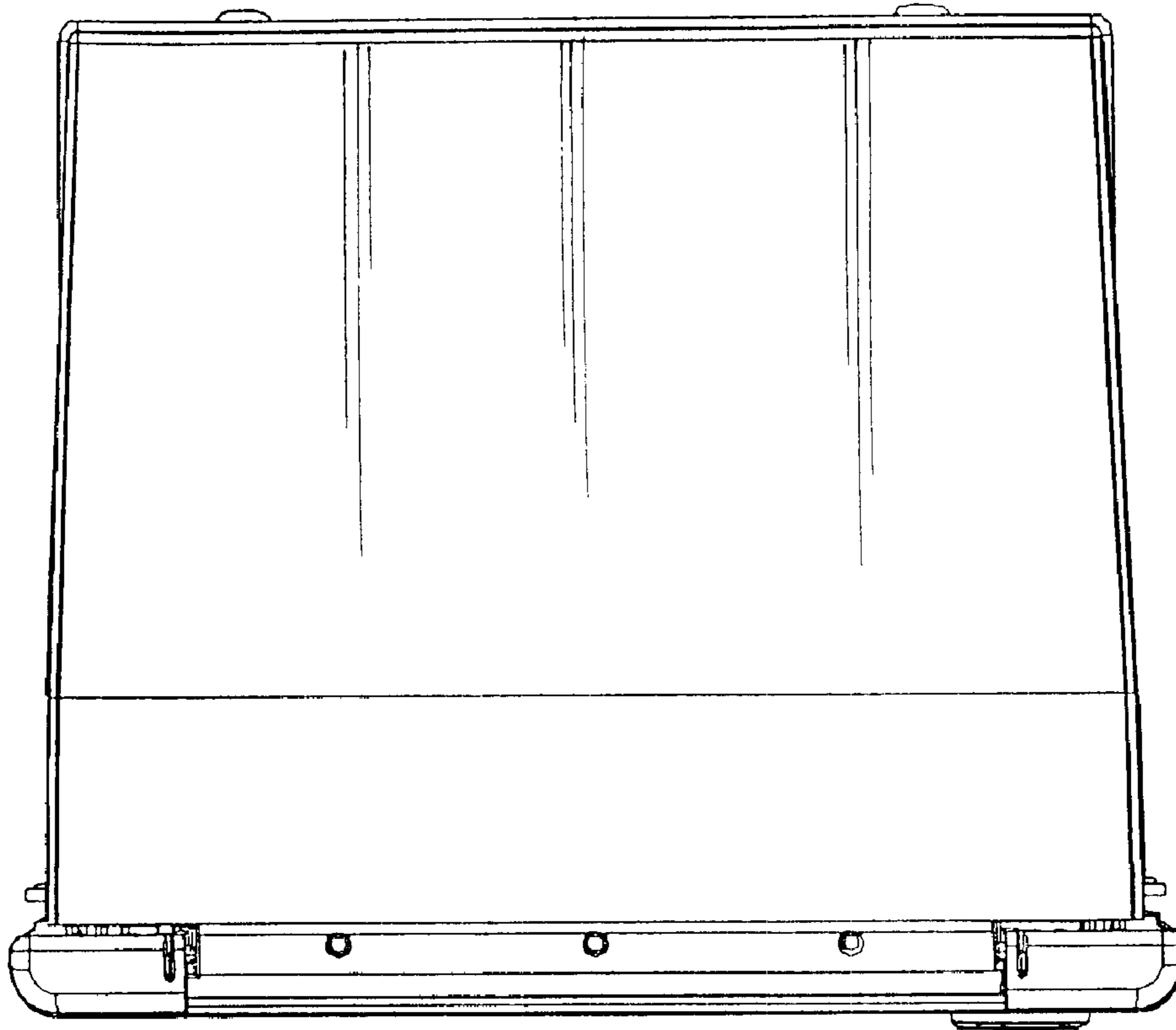


FIG. 3

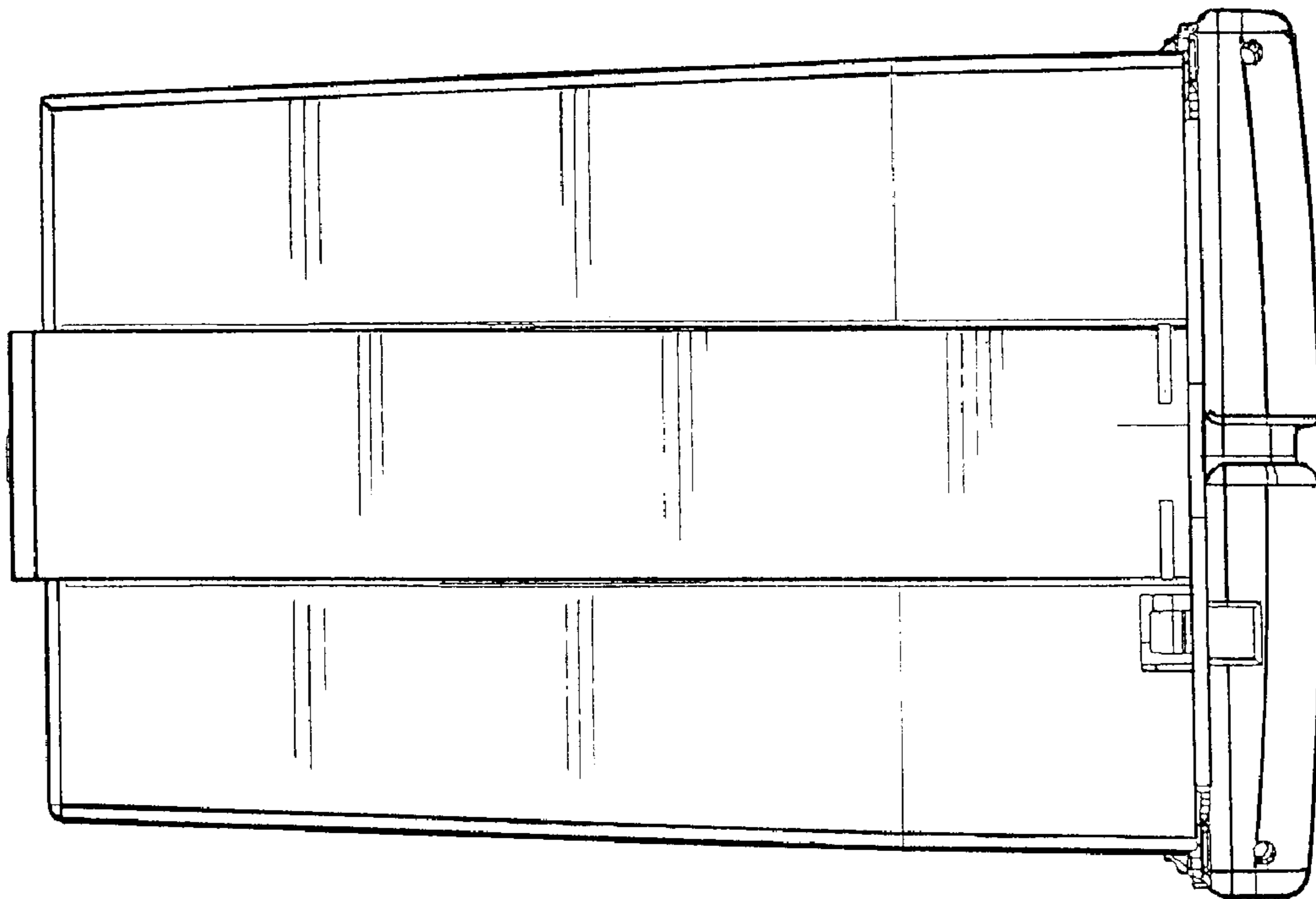


FIG. 4

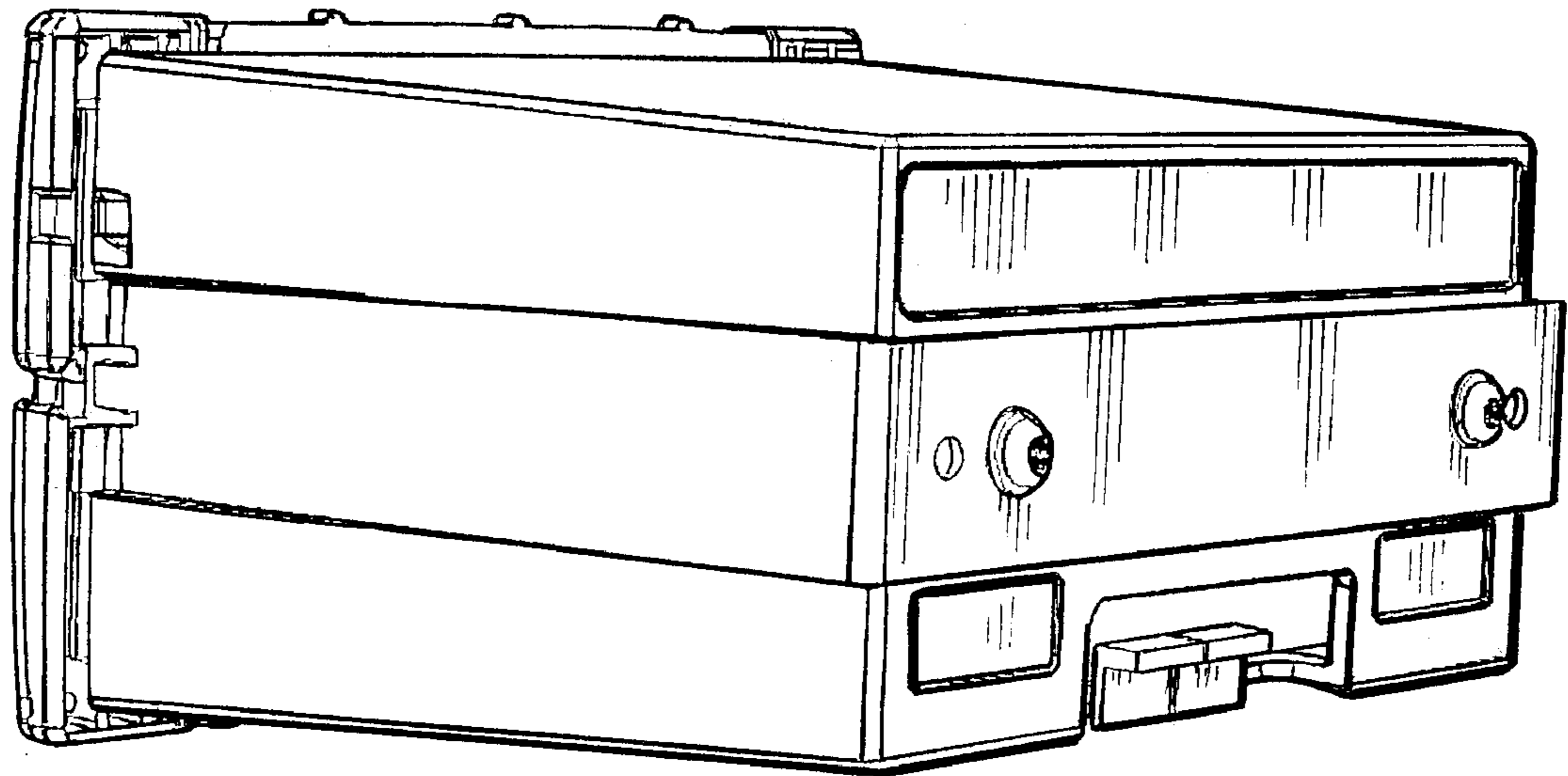


FIG. 5

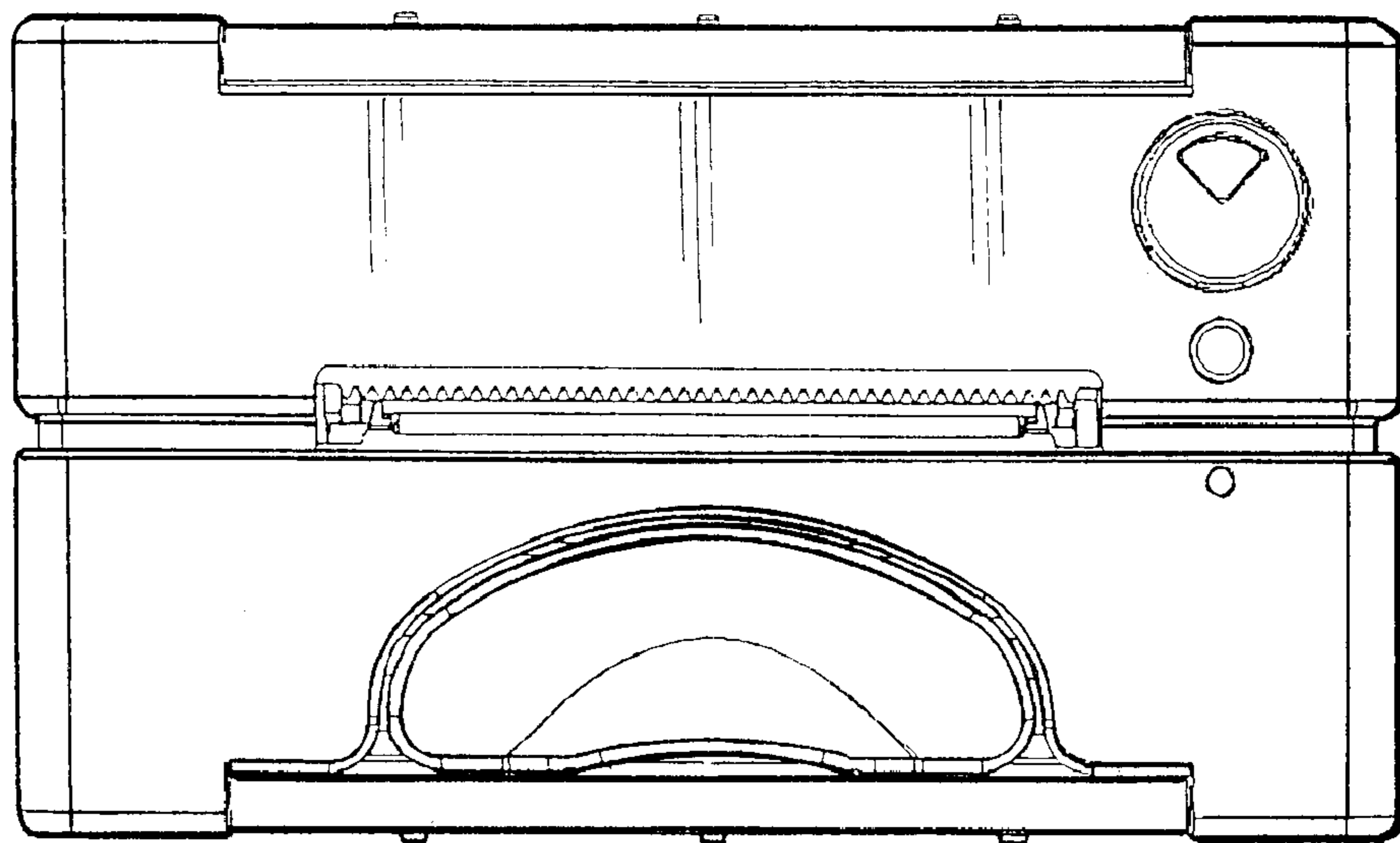


FIG. 6



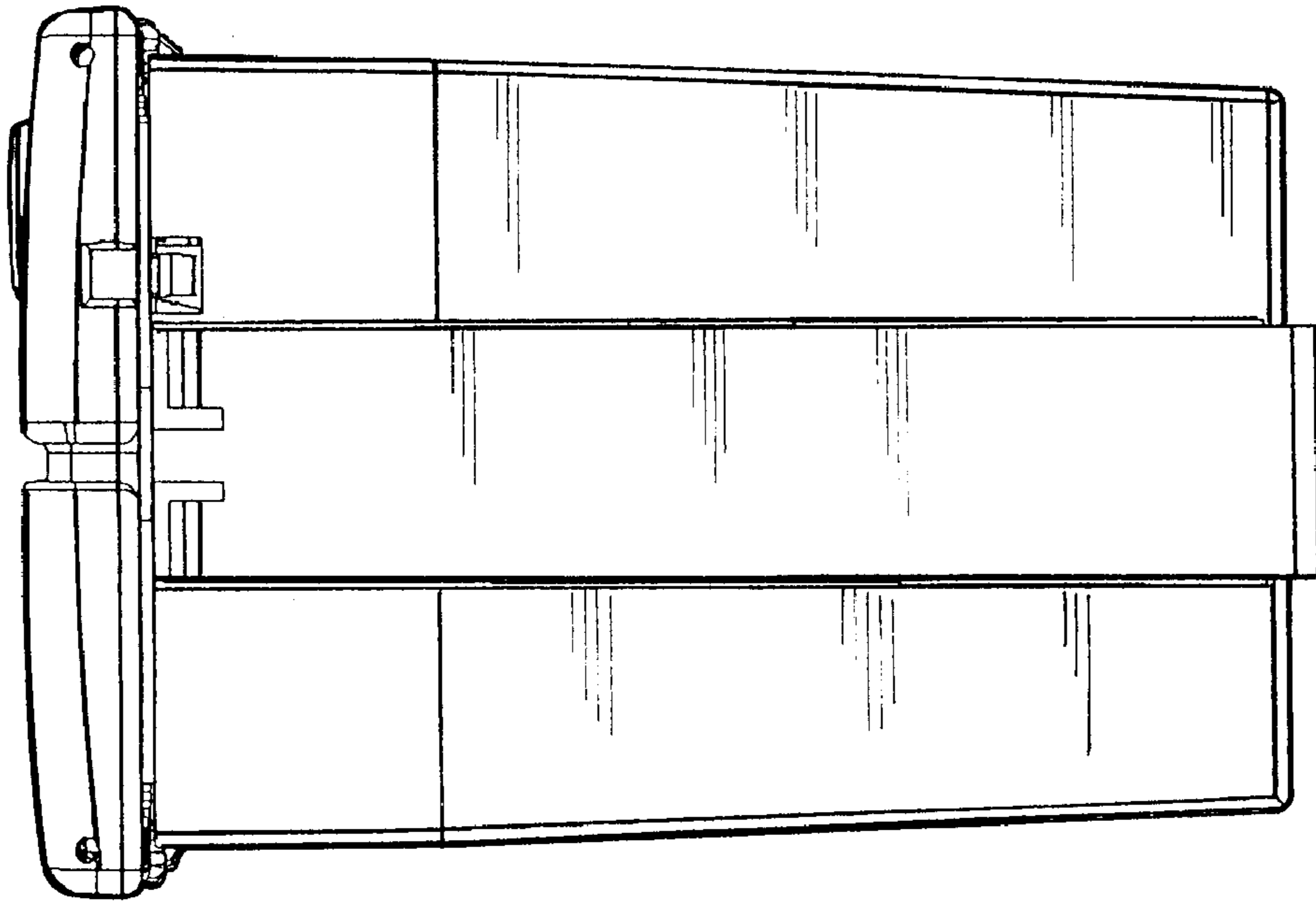


FIG. 7

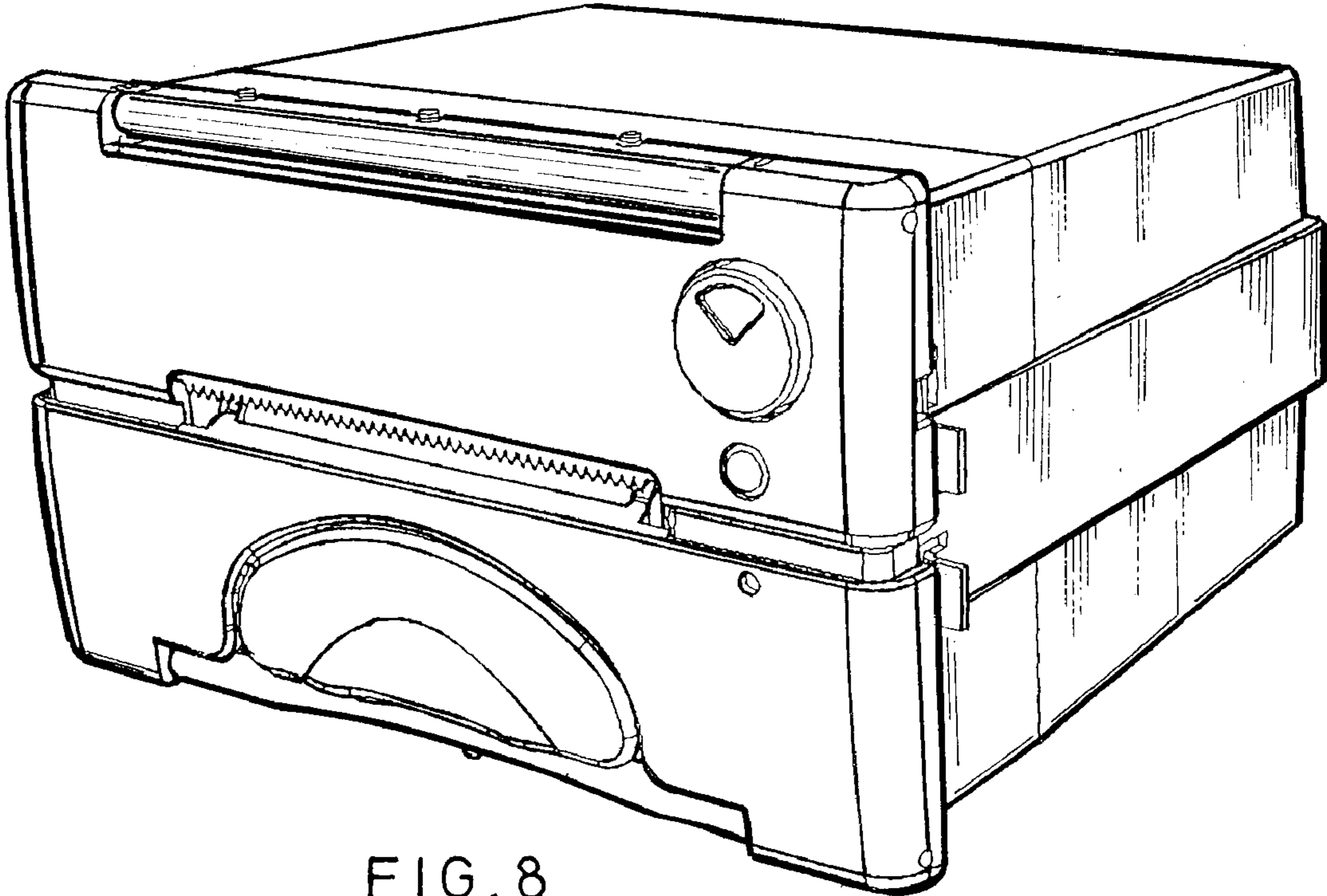


FIG. 8

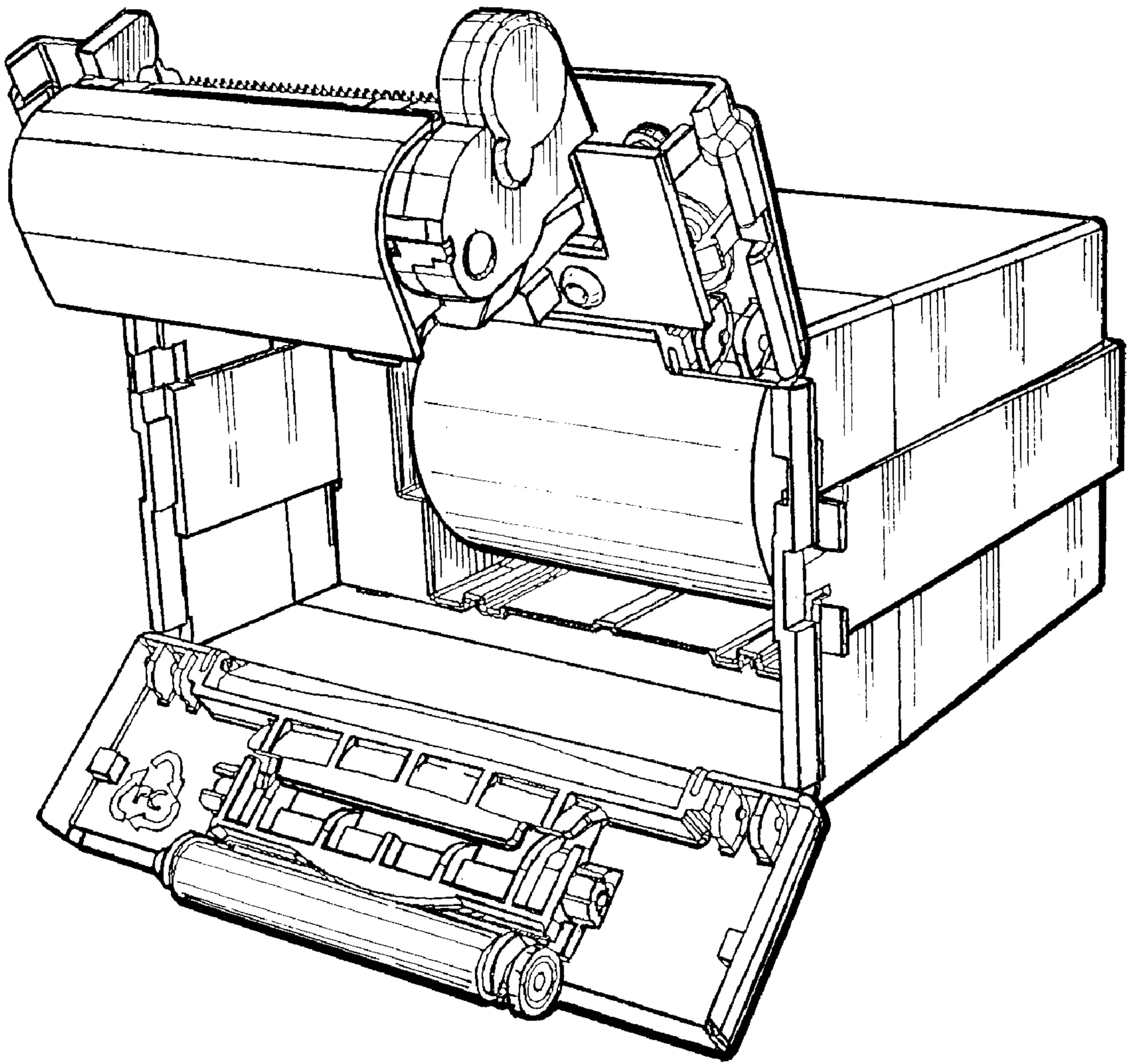


FIG. 9