



US00D466918S

(12) **United States Design Patent**
Shiozaki et al.

(10) **Patent No.:** **US D466,918 S**

(45) **Date of Patent:** **** Dec. 10, 2002**

(54) **TONER SUPPLYING CARTRIDGE FOR PHOTOCOPIER**

D374,456 S * 10/1996 Wakatsuki et al. D18/43
D448,795 S * 10/2001 Kusanagi et al. D18/43

(76) Inventors: **Akihisa Shiozaki**, 1-12-301,
Tsujido-nishikaigan 3-chome,
Fujisawa-shi, Kanagawa-ken (JP);
Toshifumi Itabashi, 10-33-402,
Shin-machi 4-chome, Toride-shi,
Ibaraki-ken (JP); **Katsuya Murakami**,
4-21-102, Shin-machi 3-chome,
Toride-shi, Ibaraki-ken (JP)

* cited by examiner

Primary Examiner—Caron D. Veynar

(57) **CLAIM**

The ornamental design for a toner supplying cartridge for photocopier, as shown and described.

(**) Term: **14 Years**

DESCRIPTION

(21) Appl. No.: **29/155,824**

FIG. 1 is a front view of a toner supplying cartridge for photocopier showing our new design;

(22) Filed: **Feb. 20, 2002**

FIG. 2 is a rear view thereof;

(30) **Foreign Application Priority Data**

Aug. 23, 2001 (JP) 2001-024632

FIG. 3 is a top plan view thereof;

(51) **LOC (7) Cl.** **16-03**

FIG. 4 is a bottom plan view thereof;

(52) **U.S. Cl.** **D18/43**

FIG. 5 is a left side view thereof;

(58) **Field of Search** D18/40, 43, 56;
399/24-28, 262; 222/DIG. 1

FIG. 6 is a right side view thereof;

FIG. 7 is a perspective view thereof; and,

FIG. 8 is a perspective view showing the article in use.

(56) **References Cited**

U.S. PATENT DOCUMENTS

D362,678 S * 9/1995 Ishibashi et al. D18/43

1 Claim, 5 Drawing Sheets

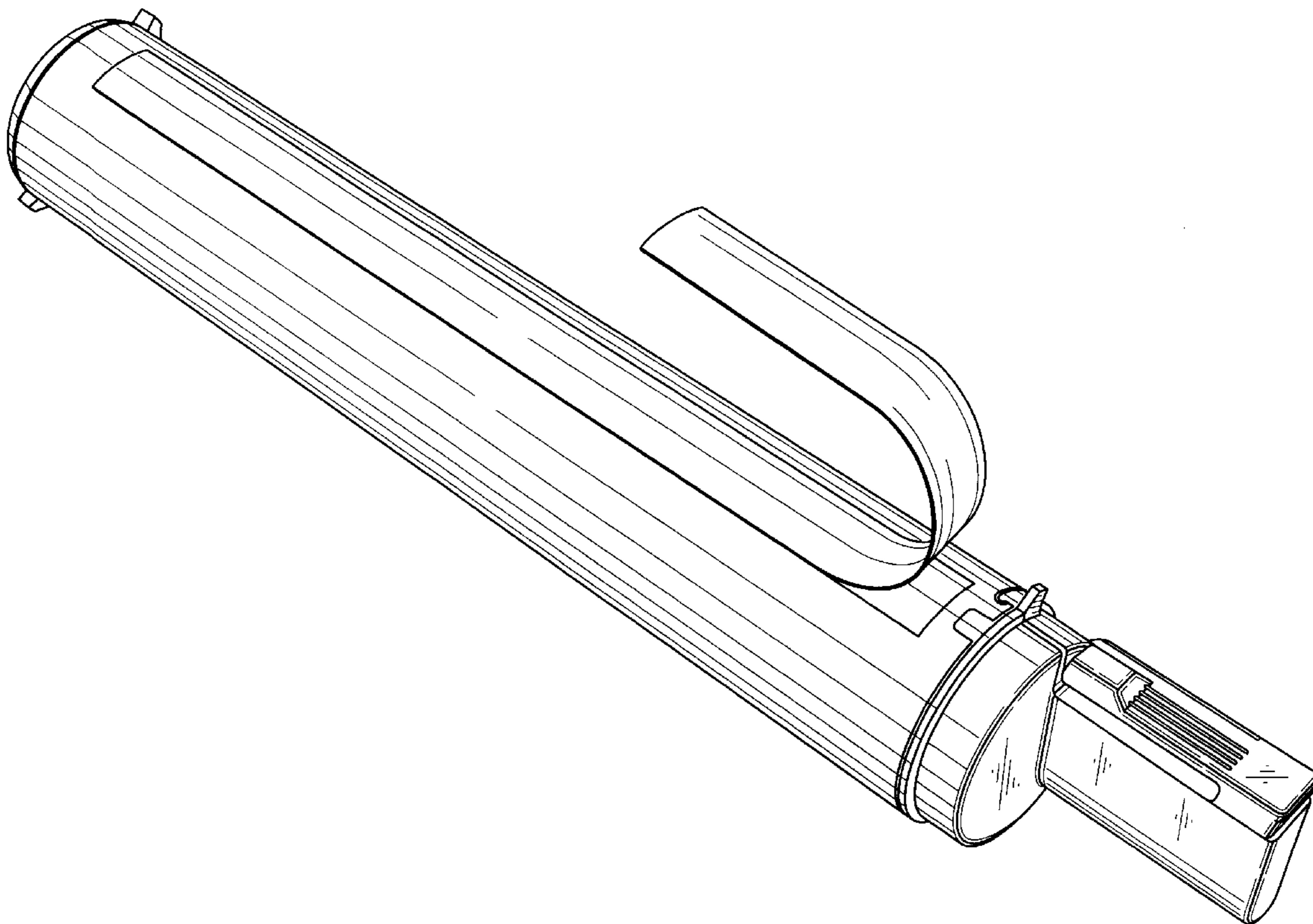


FIG. 1

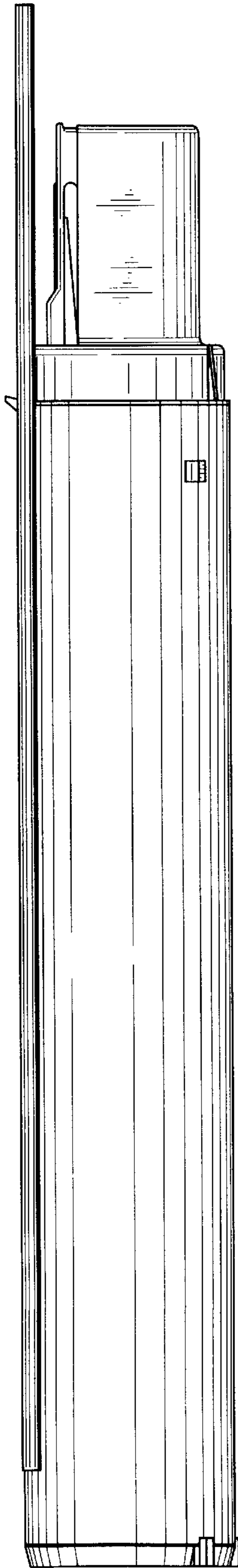


FIG. 2

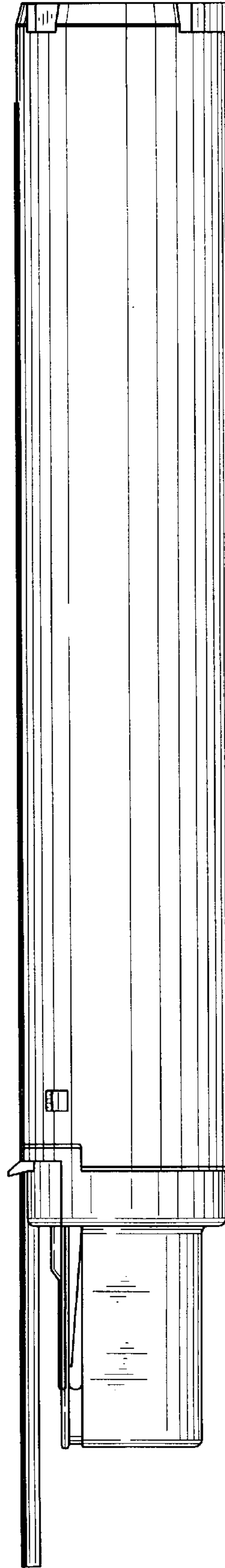


FIG. 3

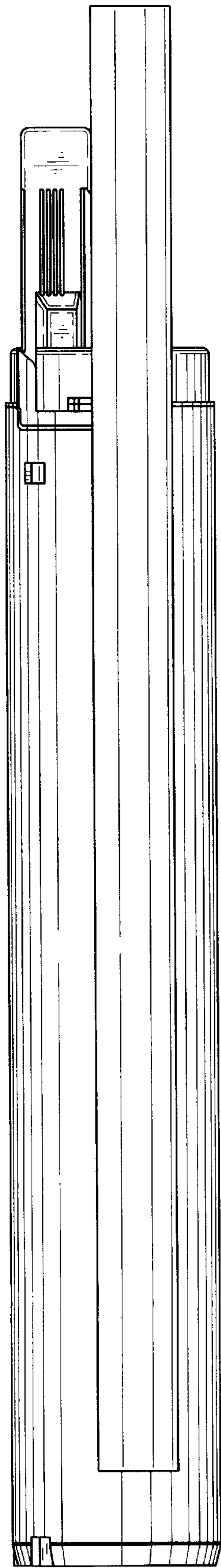


FIG. 4

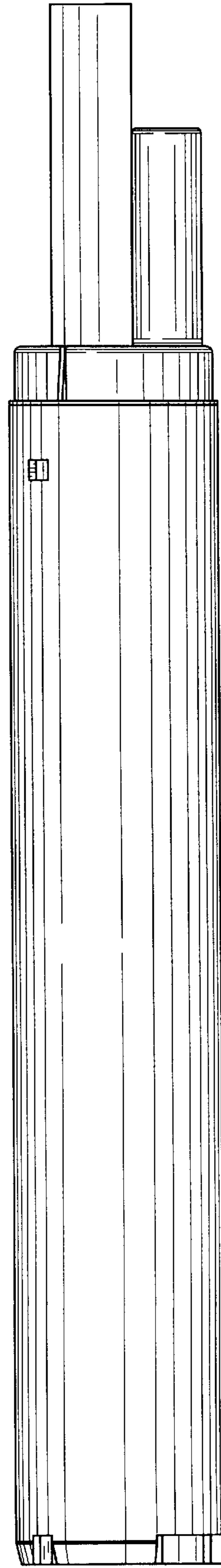


FIG. 5

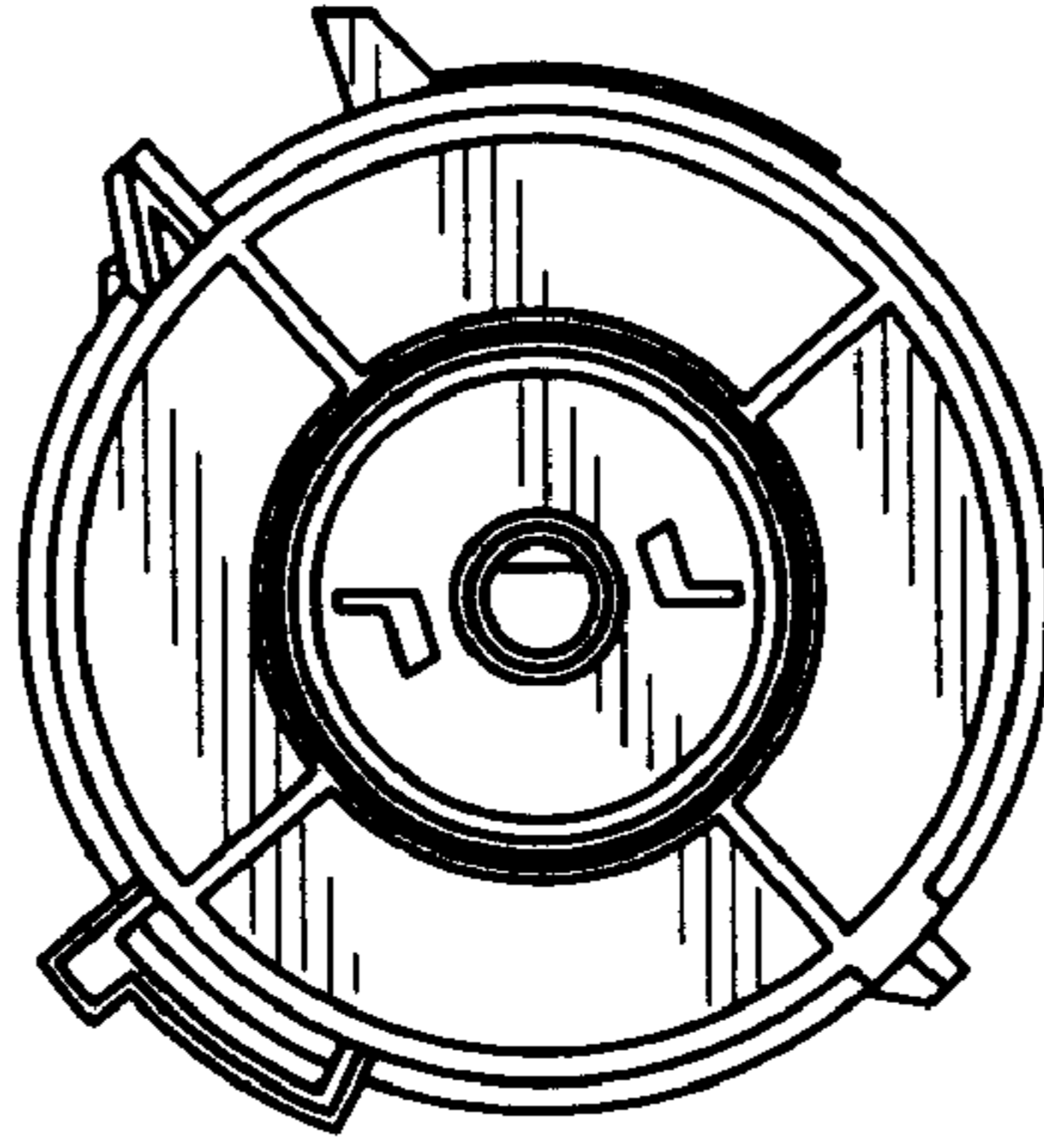


FIG. 6

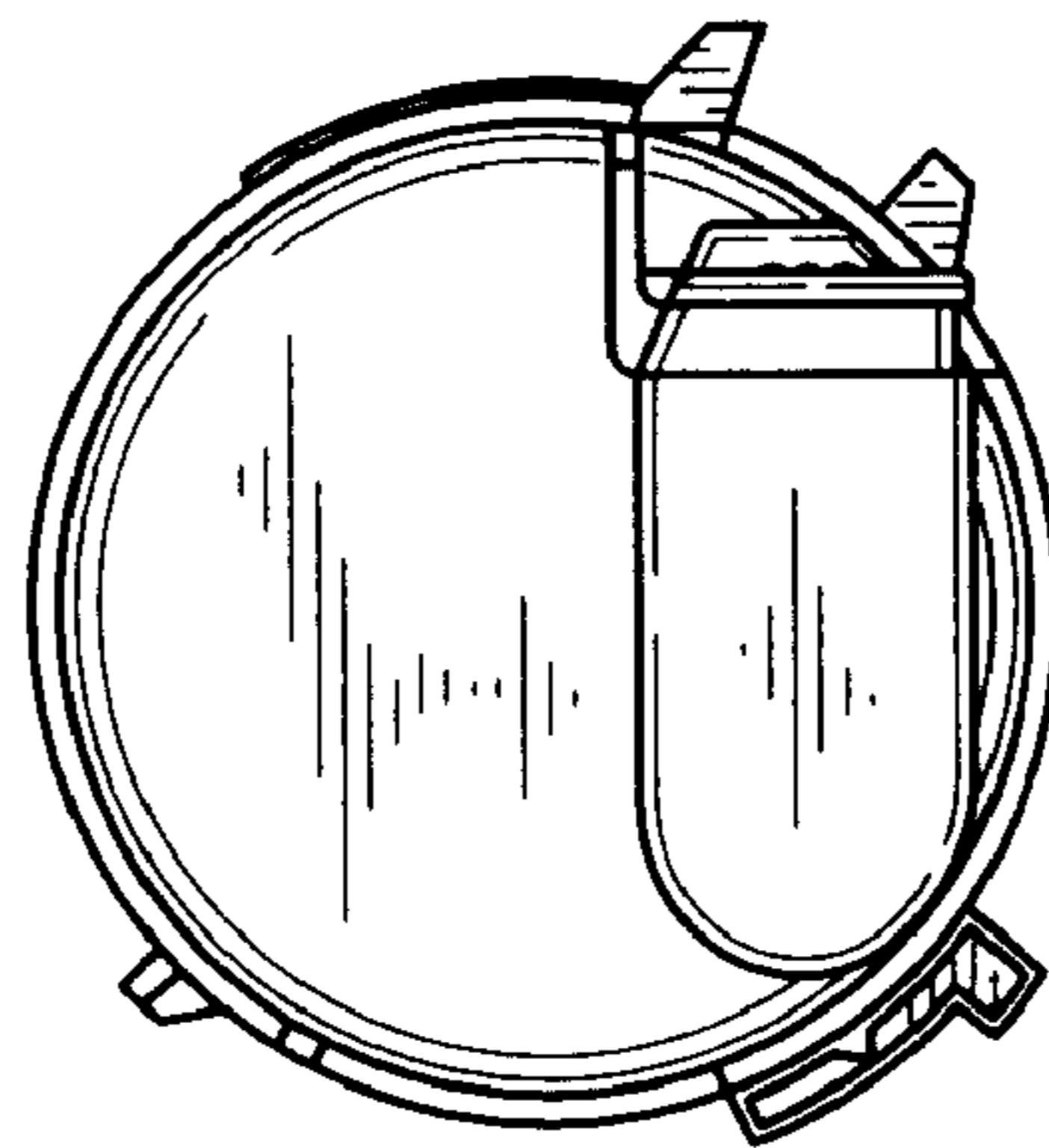
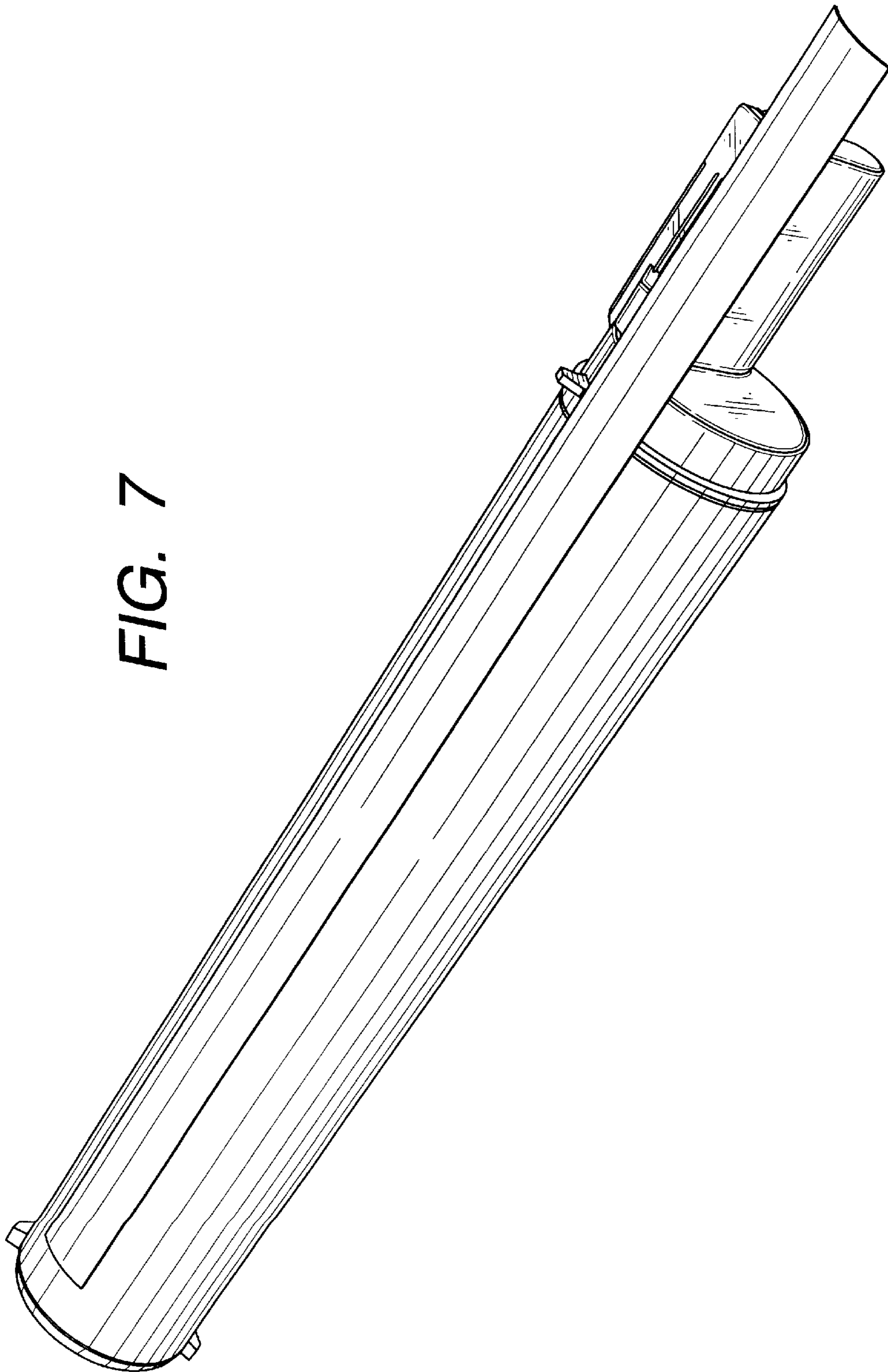


FIG. 7



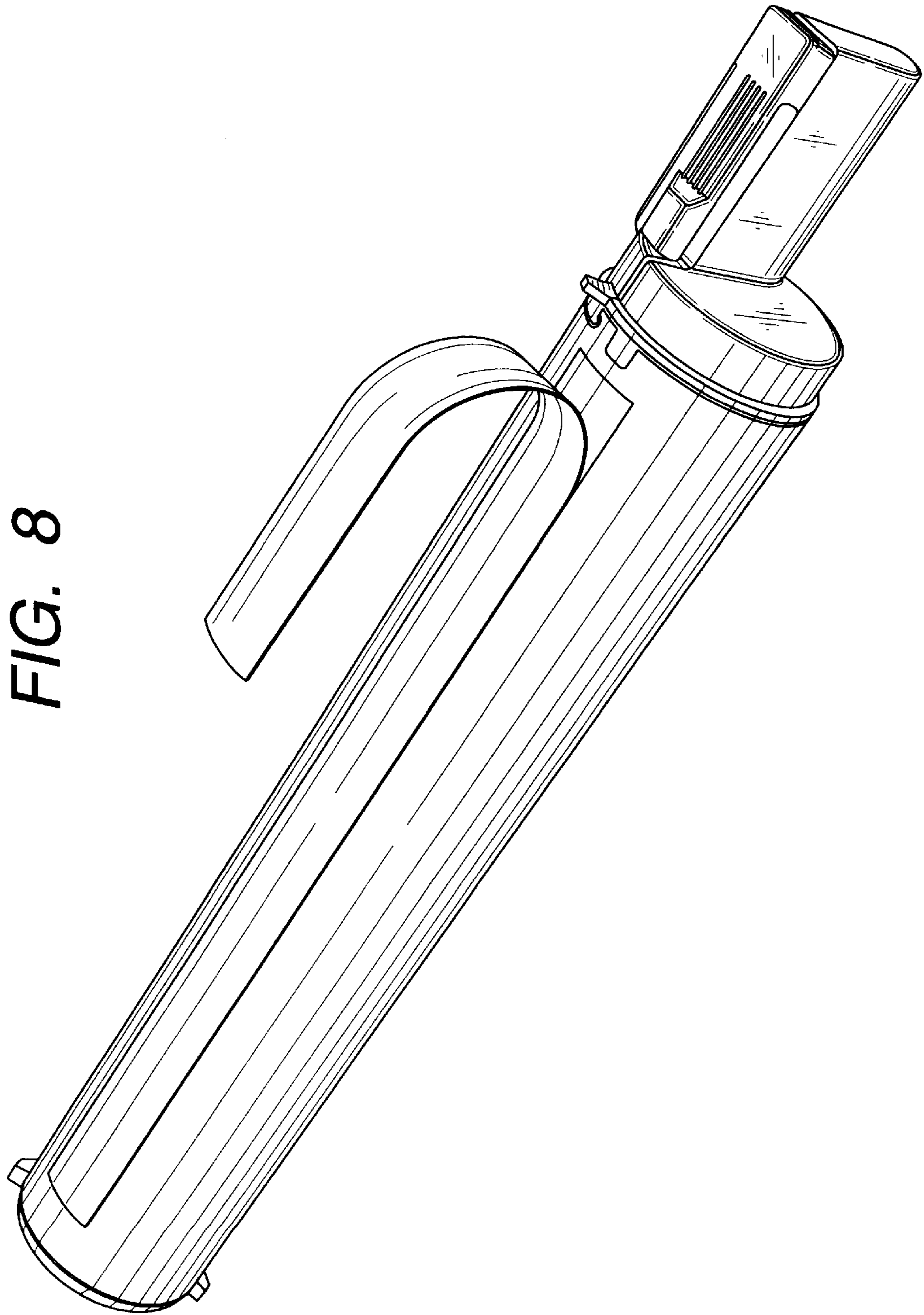


FIG. 8

UNITED STATES PATENT AND TRADEMARK OFFICE
CERTIFICATE OF CORRECTION

PATENT NO. : Des. 466,918 S
DATED : December 10, 2002
INVENTOR(S) : Akihisa Shiozaki

Page 1 of 1

It is certified that error appears in the above-identified patent and that said Letters Patent is hereby corrected as shown below:

Title page,
Insert Item:

-- [73] Assignee: **Canon Kabushiki Kaisha**, Tokyo (JP) --.

Before Item [57], claim, insert:

-- [74] *Attorney, Agent, Firm*: Fitzpatrick, Cella, Harper & Scinto --.

Signed and Sealed this

Twelfth Day of August, 2003

A handwritten signature in black ink, appearing to read "James E. Rogan", with a horizontal line drawn underneath it.

JAMES E. ROGAN
Director of the United States Patent and Trademark Office