



US00D466917S

(12) **United States Design Patent**
Liu

(10) **Patent No.:** **US D466,917 S**

(45) **Date of Patent:** **** Dec. 10, 2002**

(54) **MULTI-FUNCTIONAL OFFICE BUSINESS MACHINE**

D441,784 S * 5/2001 Leong et al. D18/55
D449,851 S * 10/2001 Katou et al. D18/36

(75) Inventor: **Chi-Hsiang Liu, Tai Chung (TW)**

* cited by examiner

(73) Assignee: **Silitek Corporation, Taipei (TW)**

Primary Examiner—Caron D. Veynar

(**) Term: **14 Years**

(74) *Attorney, Agent, or Firm*—Rosenberg, Klein & Lee

(21) Appl. No.: **29/151,432**

(57) **CLAIM**

(22) Filed: **Dec. 10, 2001**

The ornamental design for a “multi-functional office business machine”, as shown and described.

(51) **LOC (7) Cl.** **16-03**

DESCRIPTION

(52) **U.S. Cl.** **D18/36**

(58) **Field of Search** D18/36-39, 53-56;
D14/420-431, 462-470; 399/1-7, 16, 151;
355/400

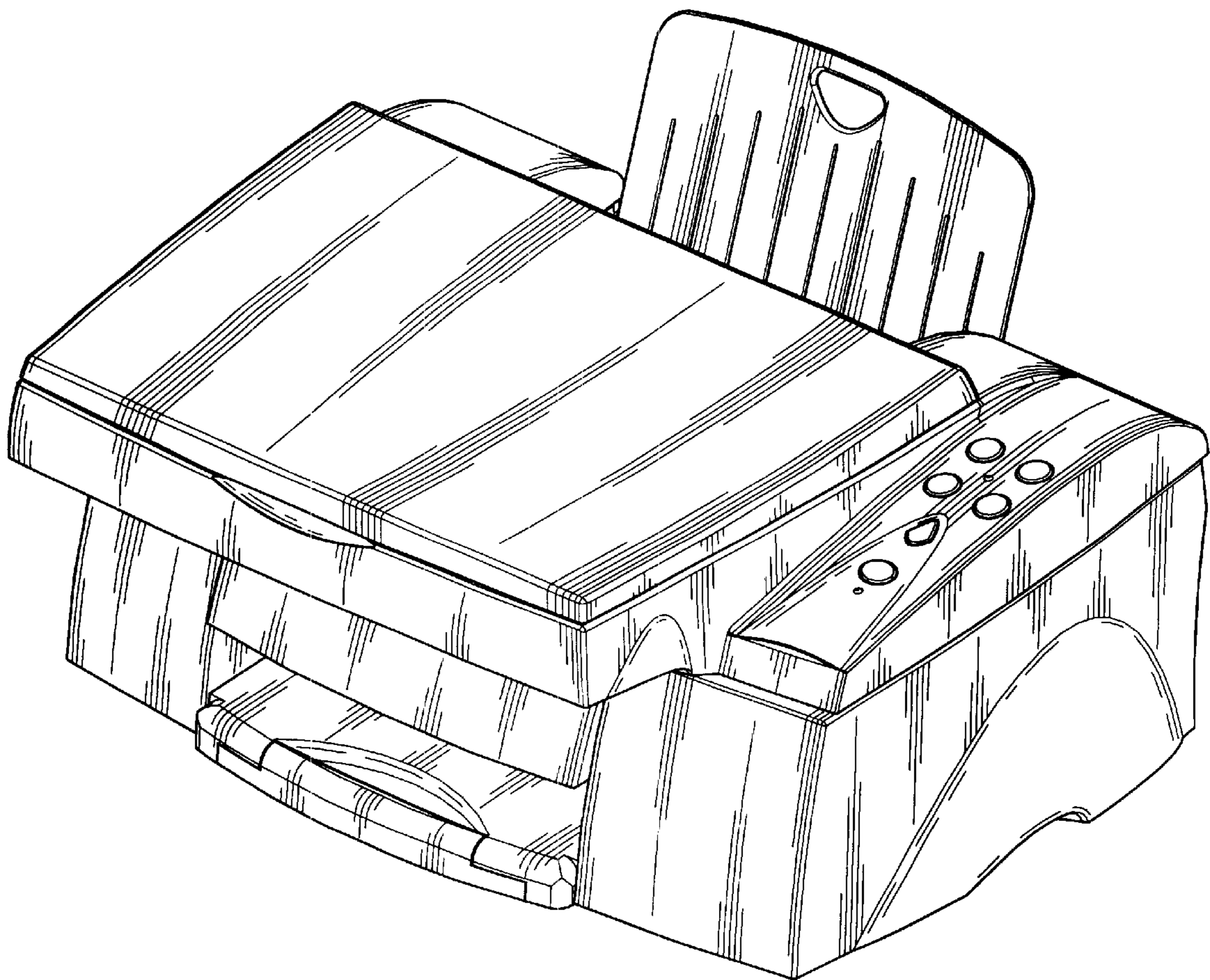
FIG. 1 is the perspective view of a “multi-functional office business machine” showing my new design;
FIG. 2 is the front view thereof;
FIG. 3 is the rear view thereof;
FIG. 4 is the left side view thereof;
FIG. 5 is the right side view thereof;
FIG. 6 is the top view thereof; and,
FIG. 7 is the bottom view thereof.

(56) **References Cited**

U.S. PATENT DOCUMENTS

D434,434 S * 11/2000 Short et al. D18/36
D437,877 S * 2/2001 Chen D18/36

1 Claim, 4 Drawing Sheets



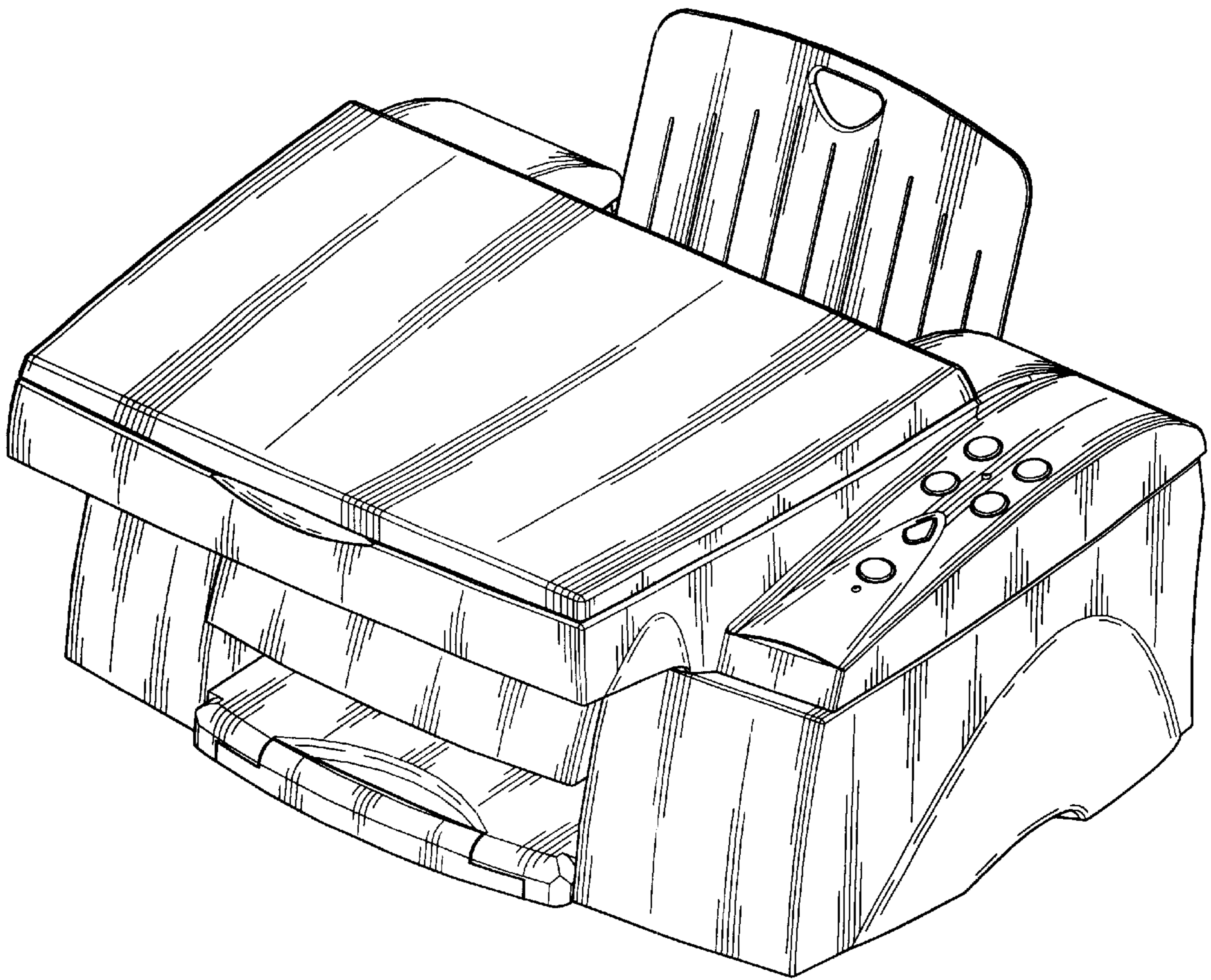


FIG. 1

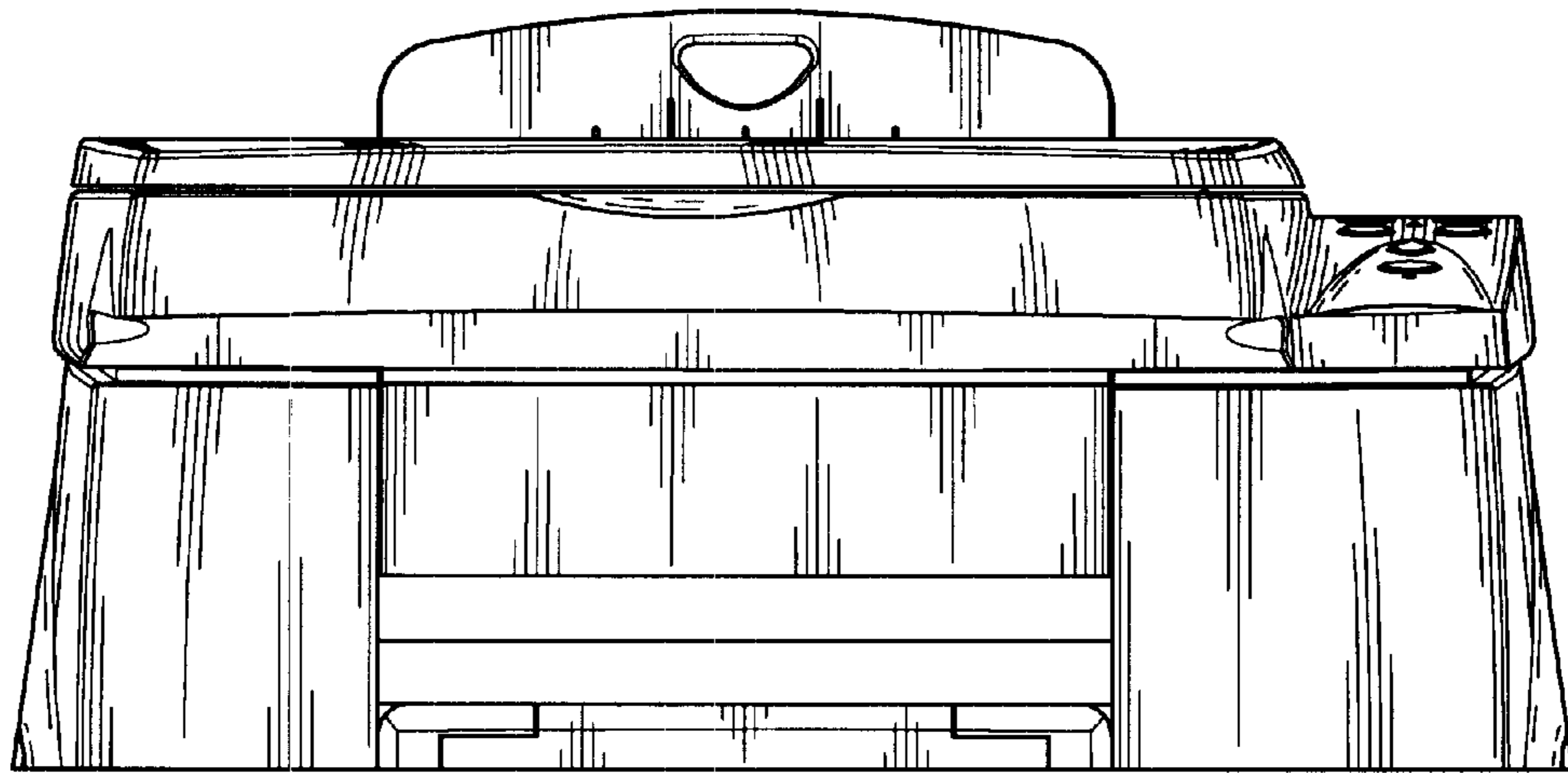


FIG. 2

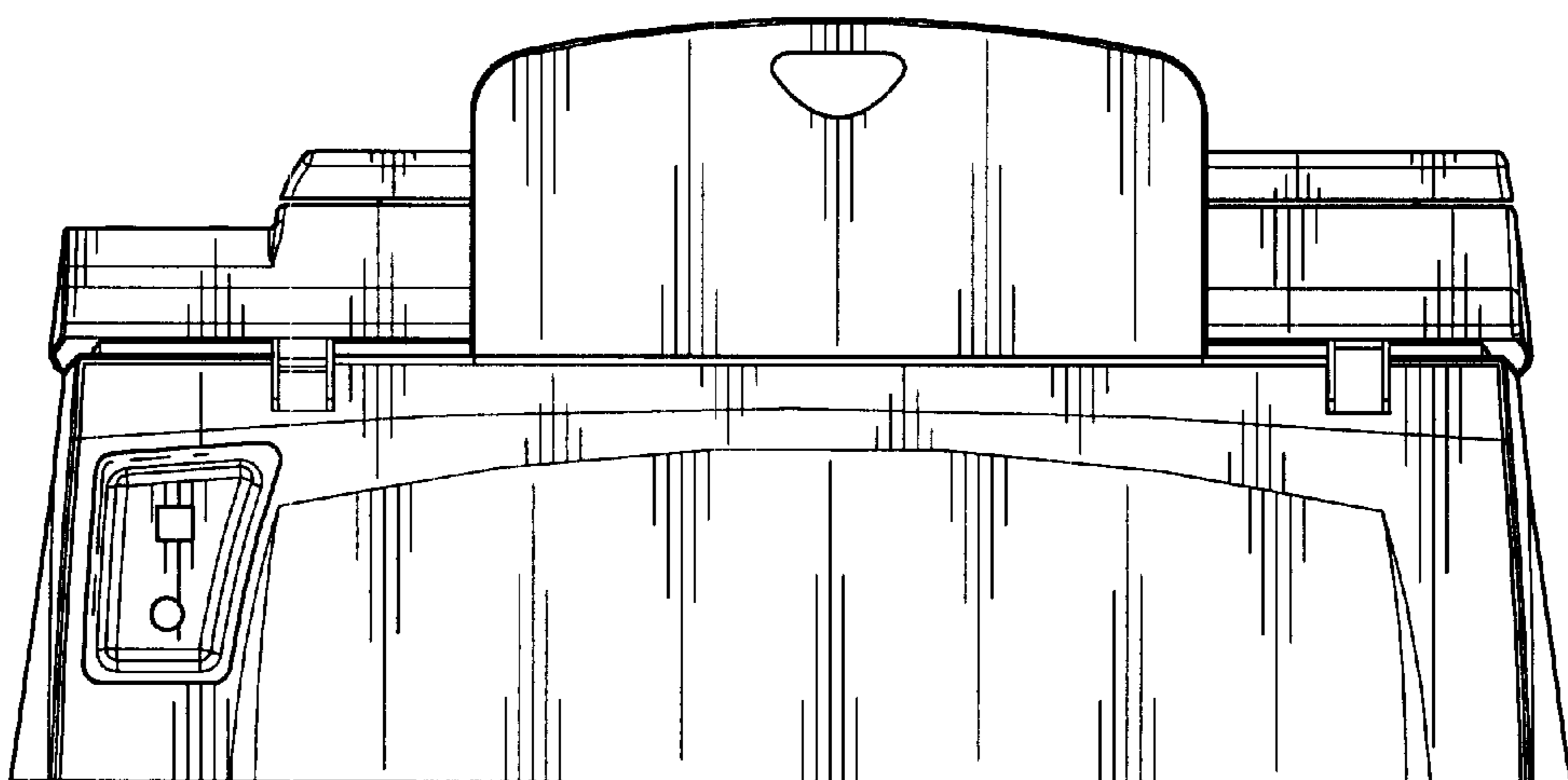


FIG. 3

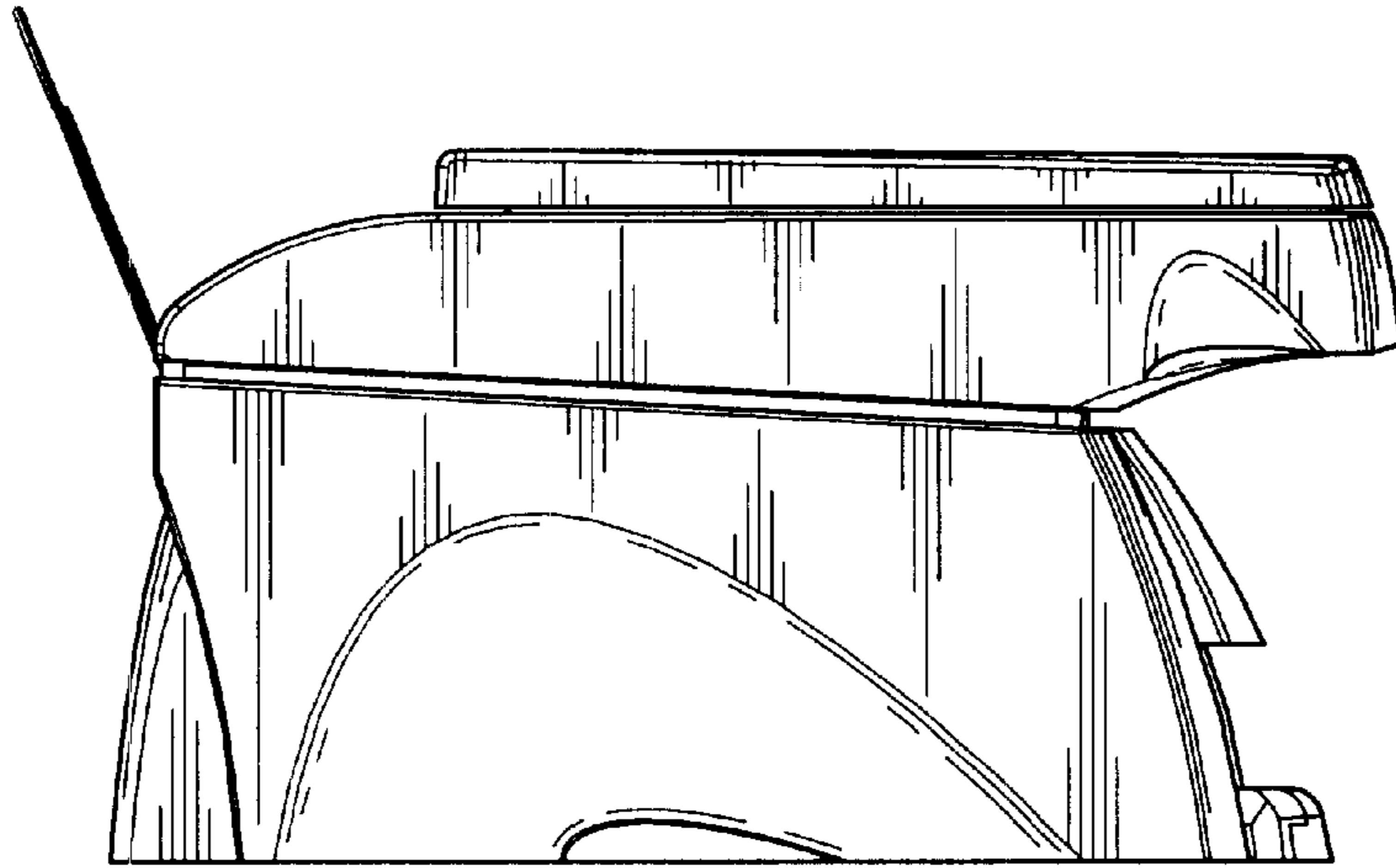


FIG. 4

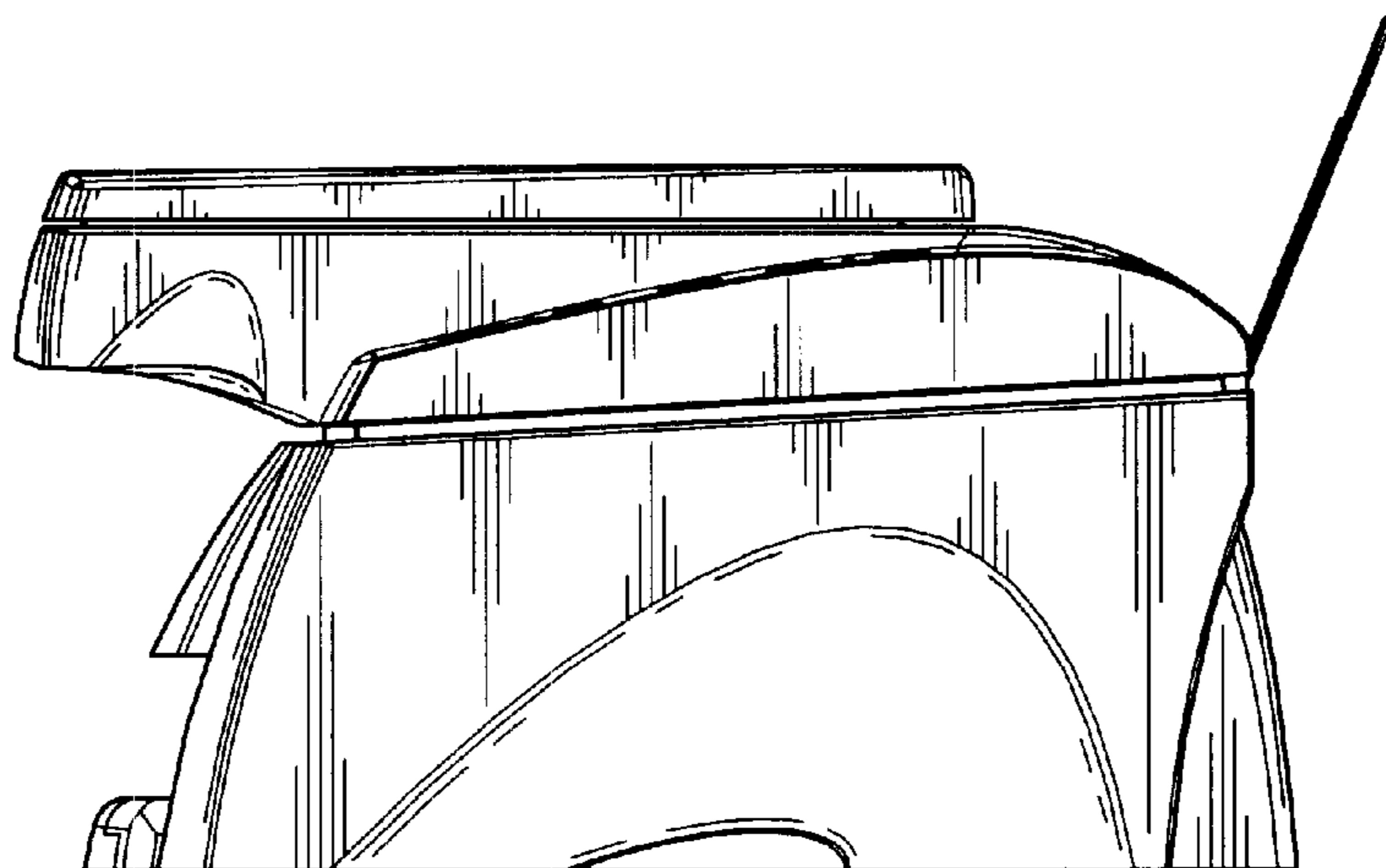


FIG. 5

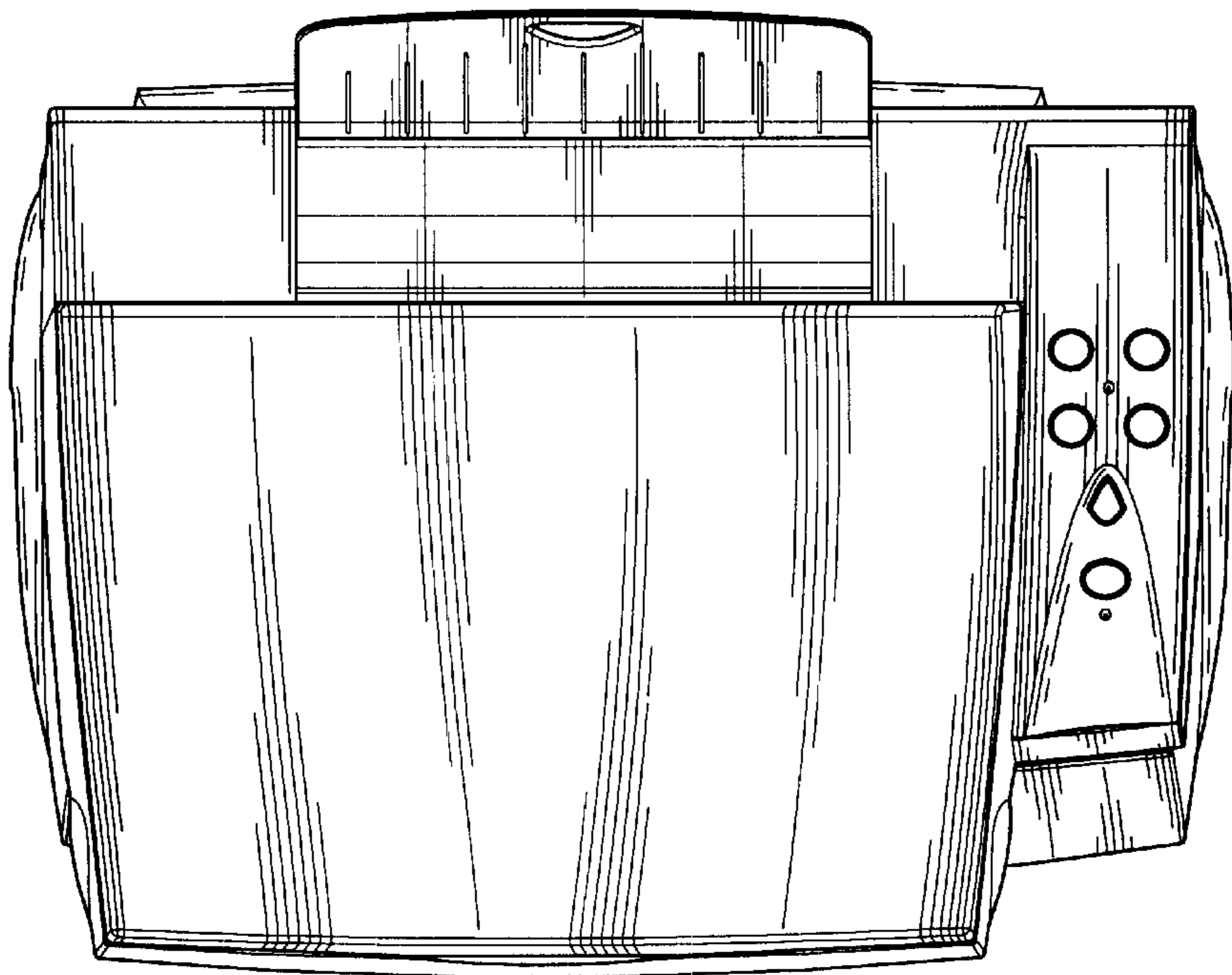


FIG. 6

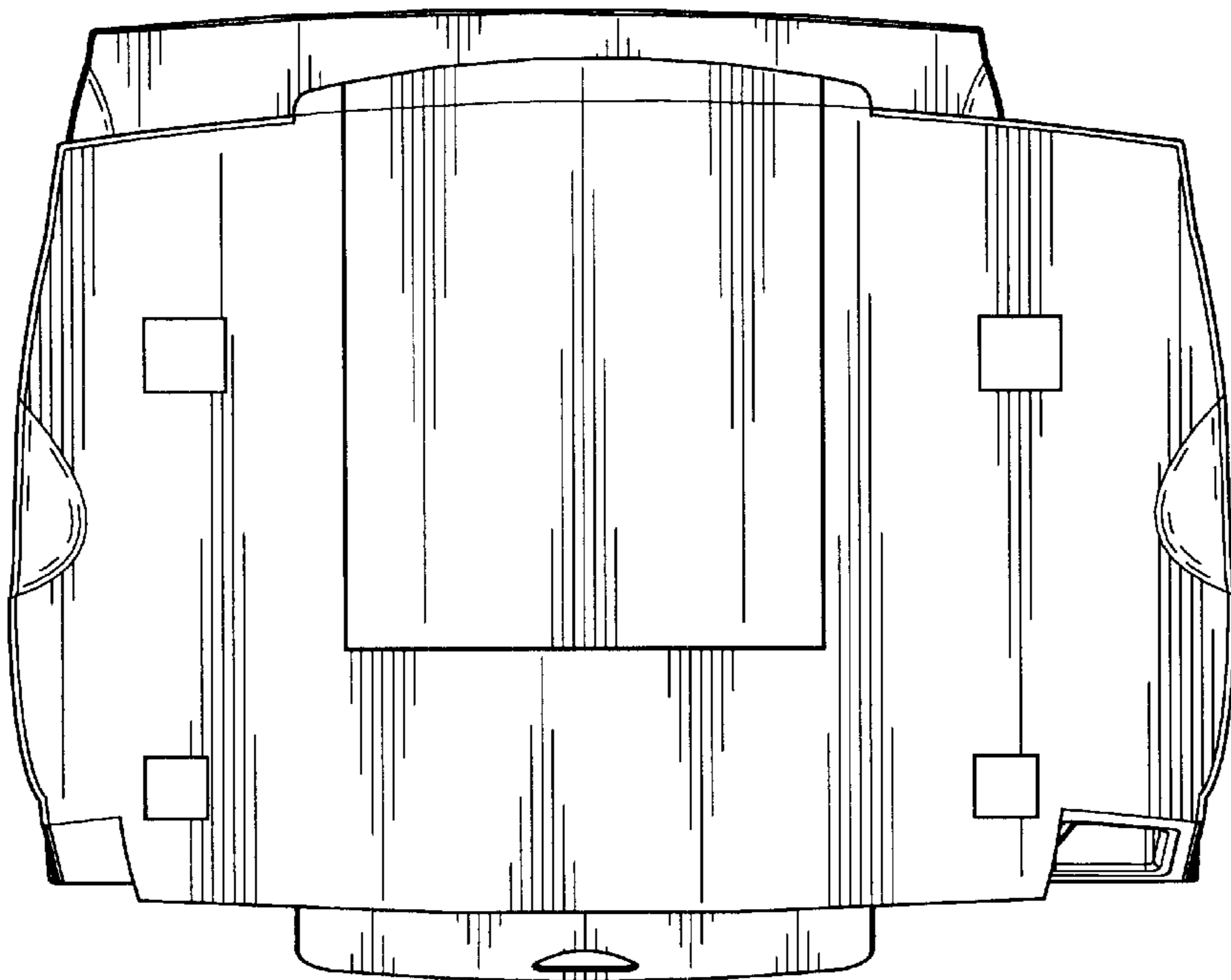


FIG. 7