



US00D466915S

(12) **United States Design Patent**
Schelling et al.

(10) **Patent No.:** **US D466,915 S**

(45) **Date of Patent:** **** Dec. 10, 2002**

(54) **CAMERA COVERING**

(75) Inventors: **Anna C. Schelling**, Rochester, NY (US); **Robert J. Stanchus**, Rochester, NY (US); **Thomas E. Dussinger**, Henrietta, NY (US); **Anthony F. DiGaetano**, Rochester, NY (US)

(73) Assignee: **Eastman Kodak Company**, Rochester, NY (US)

(**) Term: **14 Years**

(21) Appl. No.: **29/152,603**

(22) Filed: **Dec. 21, 2001**

(51) **LOC (7) Cl.** **16-05**

(52) **U.S. Cl.** **D16/219; D20/22**

(58) **Field of Search** **D16/200-205, D16/208, 209, 218, 219, 237; D20/22-28; 206/316.1, 316.2; 396/535-541, 344, 439**

(56) **References Cited**

U.S. PATENT DOCUMENTS

1,196,209	A	*	8/1916	Clark et al.	396/344
D378,603	S	*	3/1997	Chapman et al.	D20/22
D378,767	S	*	4/1997	Chapman et al.	D20/22
D401,259	S	*	11/1998	Chapman et al.	D16/219
D425,536	S	*	5/2000	Schelling et al.	D16/219
D438,572	S	*	3/2001	Schelling et al.	D20/22

* cited by examiner

Primary Examiner—Adir Aronovich
(74) *Attorney, Agent, or Firm*—Roland R. Schindler, II

(57) **CLAIM**

The ornamental design for a camera covering, as shown and described.

DESCRIPTION

Reference is made to commonly assigned, co-pending U.S. patent application Ser. No. 29/153,025 entitled CAMERA WITH INTEGRAL FLASH FEATURE, filed Dec. 21, 2001, in the names of Anna C. Schelling, Robert J. Stanchus, Thomas E. Dussinger, and Anthony F. DiGaetano; U.S. patent application Ser. No. 29/153,026 entitled CAMERA WITH INTEGRAL FLASH FEATURE, filed Dec. 21, 2001, in the names of Anna C. Schelling, Robert J. Stanchus, Thomas E. Dussinger, and Anthony F. DiGaetano.

FIG. 1 is a front view of the camera covering according to our new design;

FIG. 2 is a left side view thereof;

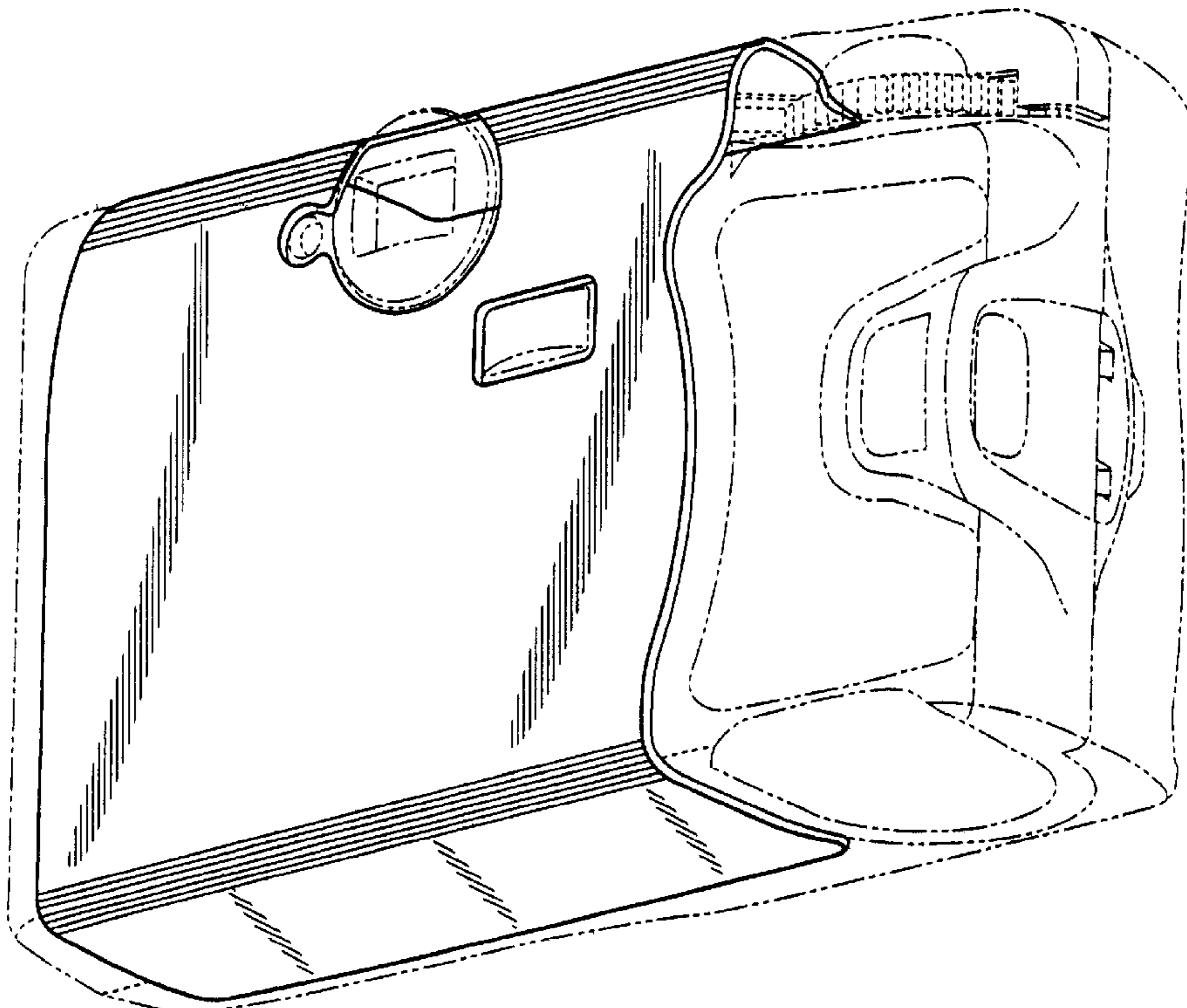
FIG. 3 is a right side view thereof;

FIG. 4 is a top view thereof;

FIG. 5 is a bottom view thereof; and,

FIG. 6 is a perspective view of a camera covering installed on a camera rear portion, the broken line showing of a camera is shown to illustrate environment only and forms no part of the claimed design.

1 Claim, 2 Drawing Sheets



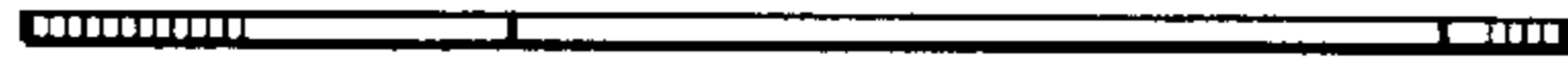


FIG. 4



FIG. 2

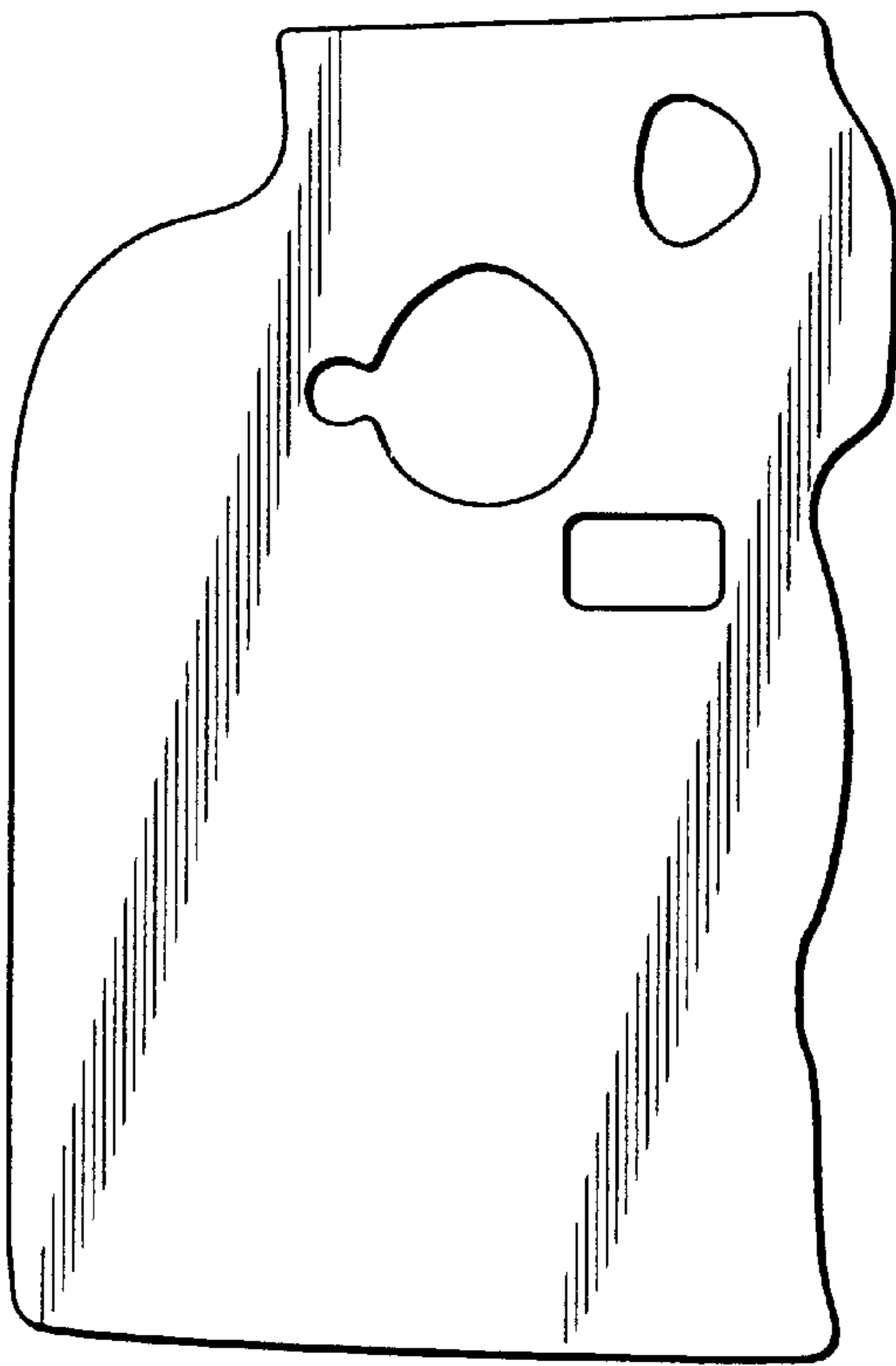


FIG. 1



FIG. 3

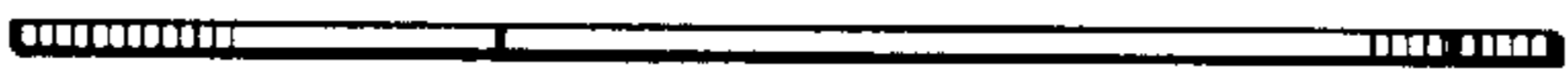


FIG. 5

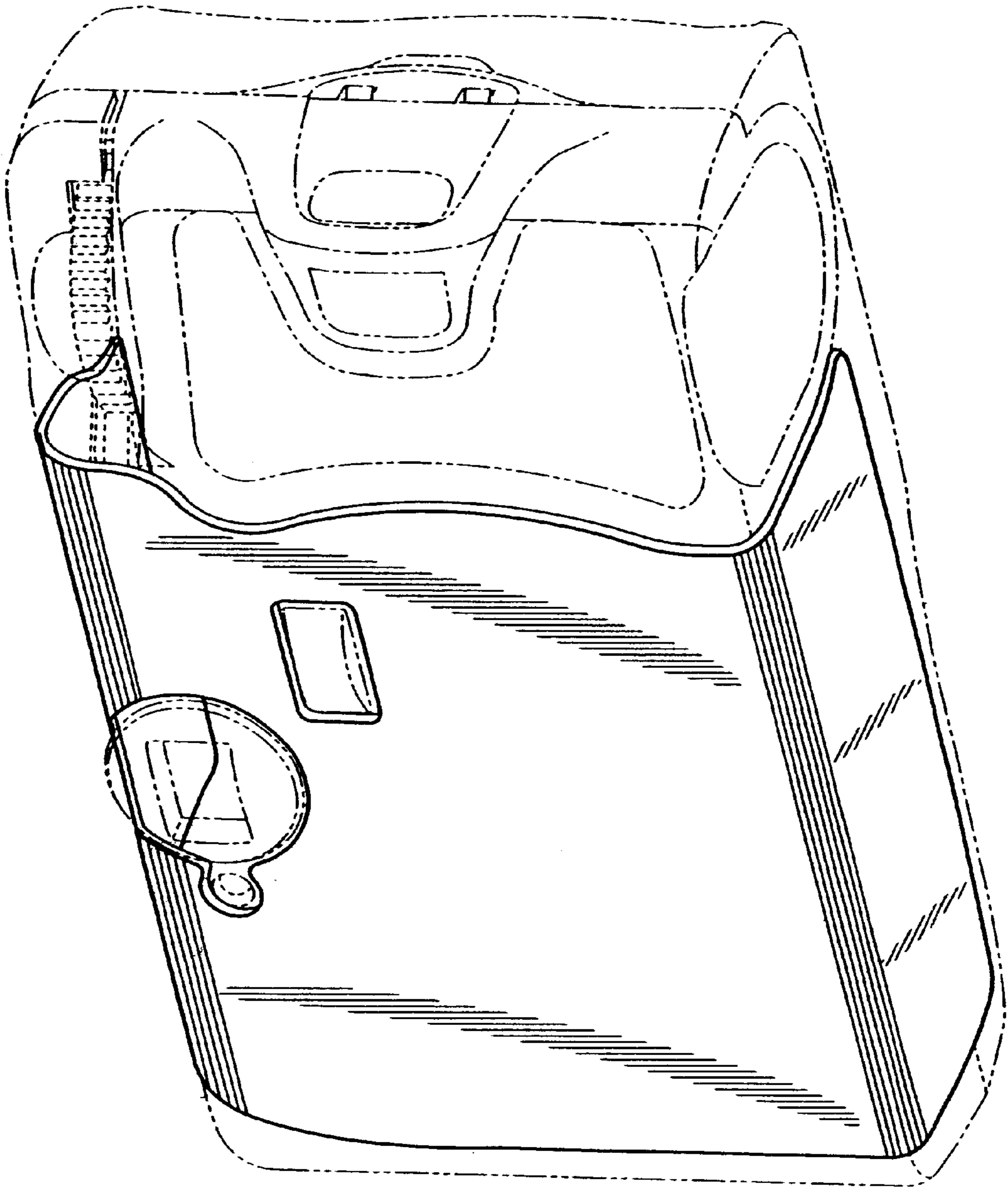


FIG. 6