



US00D466910S

(12) **United States Design Patent**
Miller et al.

(10) **Patent No.:** **US D466,910 S**
(45) **Date of Patent:** **** Dec. 10, 2002**

(54) **SKID LOADER**

(75) Inventors: **Christopher S. Miller**, Hamilton, OH (US); **Derek J. Hartwell**, Hamilton, OH (US); **Jeffrey T. Stanley**, Hamilton, OH (US)

(73) Assignee: **Finn Corporation**, Fairfield, OH (US)

(**) Term: **14 Years**

(21) Appl. No.: **29/162,850**

(22) Filed: **Jun. 21, 2002**

Related U.S. Application Data

(62) Division of application No. 29/133,943, filed on Dec. 11, 2000.

(51) **LOC (7) Cl.** **15-03**

(52) **U.S. Cl.** **D15/22**

(58) **Field of Search** D15/22-26, 28, D15/30, 31, 33; 180/89.1, 89.12, 900; 37/421, 442; 414/680, 685, 743

(56) **References Cited**

U.S. PATENT DOCUMENTS

2,114,156 A	4/1938	Towson
2,178,370 A	10/1939	Dunham
D141,271 S	5/1945	Williams
D141,272 S	5/1945	Williams
D144,738 S	5/1946	Simmonds
D155,815 S	11/1949	Lessmann
D157,452 S	2/1950	Wagner
D163,884 S	7/1951	Mandt
D164,895 S	10/1951	Beyerstedt
D165,320 S	12/1951	Beyerstedt
D172,069 S	4/1954	Wagner
D175,391 S	8/1955	Burrus et al.
D184,598 S	3/1959	Beyerstedt
2,885,016 A	5/1959	Ayers
D191,506 S	10/1961	Keller
D193,503 S	9/1962	Ashley, Jr. et al.
D194,663 S	2/1963	Brown

D195,254 S	5/1963	Keller et al.
D201,126 S	5/1965	Kromer
3,235,035 A	2/1966	Weaver, Jr.
D205,485 S	8/1966	Juhl et al.
3,279,637 A	10/1966	Olson et al.
3,388,821 A	6/1968	White, Jr.
D217,661 S	5/1970	McCawley
3,635,365 A	1/1972	Bauer
D224,588 S	8/1972	Bauer
D231,482 S	4/1974	Bauer
3,866,700 A	2/1975	Bauer
3,963,131 A	6/1976	Dimmer
D240,757 S	7/1976	Henderson et al.
D243,266 S	2/1977	Breneman
4,030,560 A	6/1977	Parquet et al.
4,074,782 A	2/1978	Bauer
D247,814 S	5/1978	Johnson et al.

(List continued on next page.)

Primary Examiner—Mitchell Siegel

(74) *Attorney, Agent, or Firm*—Dinsmore & Shohl LLP

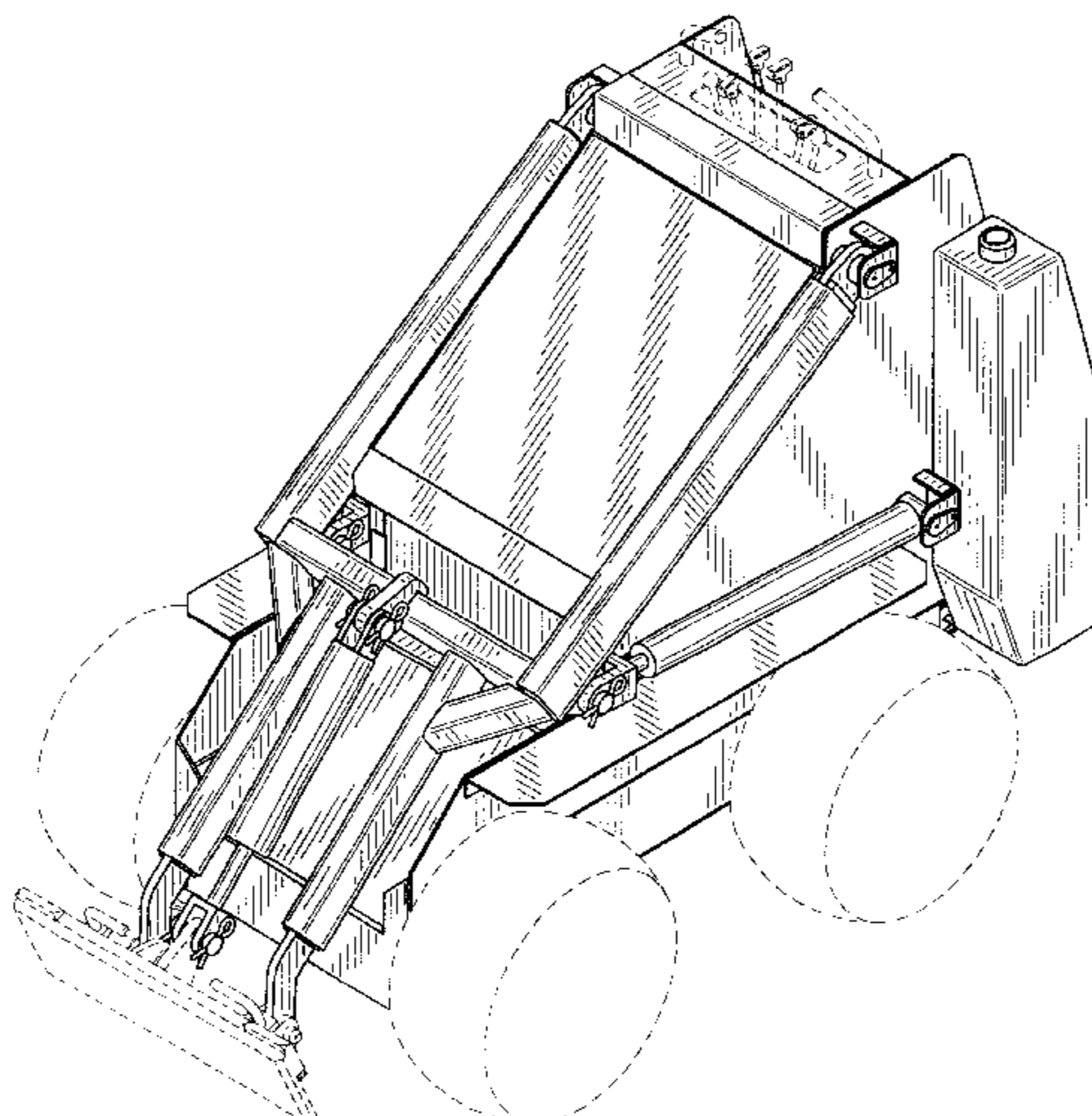
(57) **CLAIM**

The ornamental design for a skid loader, as shown and described.

DESCRIPTION

FIG. 1 is a front perspective view of the skid loader, with the lifting arm in the lowered position;
 FIG. 2 is a front perspective view of the skid loader of FIG. 1, with the lifting arm in the raised position;
 FIG. 3 is a left side elevational view of the skid loader of FIG. 1;
 FIG. 4 is a right side elevational view of the skid loader of FIG. 1;
 FIG. 5 is a front elevational view of the skid loader of FIG. 1;
 FIG. 6 is a rear elevational view of the skid loader of FIG. 1;
 FIG. 7 is a top plan view of the skid loader of FIG. 1; and,
 FIG. 8 is a rear perspective view of the skid loader of FIG. 1.

1 Claim, 8 Drawing Sheets



US D466,910 S

Page 2

U.S. PATENT DOCUMENTS

D251,088 S	2/1979	Johnson et al.	D322,792 S	12/1991	Park
D255,696 S	7/1980	Fratarcangeli	D358,157 S	5/1995	Kusunoki et al.
D259,631 S	6/1981	Ramacciotti	D359,497 S	6/1995	Rayner
4,287,966 A	9/1981	Frees	D361,576 S	8/1995	Matsubara et al.
D271,397 S	11/1983	Kuhn et al.	D376,372 S	12/1996	Little et al.
D272,825 S	2/1984	Cochran et al.	5,590,731 A	1/1997	Jacobson
D272,826 S	2/1984	Cochran et al.	5,711,391 A	1/1998	Brandt et al.
D277,897 S	3/1985	Lindqvist	5,738,187 A	4/1998	Dammeyer et al.
D294,032 S	2/1988	Whiffin	D405,807 S	2/1999	Amy et al.
D295,417 S	4/1988	Sagaser et al.	D407,418 S	3/1999	Miller et al.
D297,539 S	9/1988	Morita et al.	5,890,562 A	4/1999	Bartels et al.
4,919,233 A	4/1990	Larsen et al.	5,918,693 A	7/1999	Mantovani et al.
4,949,805 A	8/1990	Mather et al.	D431,574 S	10/2000	Porter
D314,389 S	2/1991	Lynnes et al.	D438,218 S	2/2001	McIlwraith
D317,926 S	7/1991	Lynnes et al.	6,182,778 B1	2/2001	Henshaw et al.
			6,241,047 B1	6/2001	Gilliland et al.

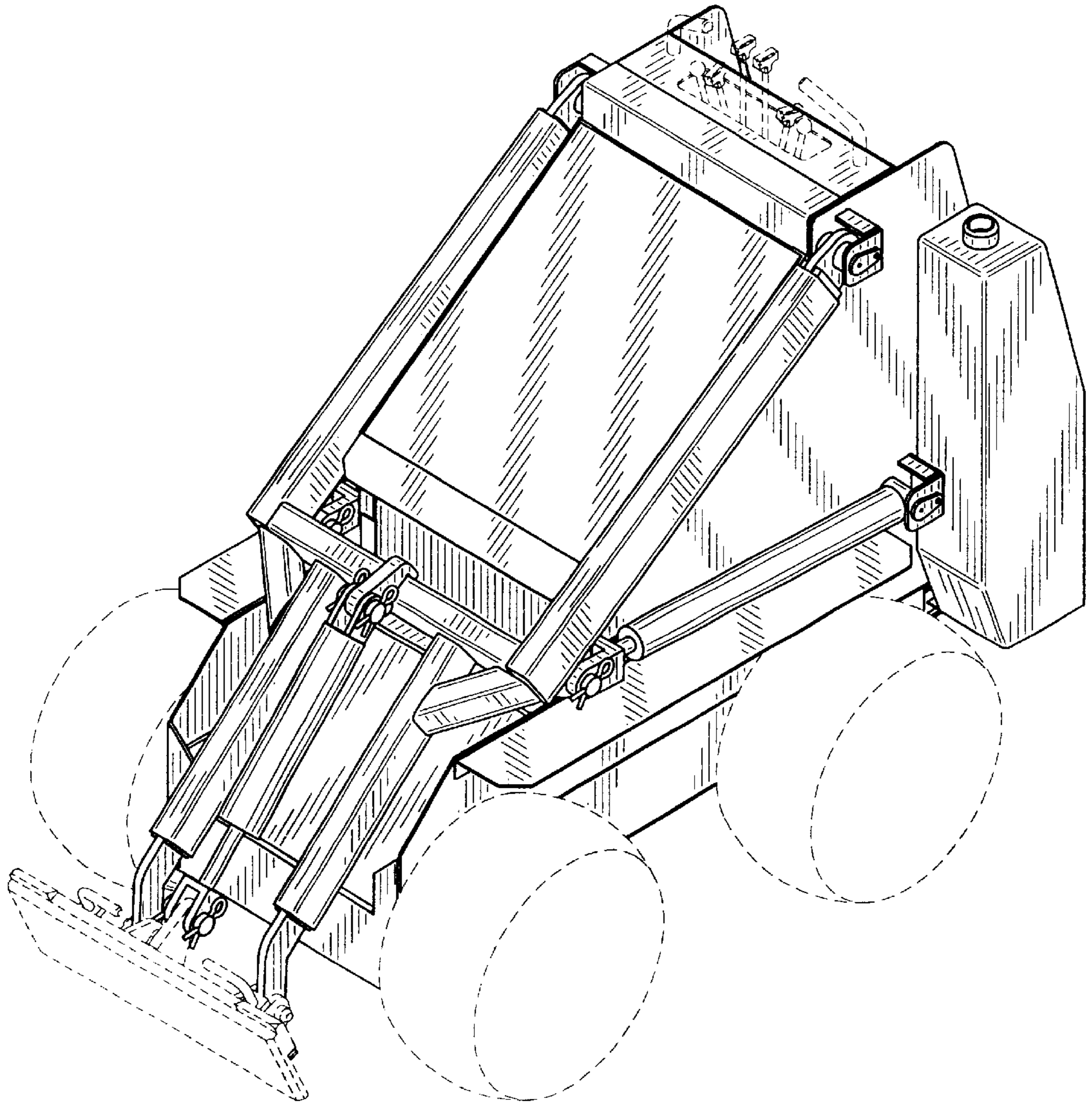


FIG. 1

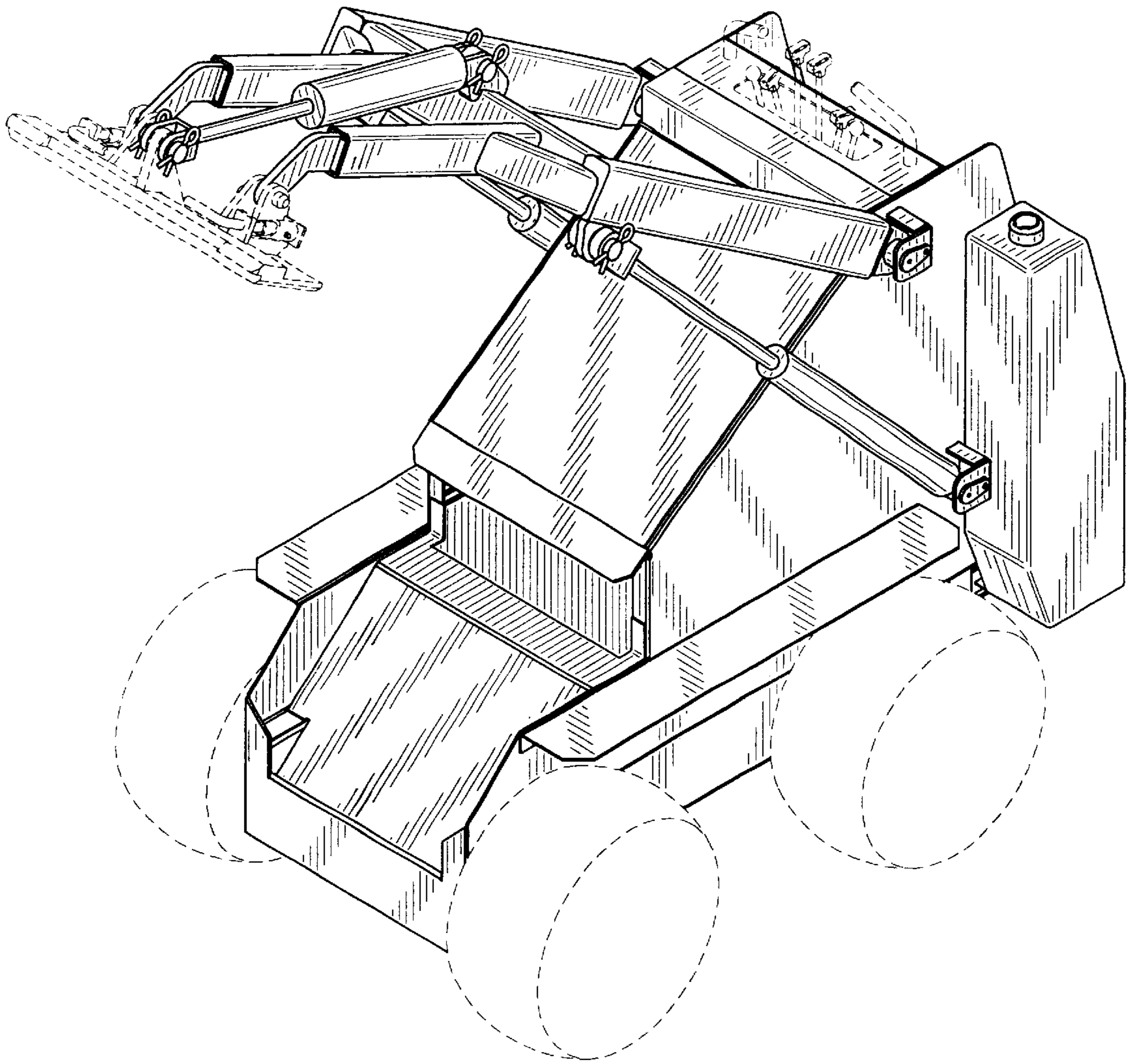


FIG. 2

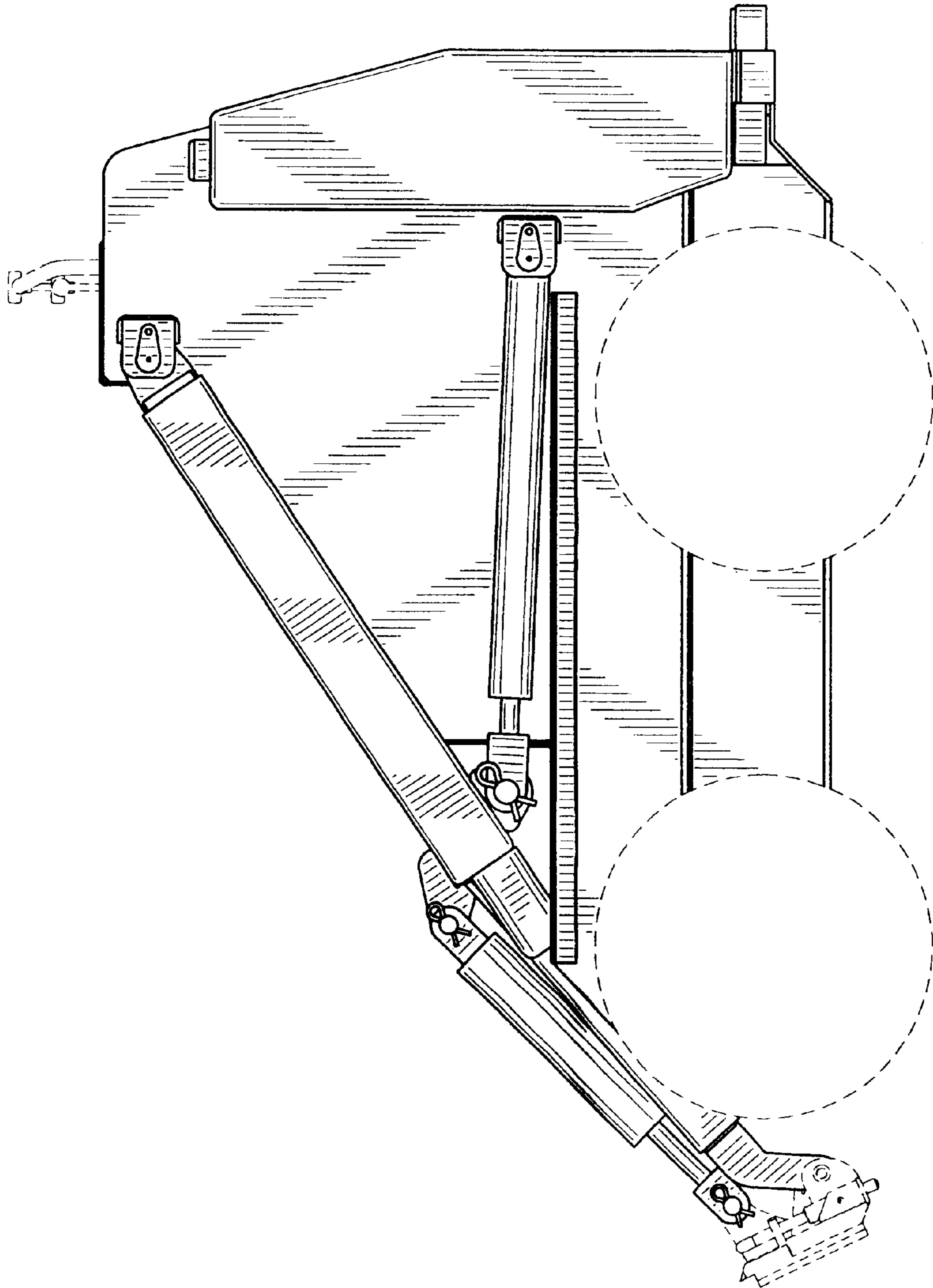


FIG. 3

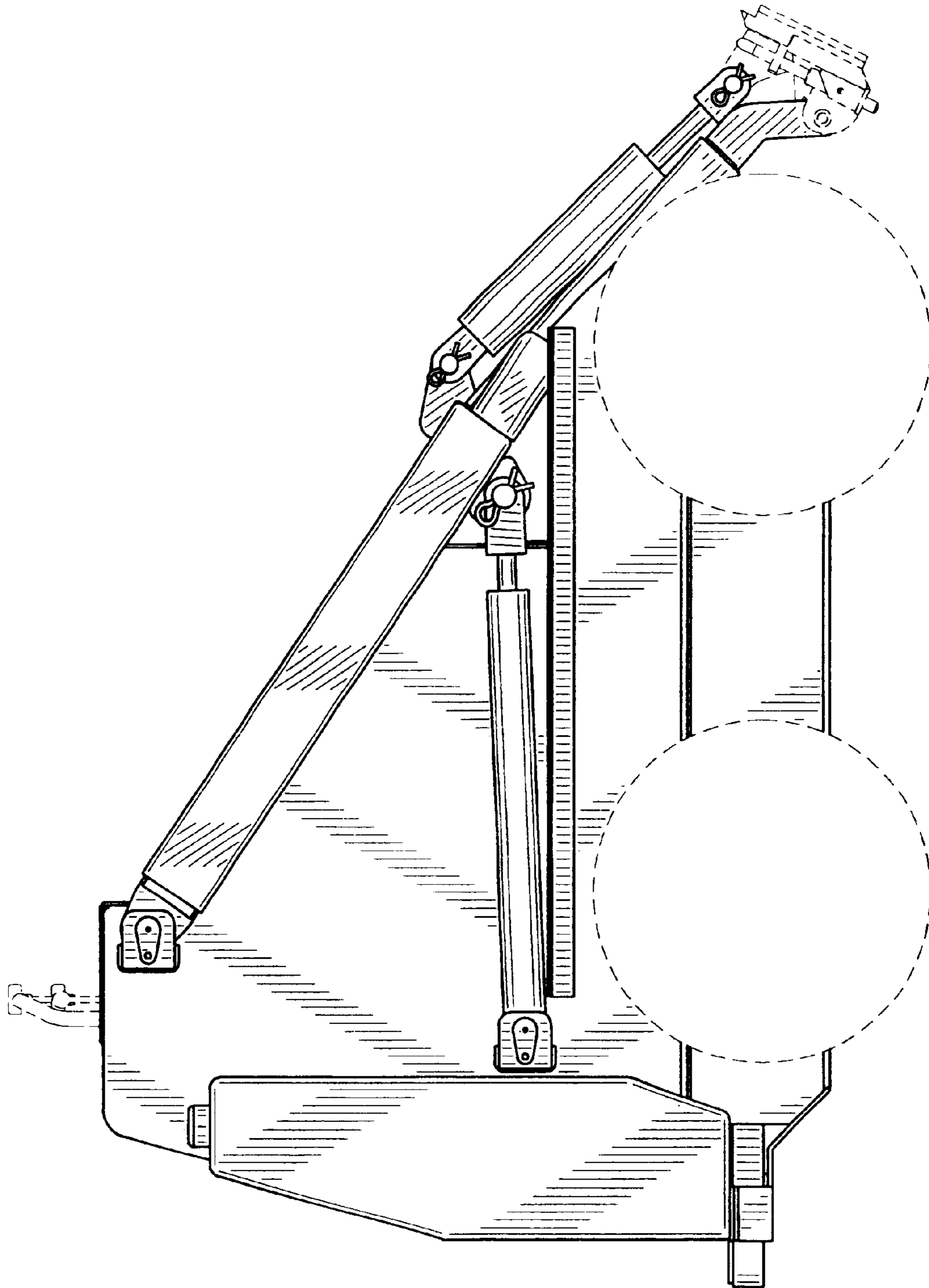


FIG. 4

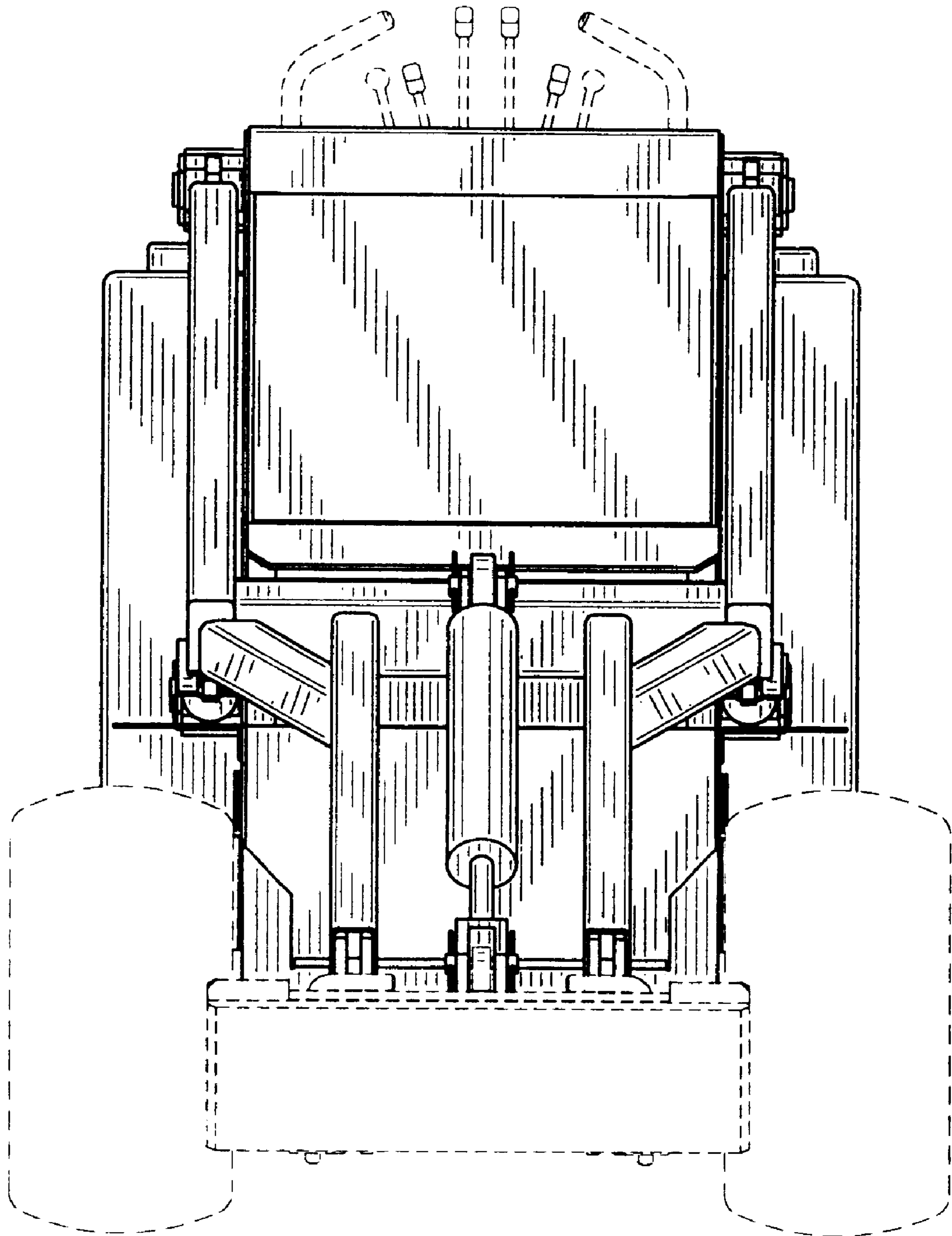


FIG. 5

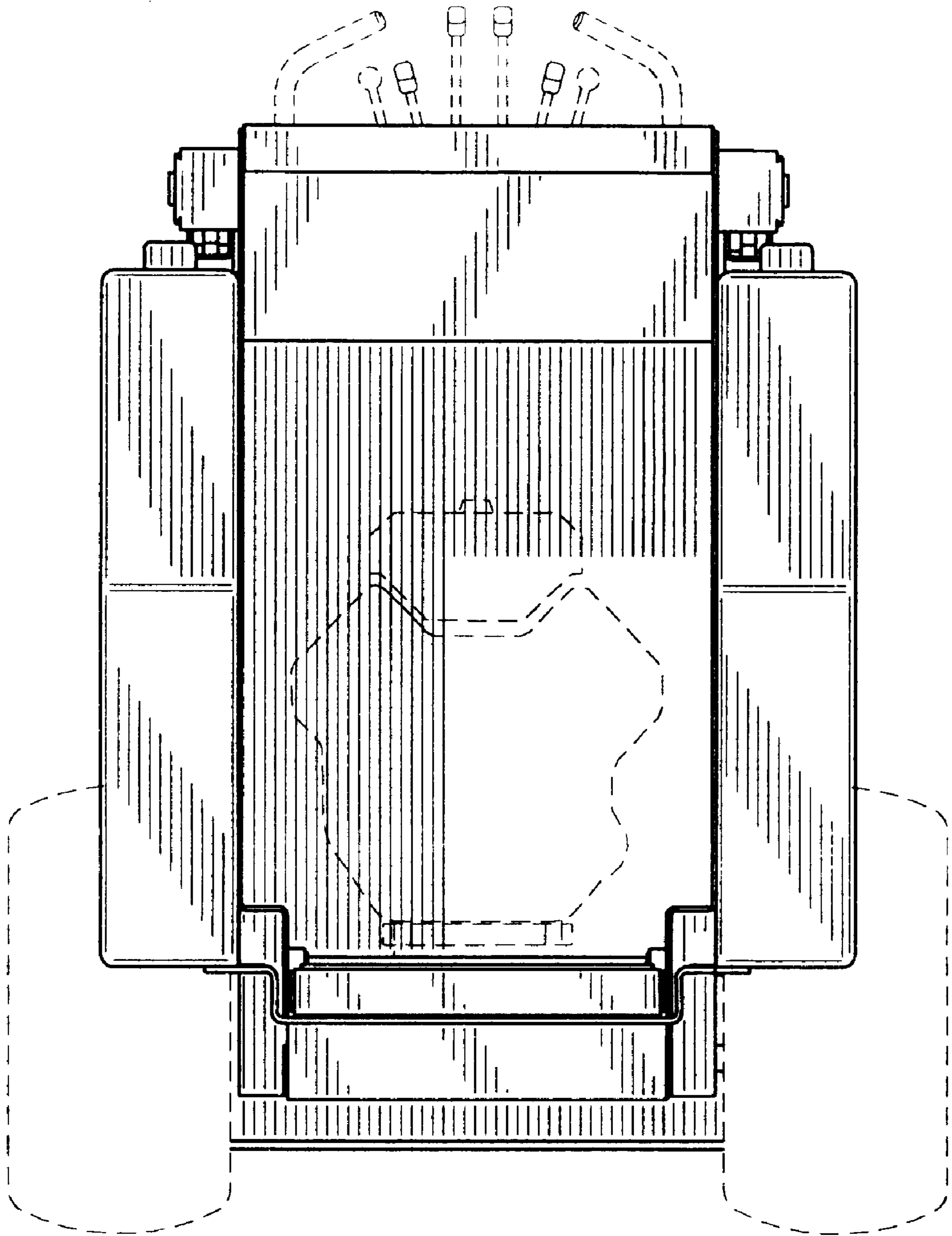


FIG. 6

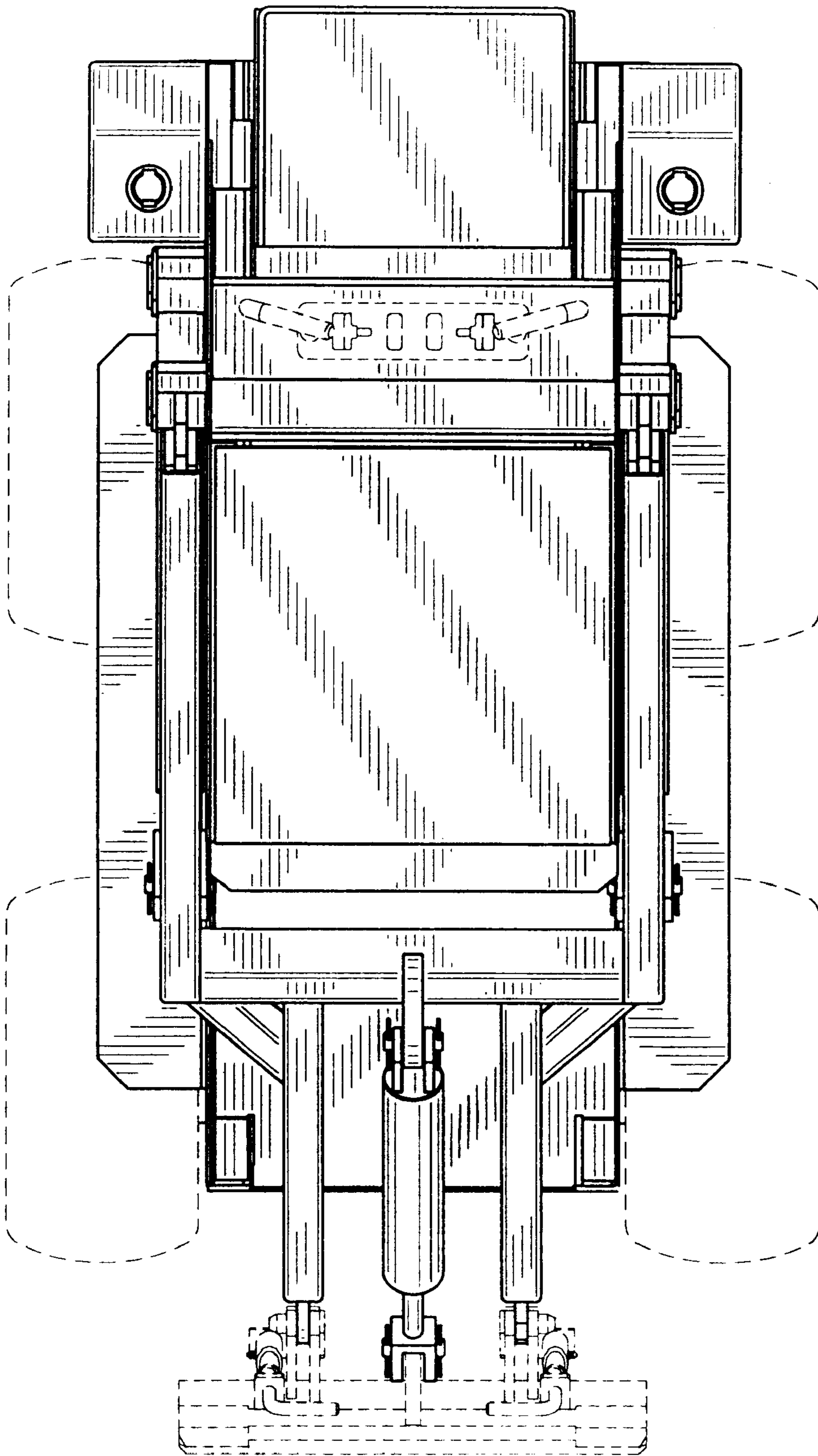


FIG. 7

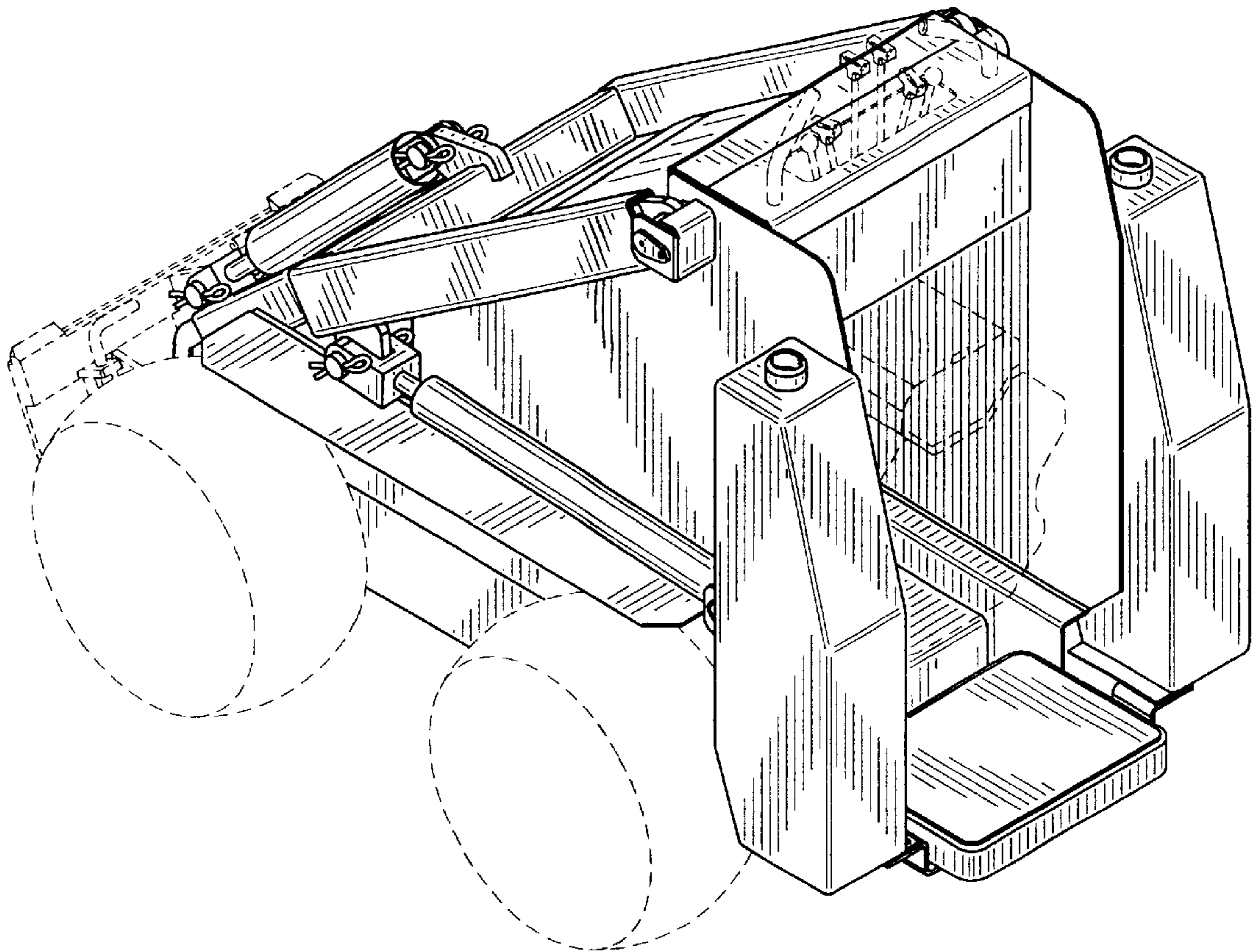


FIG. 8