

US00D466909S

(12) **United States Design Patent**
Allen et al.

(10) **Patent No.:** **US D466,909 S**
(45) **Date of Patent:** **** Dec. 10, 2002**

(54) **RIDING TROWEL HAVING EDGE GUARDS WITH SAFETY COVERS**

(75) Inventors: **J. Dewayne Allen**, Paragould, AR (US);
Timmy D. Guinn, Paragould, AR (US)

(73) Assignee: **Allen Engineering Corporation**,
Paragould, AR (US)

(**) Term: **14 Years**

(21) Appl. No.: **29/153,535**

(22) Filed: **Jan. 11, 2002**

(51) **LOC (7) Cl.** **15-03**

(52) **U.S. Cl.** **D15/10**

(58) **Field of Search** D15/10; 404/112,
404/96, 85, 118, 126

(56) **References Cited**

U.S. PATENT DOCUMENTS

D323,510	S	*	1/1992	Allen et al.	D15/10
5,108,220	A	*	4/1992	Allen et al.	404/112
5,238,323	A	*	8/1993	Allen et al.	404/112
5,480,257	A	*	1/1996	Allen	404/112
5,658,089	A	*	8/1997	Allen	404/112
5,803,658	A	*	9/1998	Allen	404/112
5,816,740	A	*	10/1998	Jaskowiak	404/112
D400,542	S	*	11/1998	Allen	D15/10

D400,544	S		11/1998	Allen		
D404,041	S		1/1999	Allen		
5,890,833	A		4/1999	Allen		
D413,127	S		8/1999	Allen		
D416,564	S		11/1999	Allen		
5,988,938	A		11/1999	Allen		
6,019,545	A		2/2000	Allen		
6,053,660	A	*	4/2000	Allen et al.	404/112
6,106,193	A		8/2000	Allen		
D453,344	S	*	2/2002	Smith et al.	D15/10

* cited by examiner

Primary Examiner—Mitchell Siegel

(74) *Attorney, Agent, or Firm*—Stephen D. Carver

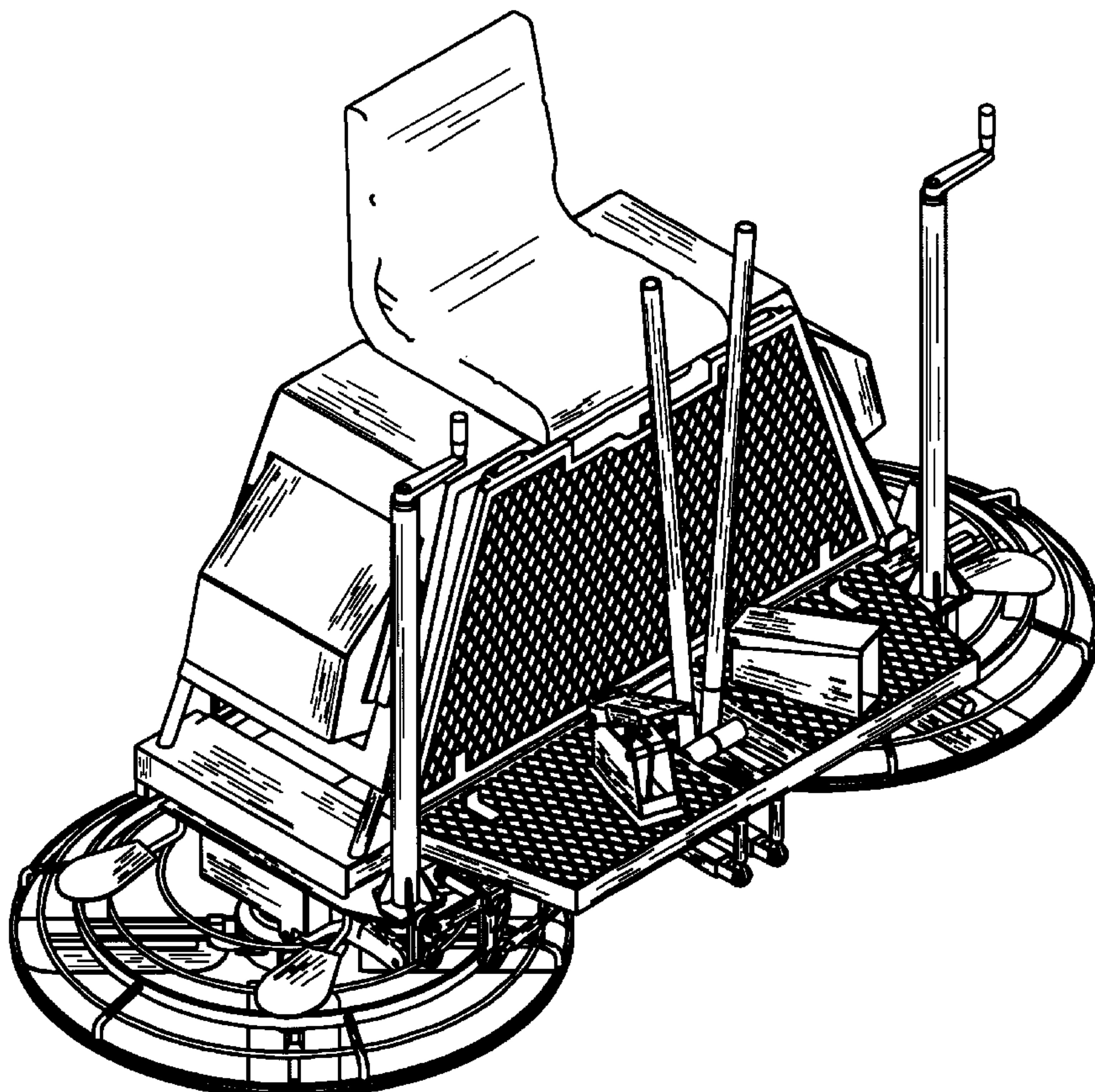
(57) **CLAIM**

The ornamental design for a riding trowel having edge guards with safety covers, as shown.

DESCRIPTION

FIG. 1 is a frontal isometric view of our new riding trowel having edge guards with safety covers;
FIG. 2 is a front plan view thereof;
FIG. 3 is a rear isometric view of thereof;
FIG. 4 is a top plan view thereof; and,
FIG. 5 is an enlarged, fragmentary isometric view of a typical rotor.

1 Claim, 5 Drawing Sheets



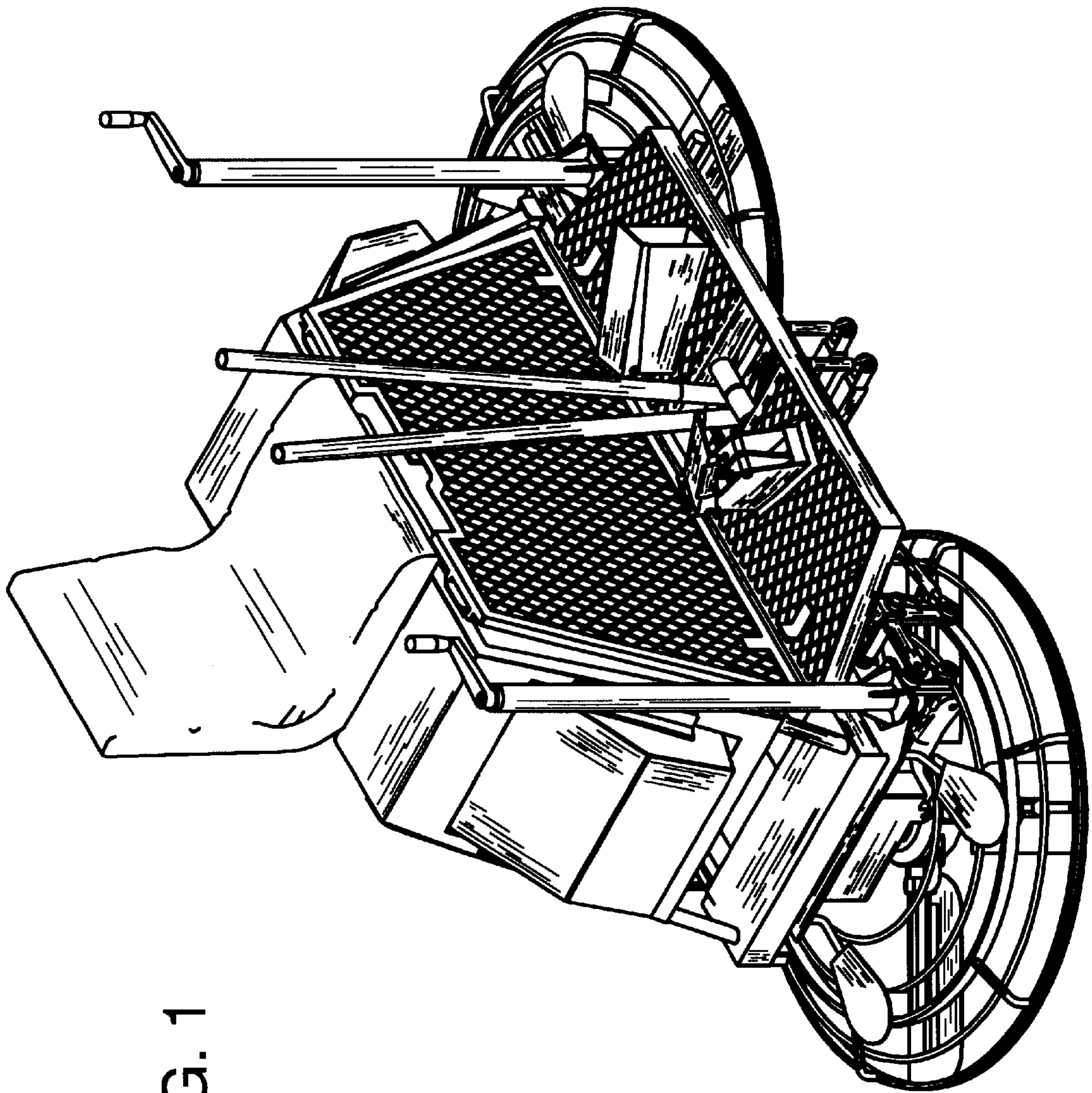


FIG. 1

FIG. 2

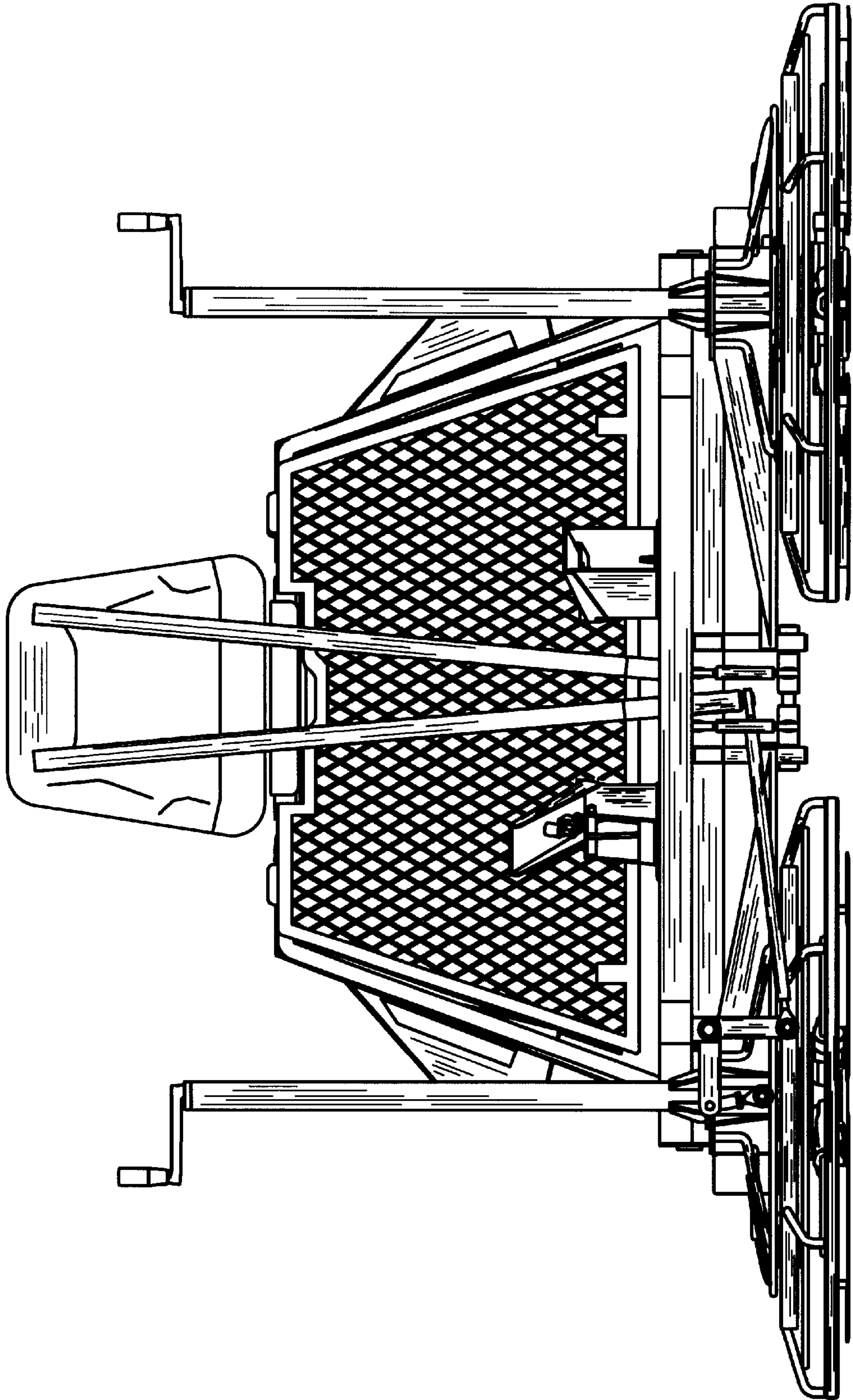
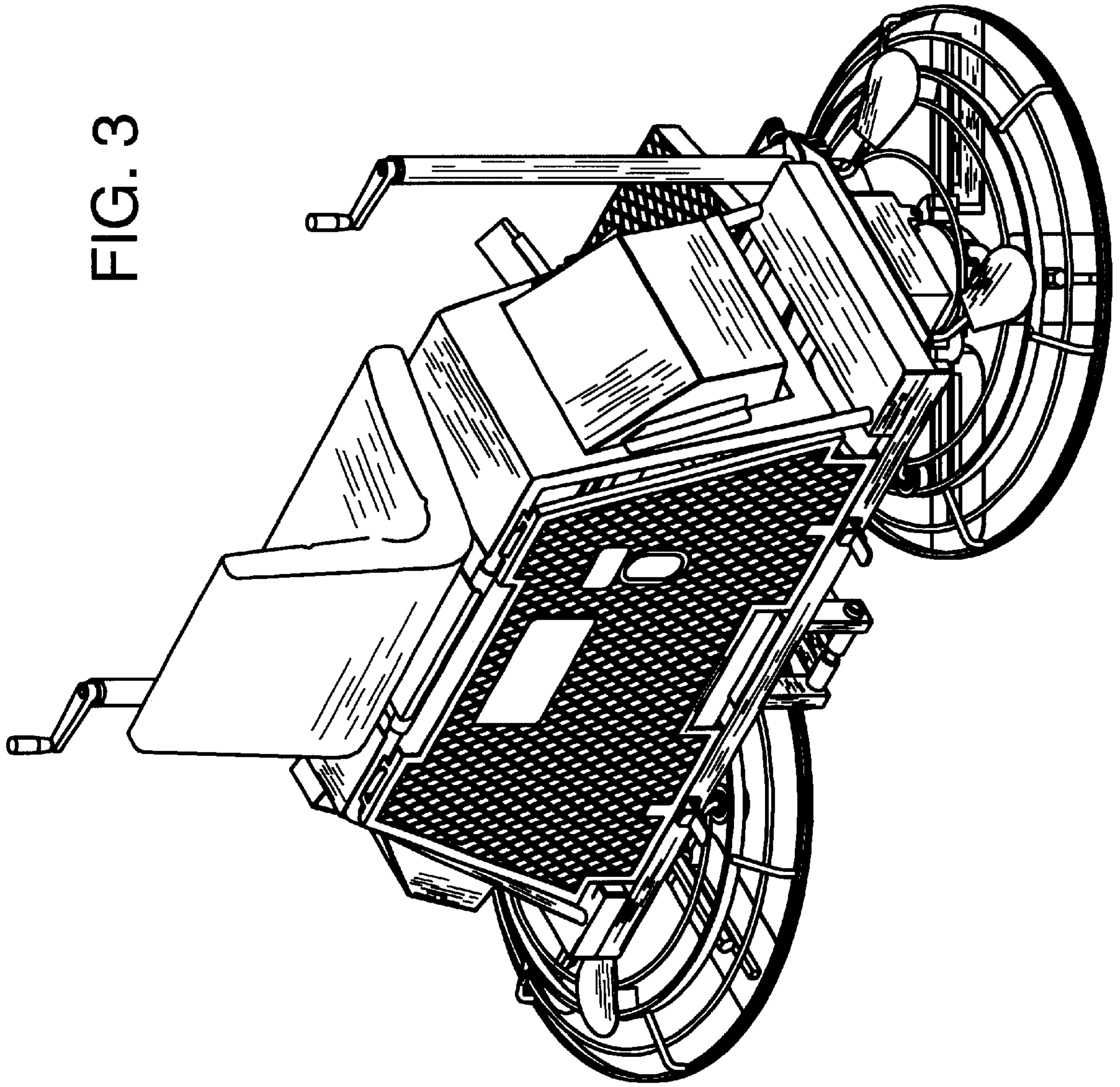


FIG. 3



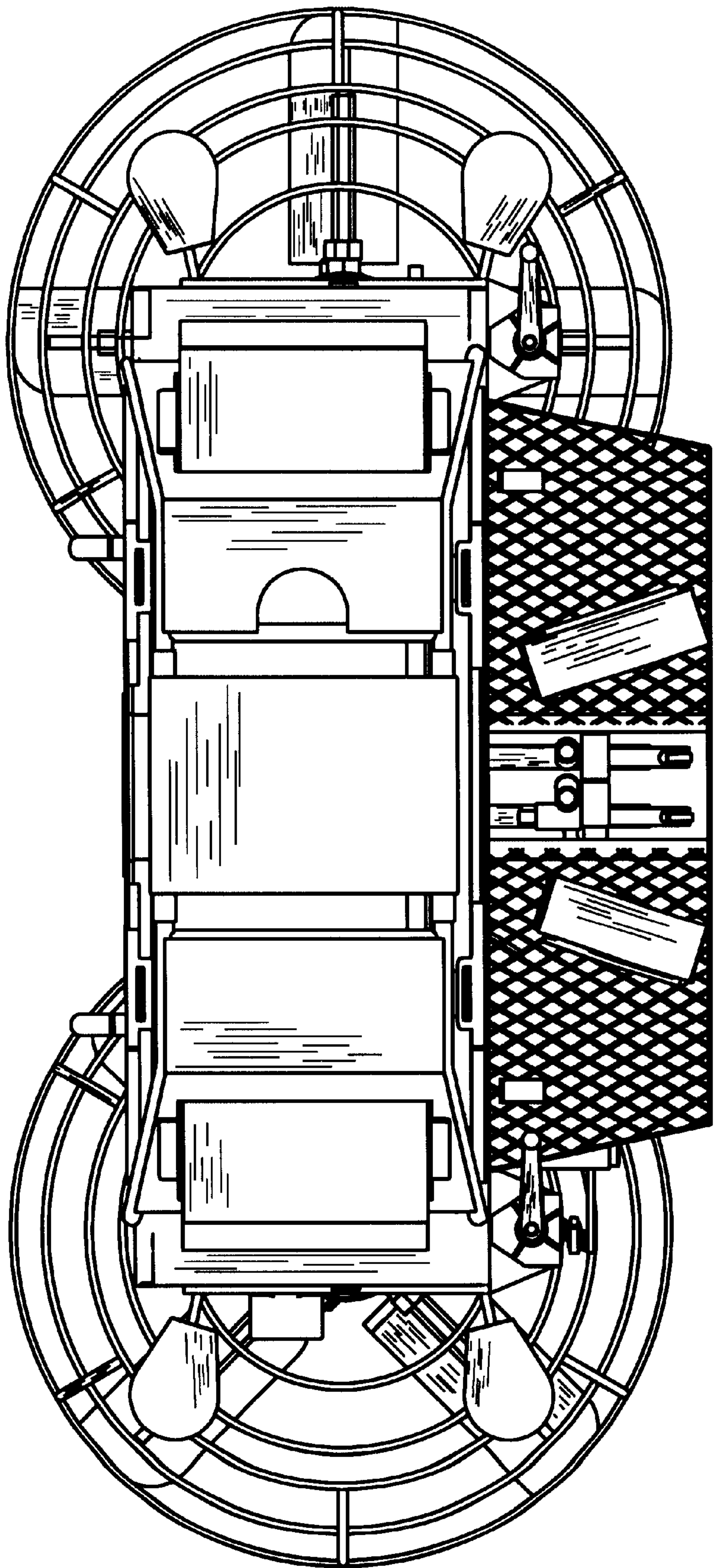


FIG. 4

FIG. 5

