



US00D466908S

(12) **United States Design Patent**  
**Poon**

(10) **Patent No.:** **US D466,908 S**

(45) **Date of Patent:** **\*\* Dec. 10, 2002**

(54) **RECHARGEABLE AIR PUMP**

(75) Inventor: **Tit Wing Poon**, Shatin, N.T. (CN)

(73) Assignee: **Flying Dragon Development Ltd.**,  
Shatin, N.T. (CN)

(\*\*) Term: **14 Years**

(21) Appl. No.: **29/153,351**

(22) Filed: **Oct. 24, 2001**

(30) **Foreign Application Priority Data**

May 21, 2001 (HK) ..... 0110751

(51) **LOC (7) Cl.** ..... **15-02**

(52) **U.S. Cl.** ..... **D15/7**

(58) **Field of Search** ..... D15/7-9; 417/410.4;  
152/449; 317/723

(56) **References Cited**

**U.S. PATENT DOCUMENTS**

D391,969 S	*	3/1998	Poon	.....	D15/7
D395,317 S	*	6/1998	Karlsson et al.	.....	D15/7
D422,602 S	*	4/2000	Poon	.....	D15/7
D453,524 S	*	2/2002	Wu	.....	D15/7

\* cited by examiner

*Primary Examiner*—Ralf Seifert

(74) *Attorney, Agent, or Firm*—Alix, Yale & Ristas, LLP

(57) **CLAIM**

The ornamental design for a rechargeable air pump, as shown and described.

**DESCRIPTION**

FIG. 1 is a front perspective view of the rechargeable air pump showing my new design;

FIG. 2 is a front view of the rechargeable air pump of FIG. 1;

FIG. 3 is a rear view of the rechargeable air pump of FIG. 1;

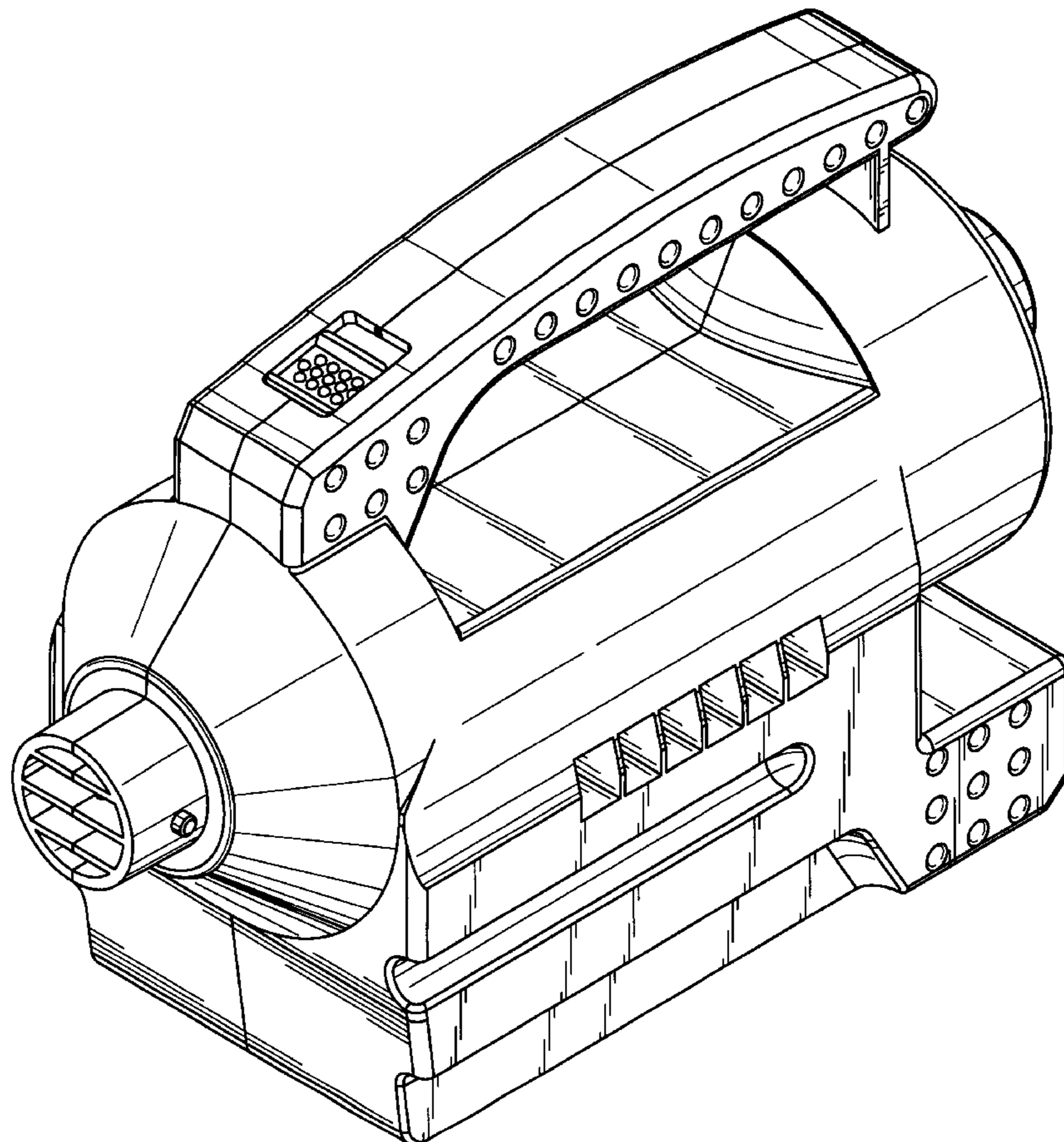
FIG. 4 is a left side view of the rechargeable air pump of FIG. 1;

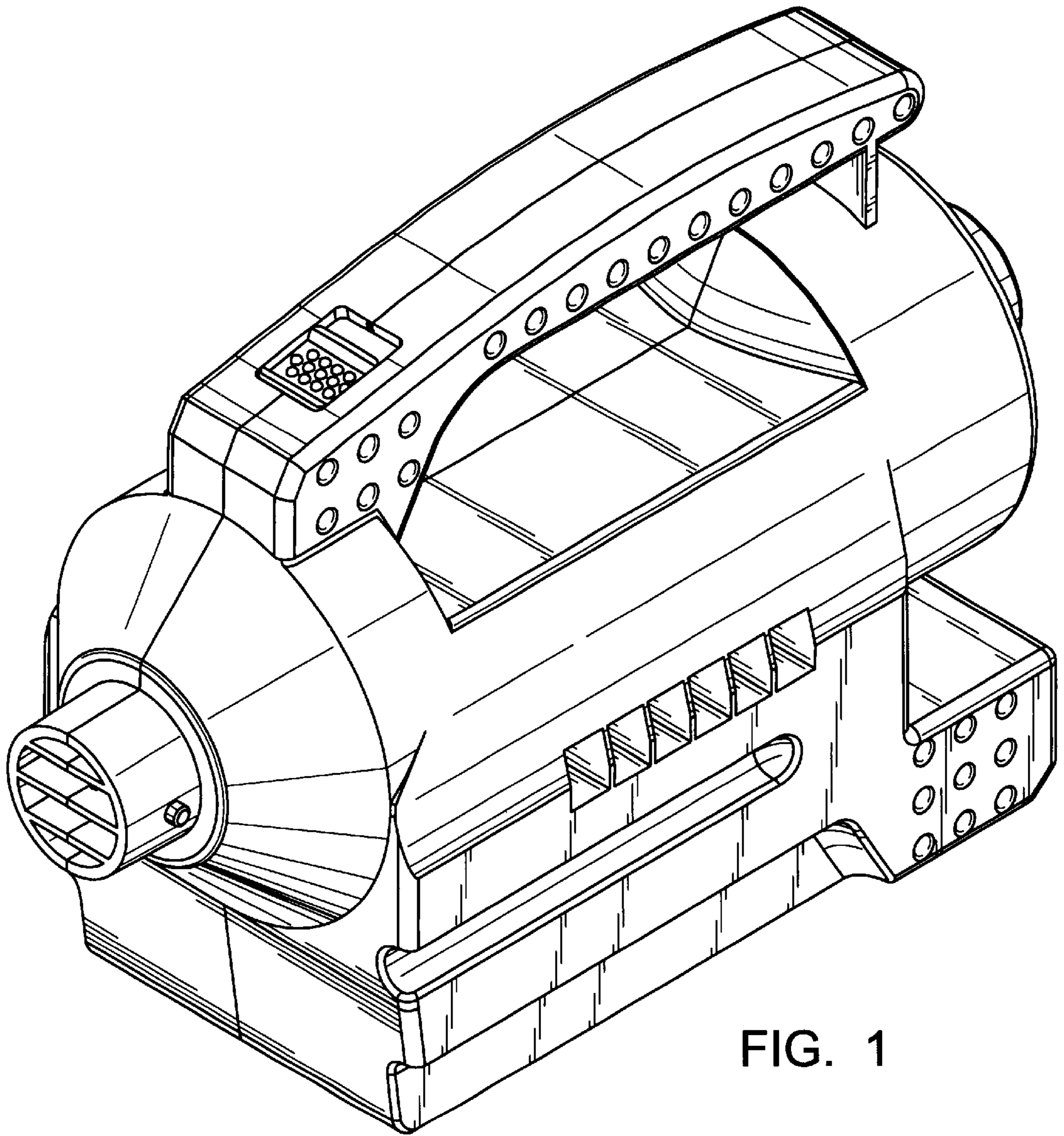
FIG. 5 is a right side view of the rechargeable air pump of FIG. 1;

FIG. 6 is a top plan view of the rechargeable air pump of FIG. 1; and,

FIG. 7 is a bottom plan view of the rechargeable air pump of FIG. 1.

**1 Claim, 4 Drawing Sheets**





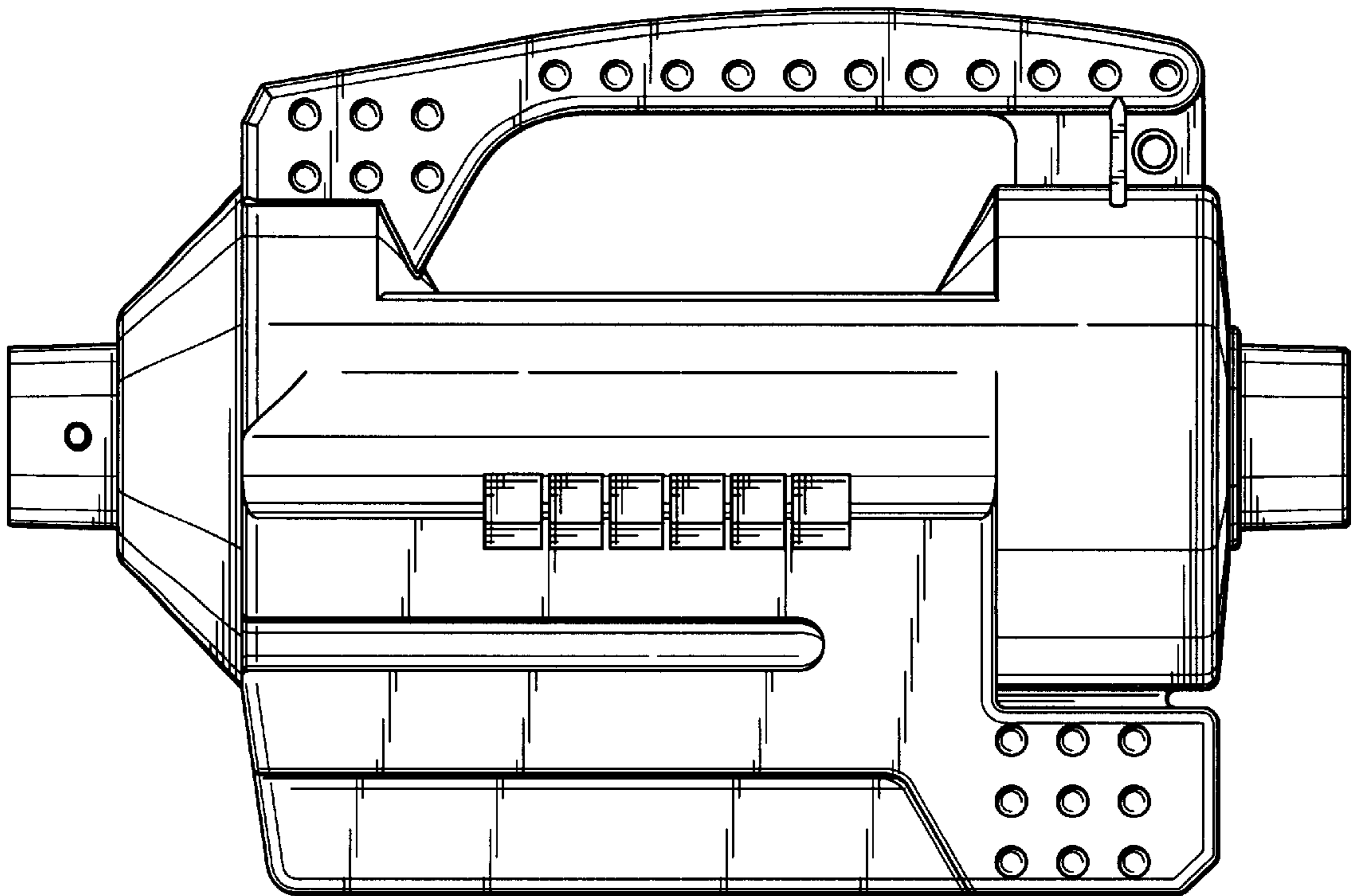


FIG. 2

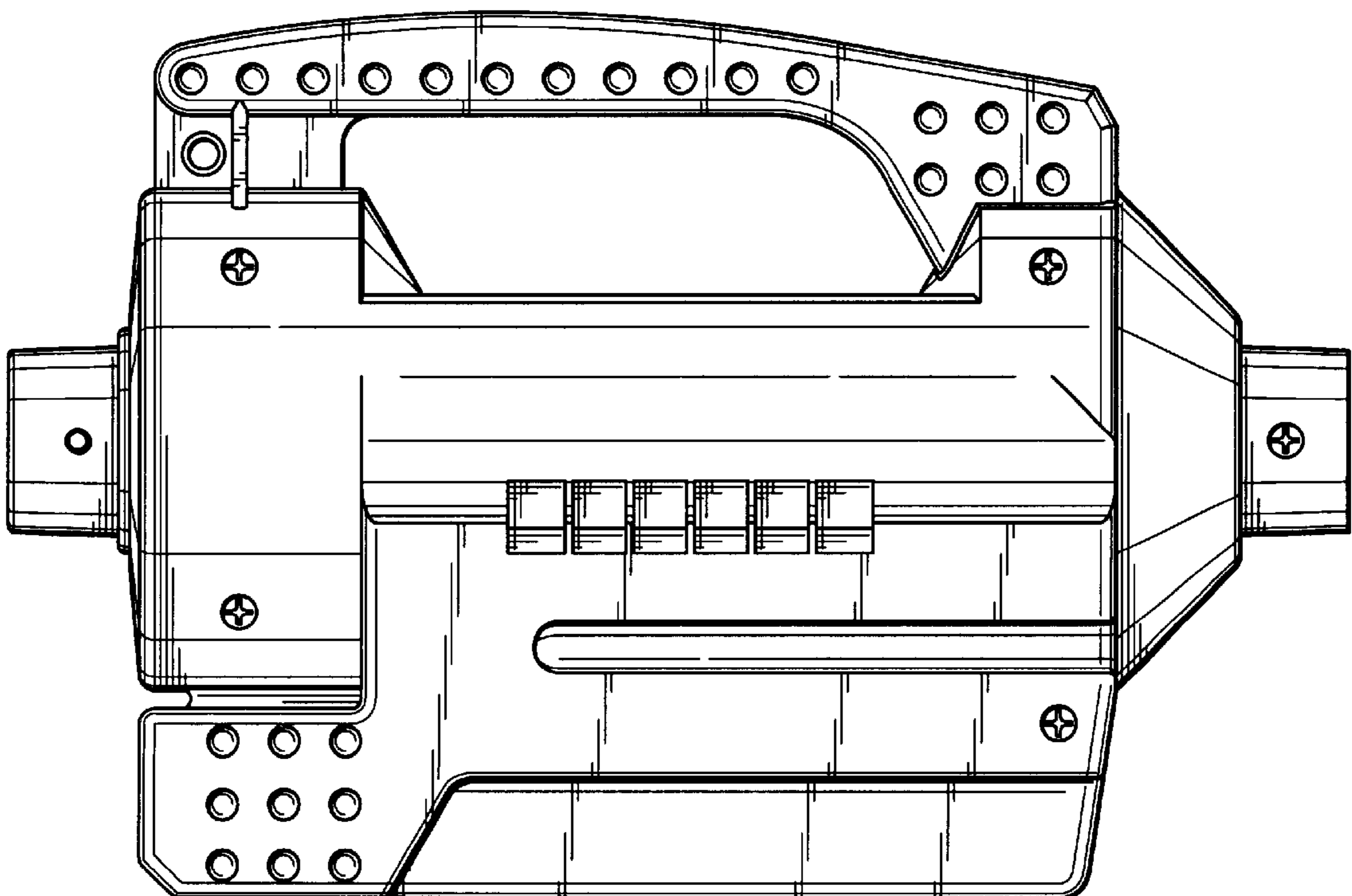


FIG. 3

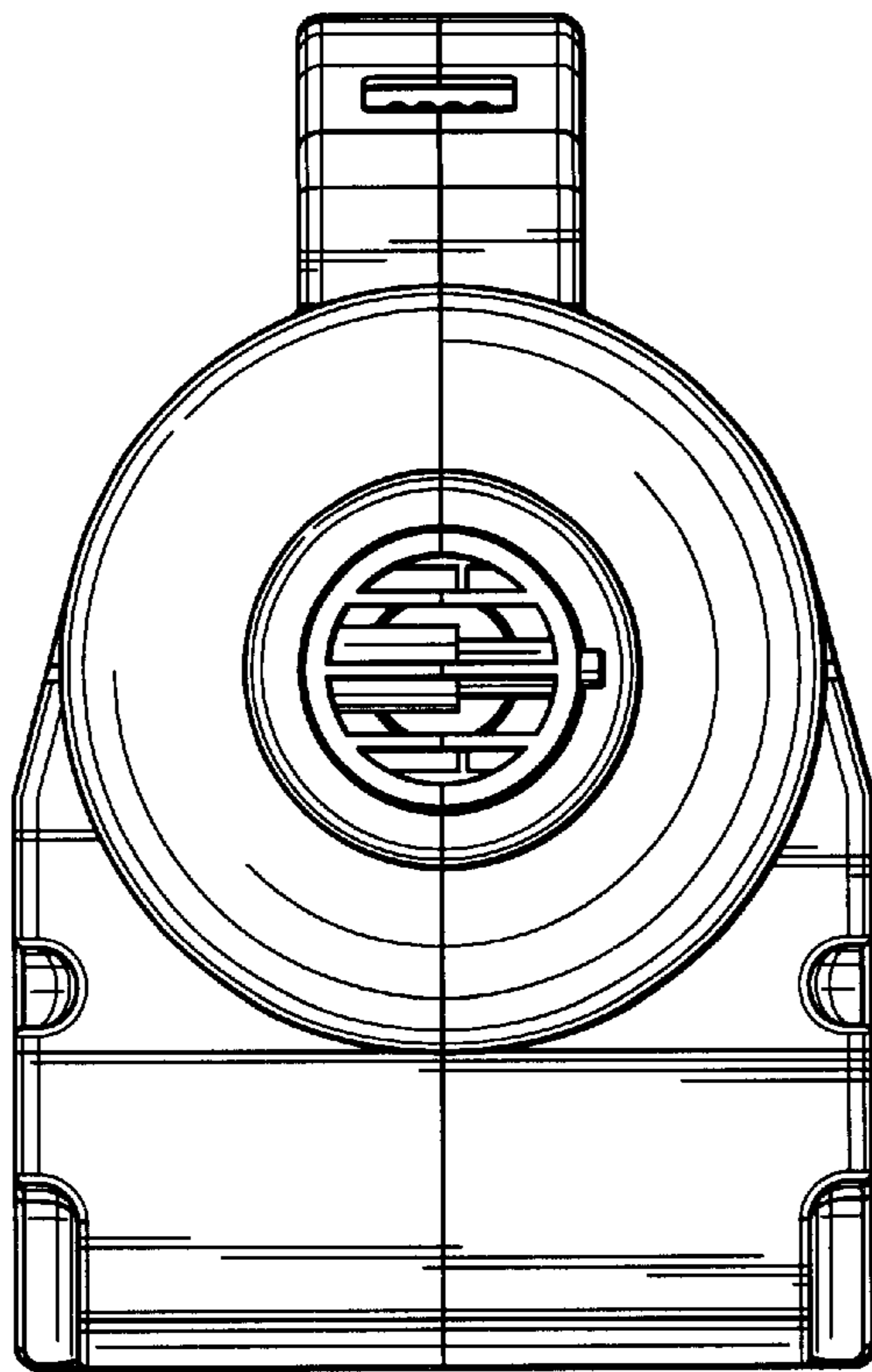


FIG. 4

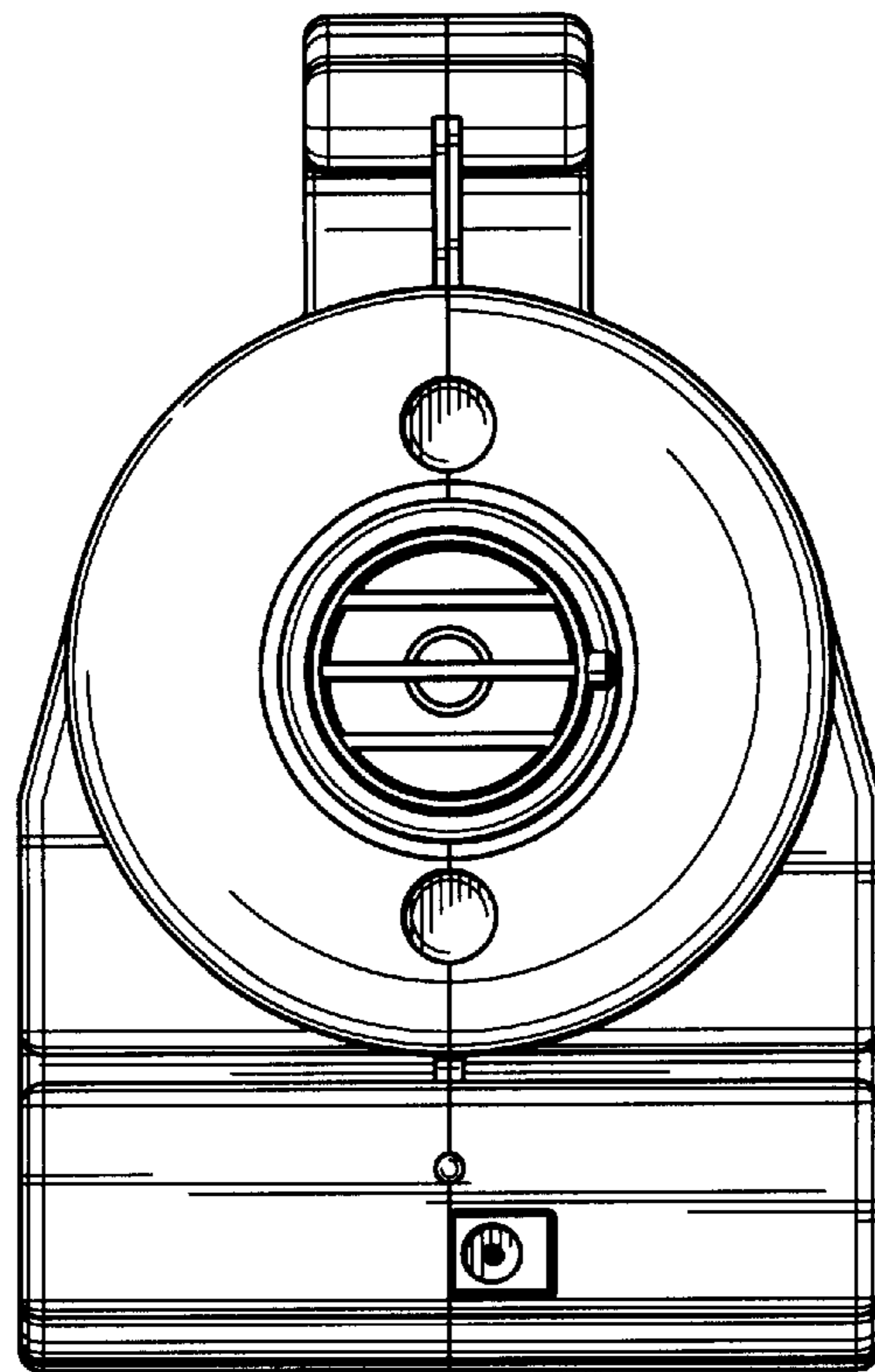


FIG. 5

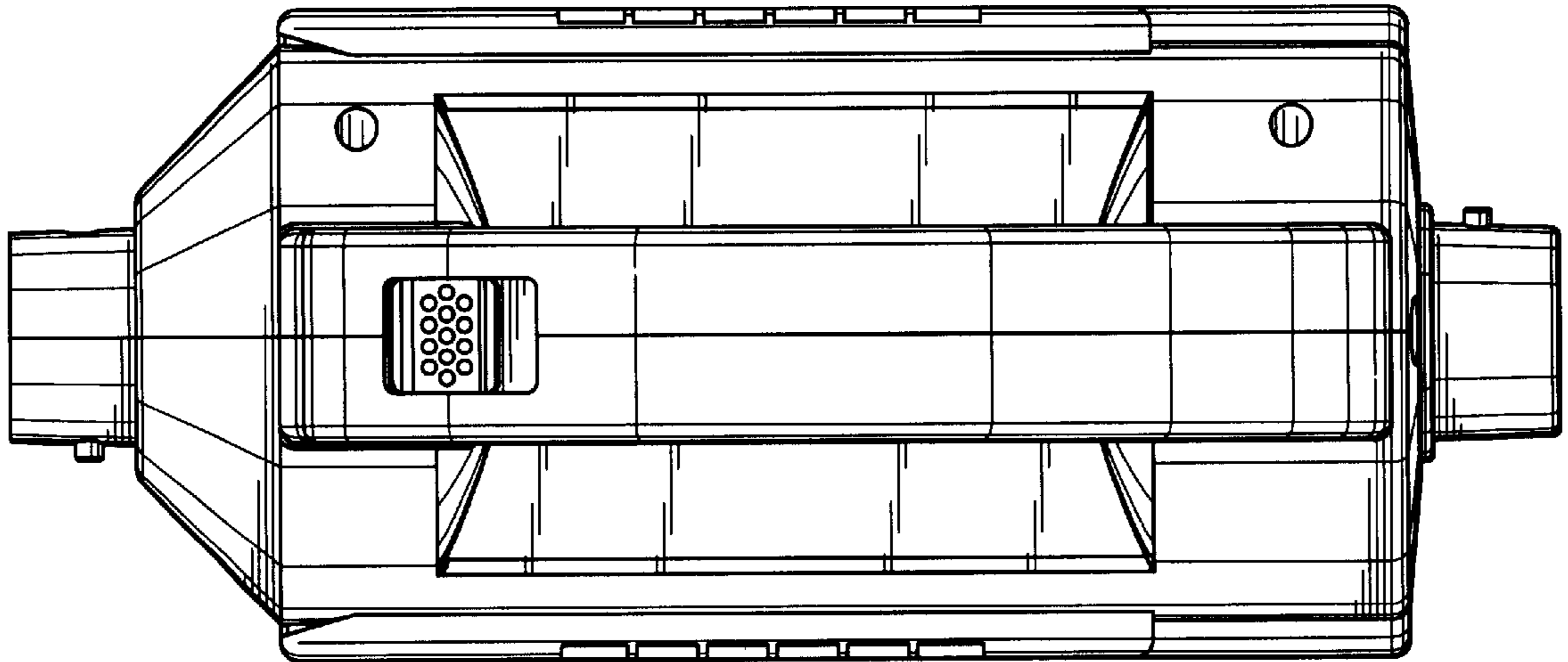


FIG. 6

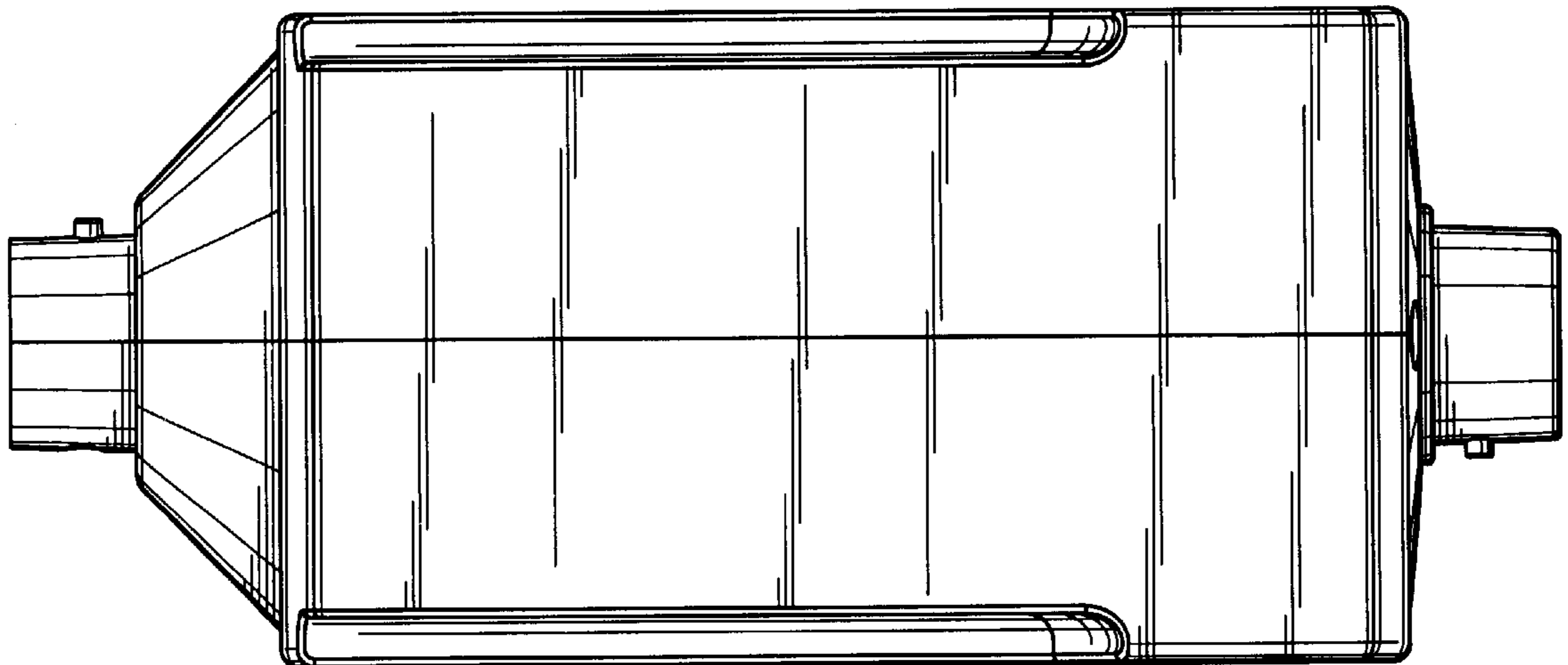


FIG. 7