



US00D466907S

(12) **United States Design Patent**  
**Ohsumi**

(10) **Patent No.:** **US D466,907 S**

(45) **Date of Patent:** **\*\* Dec. 10, 2002**

(54) **OUTBOARD MOTOR FOR BOATS**

D425,522 S \* 5/2000 Okamoto ..... D15/4  
D428,616 S \* 6/2000 Iekura ..... D15/4

(75) Inventor: **Masayuki Ohsumi, Wako (JP)**

**FOREIGN PATENT DOCUMENTS**

(73) Assignee: **Honda Giken Kogyo Kabushiki Kaisha, Tokyo (JP)**

JP 854521 8/1992  
JP 1020474 6/1998  
JP 1026867 9/1998

(\*\*) Term: **14 Years**

\* cited by examiner

(21) Appl. No.: **29/106,862**

*Primary Examiner*—Melody N. Brown

(22) Filed: **Jun. 24, 1999**

(74) *Attorney, Agent, or Firm*—Arent Fox Kinter Plotkin and Kahn

(30) **Foreign Application Priority Data**

Dec. 24, 1998 (JP) ..... 10-37529

(51) **LOC (7) Cl.** ..... **15-01**

(52) **U.S. Cl.** ..... **D15/4**

(58) **Field of Search** ..... D15/1-5; 440/3, 440/4, 6, 52, 53, 57, 61, 495, 900; 248/640, 643; 123/495

(57) **CLAIM**

The ornamental design for an outboard motor for boats, as shown and described.

(56) **References Cited**

**U.S. PATENT DOCUMENTS**

D359,290 S \* 6/1995 Takeuchi ..... D15/4  
D403,684 S \* 1/1999 Oishi ..... D15/4  
D412,911 S \* 8/1999 Iekura ..... D15/4  
D418,519 S \* 1/2000 Iekura ..... D15/4  
D422,599 S \* 4/2000 Iekura ..... D15/4

**DESCRIPTION**

FIG. 1 is a front view of an outboard motor for a boat showing my new design.

FIG. 2 is a rear view thereof.

FIG. 3 is a left side view thereof.

FIG. 4 is a right side view thereof.

FIG. 5 is a top view thereof.

FIG. 6 is a bottom view thereof; and,

FIG. 7 is a front-left side perspective view thereof.

**1 Claim, 4 Drawing Sheets**

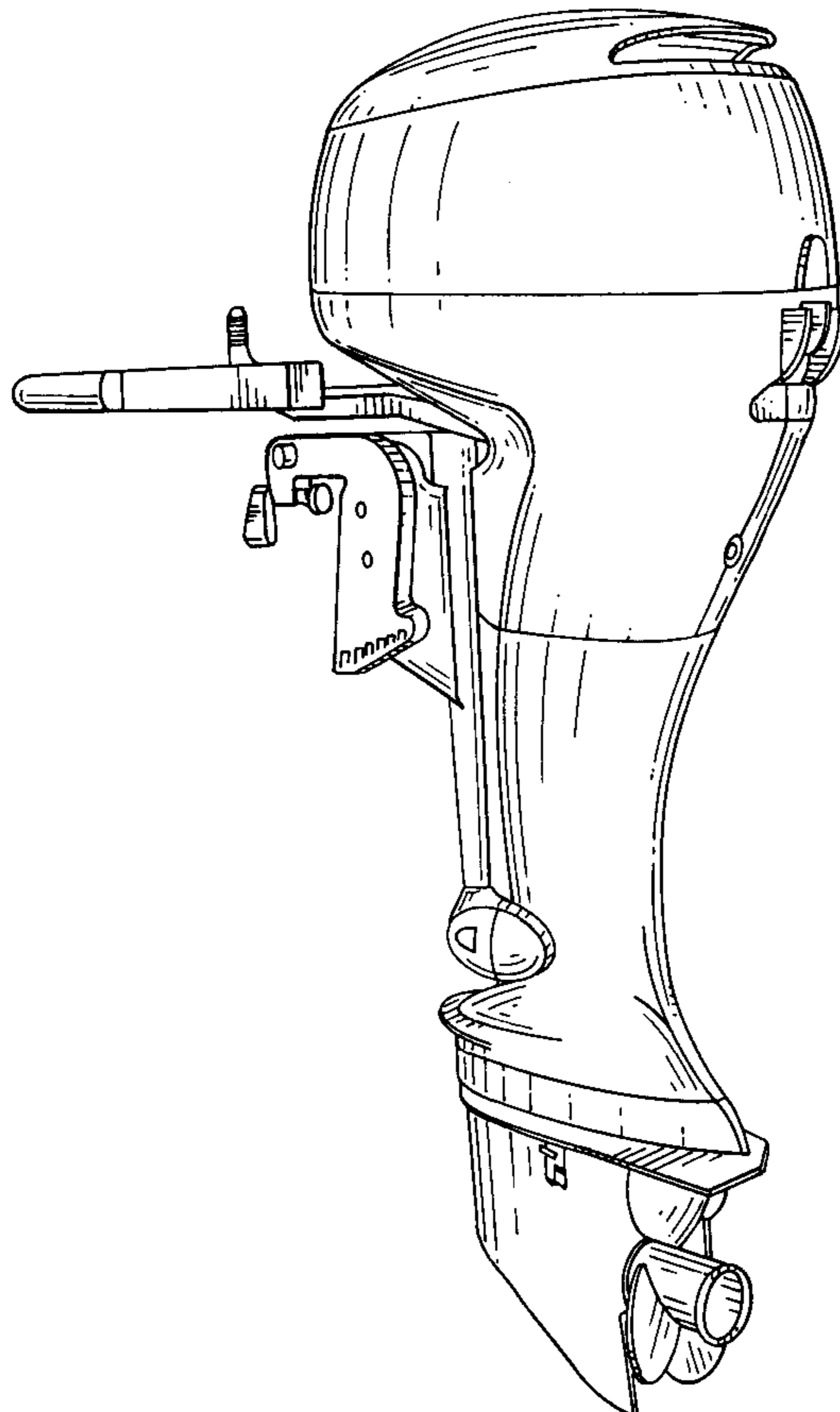


Fig. 2

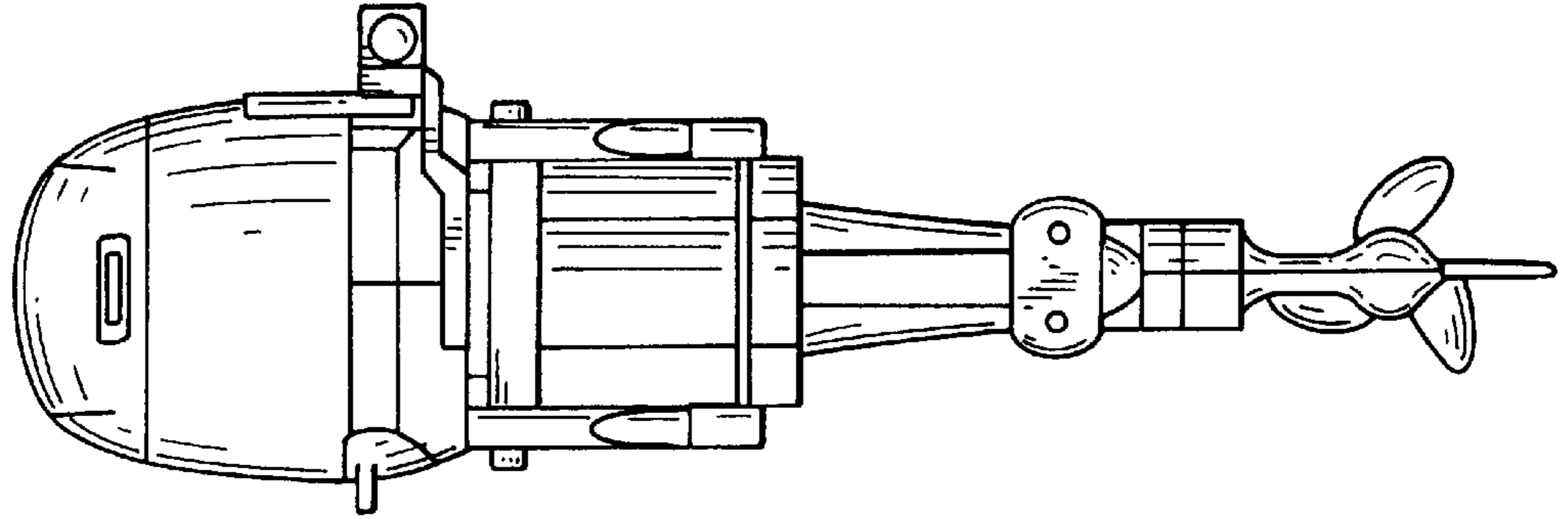


Fig. 1

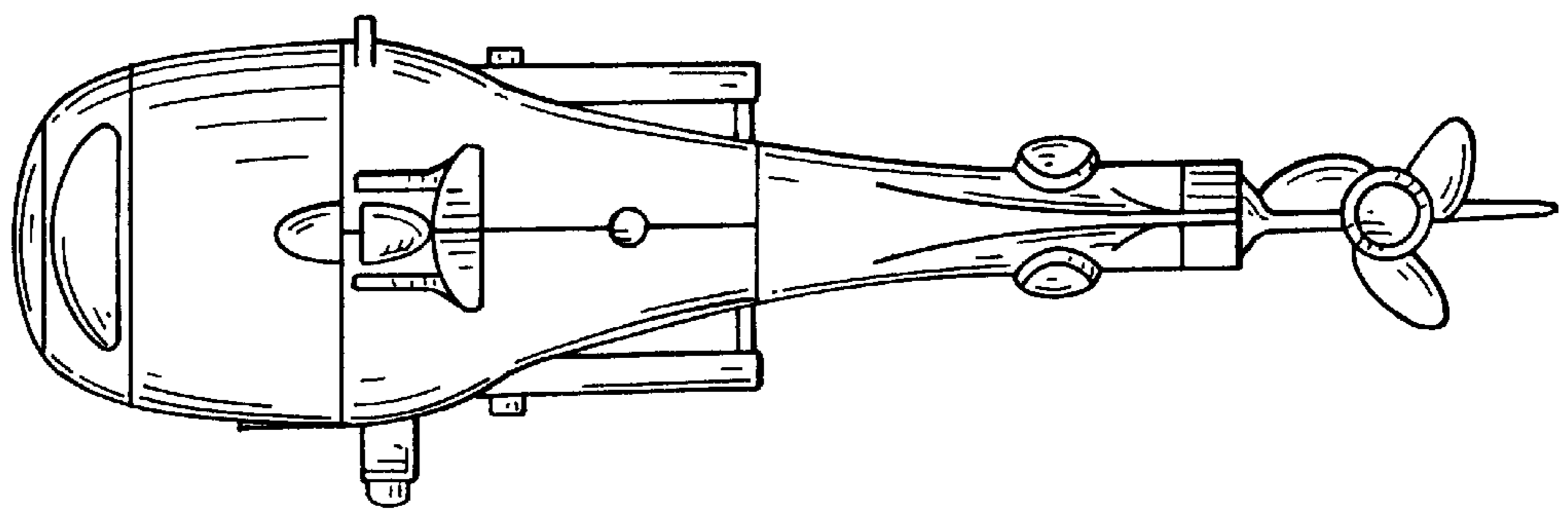


Fig. 4

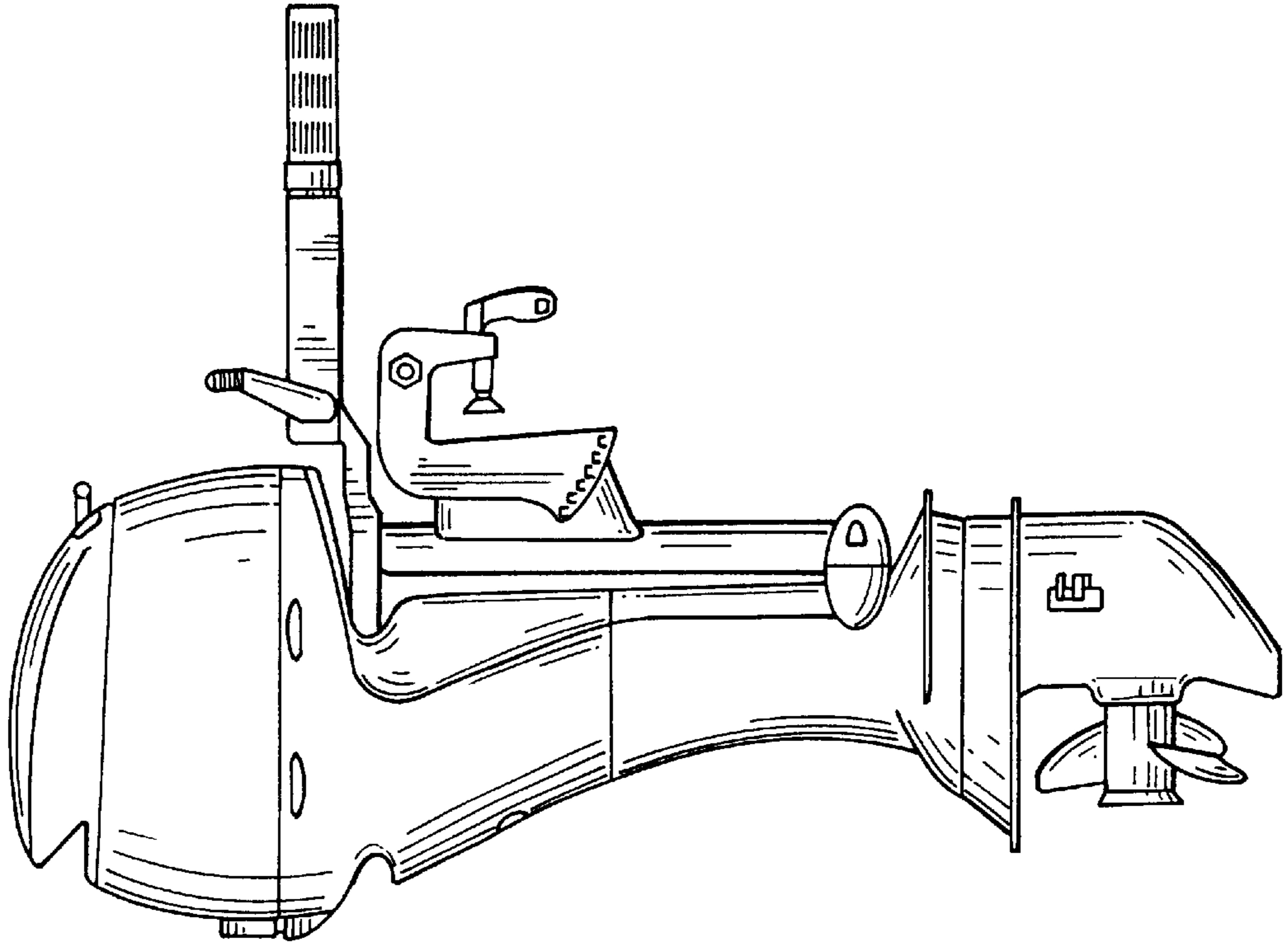


Fig. 3

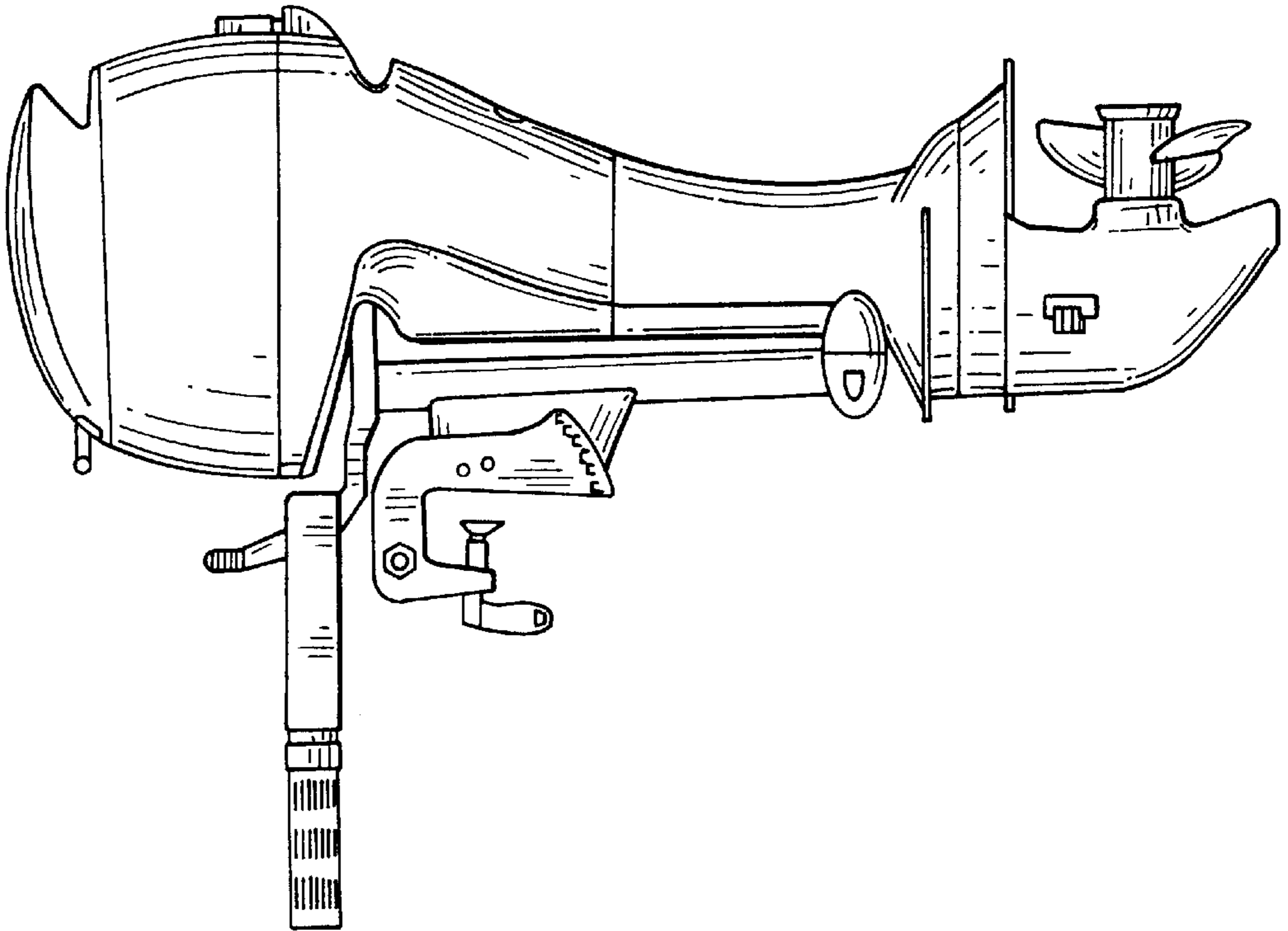


Fig. 6

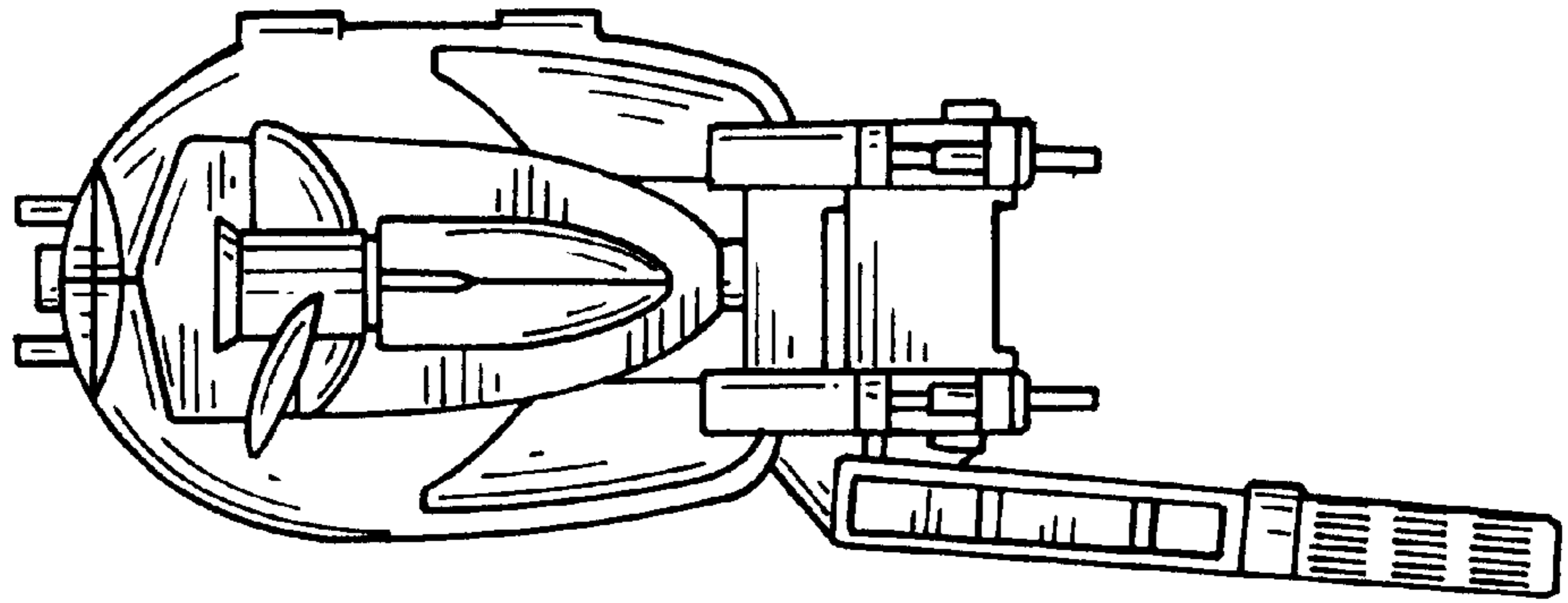
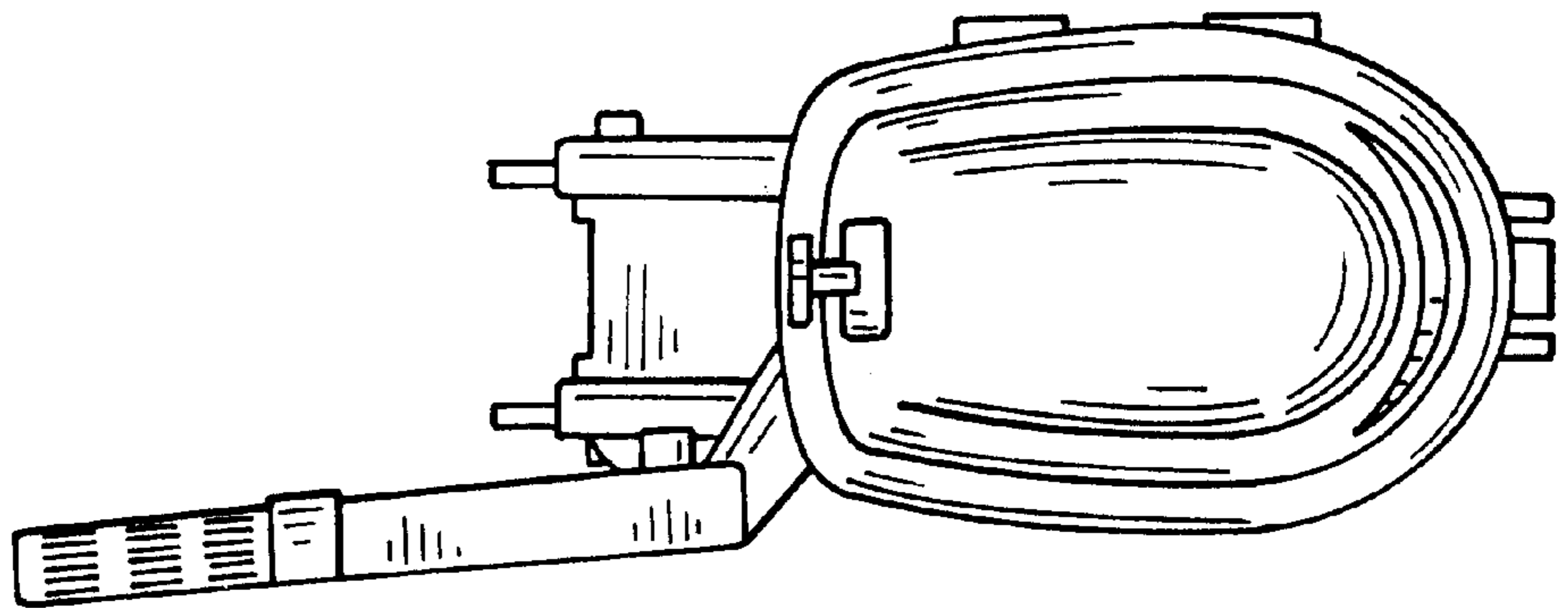


Fig. 5



*Fig. 7*

