



US00D466903S

(12) **United States Design Patent**
Chen et al.

(10) **Patent No.:** **US D466,903 S**

(45) **Date of Patent:** **** Dec. 10, 2002**

(54) **PUSH BUTTON FOR CD-ROM**

(75) Inventors: **Yun Lung Chen**, Taipei (TW); **Jung Chi Chen**, Taipei (TW)

(73) Assignee: **Hon Hai Precision Ind. Co., Ltd.**, Taipei Hsien (TW)

(**) Term: **14 Years**

(21) Appl. No.: **29/148,053**

(22) Filed: **Sep. 12, 2001**

(51) **LOC (7) Cl.** **14-99**

(52) **U.S. Cl.** **D14/483; D21/333**

(58) **Field of Search** **D14/474, 478, D14/483; D21/333; 360/135, 137; 369/272, 292; 206/307, 308.1; 273/148 B; 463/40-45, 47**

(56) **References Cited**

U.S. PATENT DOCUMENTS

- 4,450,495 A * 5/1984 Naruki 360/137
- 4,541,027 A * 9/1985 Danielsen 360/137
- 5,062,013 A * 10/1991 Gotoh 360/137

- 5,343,219 A * 8/1994 DuBosque, Jr. 273/148 B
- 5,862,027 A * 1/1999 Lee 360/137
- D411,587 S * 6/1999 Beyer D21/333
- D430,223 S * 8/2000 Goto D21/333
- D431,606 S * 10/2000 Shimomura et al. D21/333
- 6,359,614 B1 * 3/2002 McVicar 273/148 B

* cited by examiner

Primary Examiner—Prabhakar Deshmukh

(74) *Attorney, Agent, or Firm*—Wei Te Chung

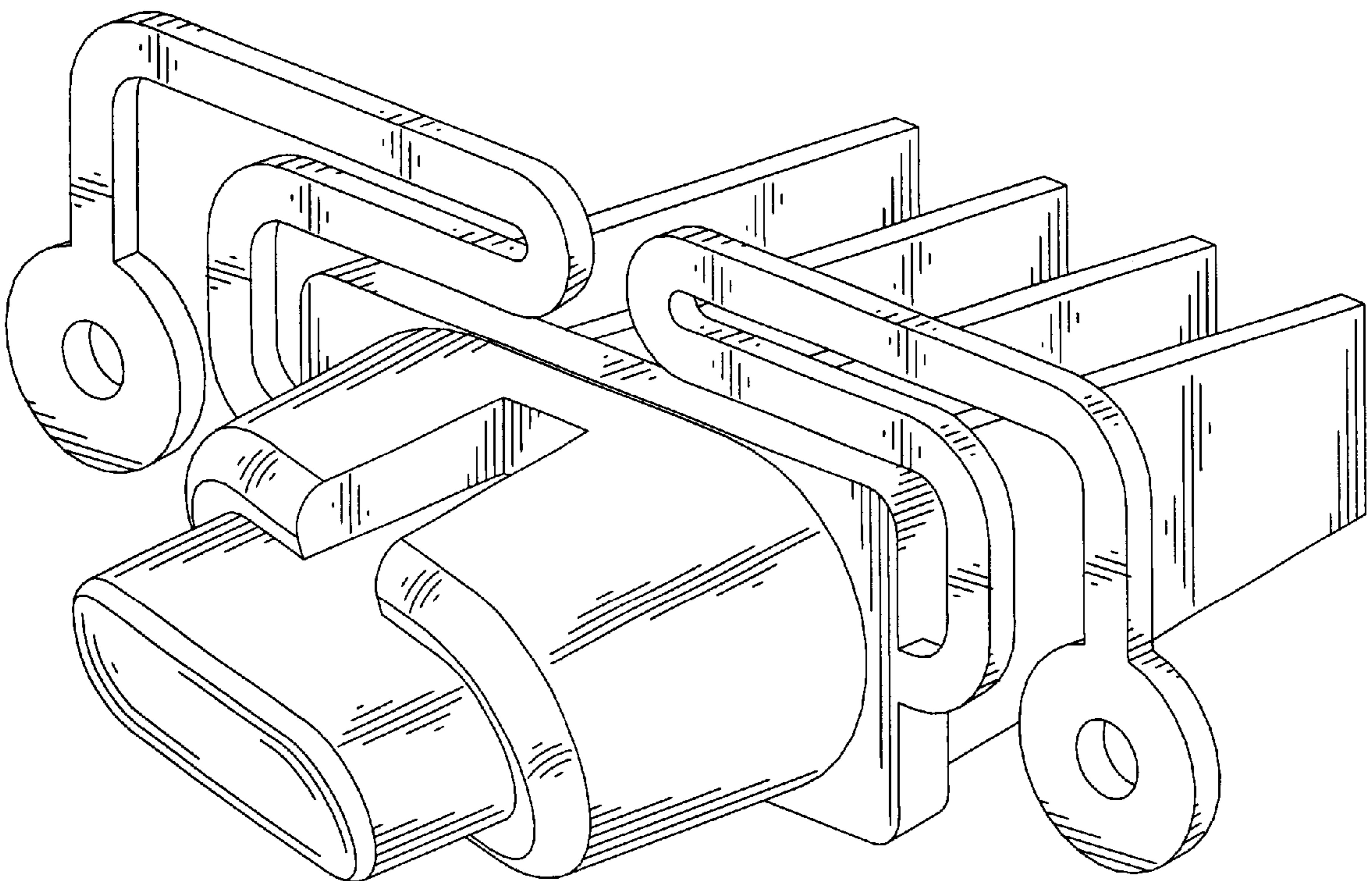
(57) **CLAIM**

The ornamental design for a push button for CD-ROM, as shown.

DESCRIPTION

FIG. 1 is a perspective view of a push button for CD-ROM of our new design;
 FIG. 2 is a front elevational view thereof;
 FIG. 3 is a rear elevational view thereof;
 FIG. 4 is a left side elevational view thereof;
 FIG. 5 is a right side elevational view thereof;
 FIG. 6 is a top plan view thereof; and,
 FIG. 7 is a bottom plan view thereof.

1 Claim, 5 Drawing Sheets



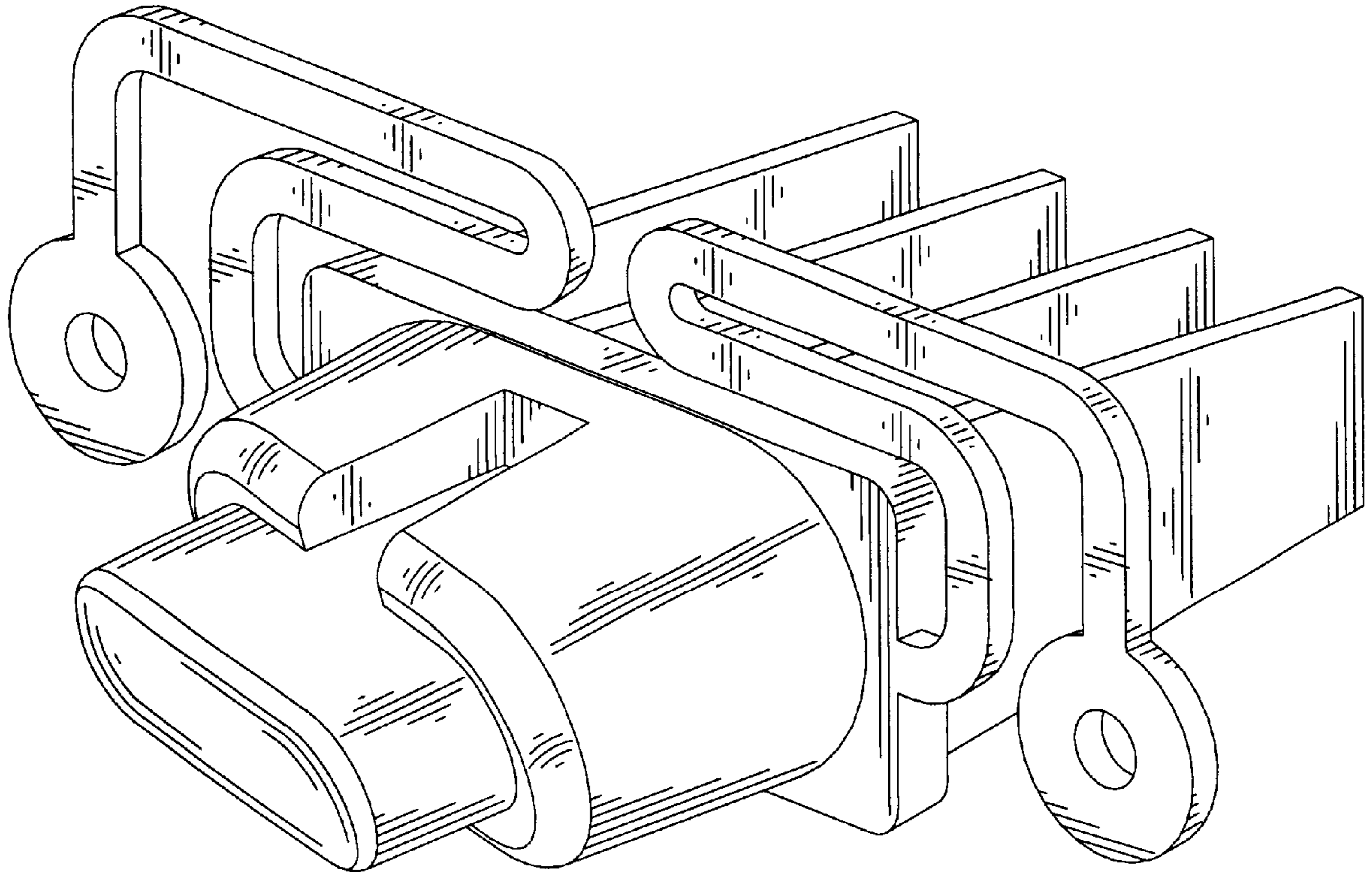


FIG. 1

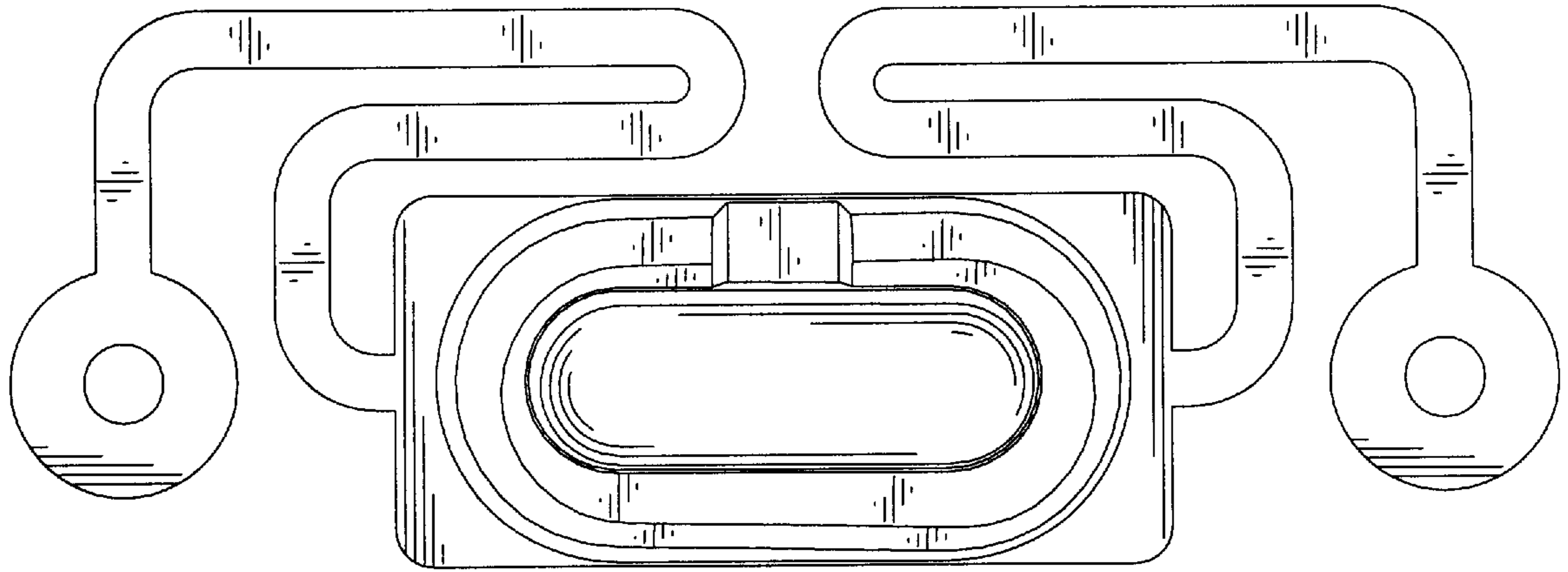


FIG. 2

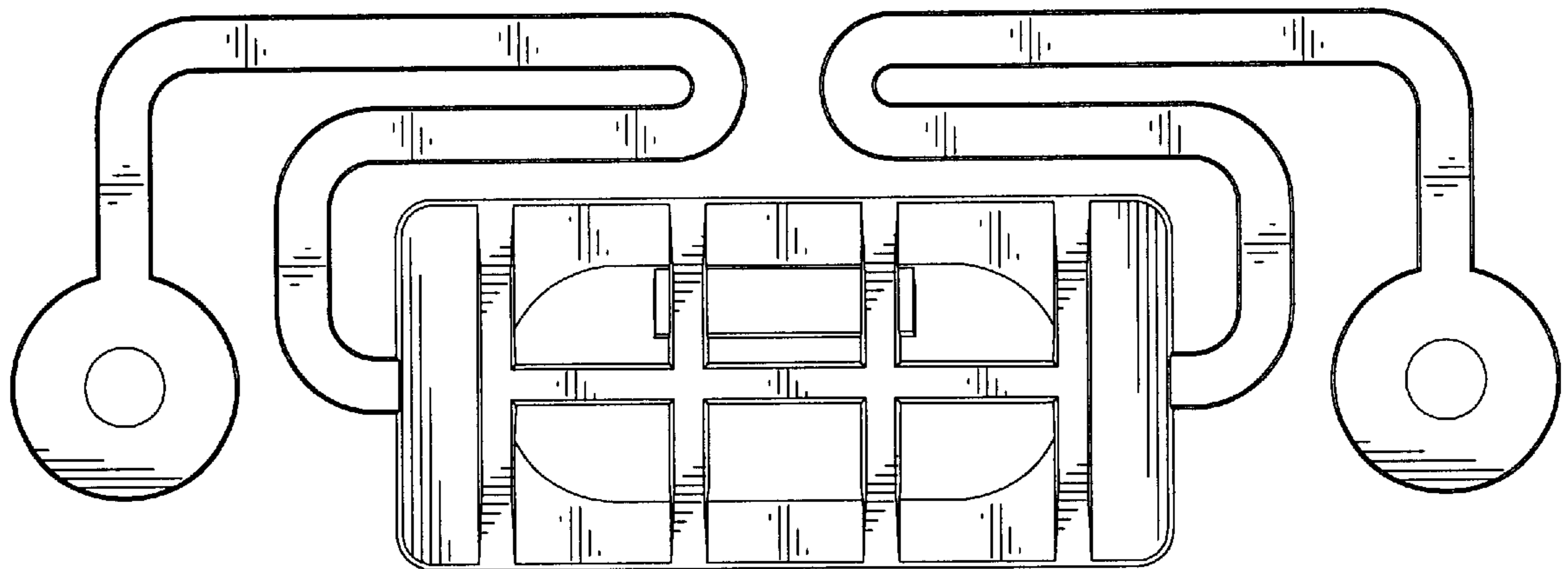


FIG. 3

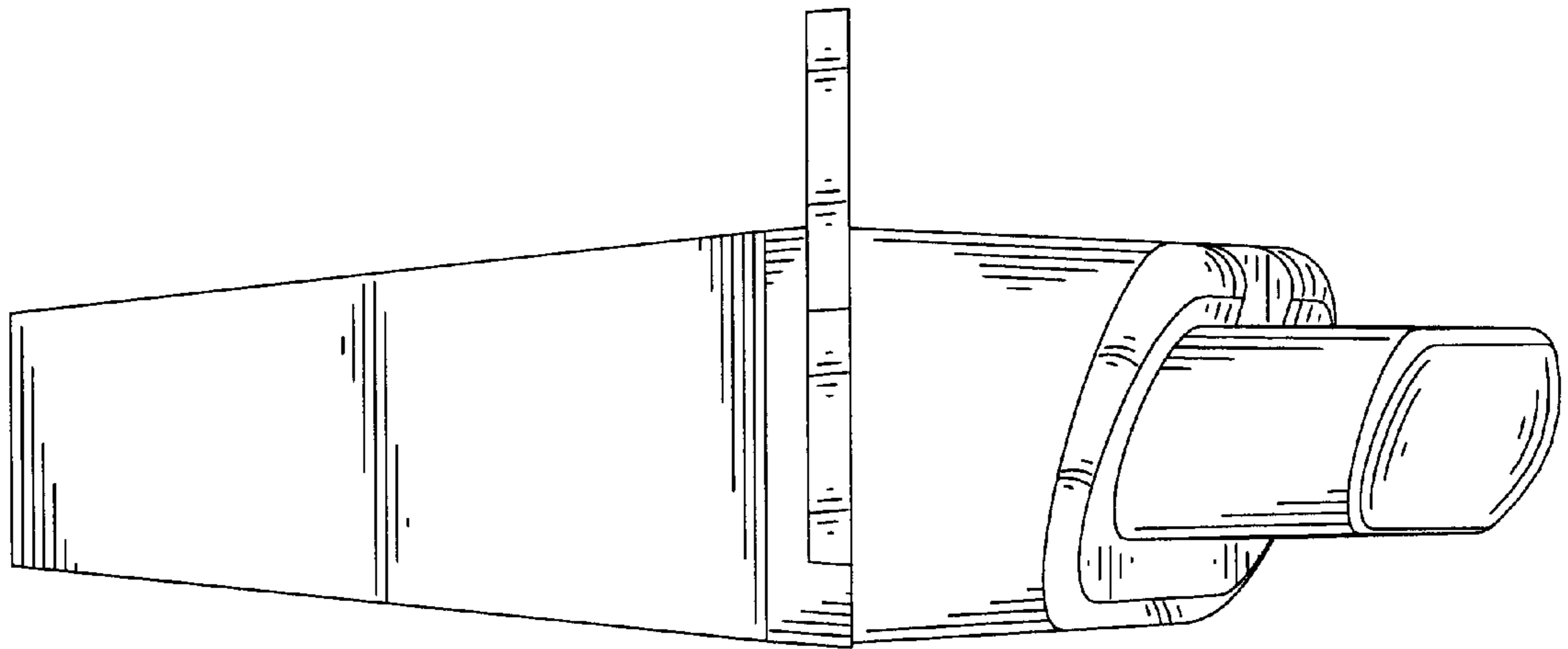


FIG. 4

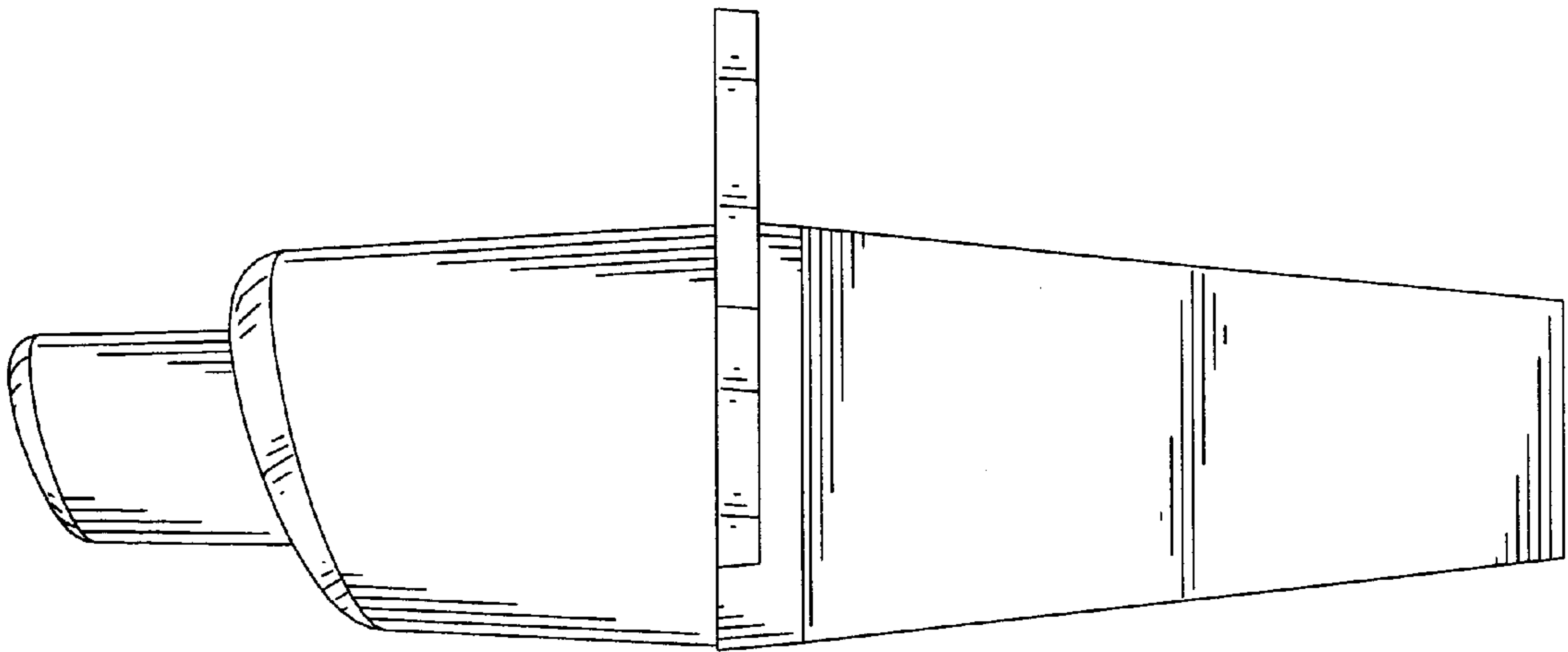


FIG. 5

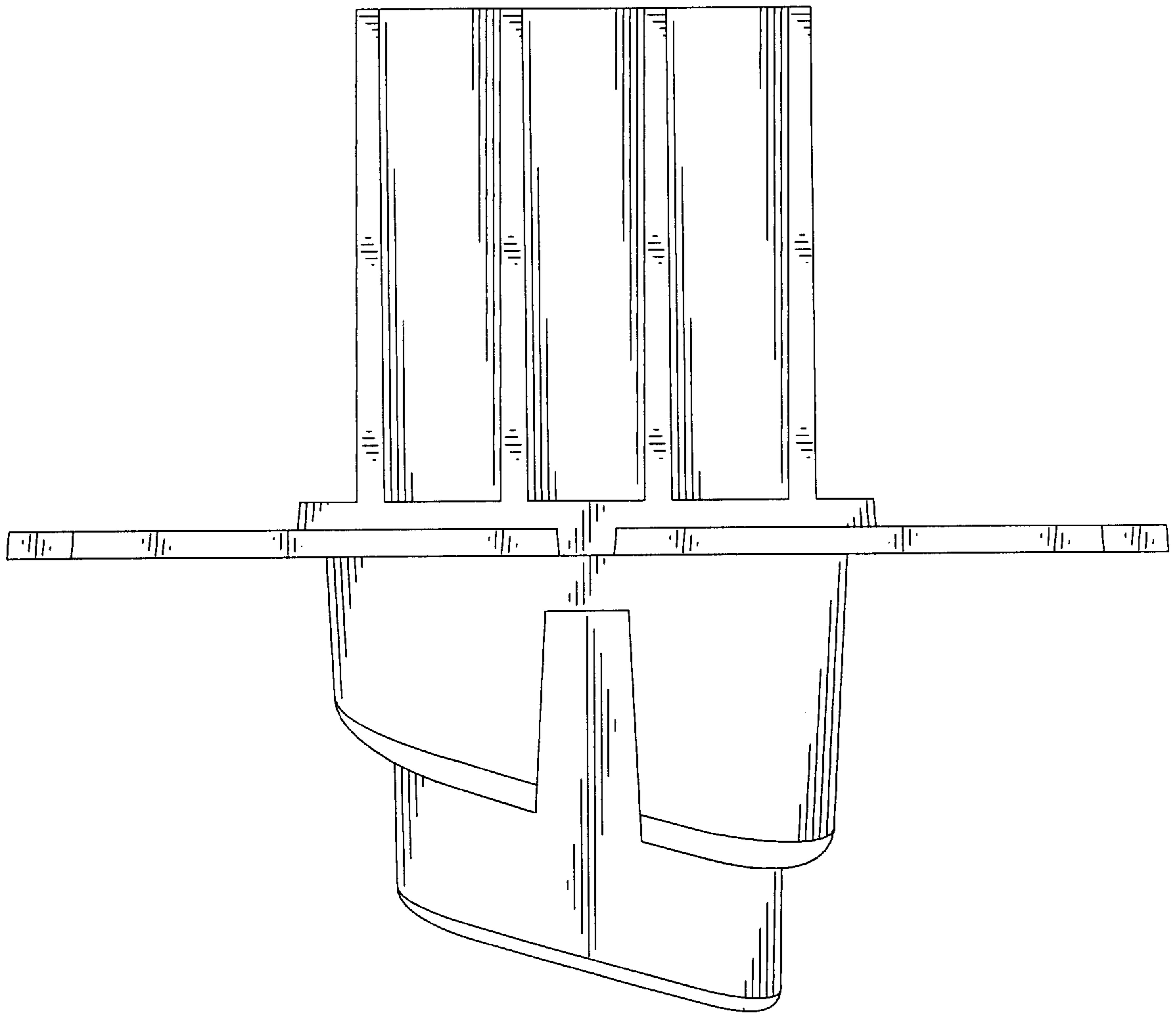


FIG. 6

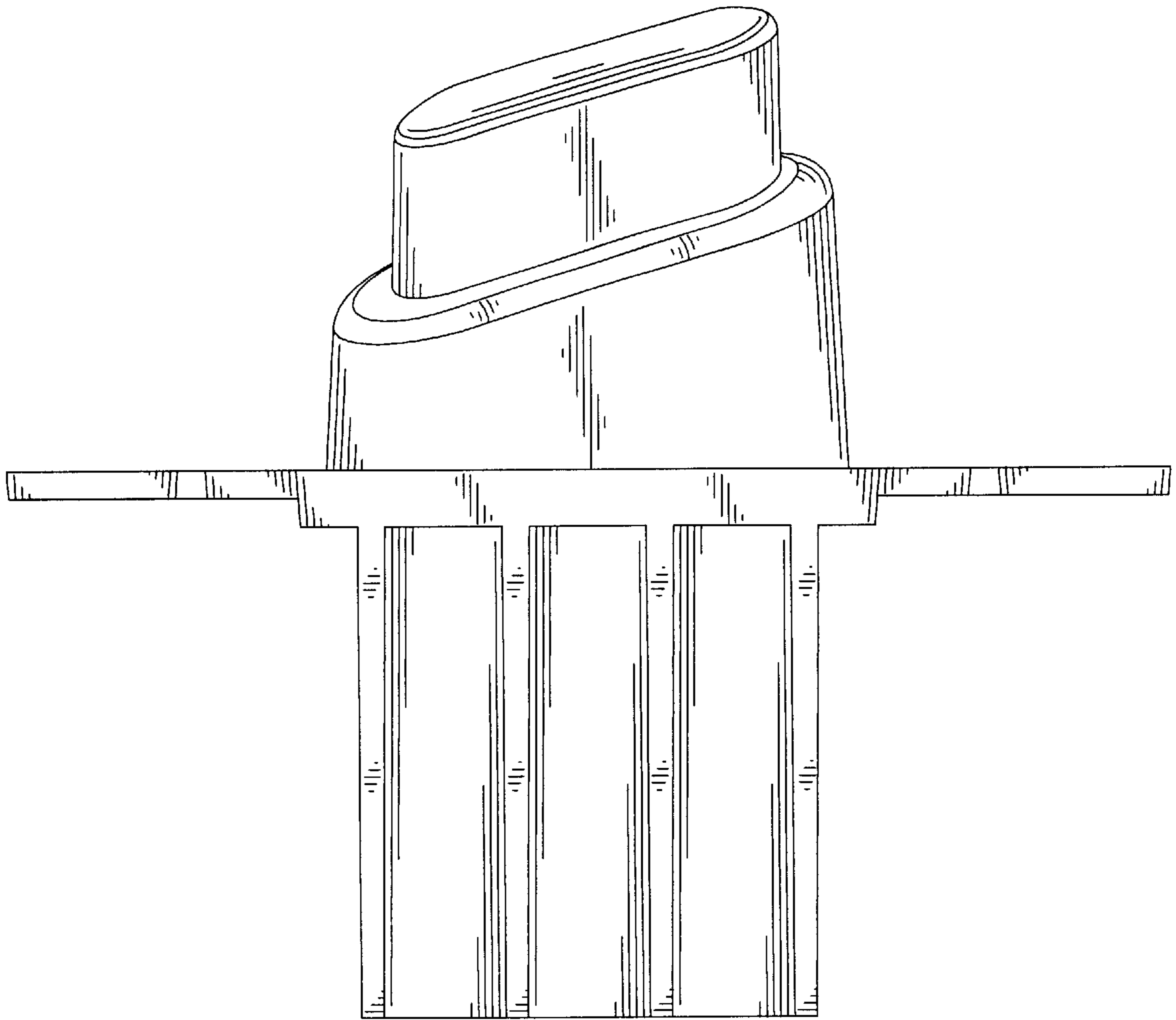


FIG .7